

[54] **HAND SAW**  
[75] **Inventor: Sture Backman, Bollnas, Sweden**  
[73] **Assignee: Sandvik Aktiebolag, Sandviken, Sweden**  
[\*\*] **Term: 14 Years**  
[21] **Appl. No.: 186,214**  
[22] **Filed: Apr. 26, 1988**

[30] **Foreign Application Priority Data**

Oct. 26, 1987 [SE] Sweden ..... 87-2431  
[52] **U.S. Cl. .... D8/95**  
[58] **Field of Search .... D8/95-100, D8/107; 30/166.3, 506, 507, 509, 513-521**

[56] **References Cited**

**U.S. PATENT DOCUMENTS**

135,628 2/1873 Clemson ..... 30/519  
691,237 1/1902 Buell ..... 30/520  
1,675,565 7/1928 Lee ..... 30/166.3  
4,180,110 12/1979 Tauscher ..... 30/166.3  
4,248,284 2/1981 Tomosada ..... 30/166.3

4,404,748 9/1983 Wiethoff ..... 30/161

**FOREIGN PATENT DOCUMENTS**

1169428 11/1969 United Kingdom ..... 30/166.3

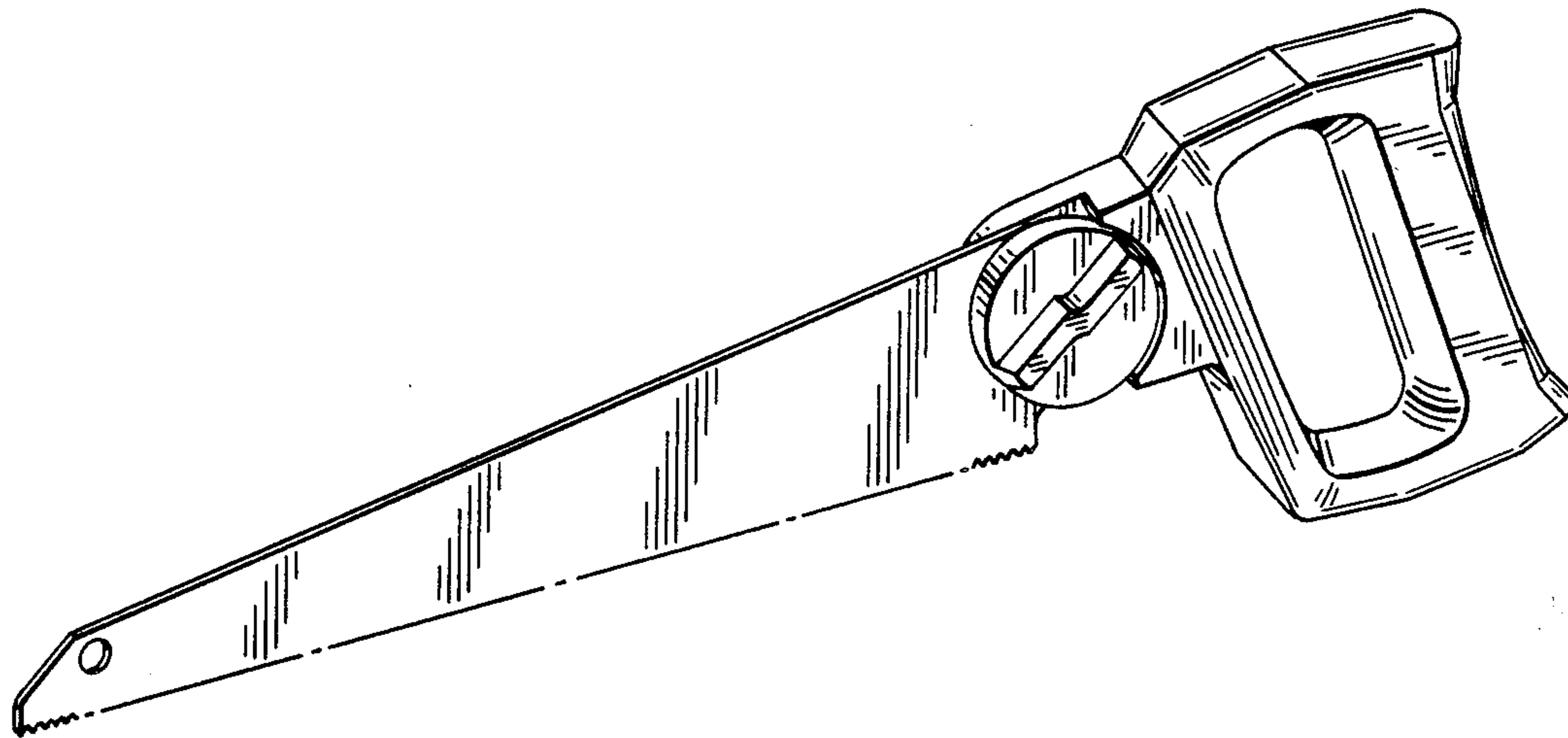
*Primary Examiner*—Bruce W. Dunkins  
*Assistant Examiner*—Clare E. Heflin  
*Attorney, Agent, or Firm*—Burns, Doane, Swecker & Mathis

[57] **CLAIM**

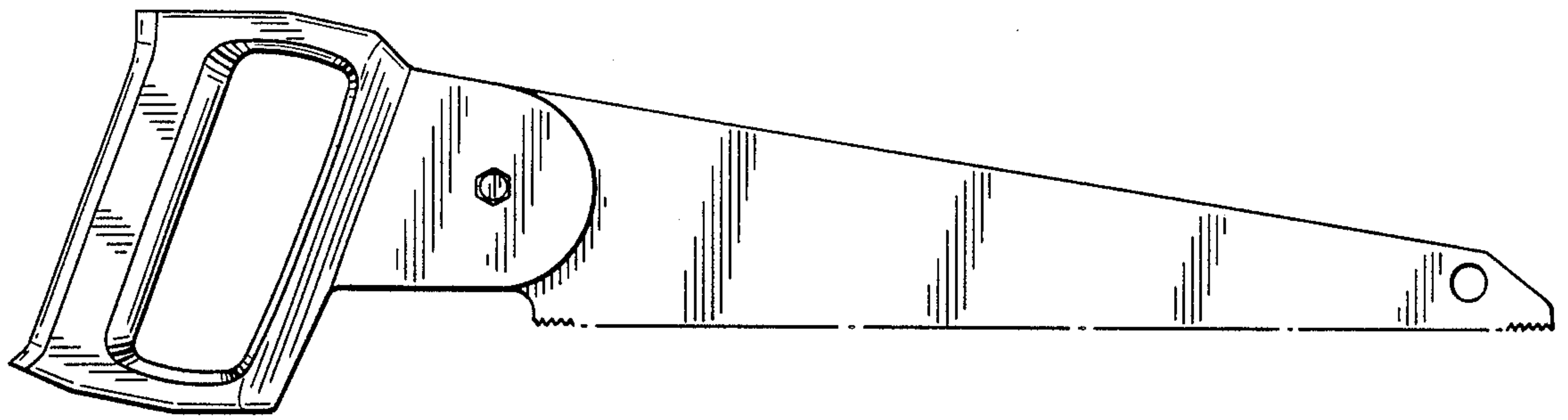
The ornamental design for a hand saw, as shown and described.

**DESCRIPTION**

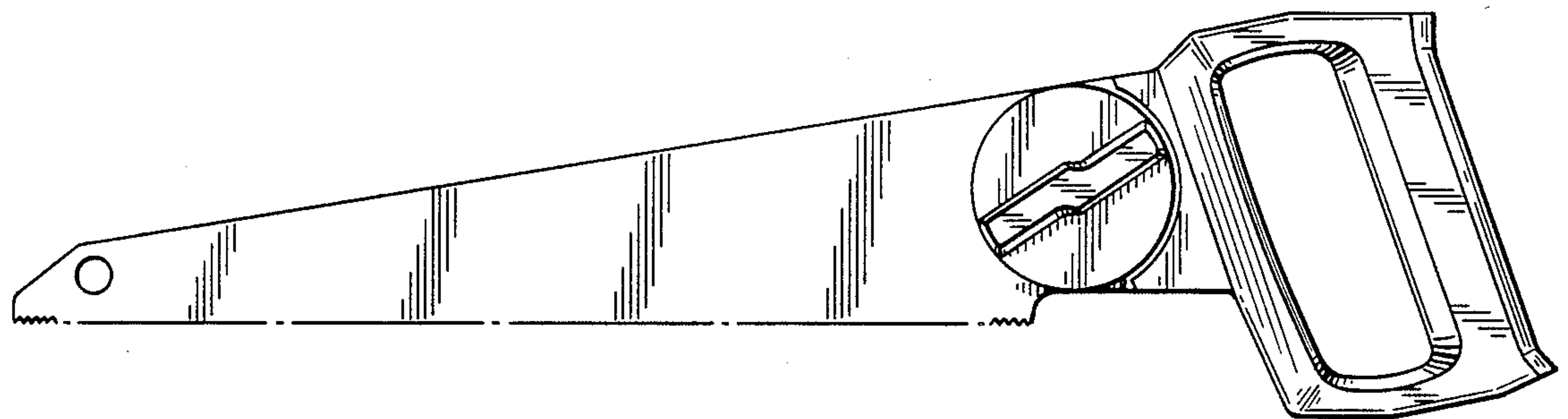
FIG. 1 is a right side elevational view of a handsaw showing my new design with a portion of the cutting edge being shown in broken lines for ease of illustration only.  
FIG. 2 is a left side elevational view thereof;  
FIG. 3 is a top, front and left side perspective view thereof;  
FIG. 4 is a bottom, front and right side perspective view thereof; and  
FIG. 5 is a rear elevational view thereof.



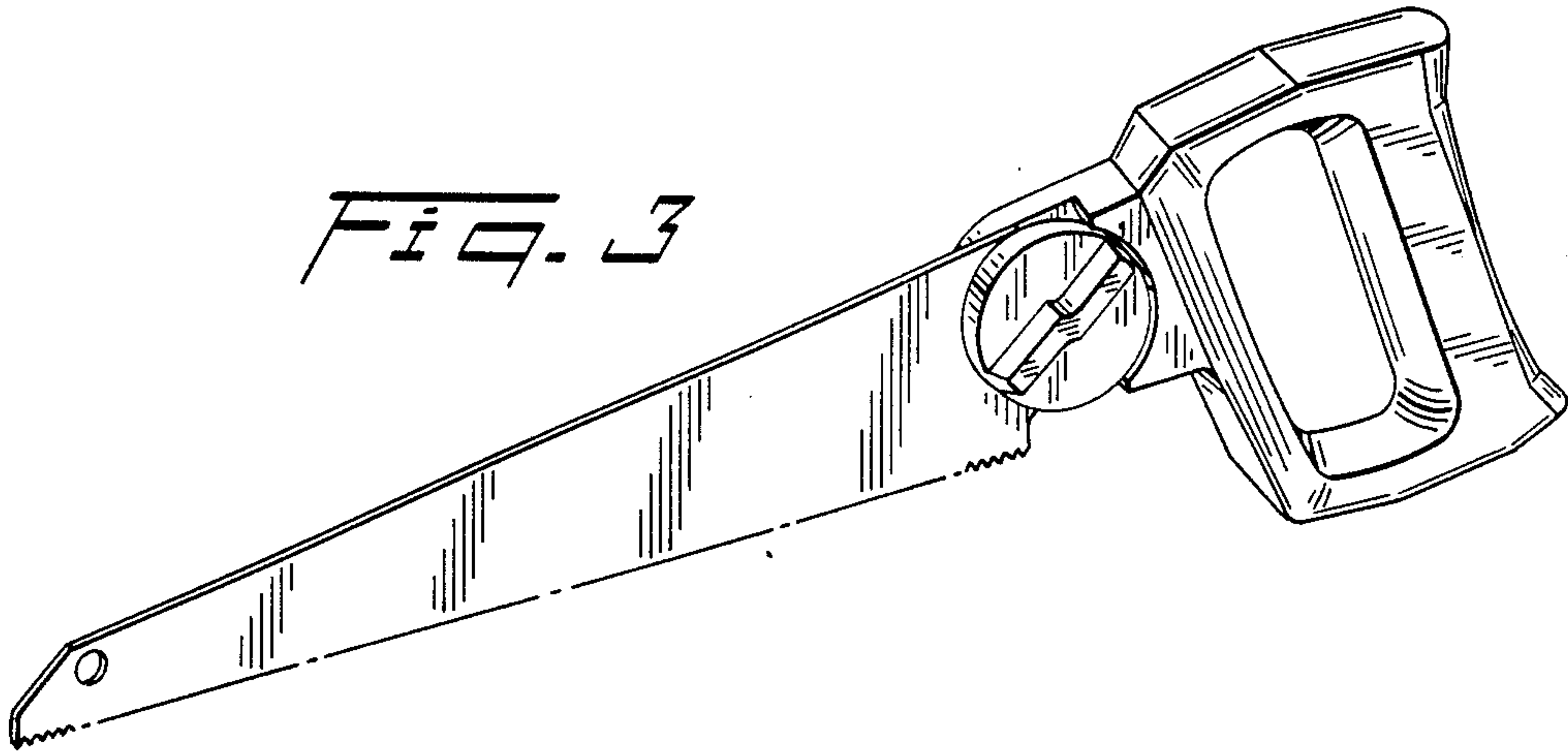
*Fig. 1*



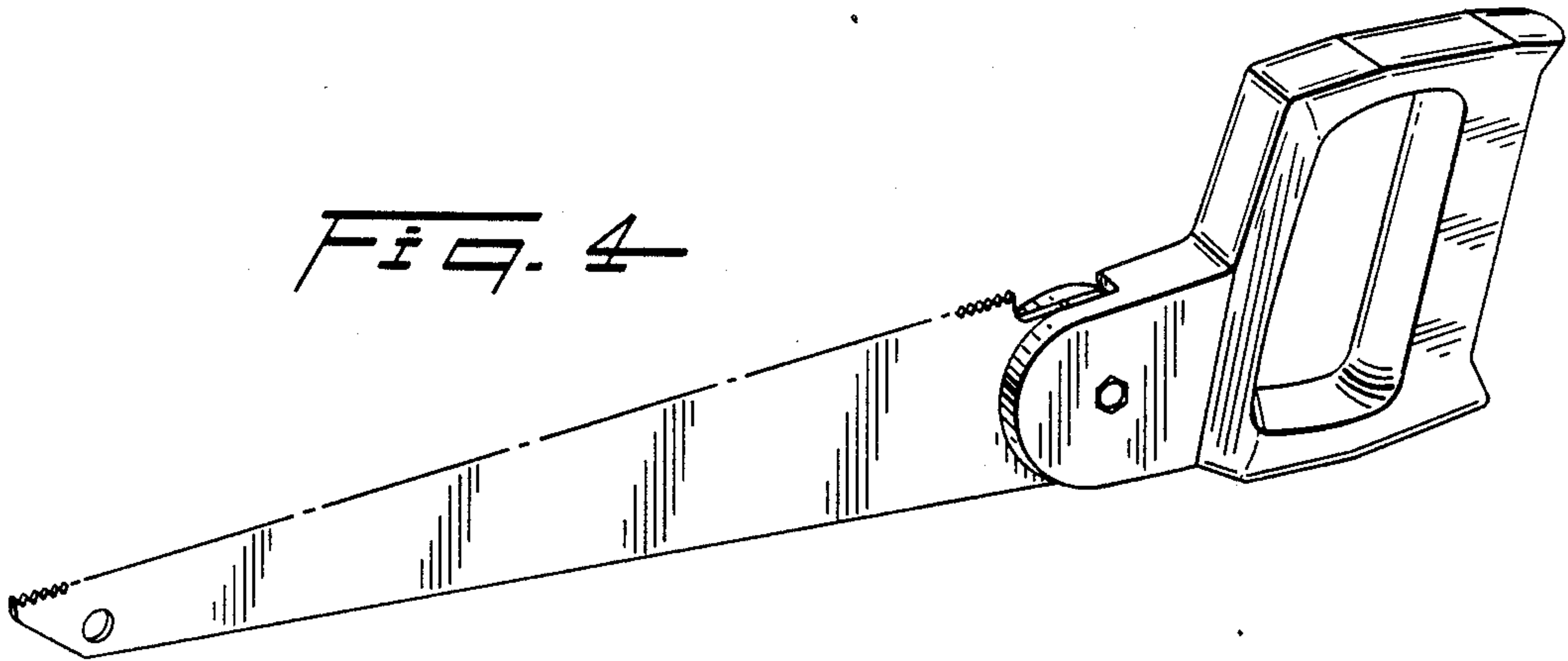
*Fig. 2*



*FIG. 3*



*FIG. 4*



*FIG. 5*