

[54] CONDIMENT SET

2,539,600 1/1951 Waits 211/74
2,747,777 5/1956 Friend 222/142.6 X

[75] Inventor: Ambrogio Rossari, Milan, Italy

Primary Examiner—Bernard Ansher
Assistant Examiner—Terry A. Pfeffer
Attorney, Agent, or Firm—Hedman, Gibson, Costigan & Hoare

[73] Assignee: Fratelli Guzzini S.p.A., Recanati, Italy

[**] Term: 14 Years

[21] Appl. No.: 81,281

[57] CLAIM

The ornamental design for a condiment set, as shown and described.

[22] Filed: Aug. 3, 1987

[30] Foreign Application Priority Data

DESCRIPTION

Feb. 4, 1987 [IT] Italy 20732/87[U]

[52] U.S. Cl. D7/590

[58] Field of Search D7/52, 2; D6/457, 469;
206/562-564; 222/142.1-142.9; 211/74, 77-78;
D9/359, 366, 367, 447, 455

FIG. 1 is a top perspective view of a condiment set showing my new design;
FIG. 2 is an exploded top perspective view thereof;
FIG. 3 is a side elevational view thereof taken in the direction of arrow 3 on FIG. 1;
FIG. 4 is a side elevational view thereof taken in the direction of arrow 4 on FIG. 1;
FIG. 5 is a top plan view thereof; and
FIG. 6 is a bottom plan view thereof.

[56] References Cited

U.S. PATENT DOCUMENTS

1,878,302 9/1932 Tourtois 211/77

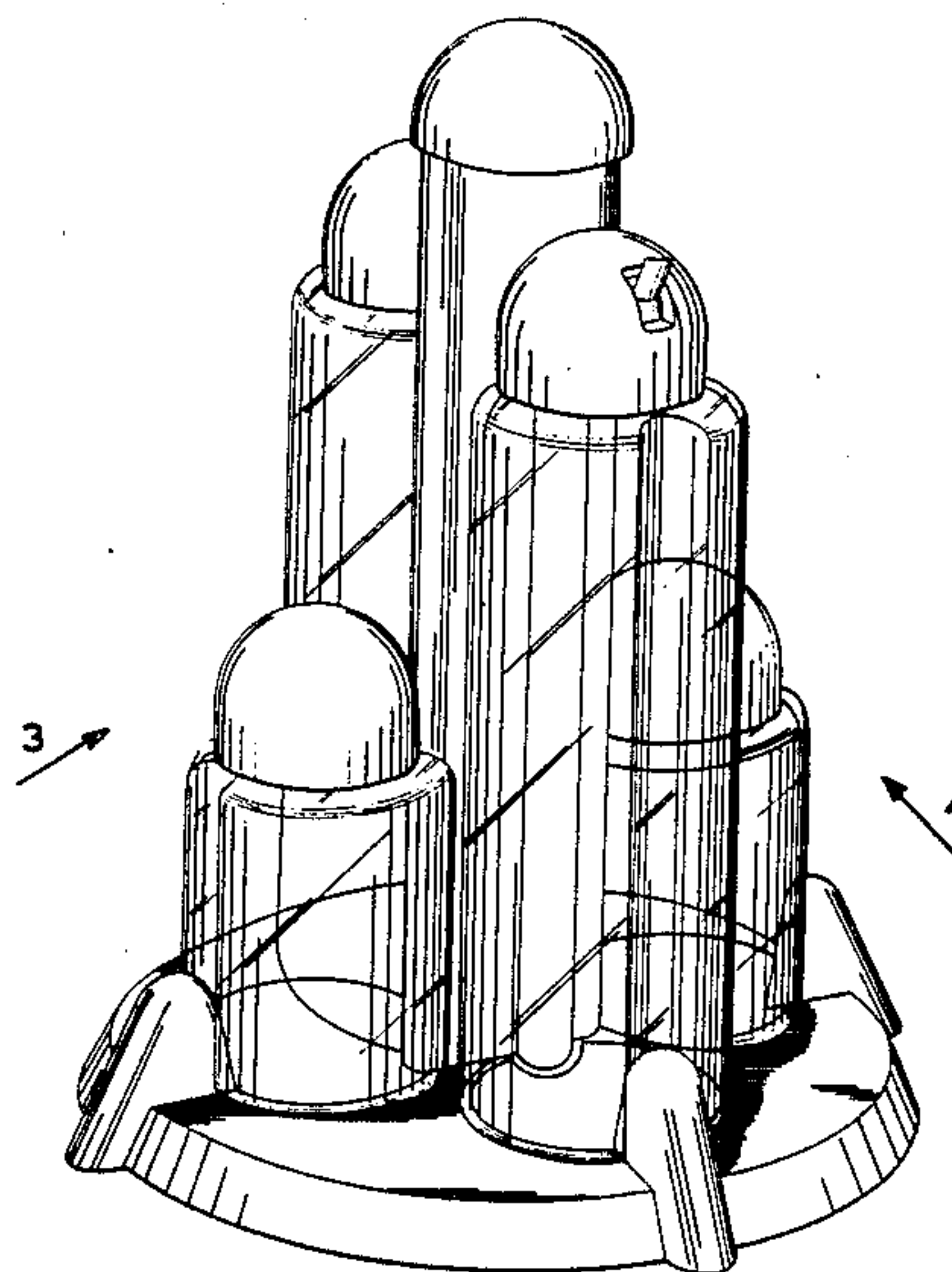
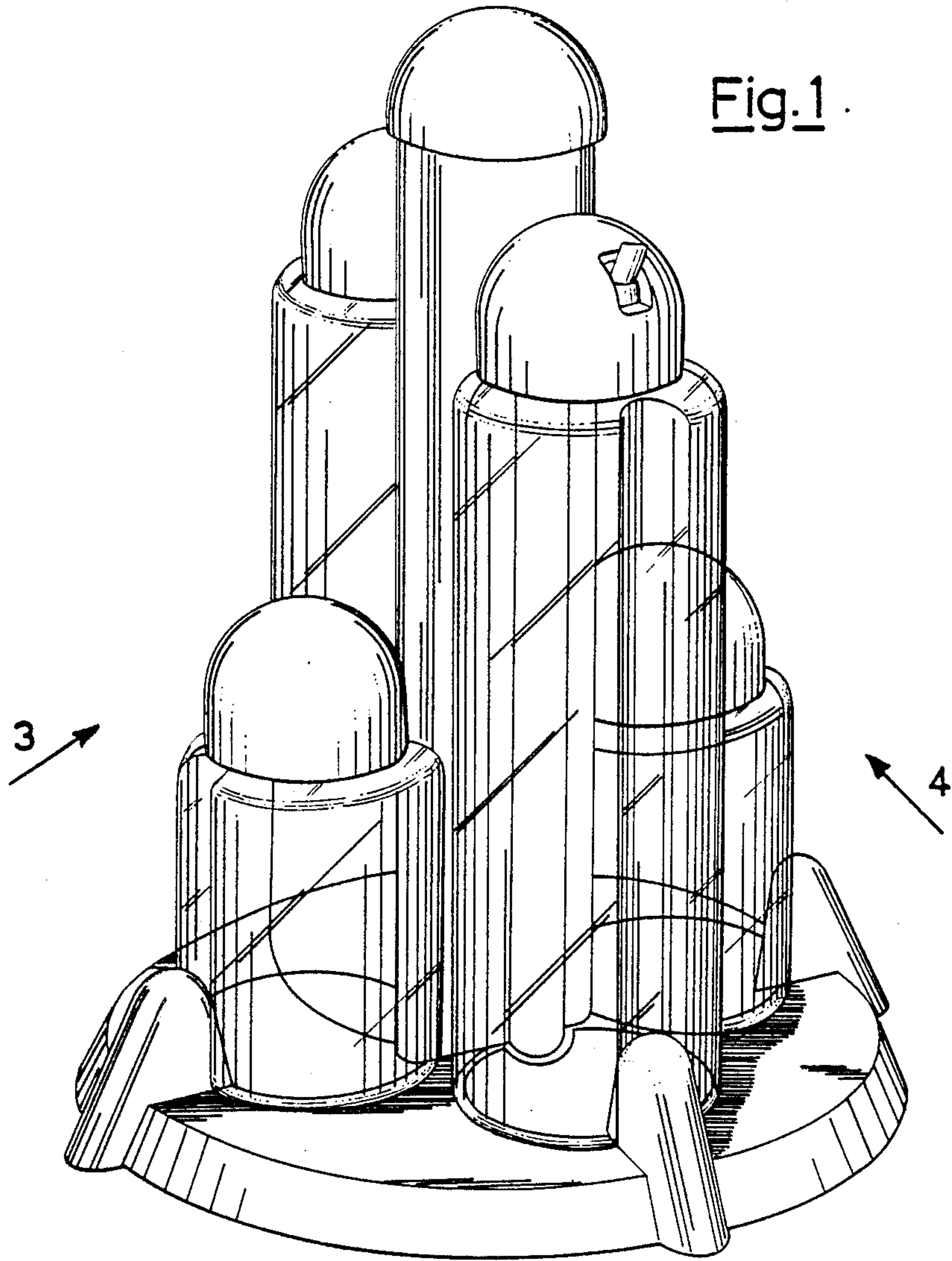
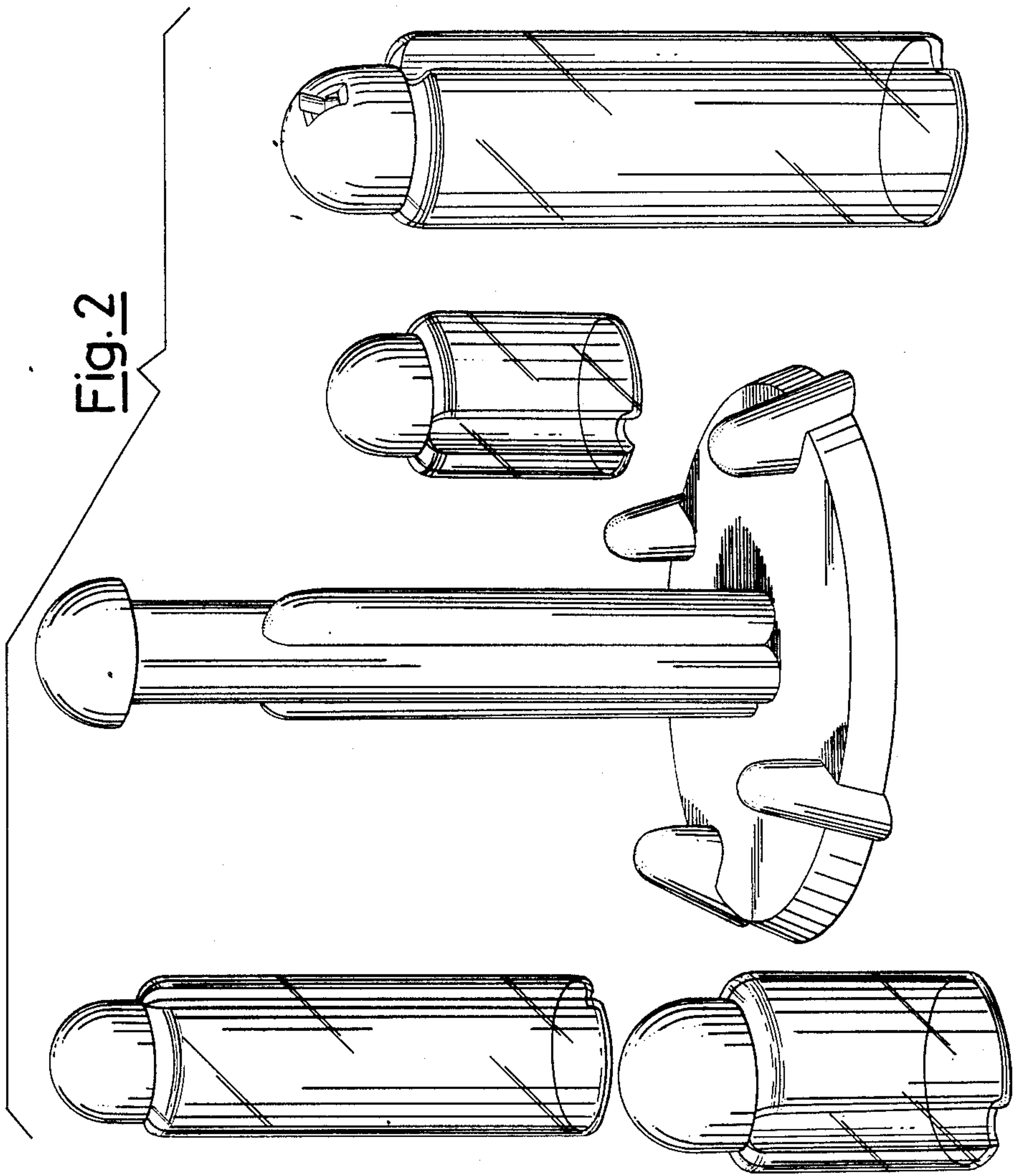


Fig. 1.





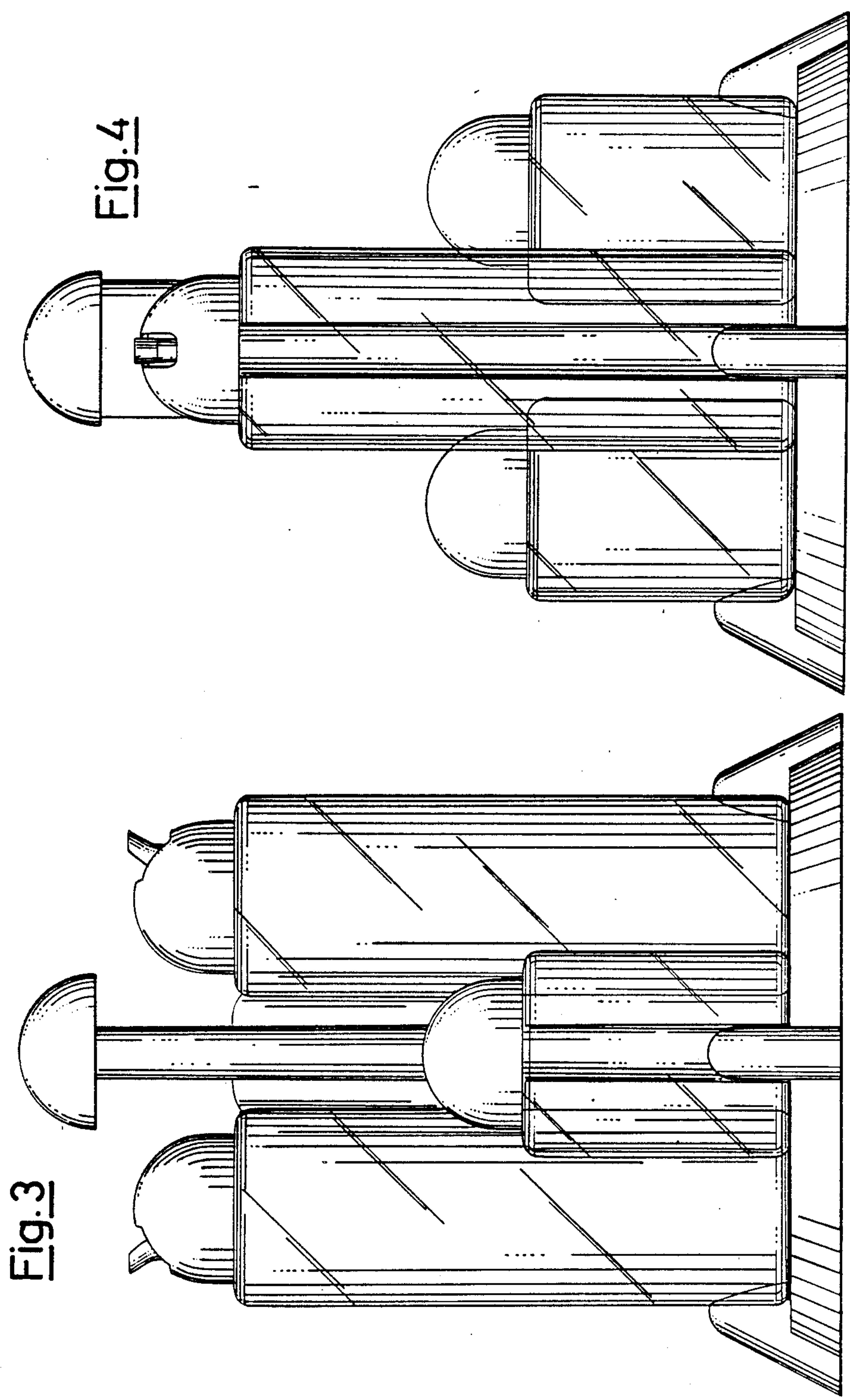


Fig.5

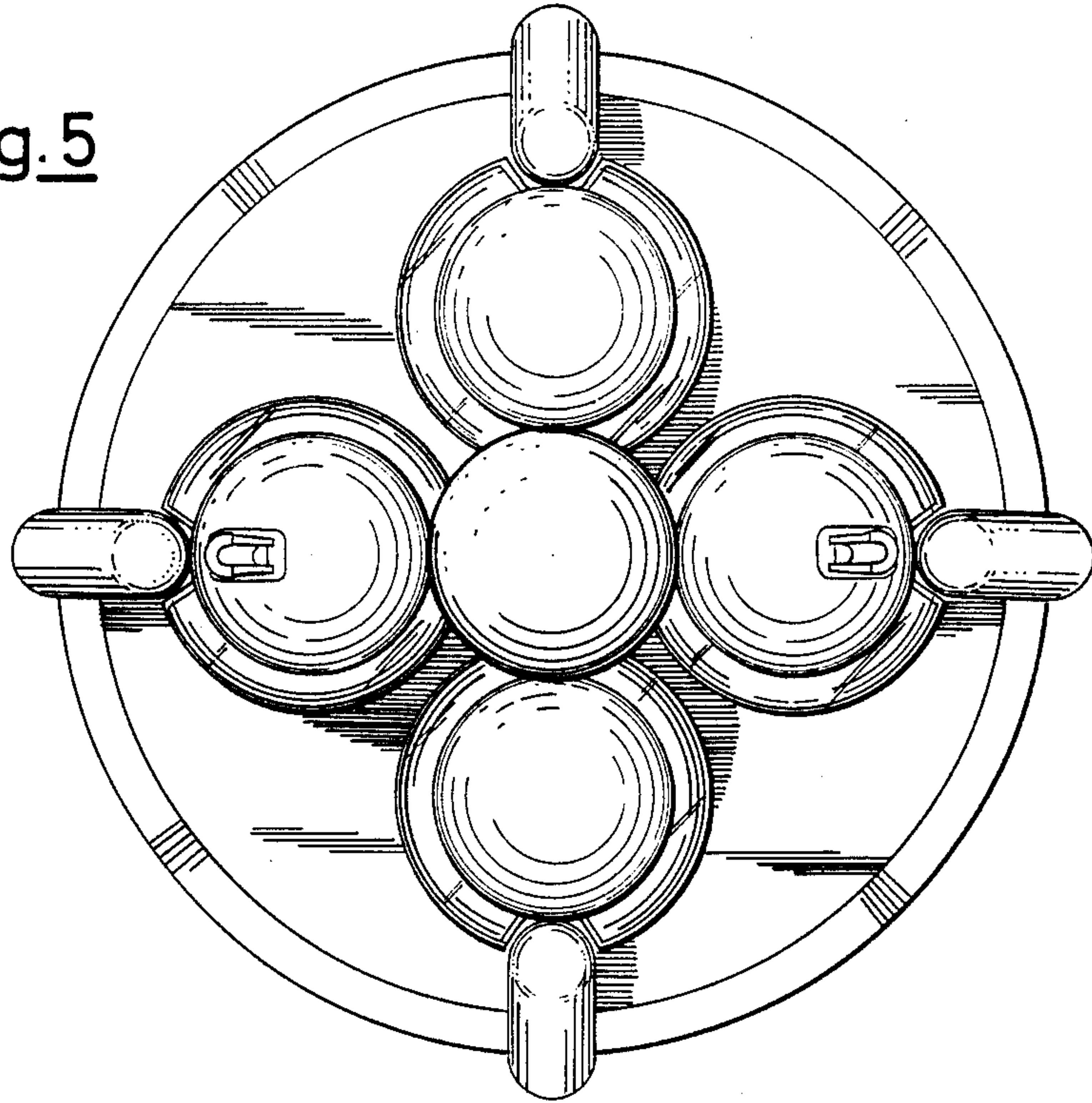


Fig.6

