

United States Patent [19]

Bergen et al.

[11] Patent Number: **Des. 310,311**

[45] Date of Patent: **** Sep. 4, 1990**

[54] **SUNSHADE ATTACHMENT FOR A CHAIR OR SIMILAR ARTICLE**

[76] Inventors: **Melody A. Bergen; David A. Bergen,** both of 14101 La Mesa Ct., Tampa, Fla. 33625

[**] Term: **14 Years**

[21] Appl. No.: **47,253**

[22] Filed: **May 7, 1987**

[52] U.S. Cl. **D6/500; D6/333**

[58] Field of Search **D6/500, 333**

[56] **References Cited**

U.S. PATENT DOCUMENTS

D. 261,843 11/1981 Wall D6/335 X
D. 285,155 8/1986 Allen D6/500
3,162,206 12/1964 Betts 297/184 X
3,879,086 4/1975 Mocerri 297/184

4,082,102 4/1978 Hever 297/184 X
4,300,798 11/1981 Musgrove et al. D6/335 X
4,865,380 9/1989 Heitzman-Powell et al. 297/184

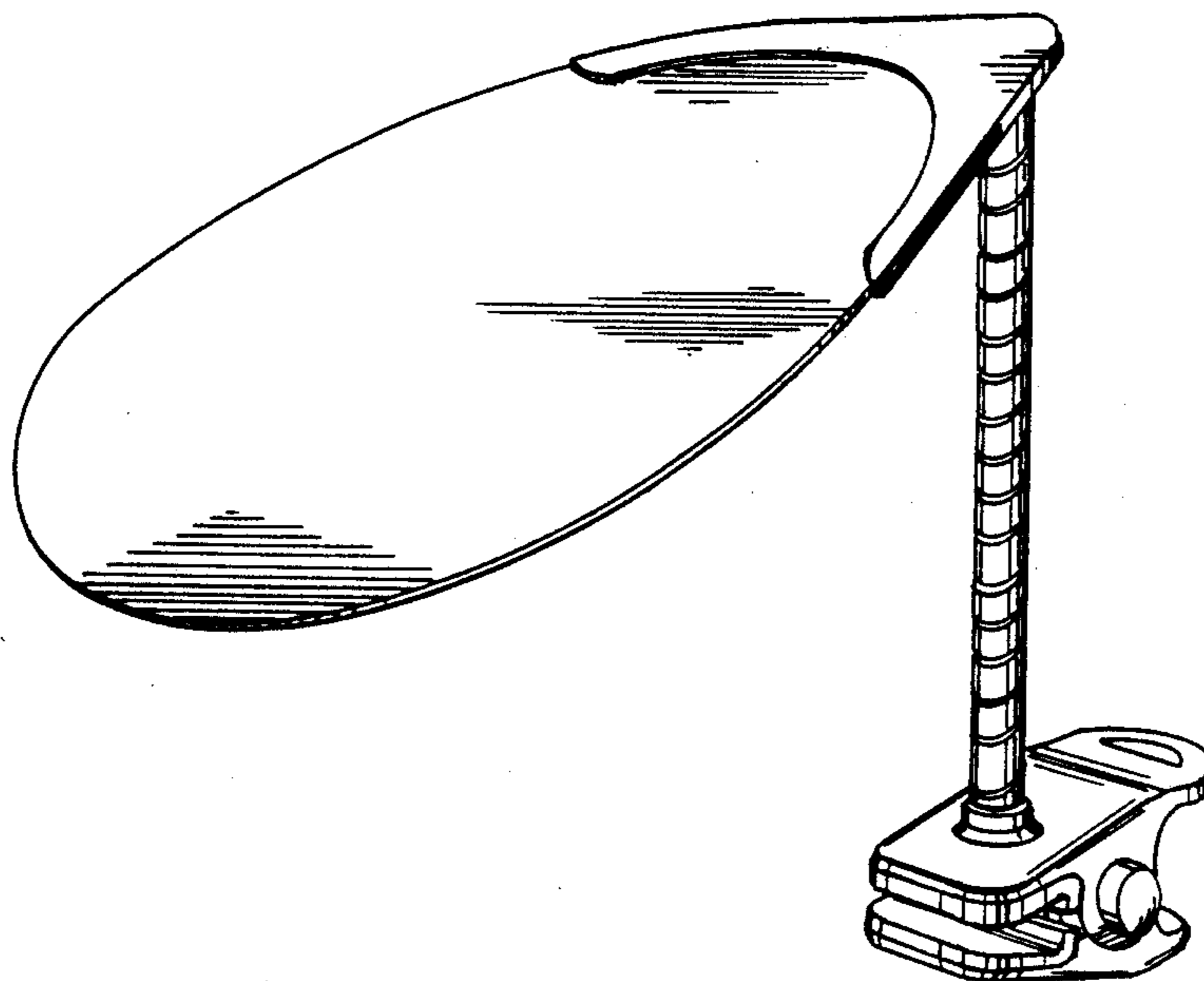
Primary Examiner—Bruce W. Dunkins
Assistant Examiner—Janice Seeger
Attorney, Agent, or Firm—Notaro & Michalos

[57] **CLAIM**

The ornamental design for a sunshade attachment for a chair or similar article, as shown and described.

DESCRIPTION

FIG. 1 is a perspective view of a sunshade attachment for a chair or similar article, showing my new design; FIG. 2 is a top plan view; FIG. 3 is a side elevational view the opposite side being a mirror image thereof; FIG. 4 is a bottom plan view; and FIG. 5 is a rear elevational view thereof.



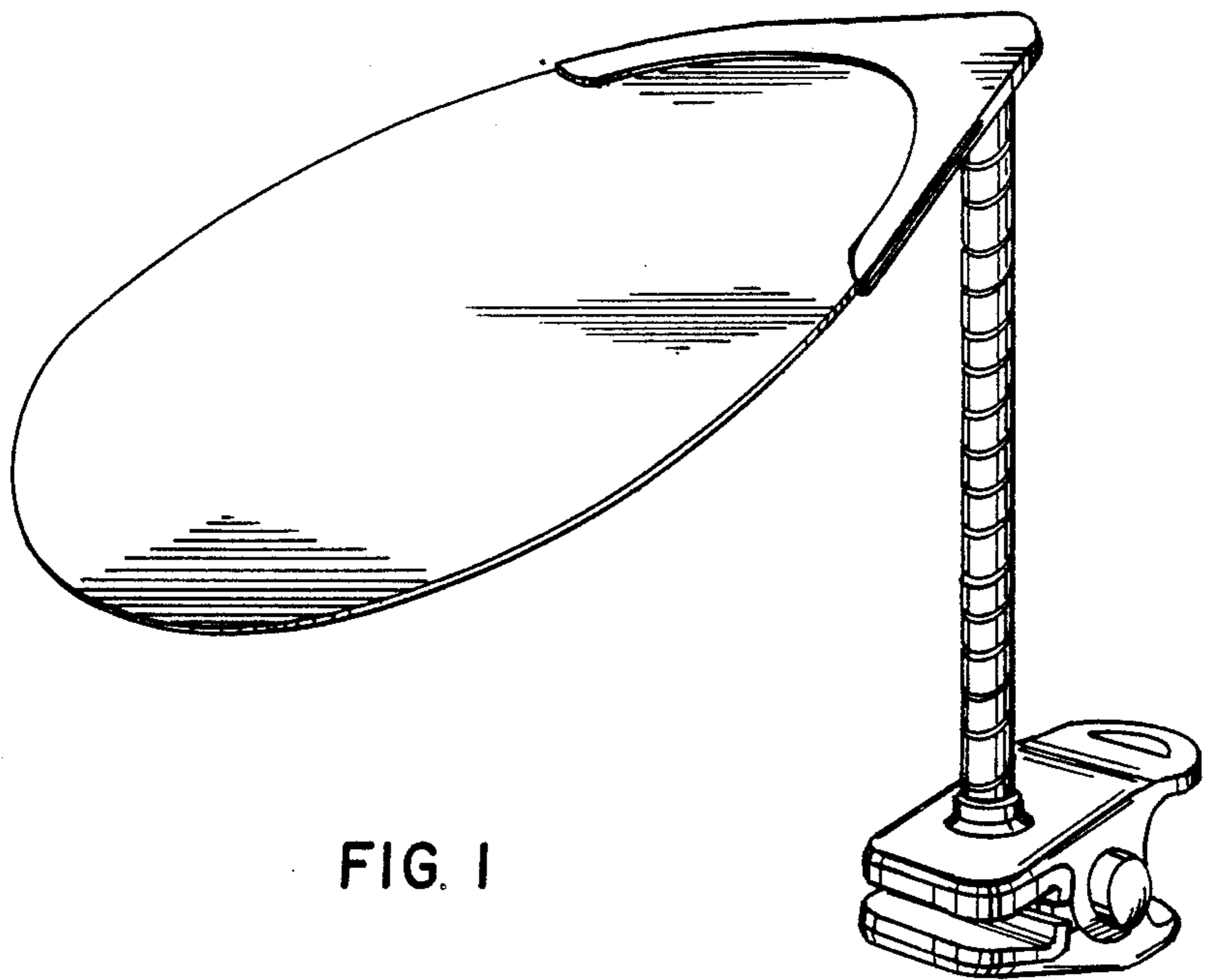


FIG. 1

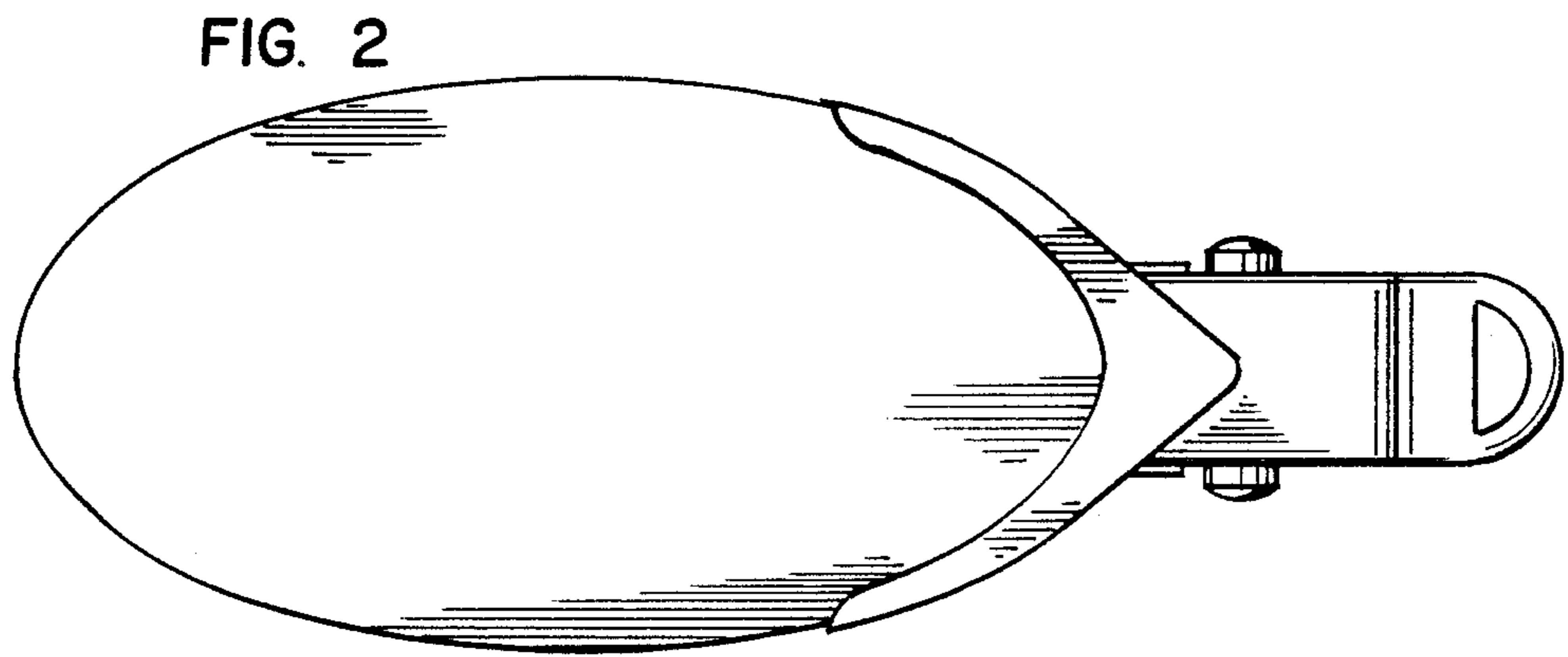


FIG. 2

FIG. 3

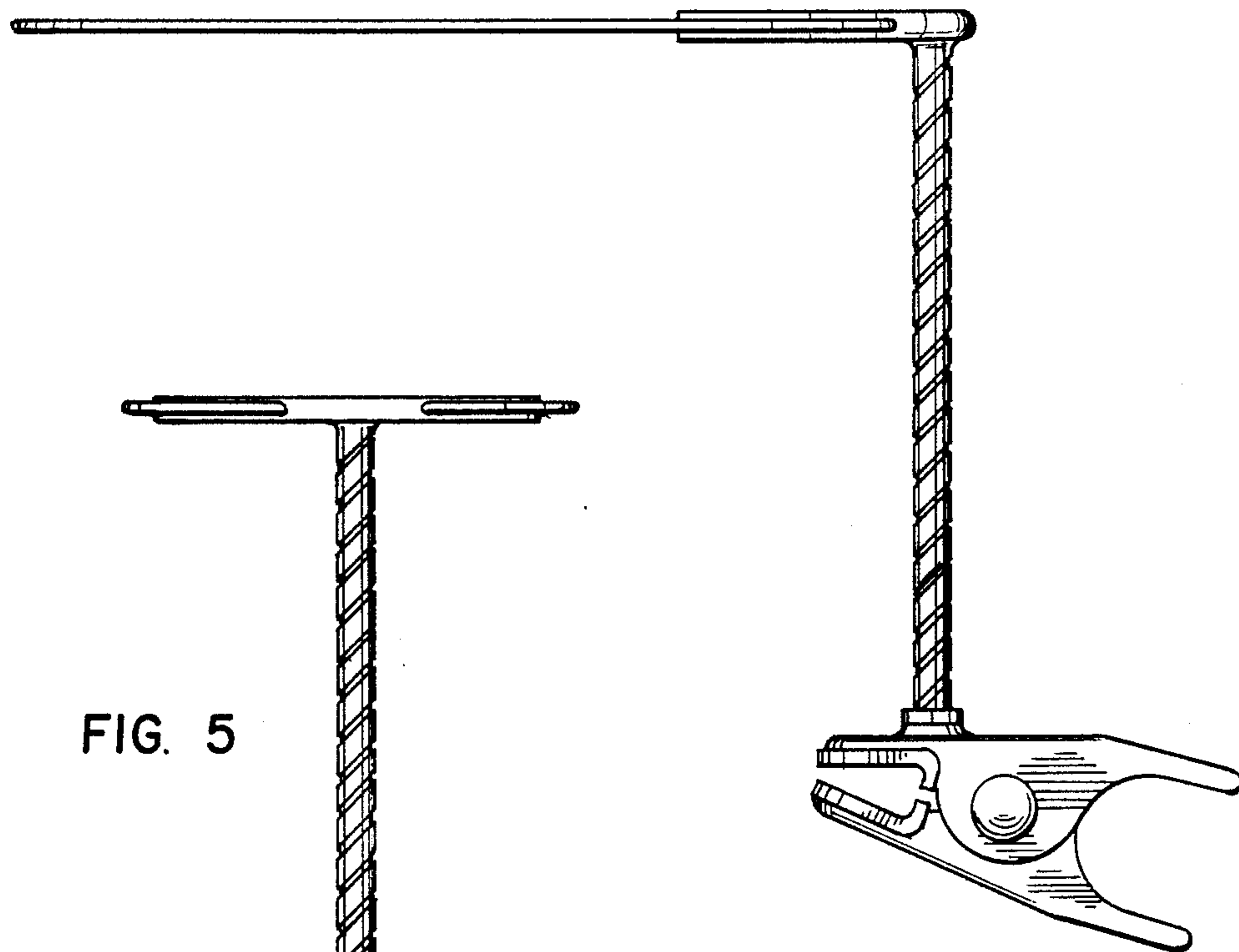


FIG. 5

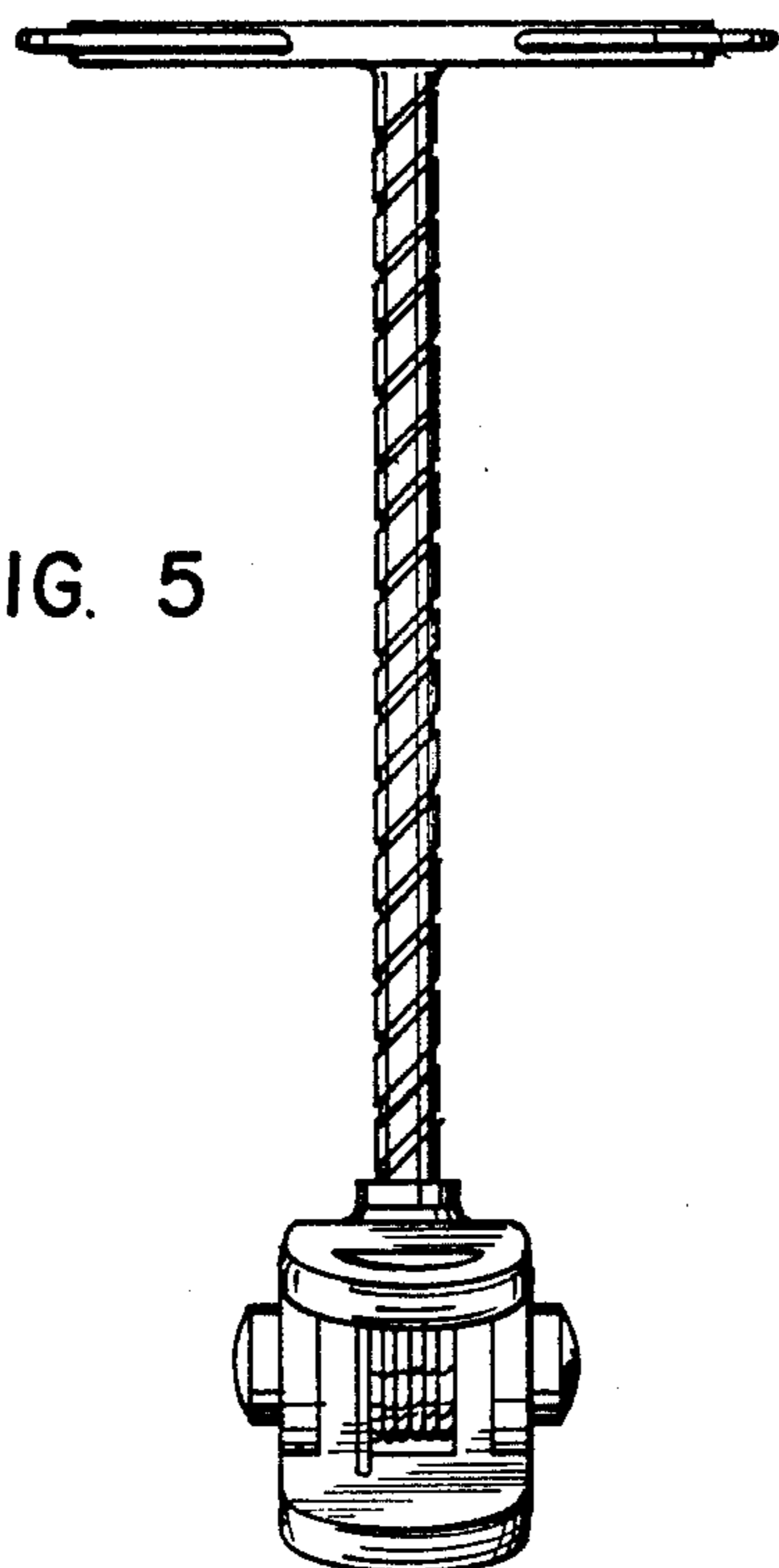


FIG. 4

