

[54] **HEADER FOR A MERCHANDISING DISPLAY STAND OR THE LIKE**

[75] **Inventor:** William Prendergast, Park Ridge, N.J.

[73] **Assignee:** Philip Morris Incorporated, New York, N.Y.

[\*] **Notice:** The portion of the term of this patent subsequent to Jul. 31, 2004 has been disclaimed.

[\*\*] **Term:** 14 Years

[21] **Appl. No.:** 938,781

[22] **Filed:** Dec. 5, 1986

[52] **U.S. Cl. ....** D6/455; D6/457

[58] **Field of Search ....** D6/455, 457, 458, 459, D6/460, 461, 491; 211/42, 13

[56] **References Cited**

**U.S. PATENT DOCUMENTS**

D. 241,998 10/1976 Rohrer et al. .... 6/461 X  
2,972,415 2/1961 Rensgh ..... 6/461 X

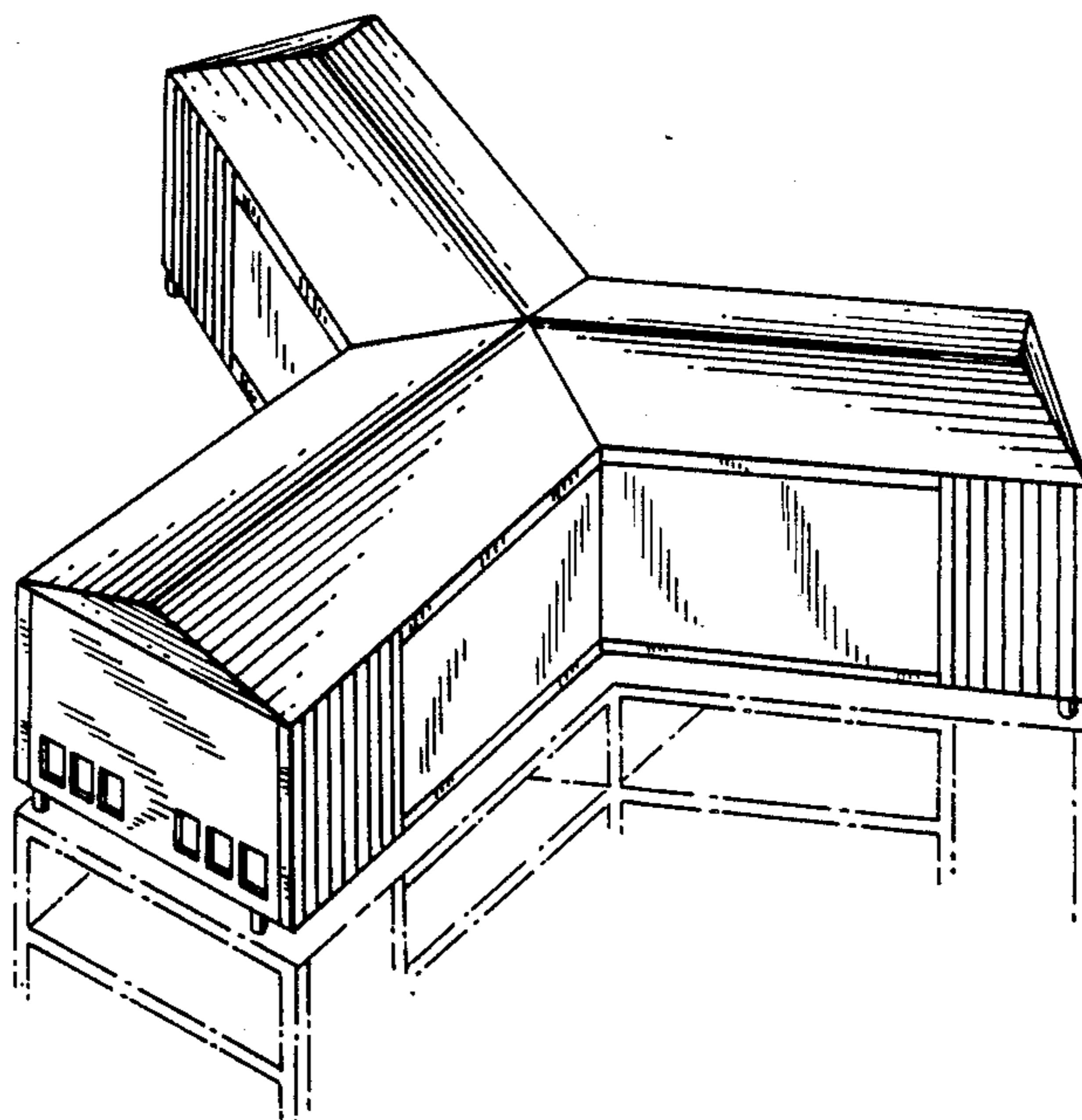
*Primary Examiner*—Bruce W. Dunkins  
*Assistant Examiner*—Jeffrey Asch  
*Attorney, Agent, or Firm*—Charles B. Smith

[57] **CLAIM**

The ornamental design for a header for a merchandising display stand or the like, as shown and described.

**DESCRIPTION**

FIG. 1 is a perspective view of a header for a merchandising display stand or the like showing my new design; the broken lines indicate environmental structure; FIG. 2 is a bottom plan view thereof; FIG. 3 is a top plan view thereof; and FIG. 4 is a side elevational view thereof; FIG. 5 is a front elevational view thereof.



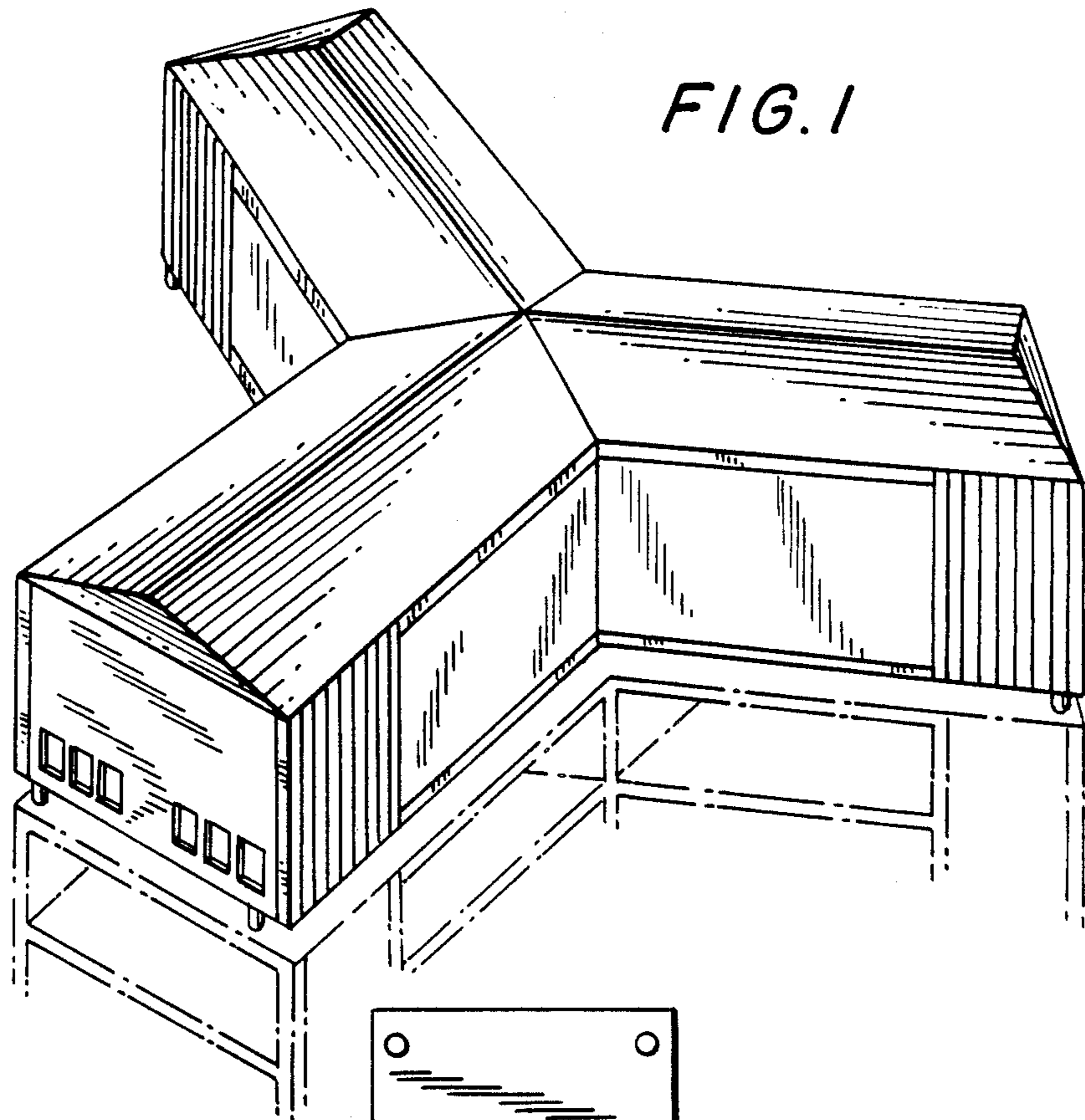


FIG. 1

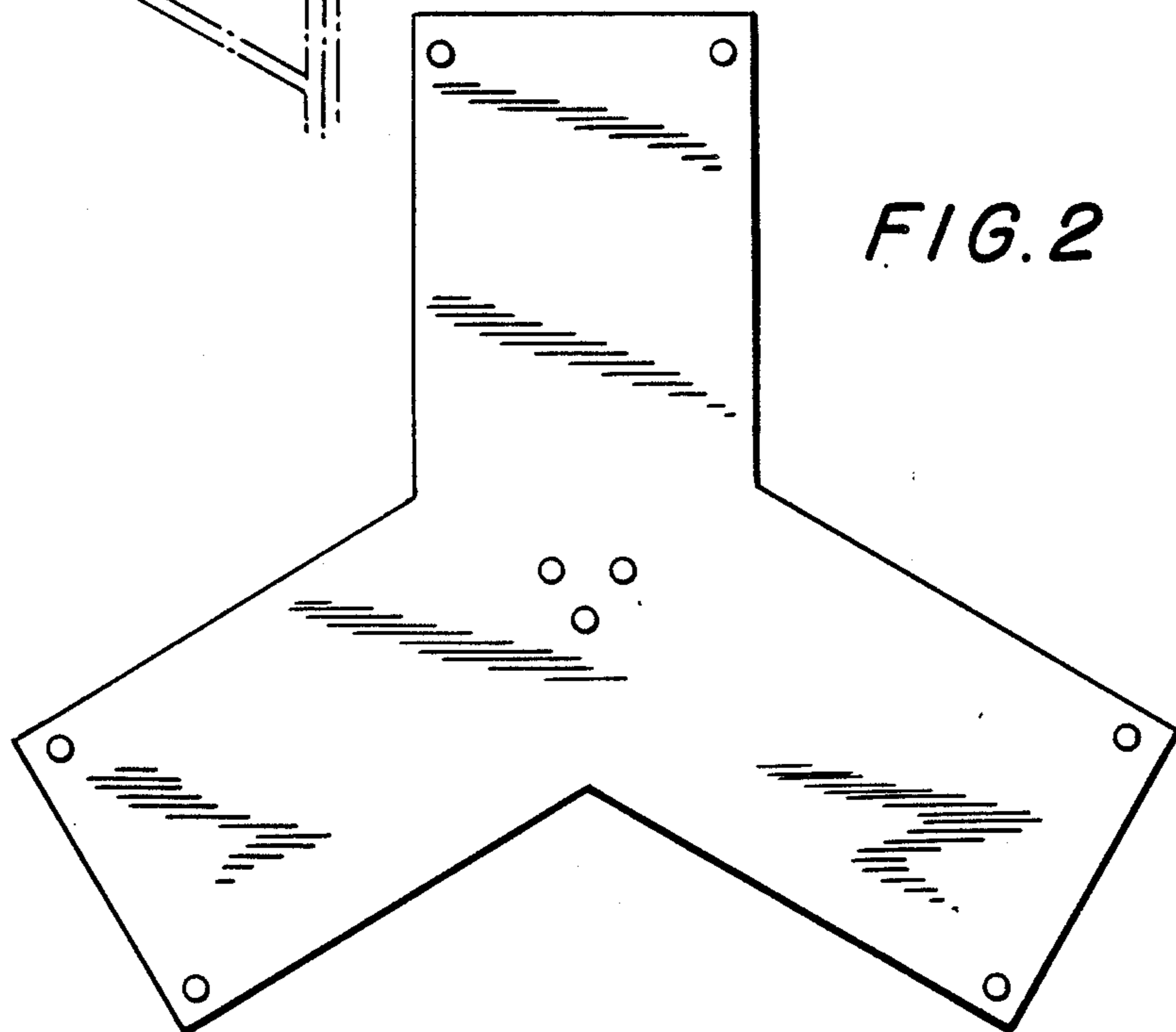


FIG. 2

FIG. 3

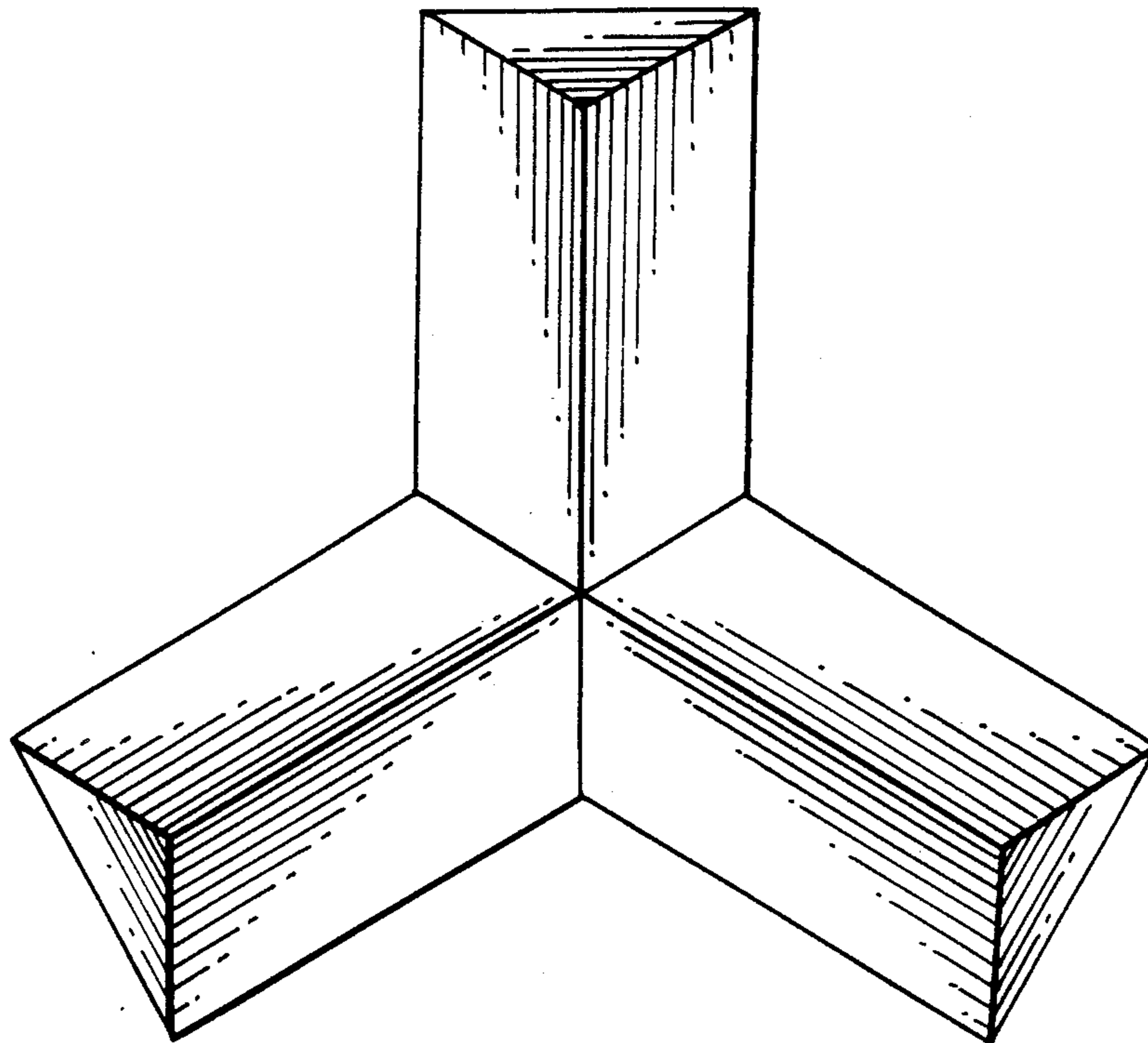


FIG. 4

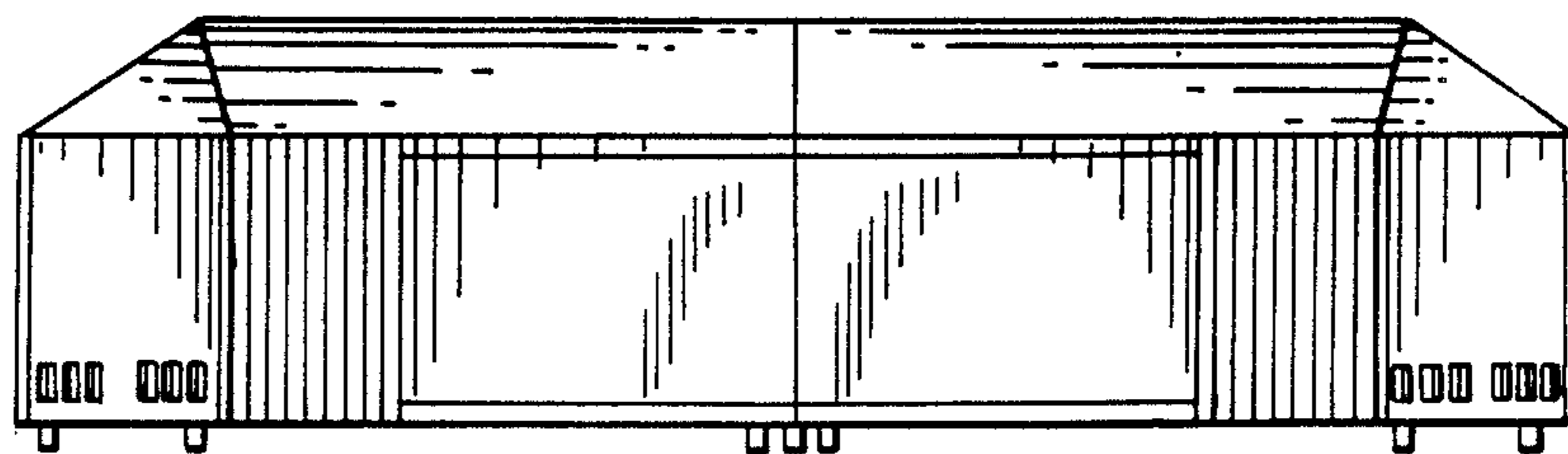


FIG. 5

