

United States Patent [19]

MacDonald

[11] Patent Number: **Des. 310,306**

[45] Date of Patent: **** Sep. 4, 1990**

[54] **KEY HOLDER**

[76] Inventor: **Sumner B. MacDonald, 39 Sea Breeze La., Bristol, R.I. 02809**

[**] Term: **14 Years**

[21] Appl. No.: **243,023**

[22] Filed: **Sep. 12, 1988**

[52] U.S. Cl. **D3/61**

[58] Field of Search **D3/61-65, D3/103; 70/456 R, 459; 30/39; D8/381-382, 339; 24/239, 231, 3 K**

[56] **References Cited**

U.S. PATENT DOCUMENTS

D. 271,443 11/1983 MacDonald 123/61

D. 285,864 9/1986 Sakai D3/65
D. 285,987 10/1986 MacDonald D3/61
D. 299,480 1/1989 Harari D3/61
4,576,839 3/1986 Parren 70/456 R

Primary Examiner—Louis S. Zarfes

Assistant Examiner—R. T. Seifert

[57] **CLAIM**

The ornamental design for a key holder, as shown.

DESCRIPTION

FIG. 1 is a right side elevational view of a key holder showing my new design;

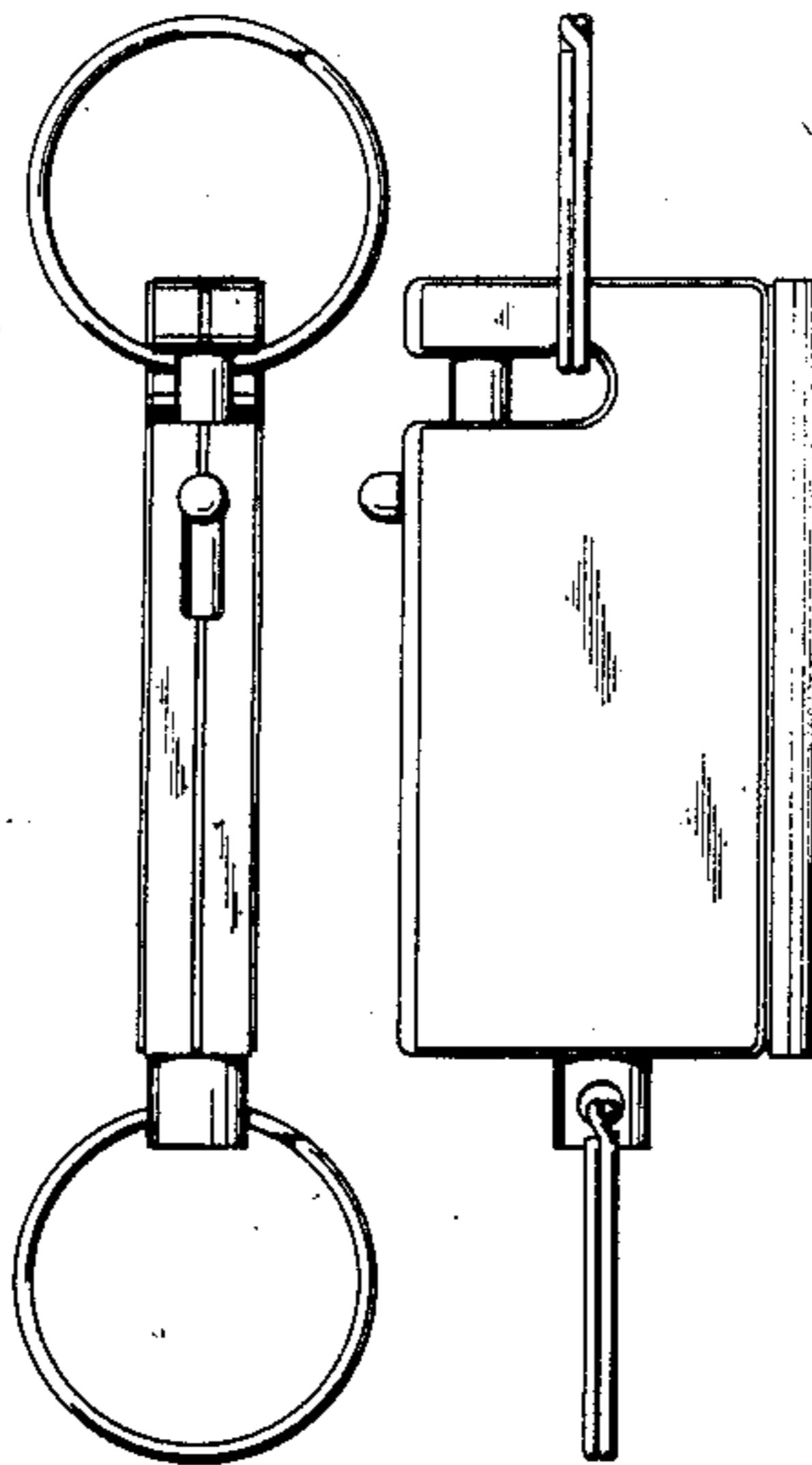
FIG. 2 is a rear elevational view;

FIG. 3 is a left side elevational view;

FIG. 4 is a front elevational view;

FIG. 5 is a top plan view;

FIG. 6 is a bottom plan view.



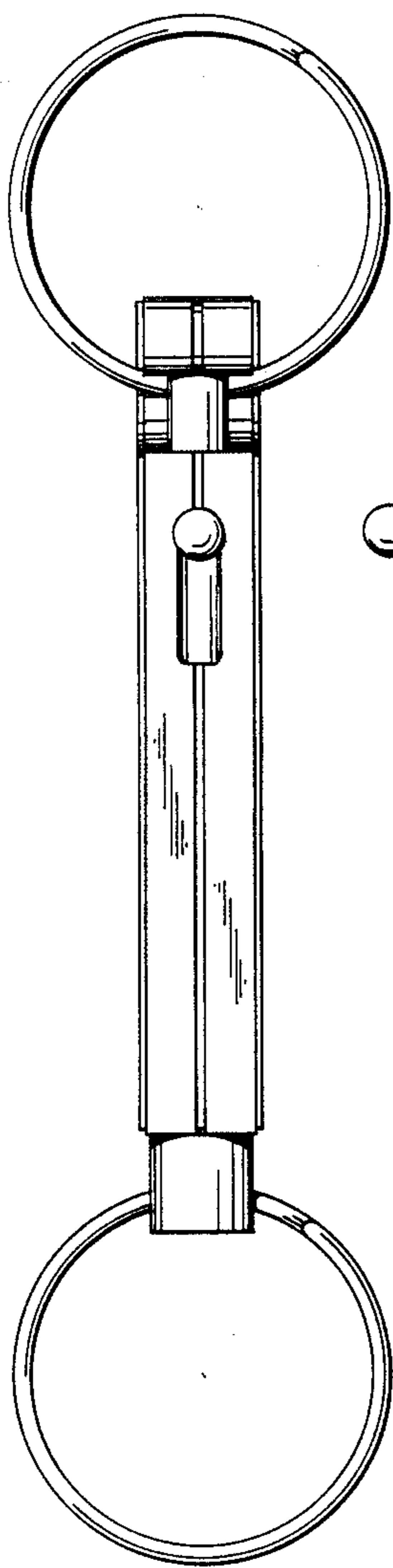


FIG. 1

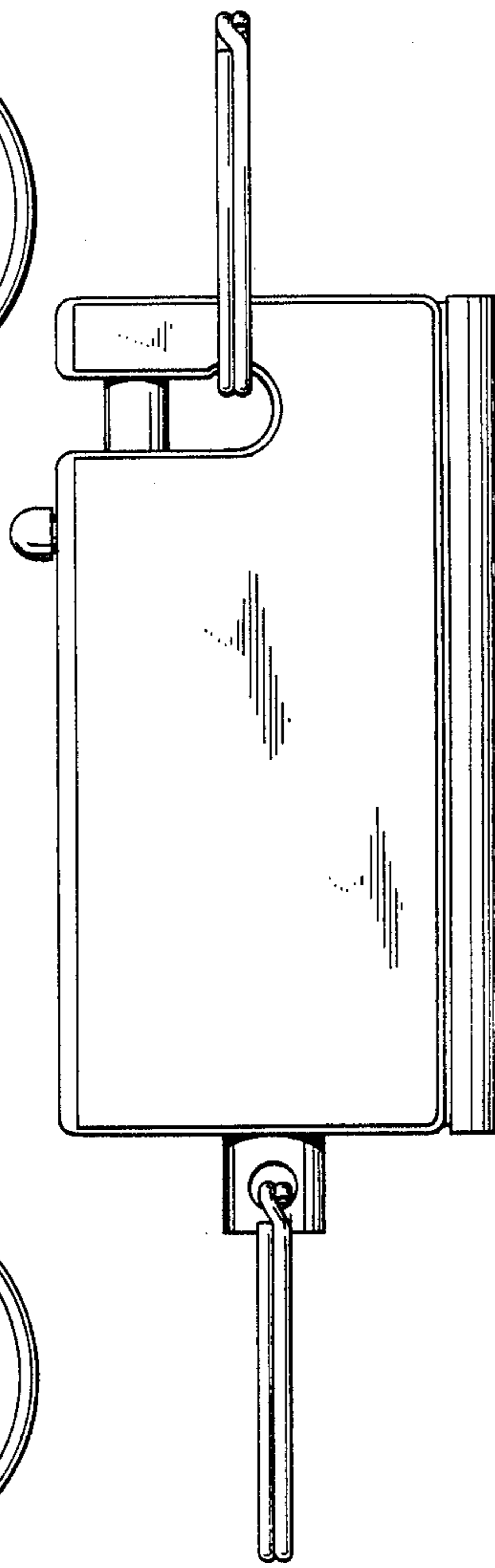


FIG. 2

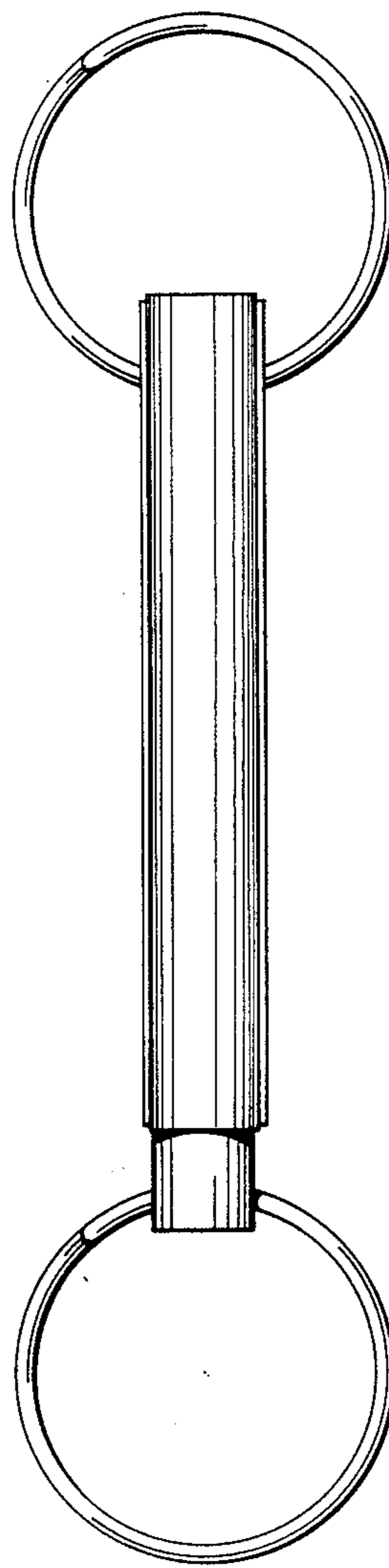


FIG. 3

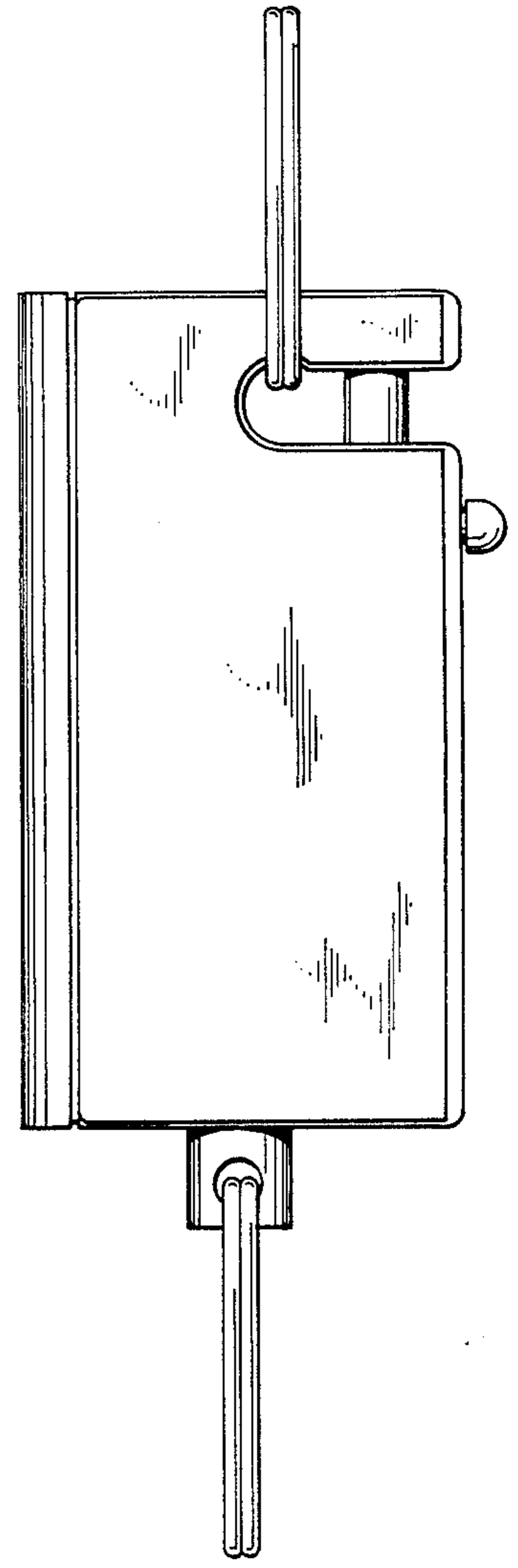


FIG. 4

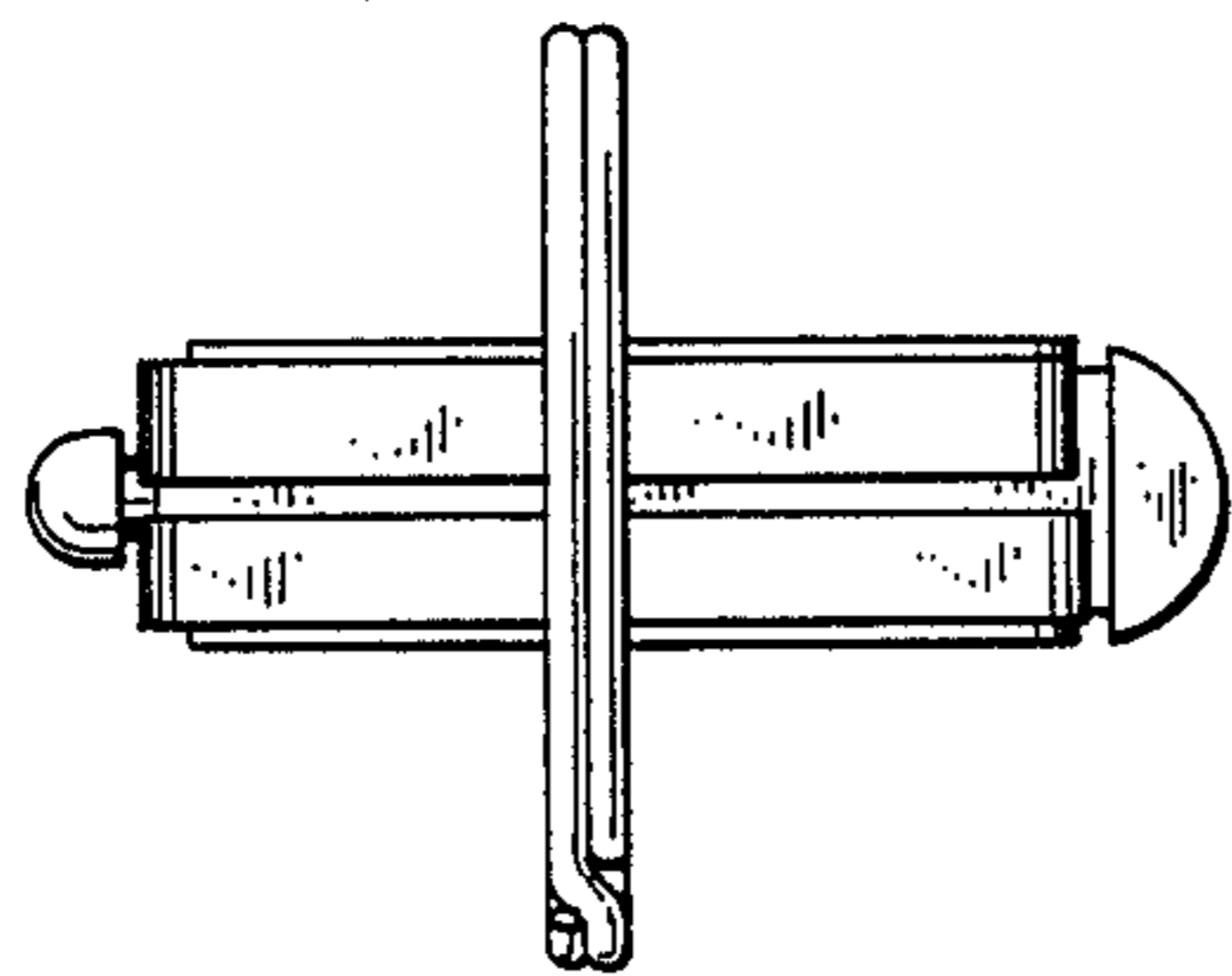


FIG. 5

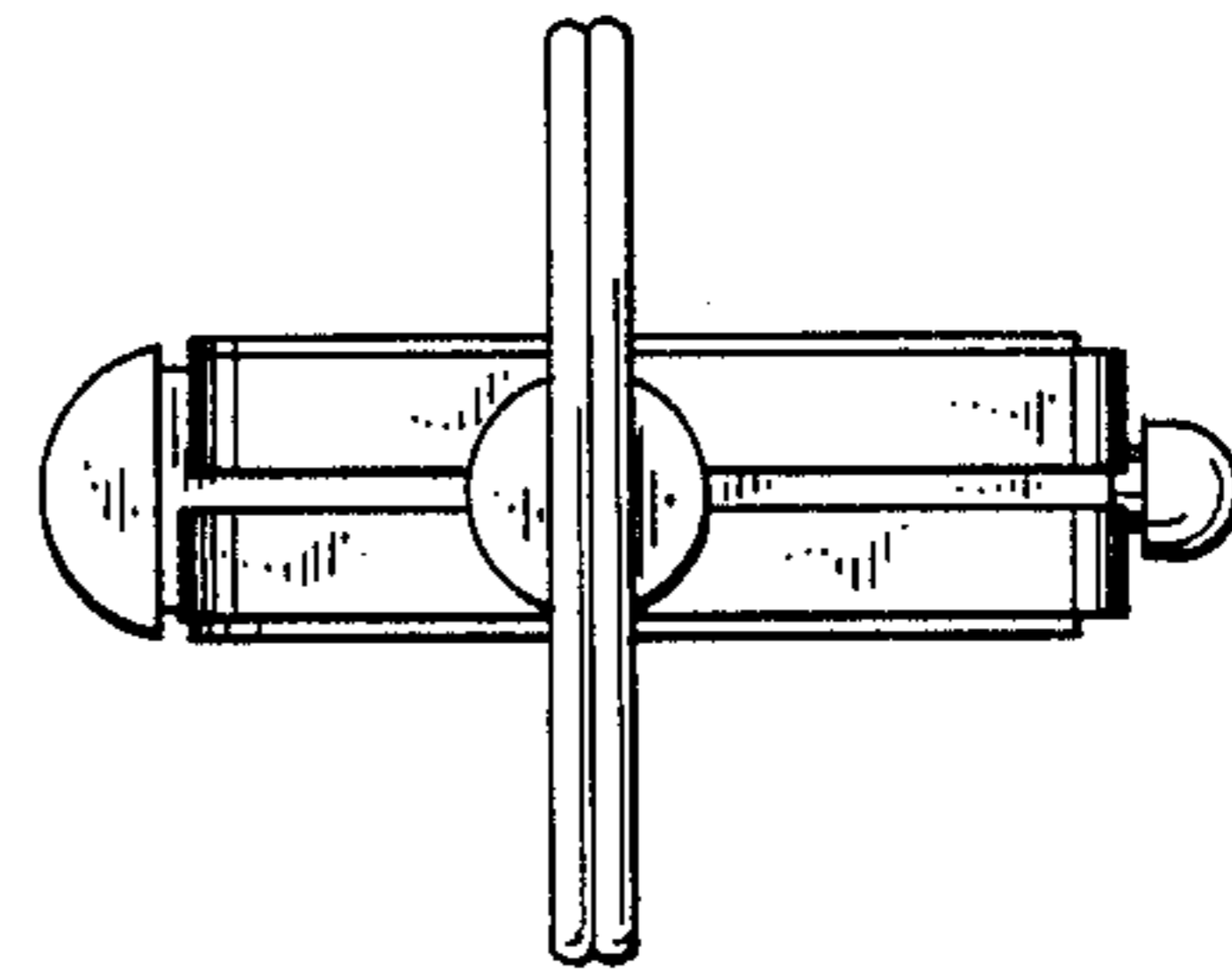


FIG. 6