

[54] **GUN SUPPORT CRADLE**

[76] **Inventor: Robert C. Southard, Box 94, Locust Grove, Ark. 72550**

[**] **Term: 14 Years**

[21] **Appl. No.: 87,755**

[22] **Filed: Aug. 21, 1987**

[52] **U.S. Cl. D3/38; 211/163; 211/64; 224/42.45 R; 224/913**

[58] **Field of Search D3/36, 38; 224/42.45 R, 224/273, 913; 211/64, 163; D6/552, 553, 449, 466, 467, 468; 312/207**

[56] **References Cited**

U.S. PATENT DOCUMENTS

D. 252,001 6/1979 Arnold D3/38
3,329,278 7/1967 Pachmayr 211/64

Primary Examiner—James R. Largen

Assistant Examiner—Y. Brunot

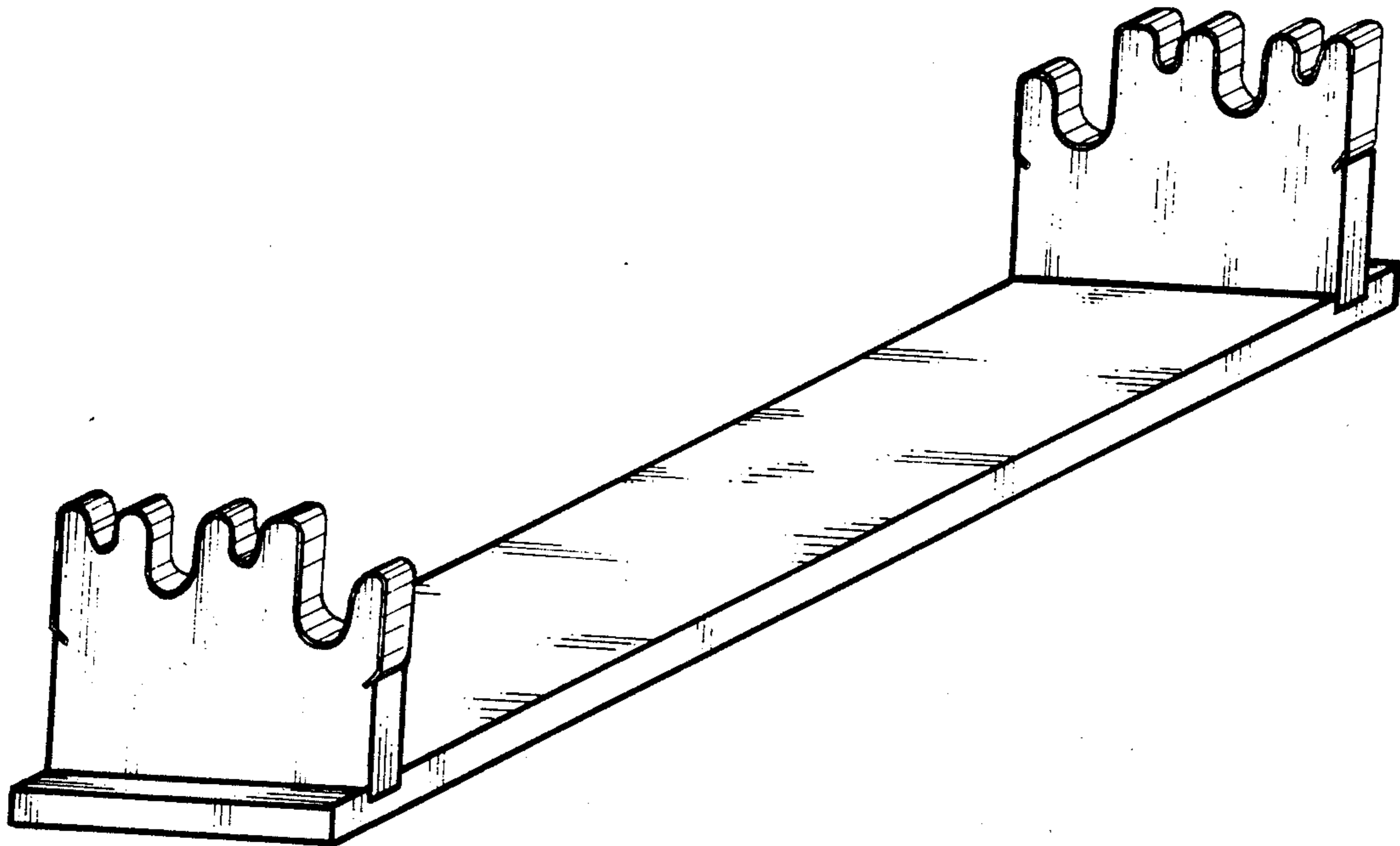
Attorney, Agent, or Firm—Stephen D. Carver

[57] **CLAIM**

The ornamental design for a gun support cradle, as shown and described.

DESCRIPTION

FIG. 1 is a top, front and left end perspective view of a gun support cradle showing my new design;
FIG. 2 is a bottom, rear and left end perspective view;
FIG. 3 is a left end elevational view;
FIG. 4 is a right end elevational view;
FIG. 5 is a front elevational view;
FIG. 6 is a bottom plan view;
FIG. 7 is a top plan view;
FIG. 8 is a top, front and left end perspective view of a second embodiment of the gun support cradle;
FIG. 9 is a bottom, rear and left end perspective view of FIG. 8;
FIG. 10 is a left end elevational view of FIG. 8;
FIG. 11 is a right end elevational view of FIG. 8;
FIG. 12 is a front elevational view of FIG. 8;
FIG. 13 is a bottom plan view of FIG. 8; and
FIG. 14 is a top plan view of FIG. 8.



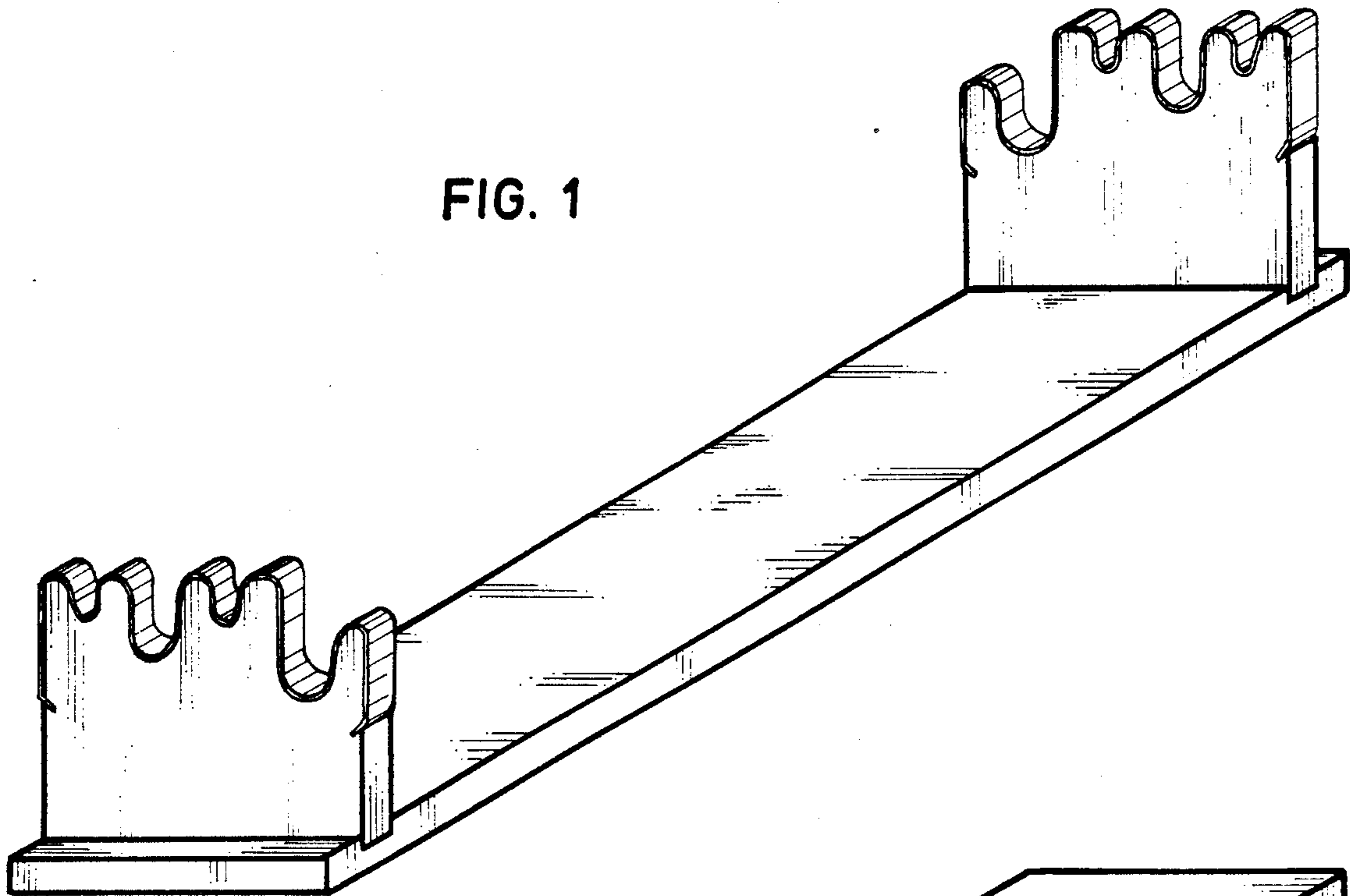


FIG. 1

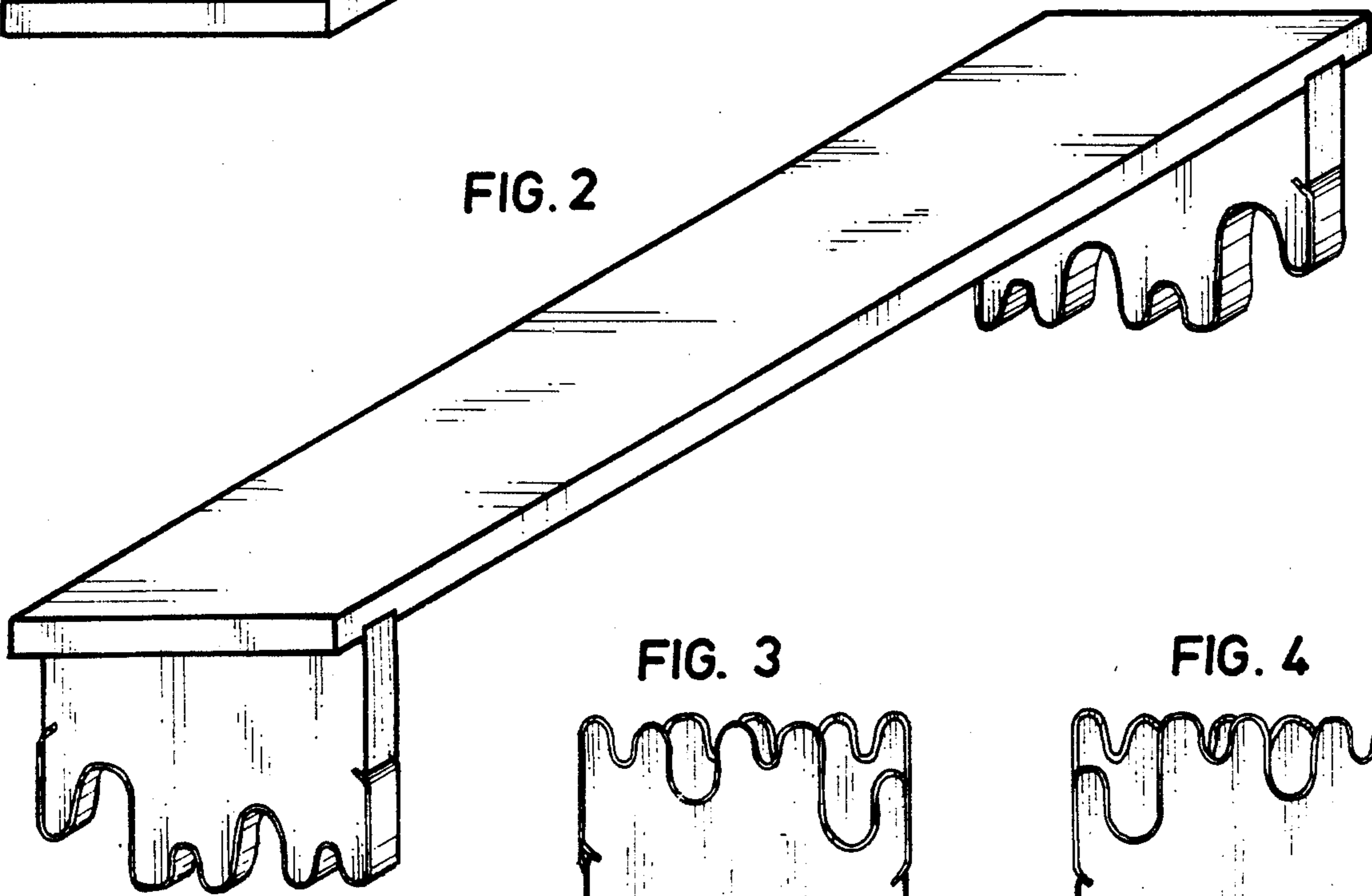


FIG. 2

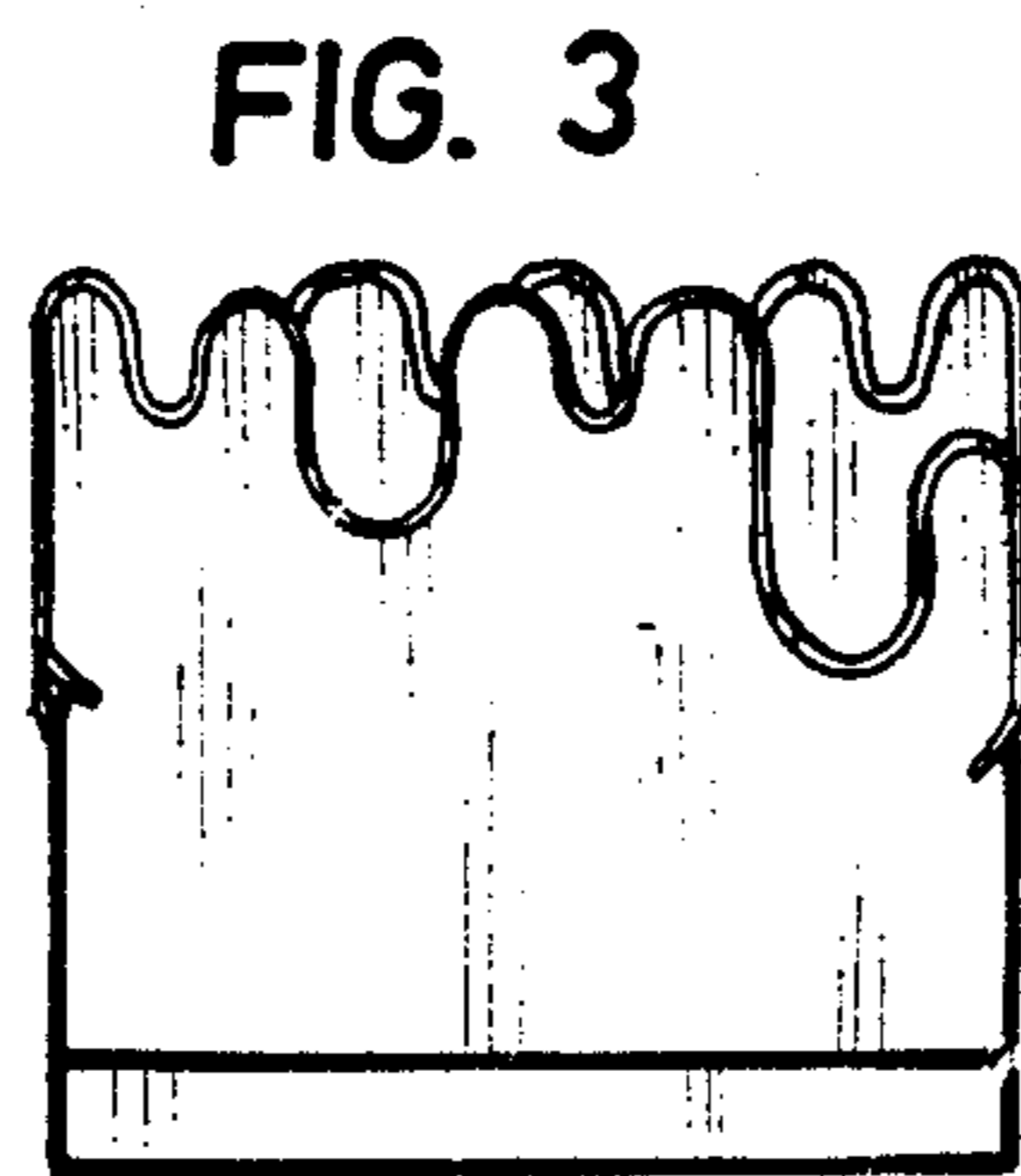


FIG. 3

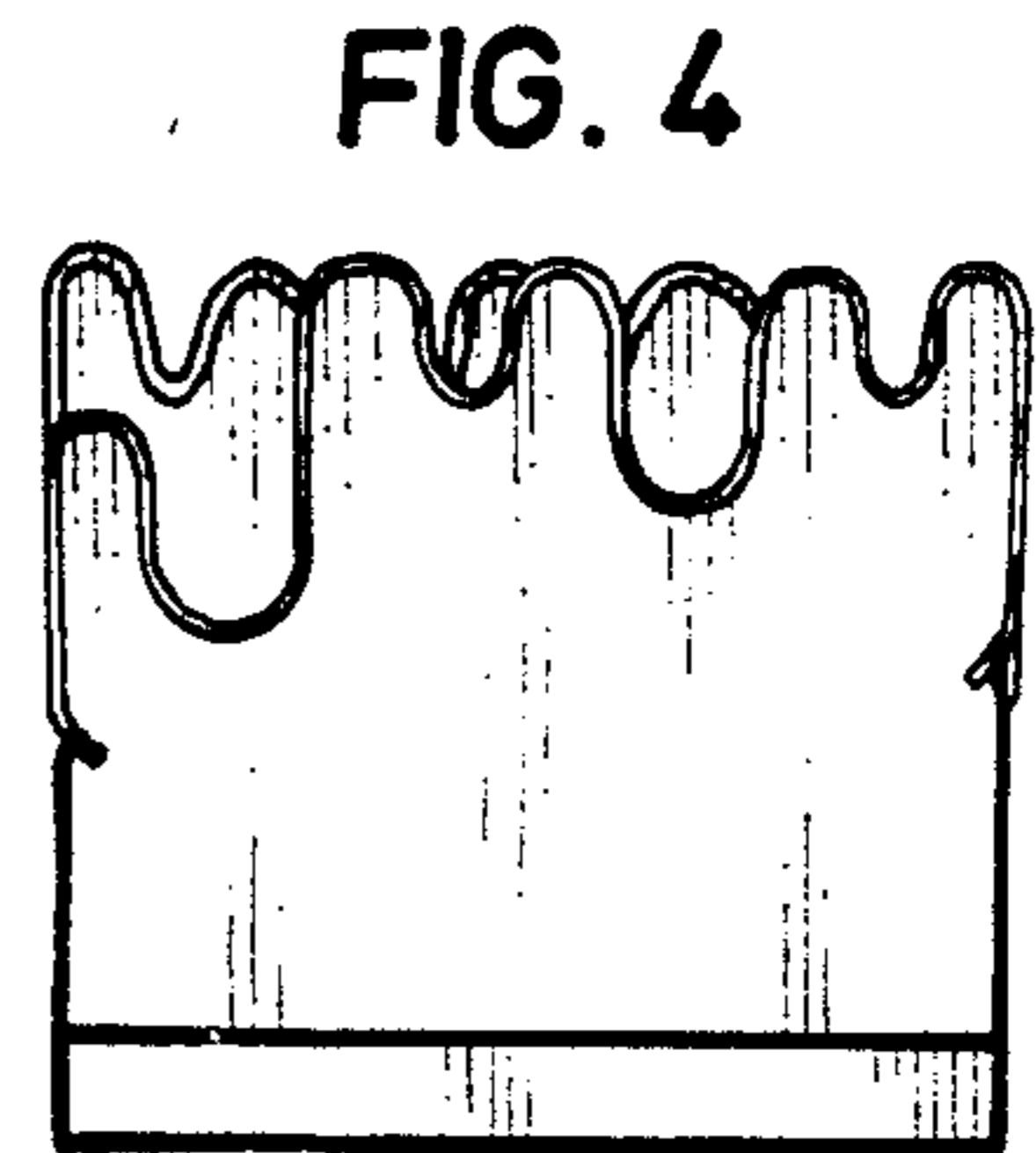


FIG. 4

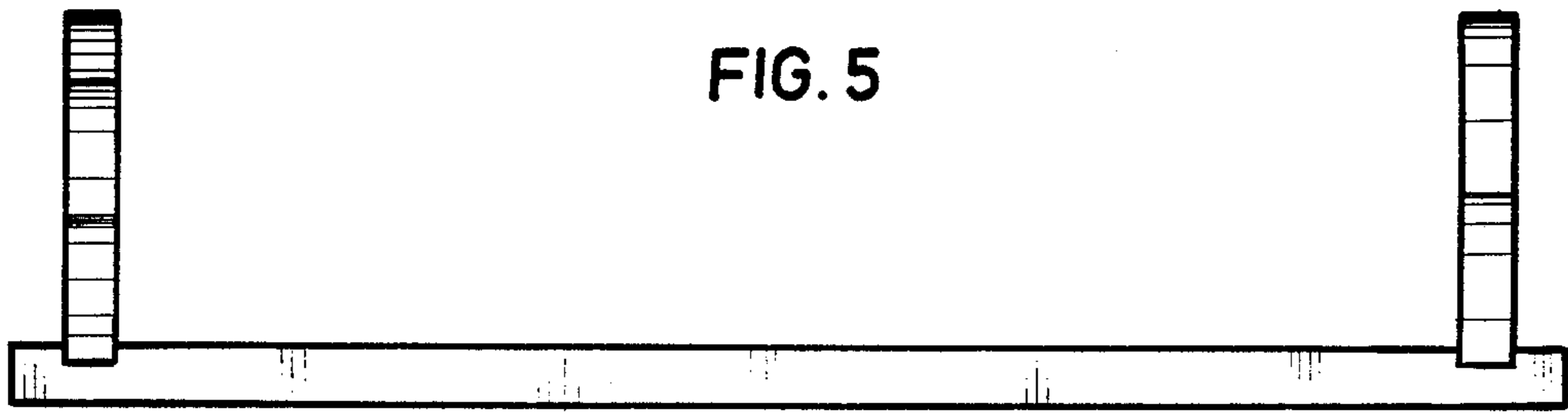


FIG. 5

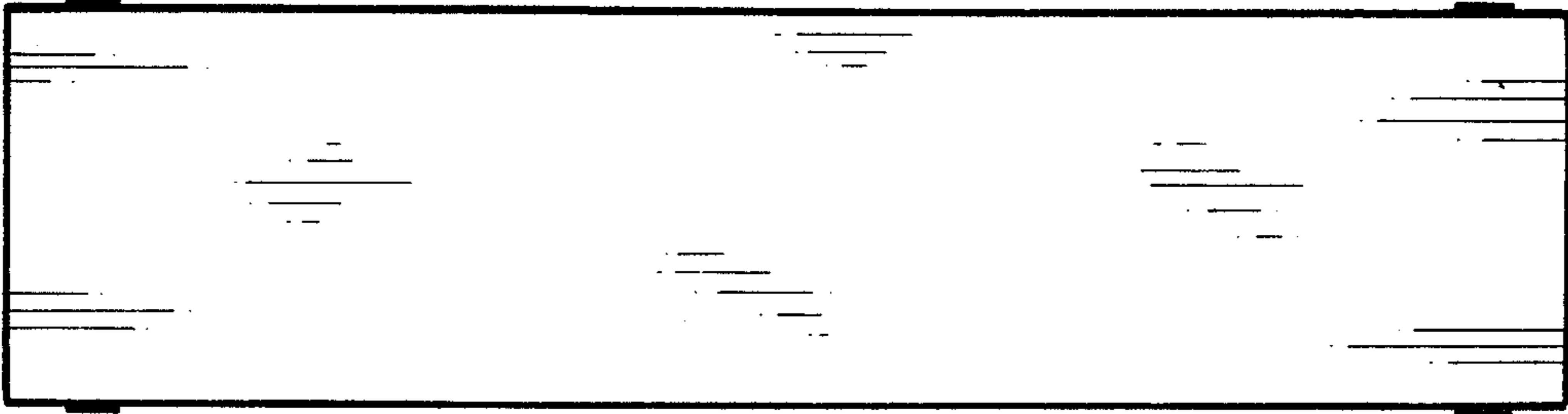


FIG. 6

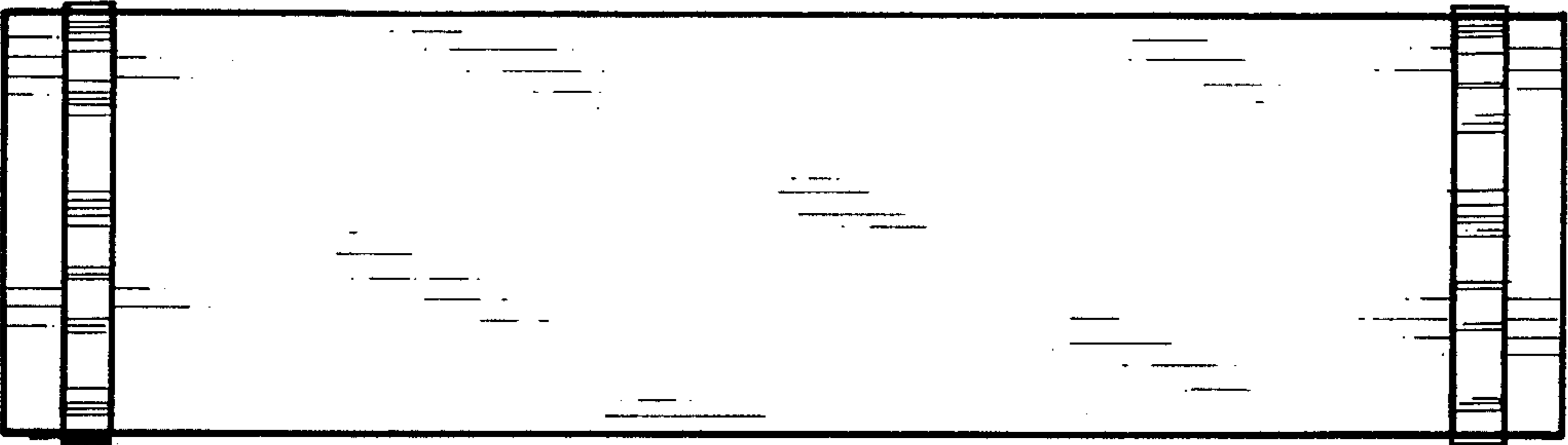
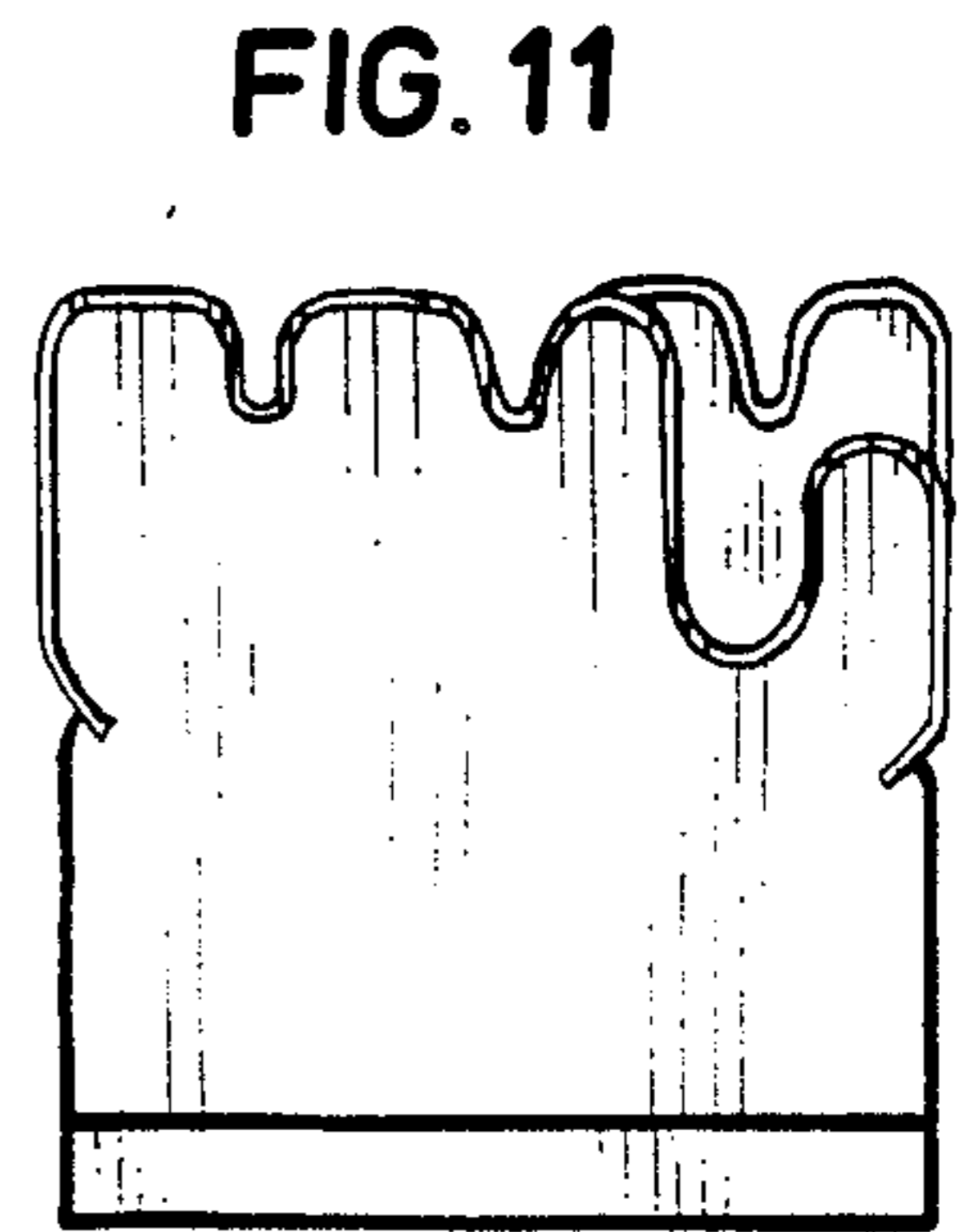
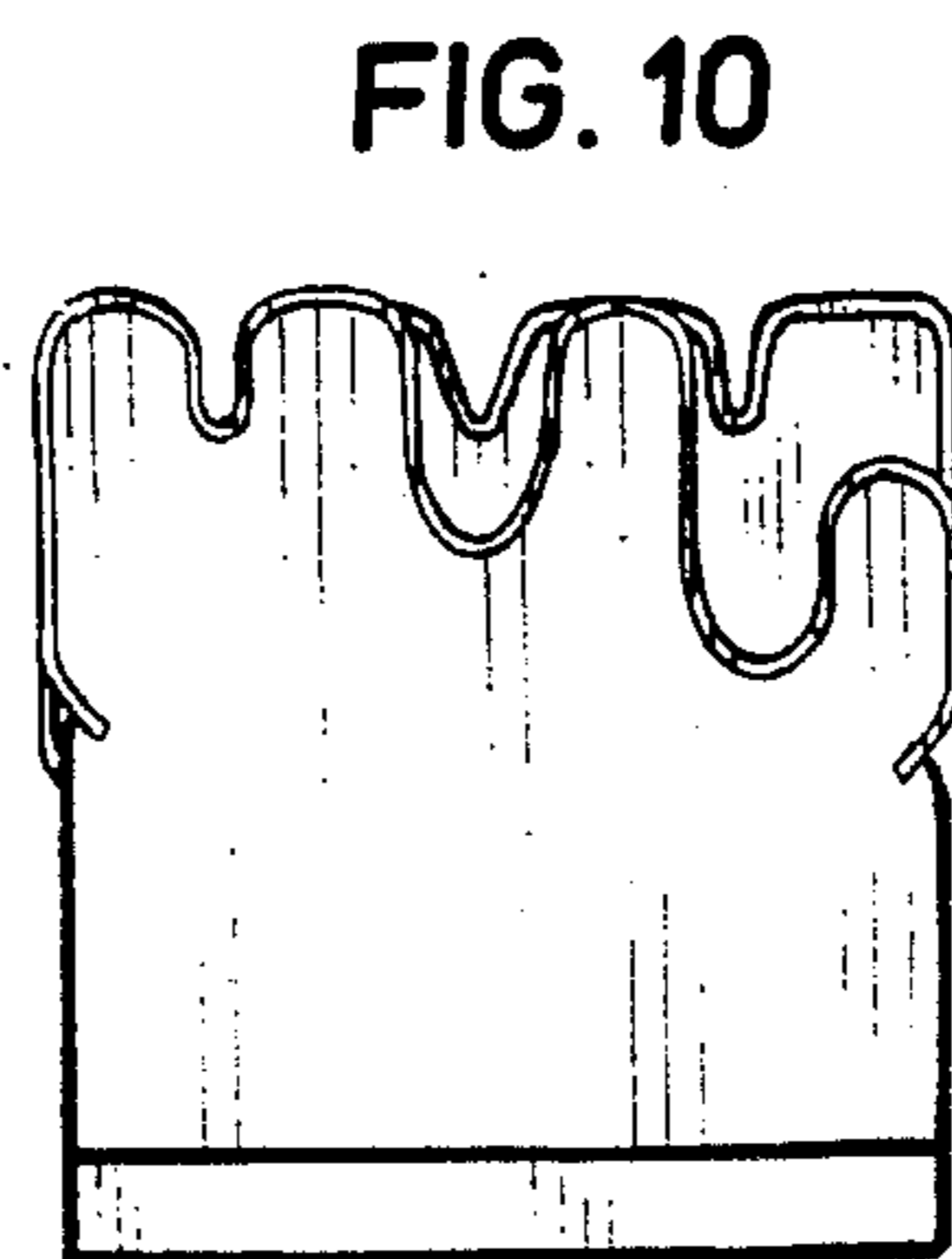
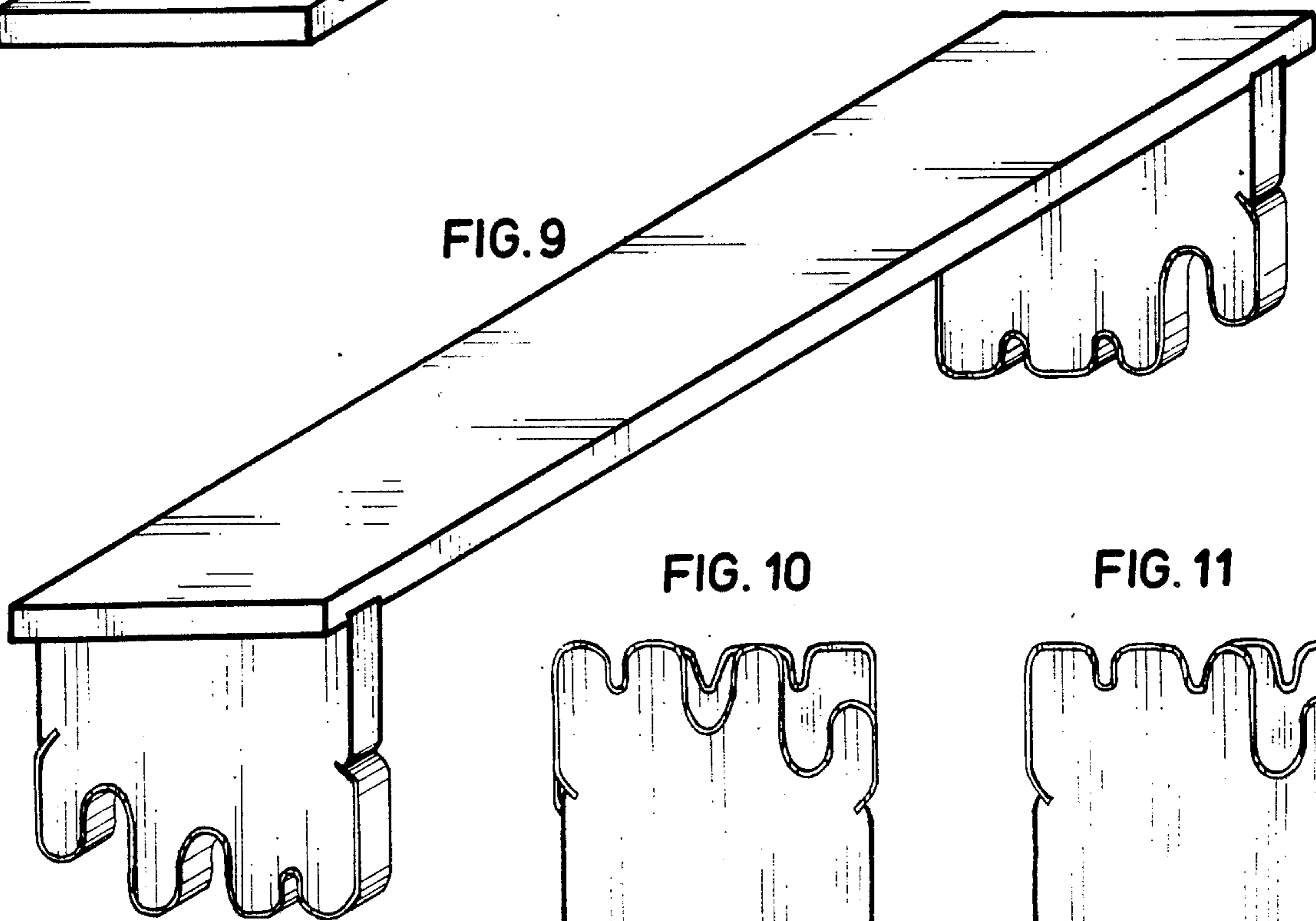
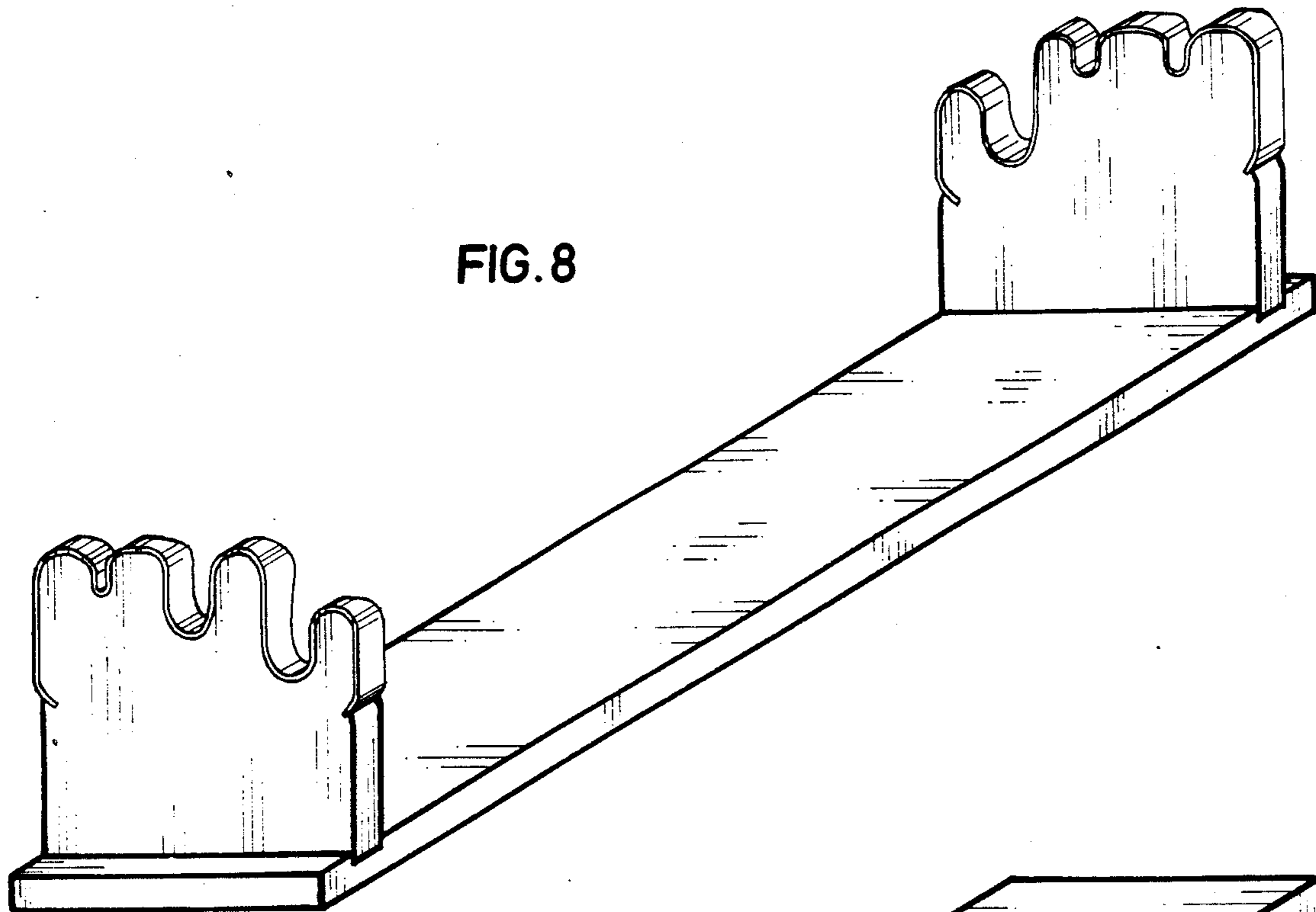


FIG. 7



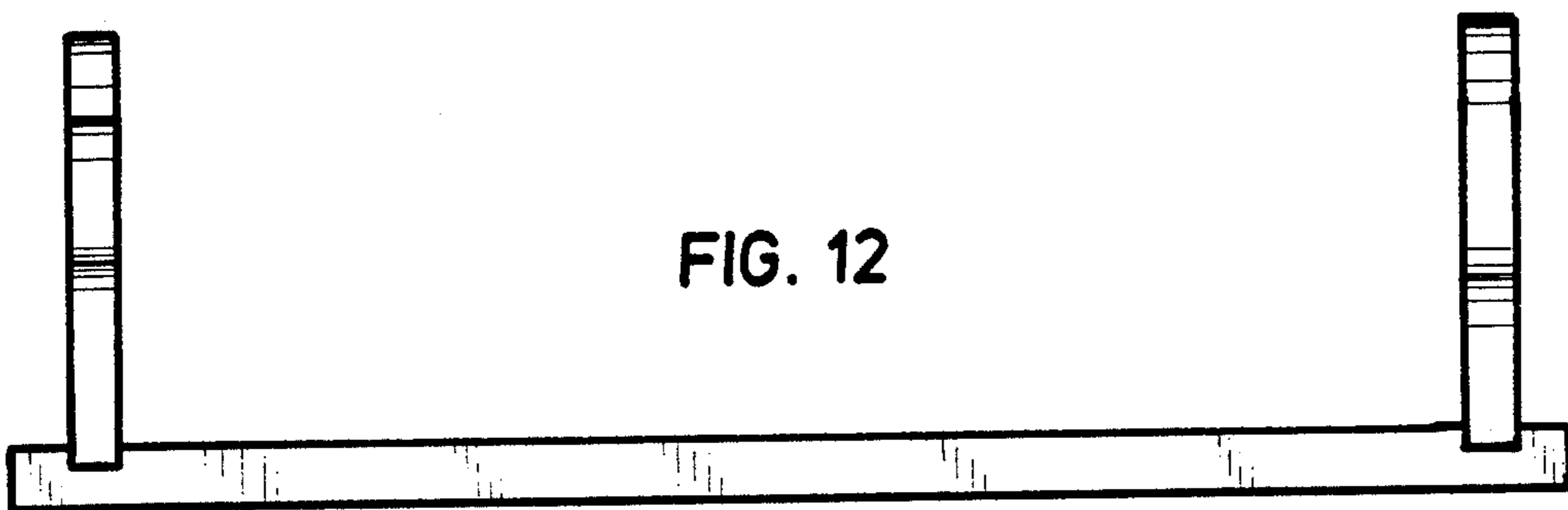


FIG. 12

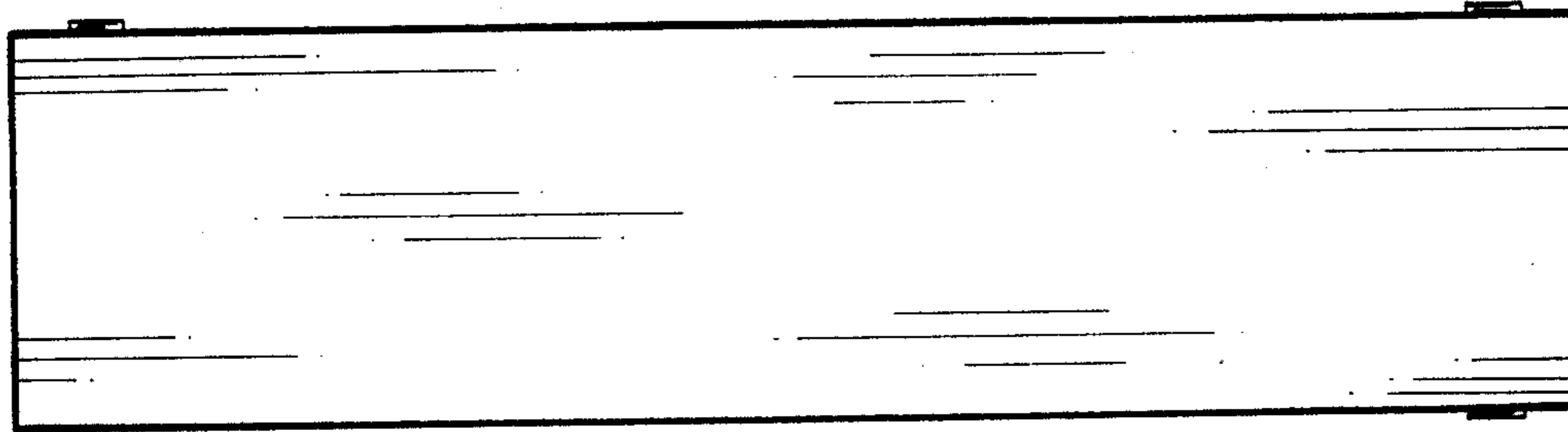


FIG. 13

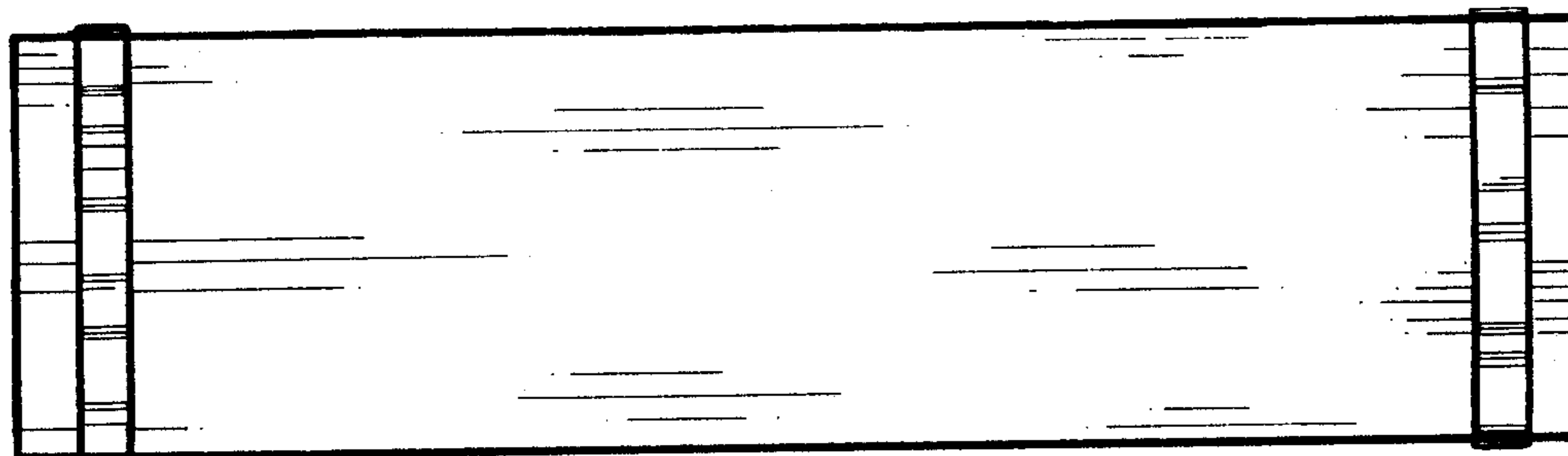


FIG. 14