

[54] **FETTUCINI**

[75] **Inventor: Joseph P. Pellegrino, North Andover, Mass. 01845**

[73] **Assignee: The Prince Company, Inc., Columbus, Ohio**

[\*\*] **Term: 14 Years**

[21] **Appl. No.: 45,050**

[22] **Filed: May 1, 1987**

[52] **U.S. Cl. .... D1/126; D25/123**

[58] **Field of Search .... D1/127, 126, 199; D8/324; D25/121, 123; D28/2; 426/143, 512, 499, 514, 104, 549, 94, 138, 283, 391**

[56] **References Cited**

**U.S. PATENT DOCUMENTS**

D. 298,465 11/1988 Stagl ..... D25/123 X  
2,588,812 6/1950 Dougherty ..... D28/2 X  
2,918,996 12/1959 Brown ..... D25/123 X

**OTHER PUBLICATIONS**

Encyclopedia of Food Artermas Word, 1923, p. 29, Element 14, upper right side of page.

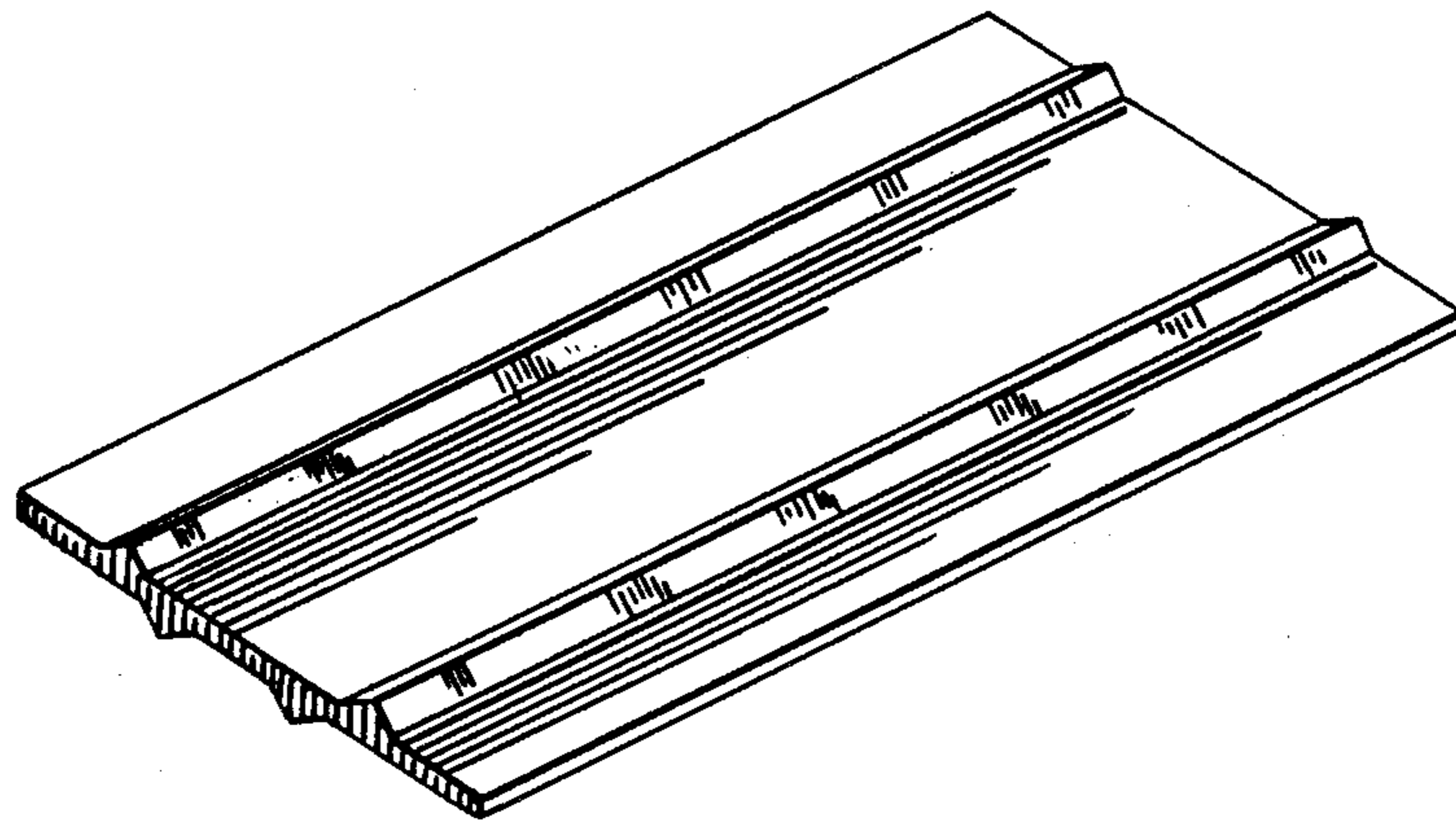
*Primary Examiner*—Wallace R. Burke  
*Assistant Examiner*—Pamela J. Schmidt  
*Attorney, Agent, or Firm*—Pearson & Pearson

[57] **CLAIM**

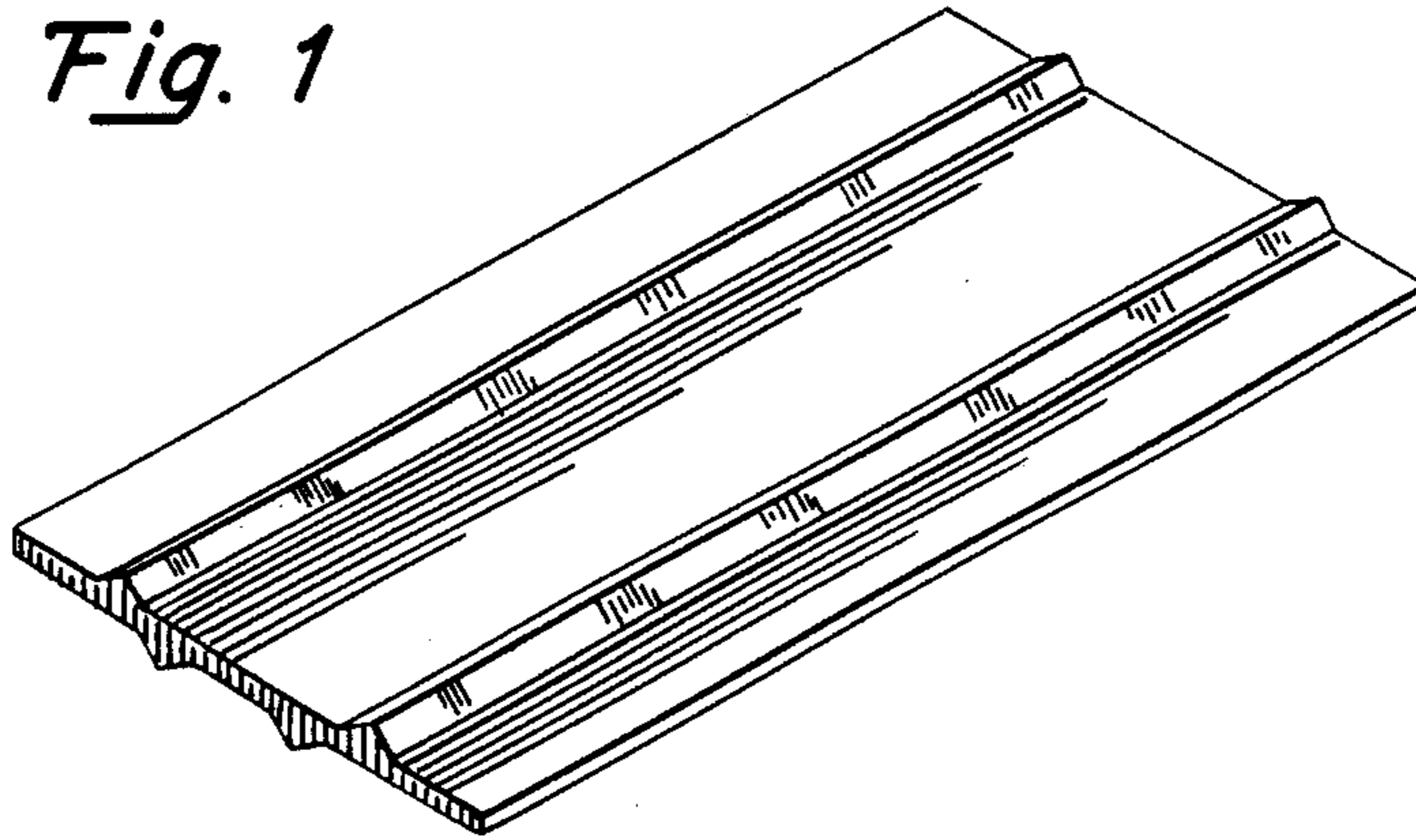
The ornamental design for fettucini, as shown and described.

**DESCRIPTION**

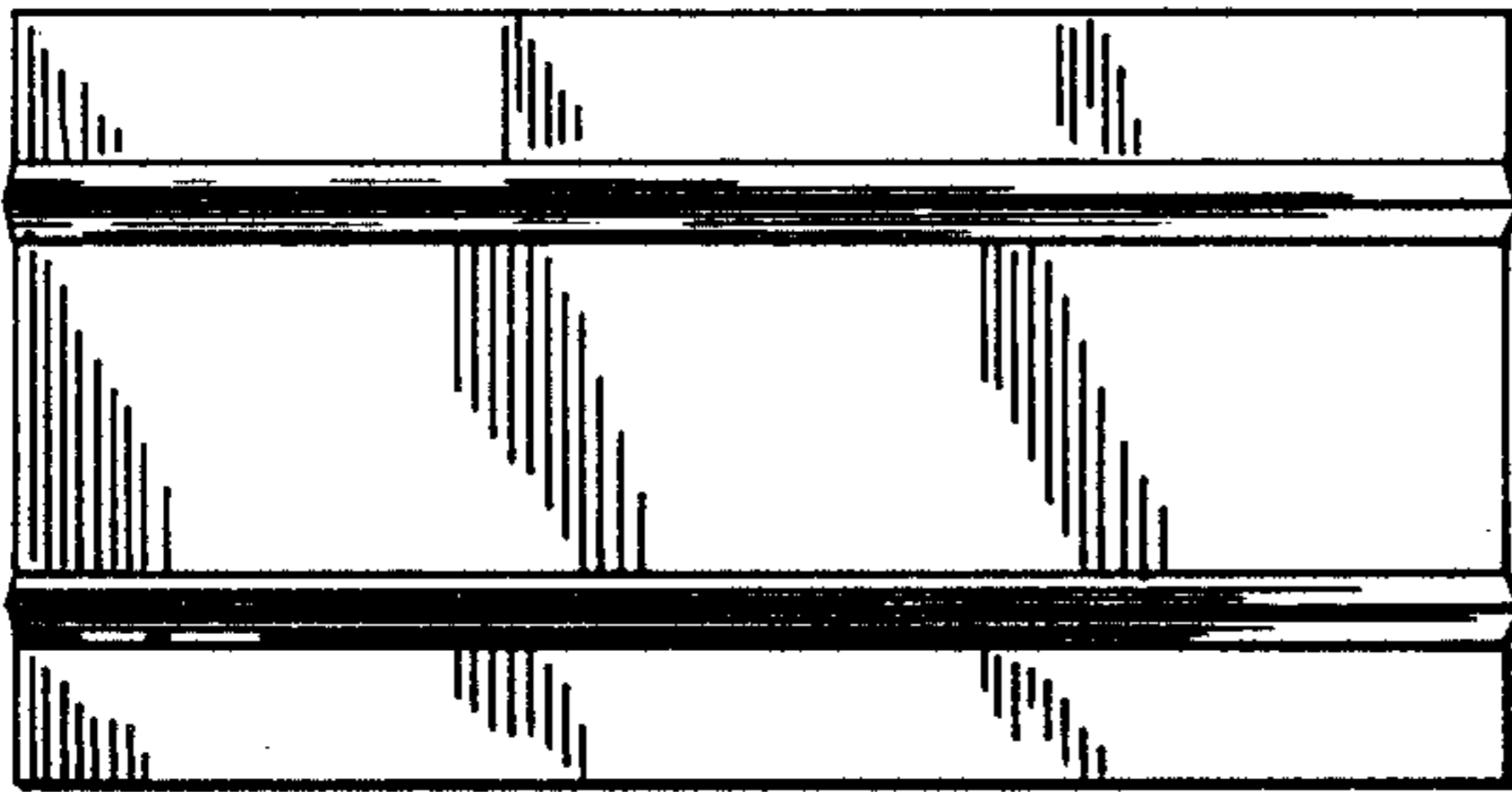
FIG. 1 is a top perspective view of fettucini showing my new design;  
FIG. 2 is a top plan view thereof;  
FIG. 3 is a bottom plan view thereof;  
FIG. 4 is a side elevational view thereof, the undisclosed side being the same; and  
FIG. 5 is an end elevational view thereof, the undisclosed end being the same.



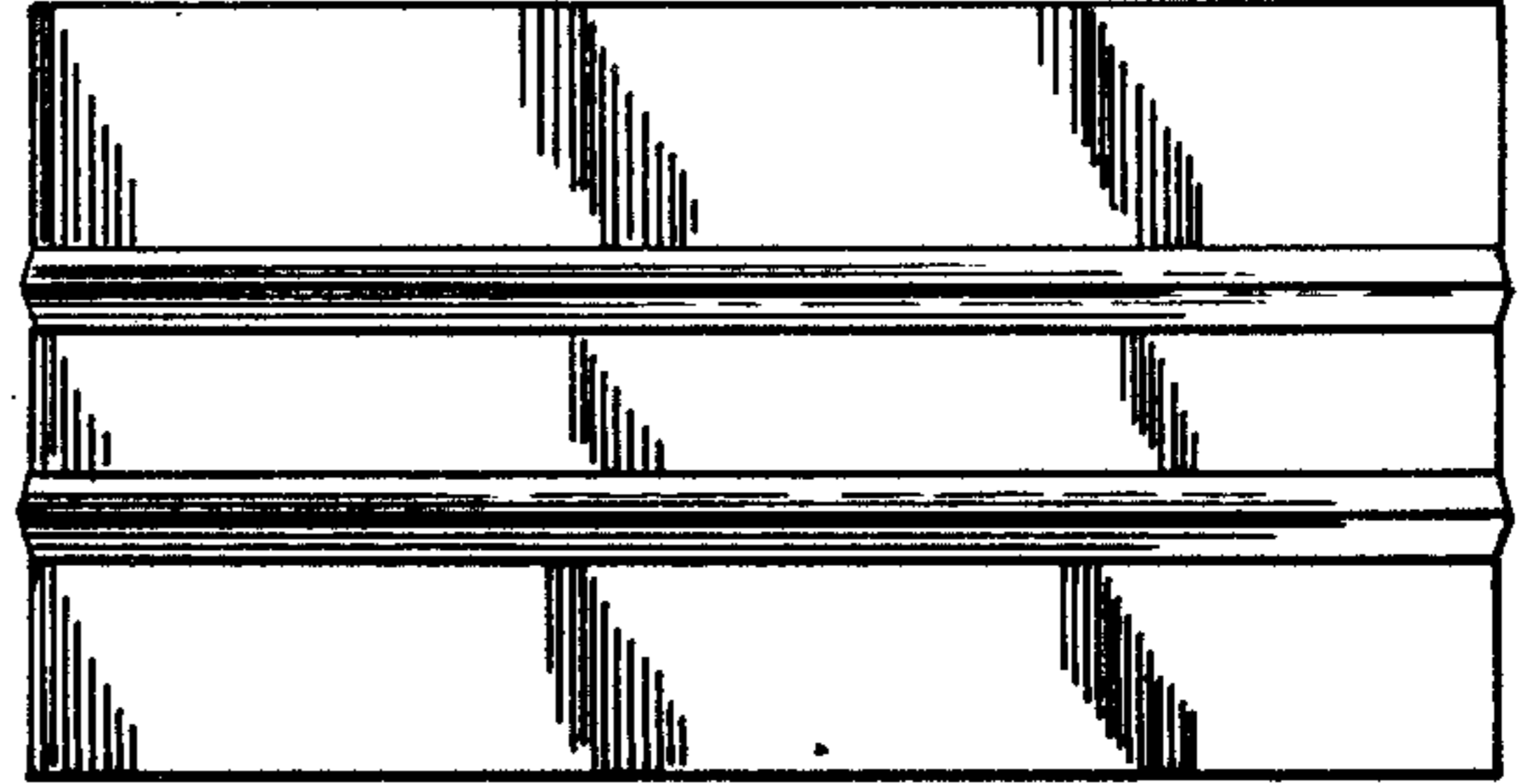
*Fig. 1*



*Fig. 2*



*Fig. 3*



*Fig. 4*



*Fig. 5*

