

[54] **PUSHER PLATE ATTACHMENT FOR HAND TRUCK**

[76] Inventor: **Donald C. Boyer**, 132 Wynnwood Ave., Tonawanda, N.Y. 14150

[**] Term: **14 Years**

[21] Appl. No.: **254,114**

[22] Filed: **Oct. 5, 1988**

[52] U.S. Cl. **D34/27; D34/26**

[58] Field of Search **D34/12, 24, 26, 27; 280/47.29, 47.27, 652, 47.34, 47.23, 47.24, 645, 47.2**

[56] **References Cited**

U.S. PATENT DOCUMENTS

D. 278,373	4/1985	Rousseau	D34/26
3,419,281	12/1968	Boyanich, Sr.	280/47.29
4,241,930	12/1980	Bell et al.	280/47.29

Primary Examiner—Wallace R. Burke
Assistant Examiner—Kay H. Chin
Attorney, Agent, or Firm—Bean, Kauffman & Spencer

[57] **CLAIM**

The ornamental design for a pusher plate attachment for hand truck, as shown and described.

DESCRIPTION

FIG. 1 is a front and top perspective view of a pusher plate attachment for hand truck showing my new design, the broken lines are for illustrative purposes only and form no part of the claimed design;

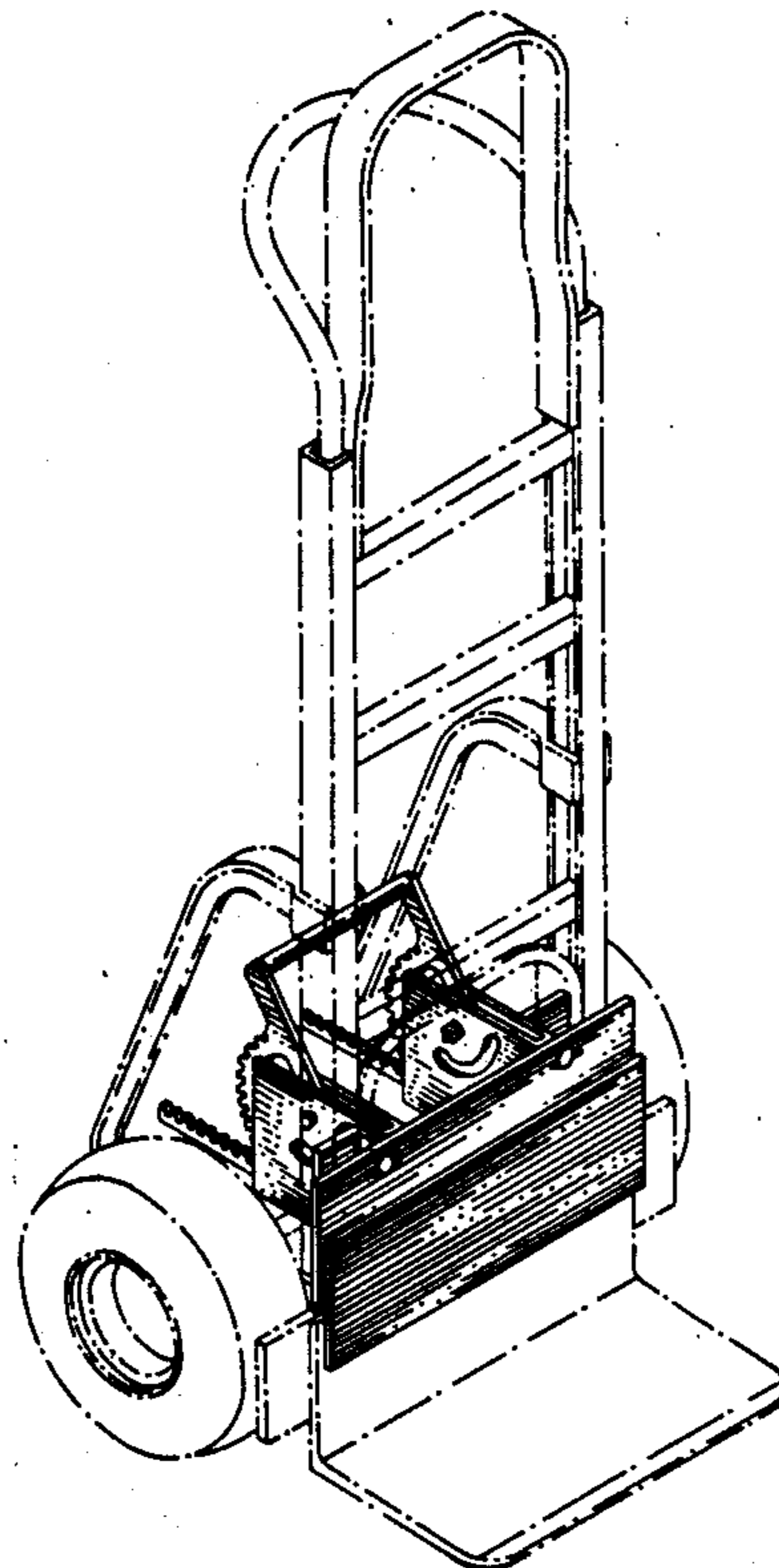
FIG. 2 is a top plan view thereof;

FIG. 3 is a bottom plan view thereof;

FIG. 4 is a front elevational view thereof;

FIG. 5 is a rear elevational view thereof; and

FIG. 6 is a left side elevational view thereof, the right side view being a mirror image of that shown.



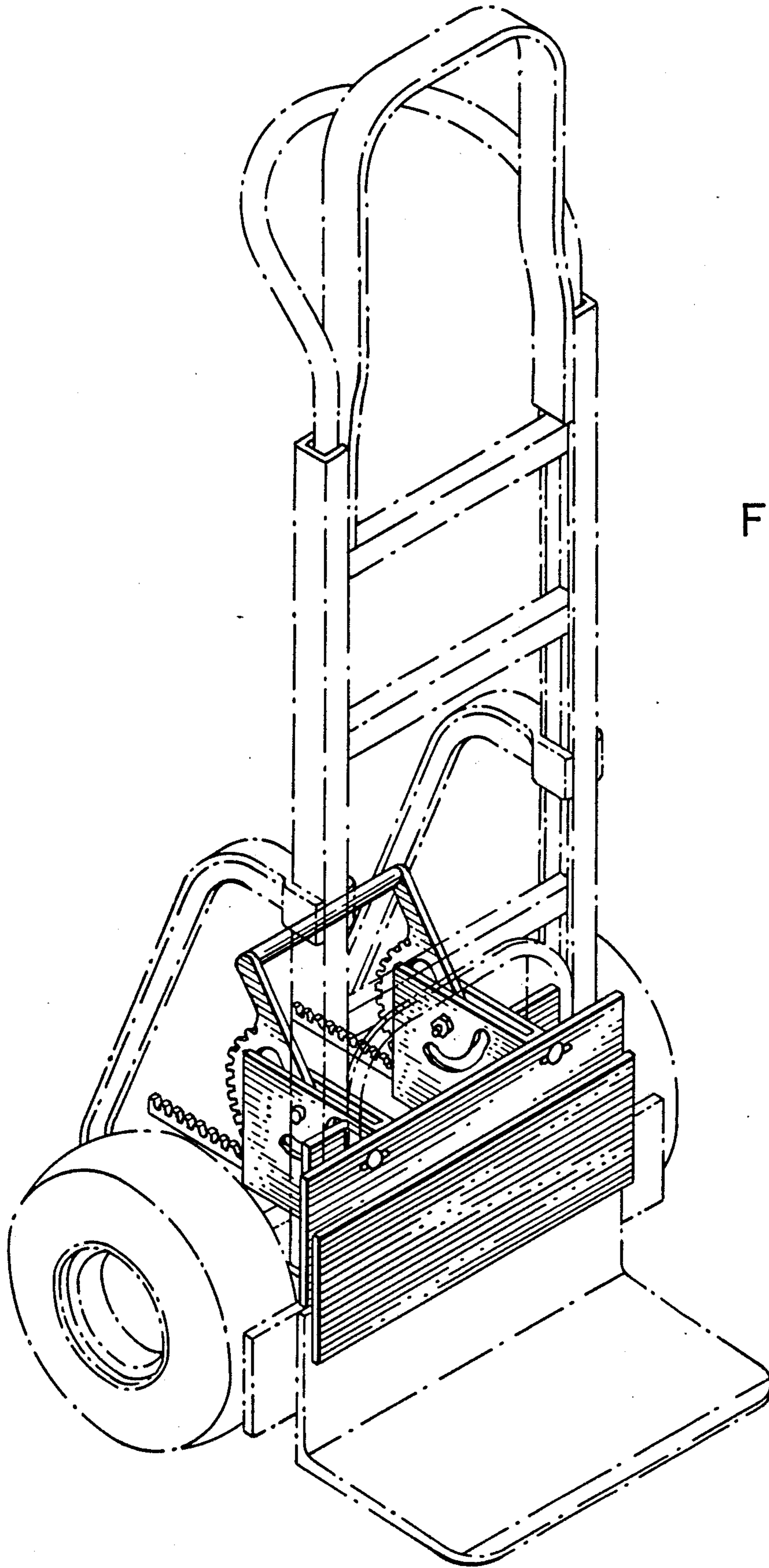


Fig. 1.

Fig. 2.

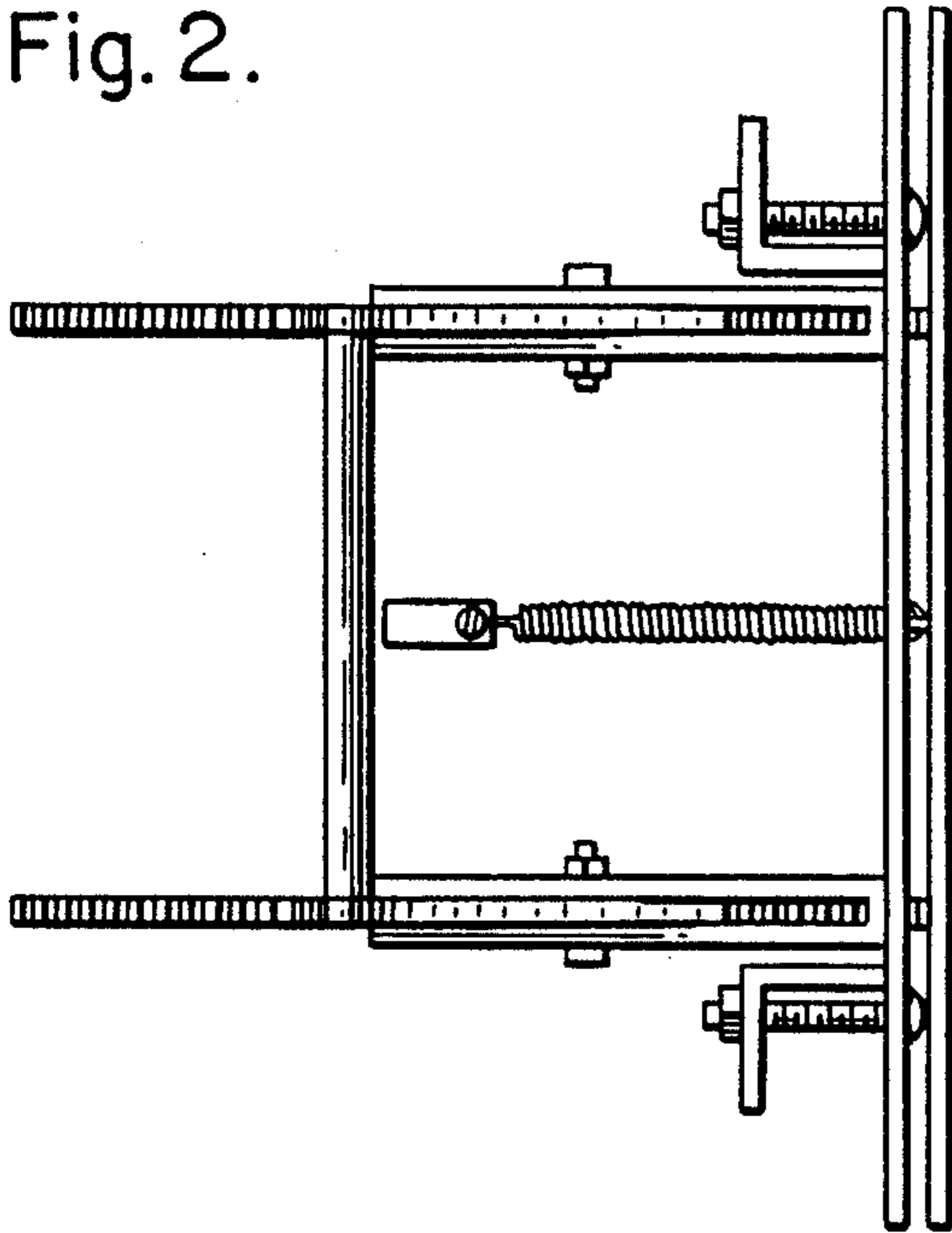


Fig. 3.

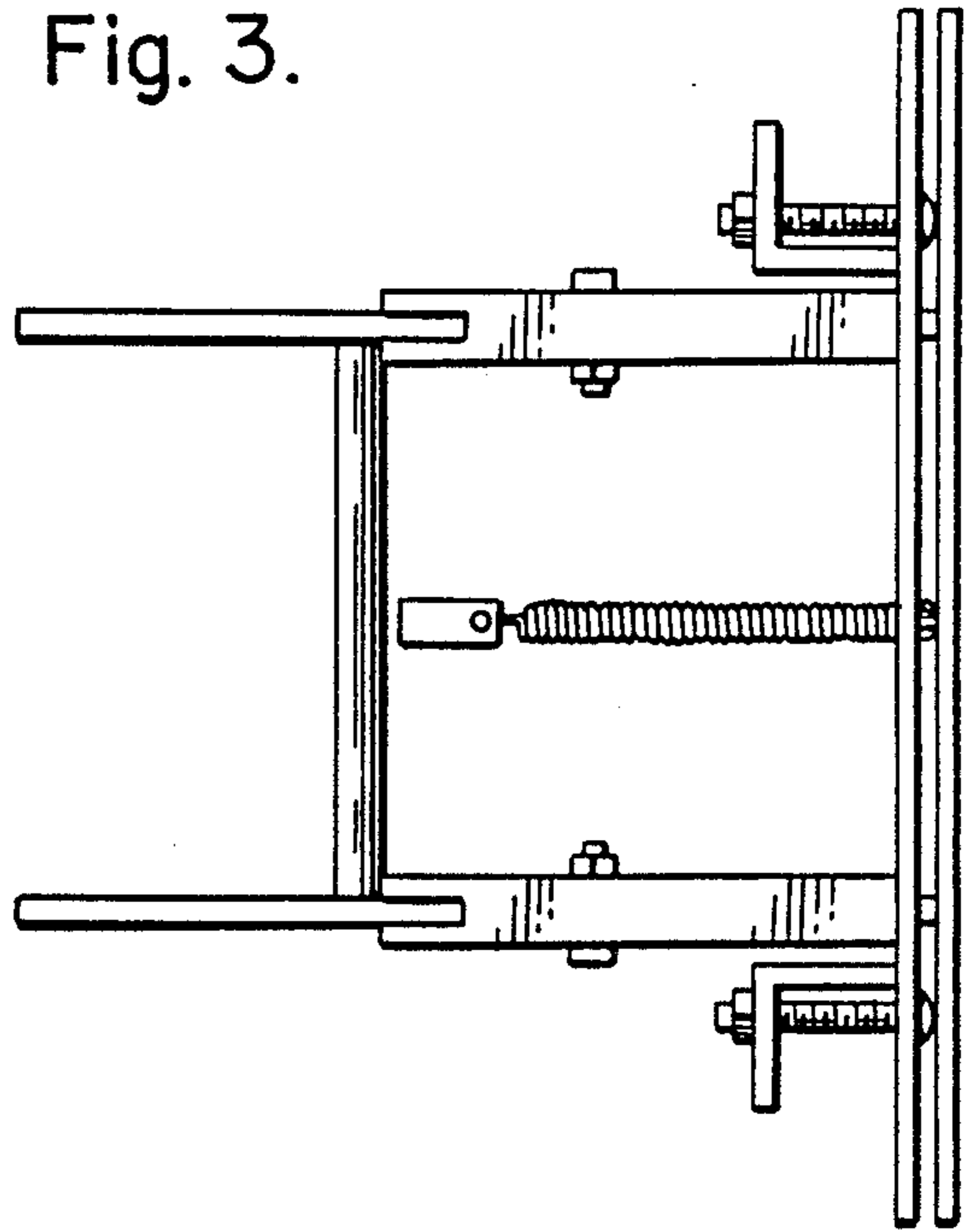


Fig. 4.

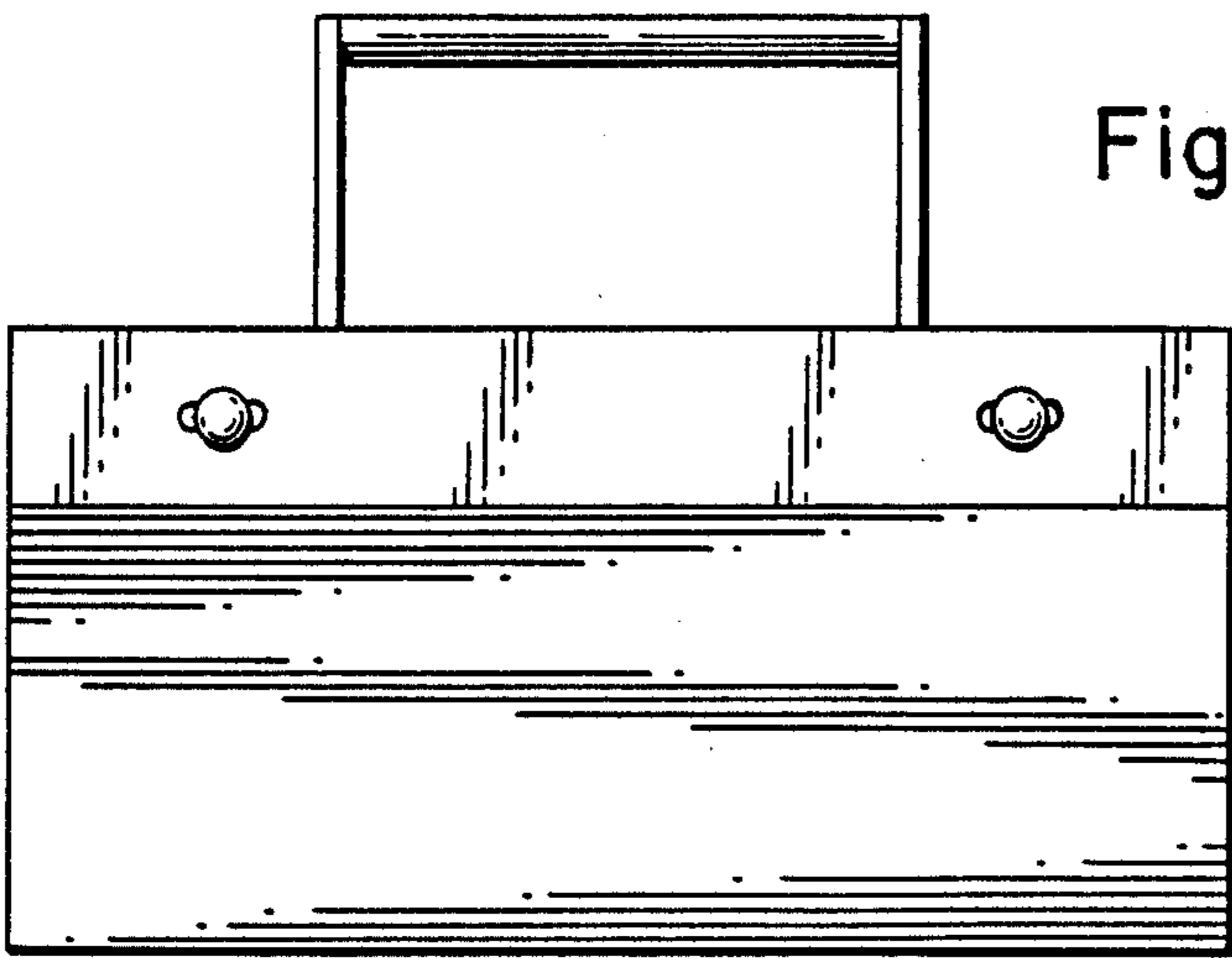


Fig. 5.

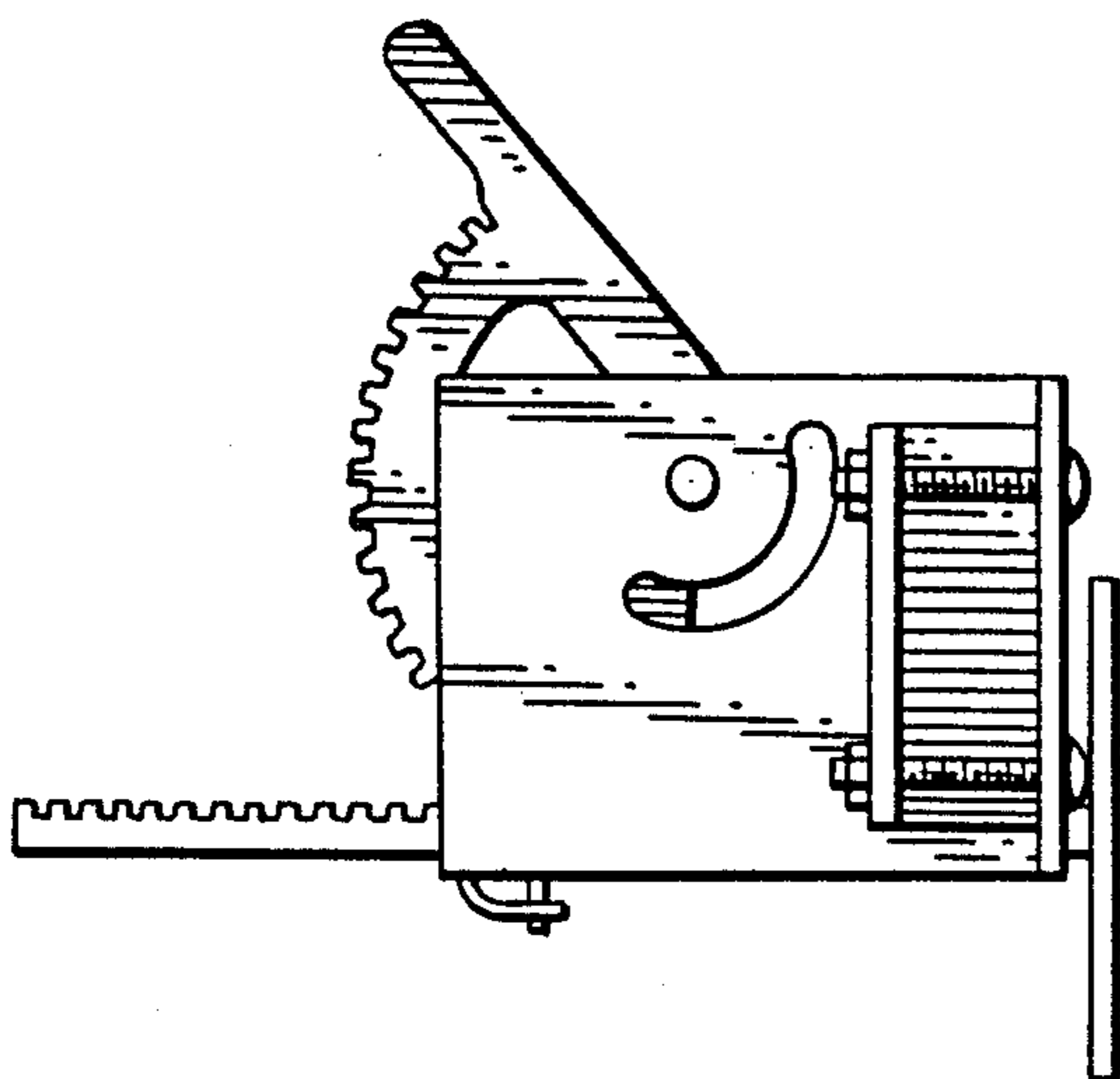
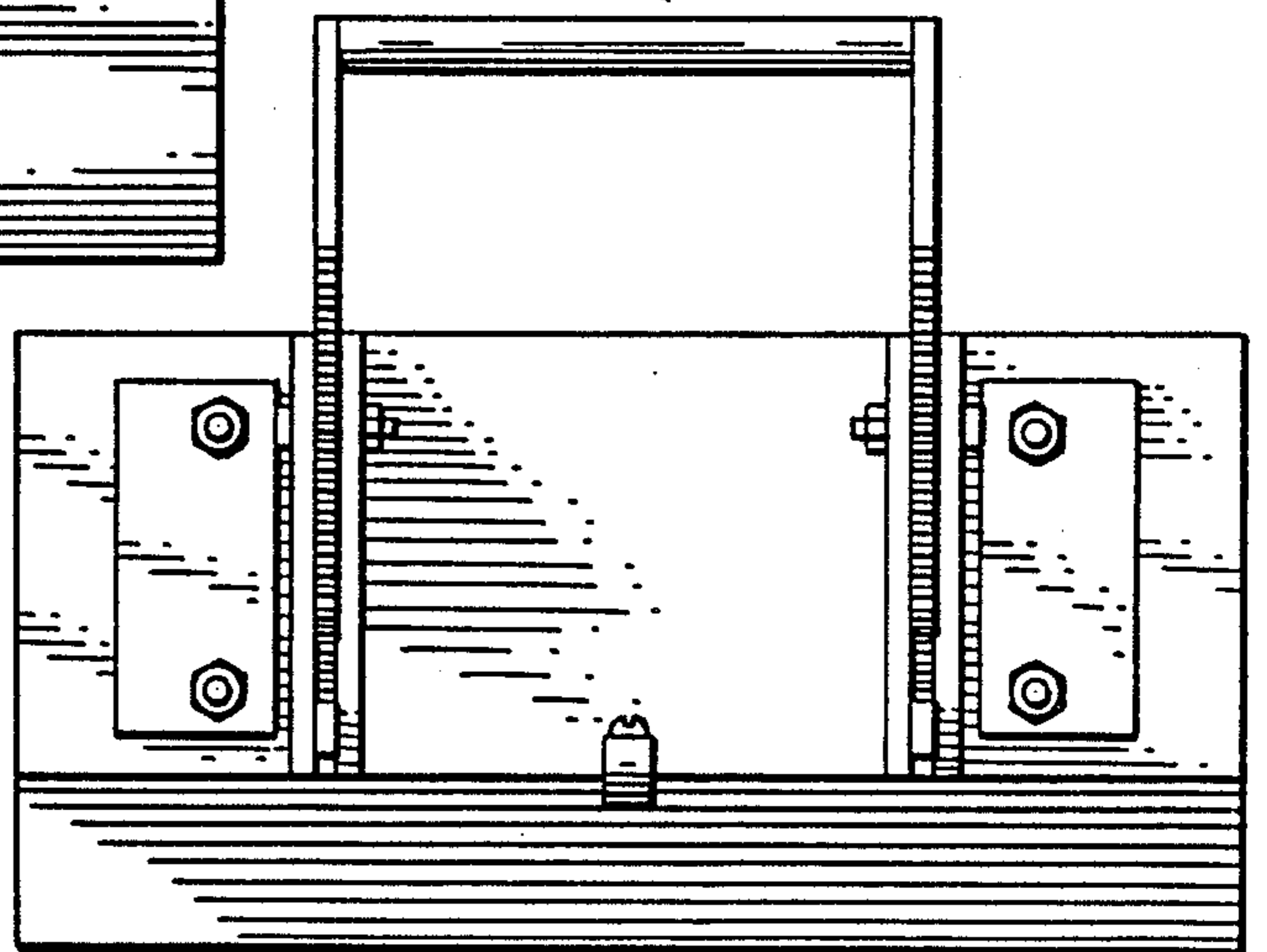


Fig. 6.