

[54] TIRE AND WHEEL CADDIE

4,478,429 10/1984 Adams 280/47.29
4,545,531 10/1985 Williams D34/15

[75] Inventors: Paul E. Faykosh, Pemberville; John C. Hoiles, Wayne, both of Ohio

FOREIGN PATENT DOCUMENTS

[73] Assignee: Fayjay Tool, Inc., Wayne, Ohio

3340977 5/1985 Fed. Rep. of Germany ... 280/47.26

[**] Term: 14 Years

Primary Examiner—Wallace R. Burke
Assistant Examiner—Kay H. Chin
Attorney, Agent, or Firm—Marshall & Melhorn

[21] Appl. No.: 213,592

[57] CLAIM

[22] Filed: Jun. 30, 1988

The ornamental design for a tire and wheel caddie, as shown and described.

[52] U.S. Cl. D34/23; D34/26; D34/15

[58] Field of Search D34/12, 23, 24, 26, D34/18; 280/79.11, 47.29, 47.23, 47.26, 47.13, 47.17, 652, 47.27; 211/24, 23

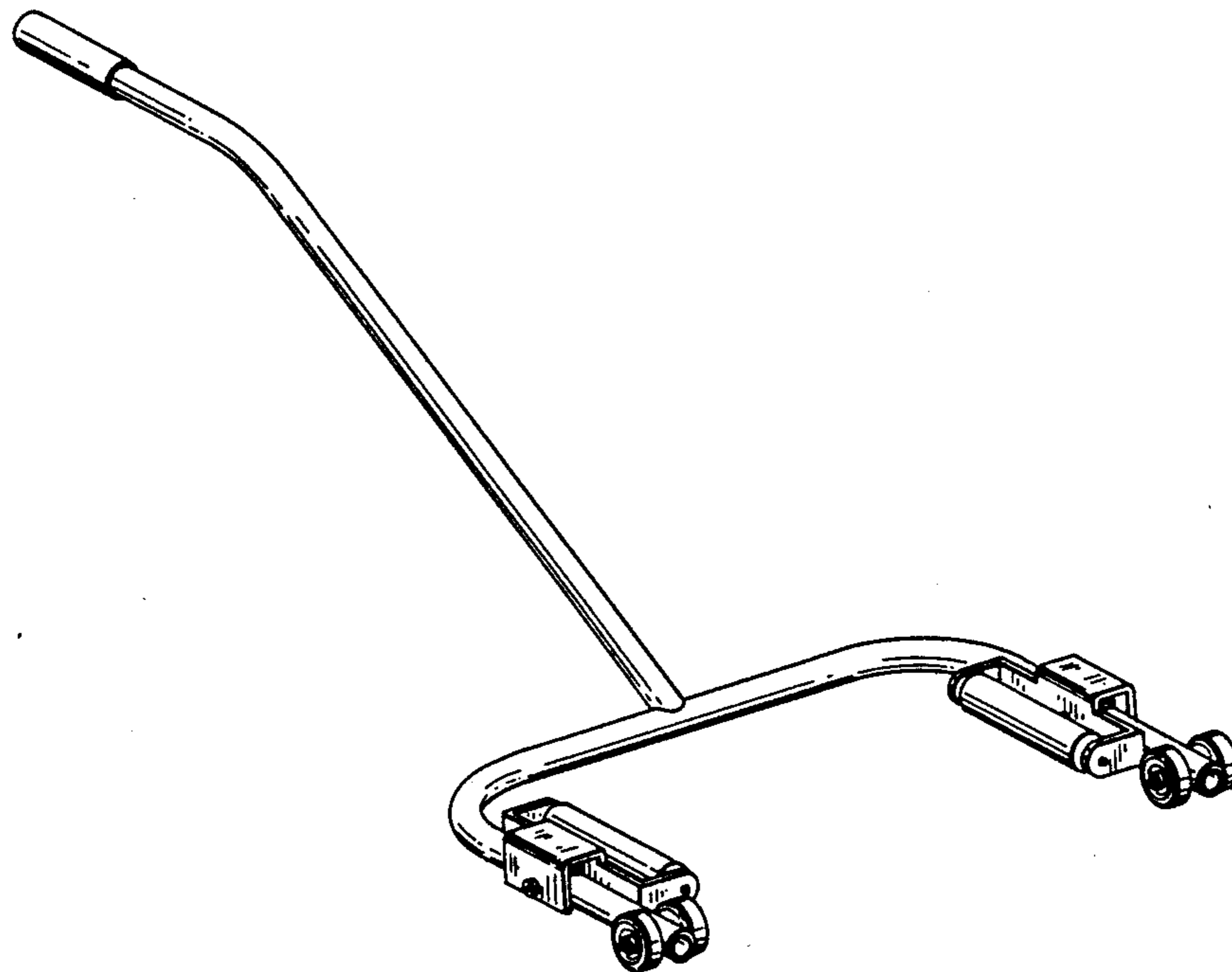
DESCRIPTION

[56] References Cited

U.S. PATENT DOCUMENTS

D. 303,443 9/1989 Shoctor D34/18
2,546,509 3/1951 Huff 280/47.23
3,873,119 3/1975 Koch 280/79.11
4,037,858 7/1977 Adams 280/47.29

FIG. 1 is a perspective view of a tire and wheel caddie showing our new design;
FIG. 2 is a top plan view thereof;
FIG. 3 is a front elevational view thereof;
FIG. 4 is a right side elevational view thereof;
FIG. 5 is a rear elevational view thereof;
FIG. 6 is a bottom plan view thereof; and
FIG. 7 is a sectional view taken along line 7—7 of FIG. 2, thereof.



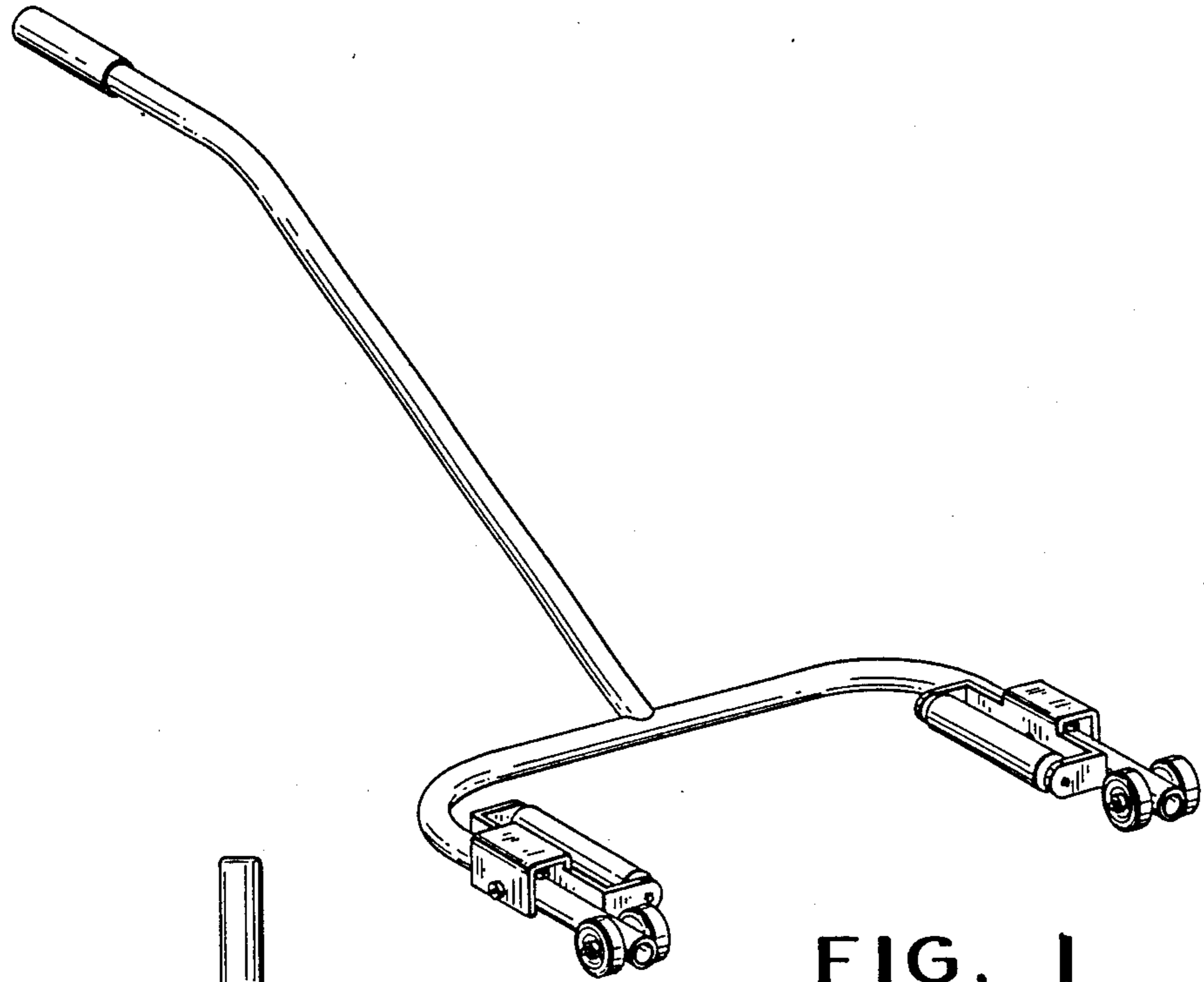


FIG. 1

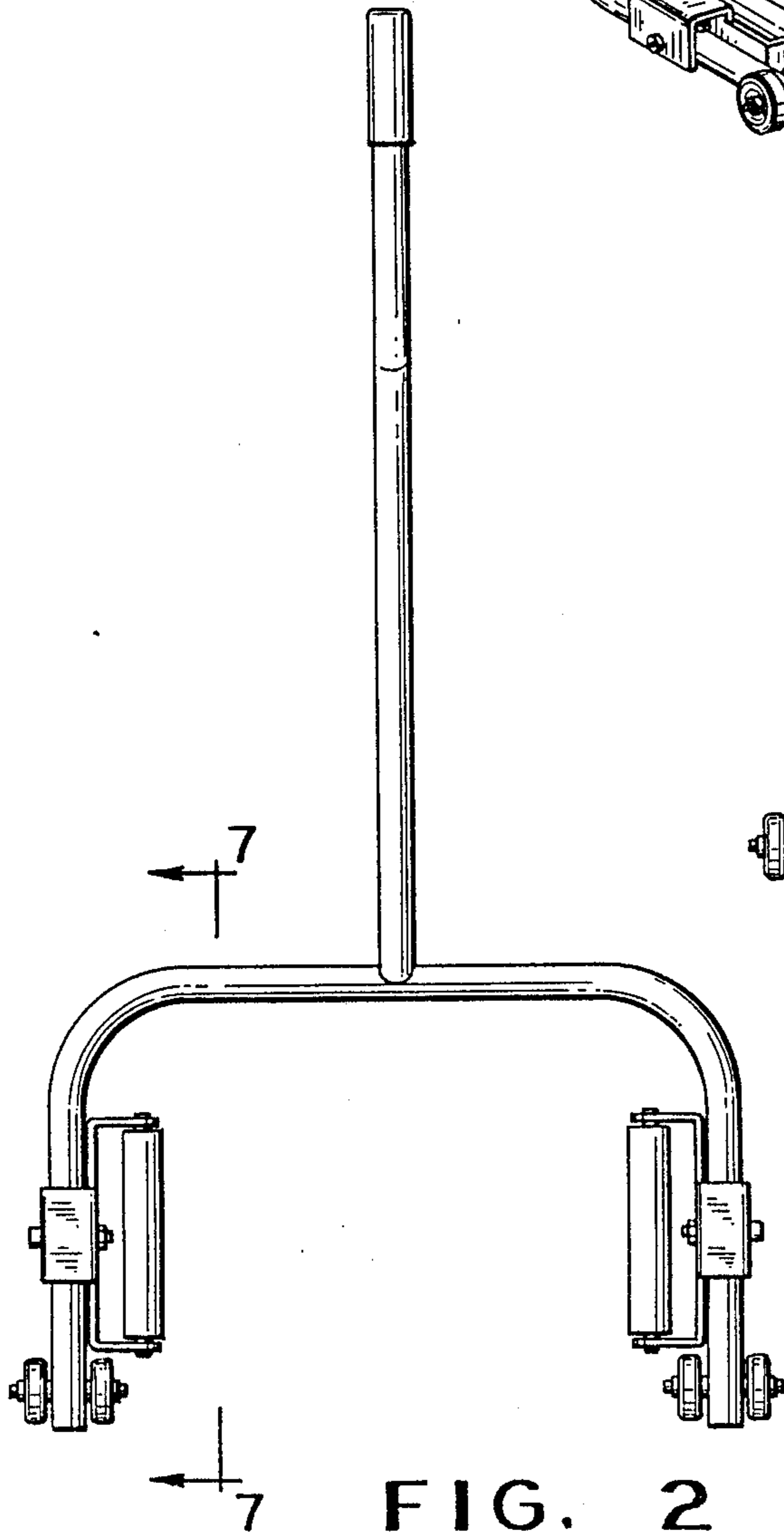


FIG. 2

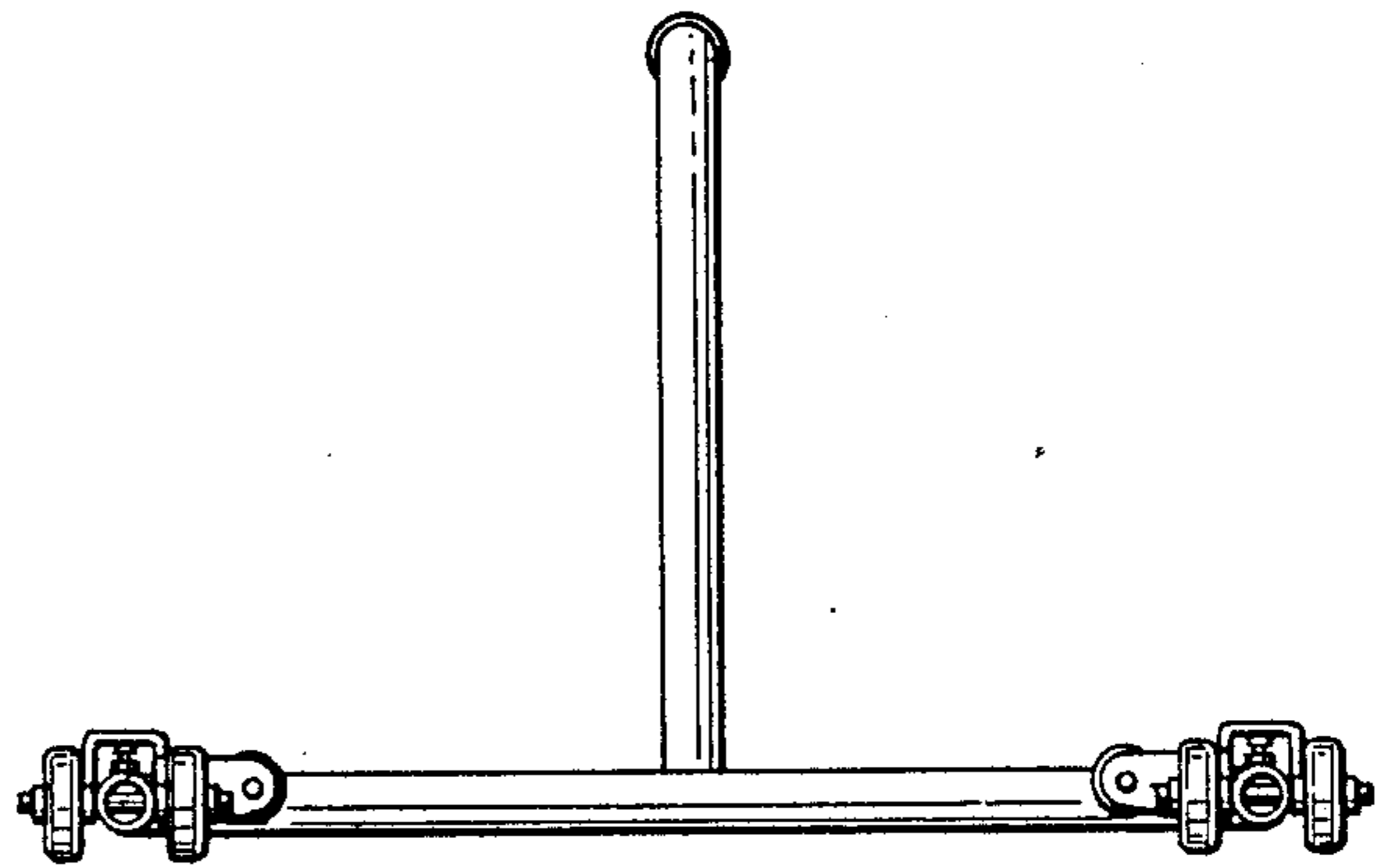


FIG. 3

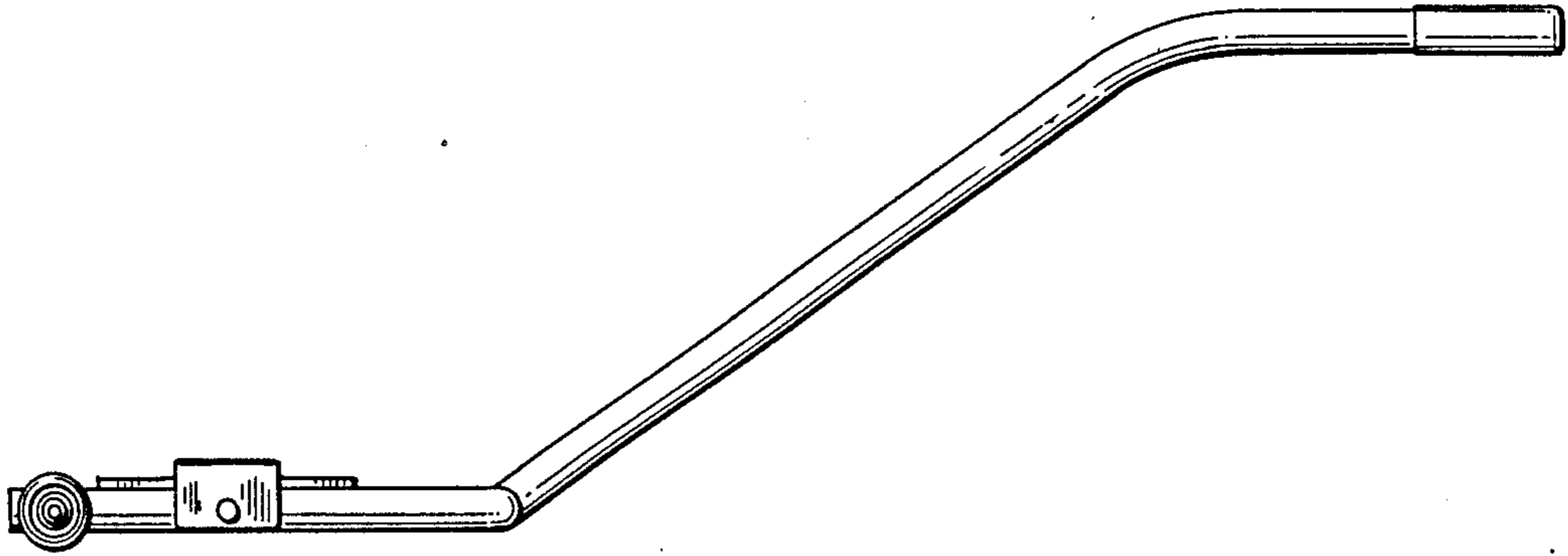


FIG. 4

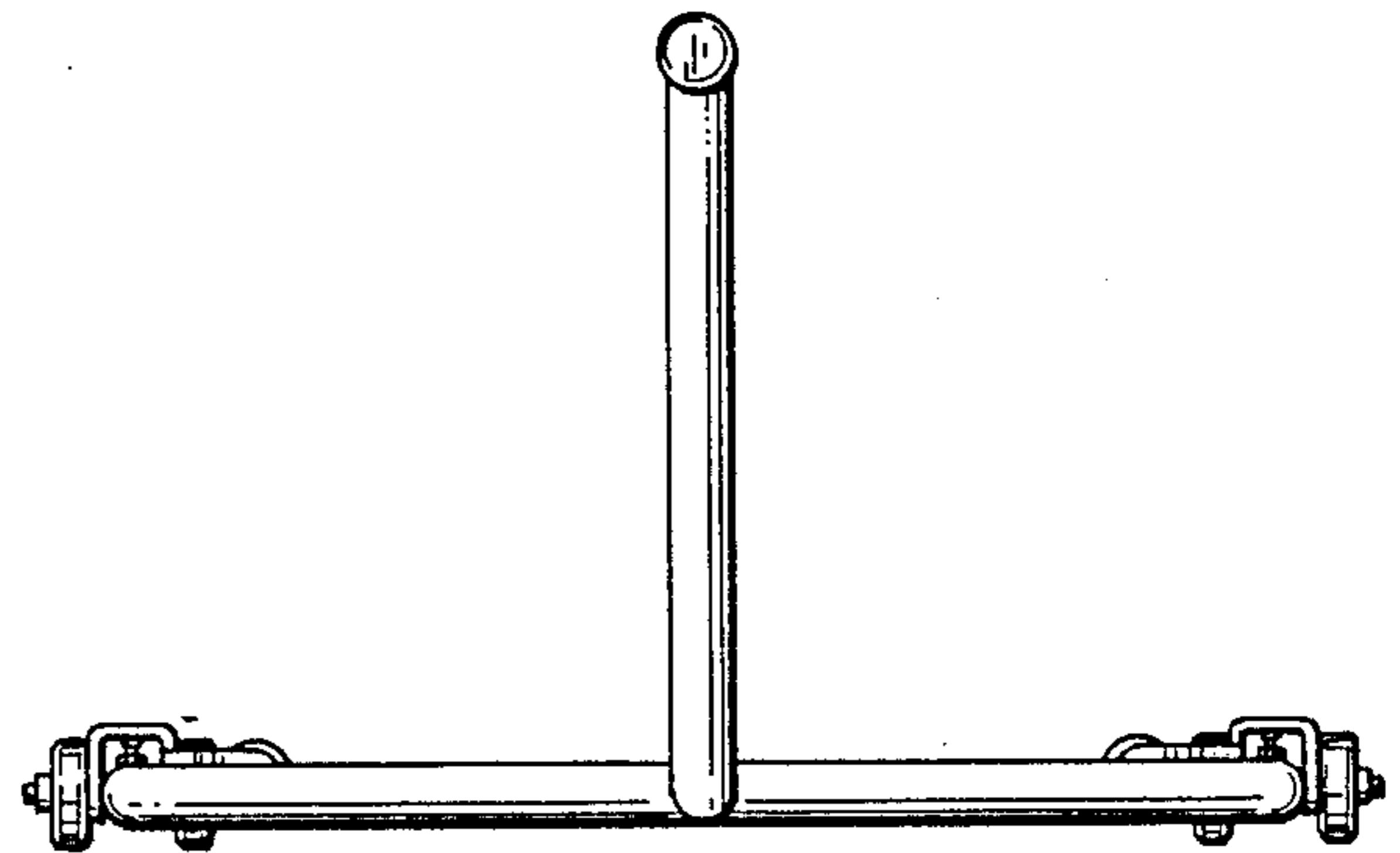


FIG. 5

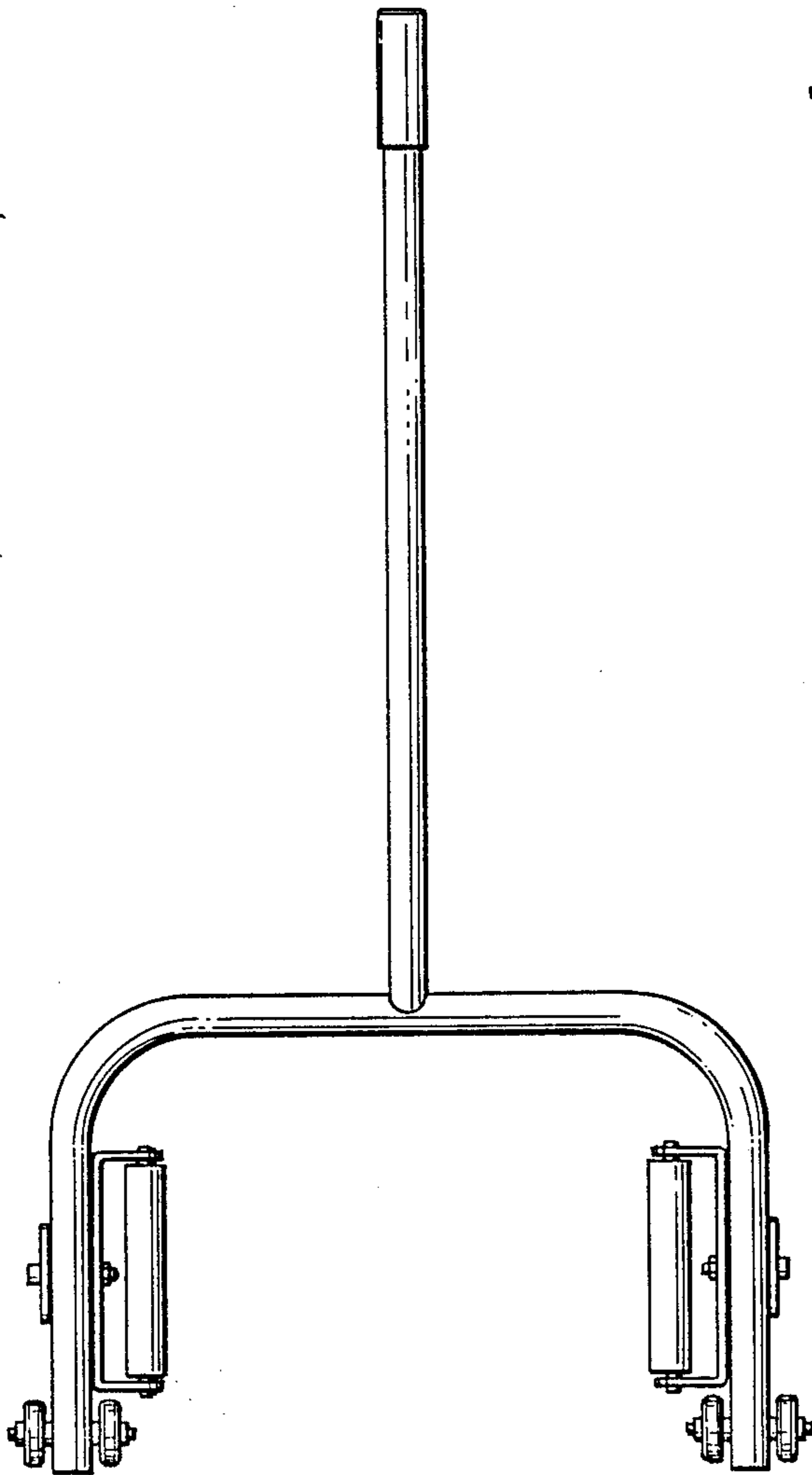


FIG. 6

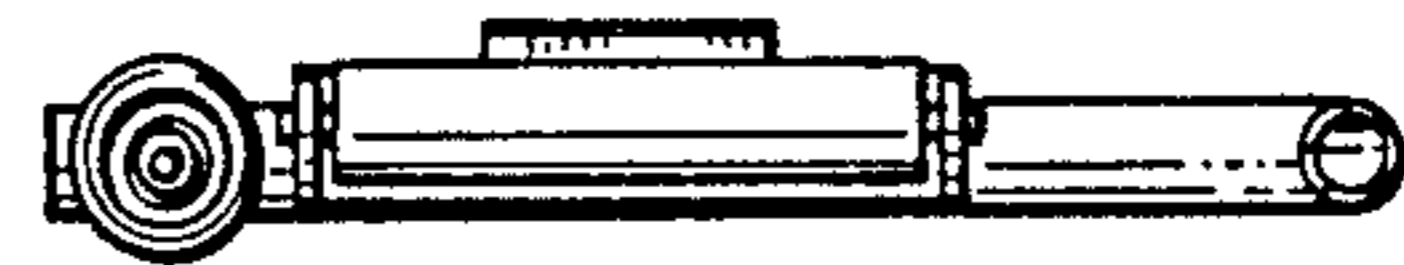


FIG. 7