

[54] CARPET CLEANER HANDLE
 [75] Inventor: Gordon W. Goodrich, Grand Rapids, Mich.
 [73] Assignee: Bissell, Inc., Grand Rapids, Mich.
 [**] Term: 14 Years
 [21] Appl. No.: 28,299
 [22] Filed: Mar. 20, 1987
 [52] U.S. Cl. D32/34
 [58] Field of Search D32/1, 15-16, D32/21-23, 25, 31-34; 15/143 R, 143 A, 320, 323, 352-353, 410-411, DIG. 10; 173/170

4,174,473 11/1979 Brenneman 15/DIG. 10
 4,349,935 9/1982 Knestele 15/320
 4,472,855 9/1984 Murphy et al. 15/323
 4,809,397 3/1989 Jacobs et al. 15/410

Primary Examiner—A. Hugo Word
 Assistant Examiner—Ruth McInroy
 Attorney, Agent, or Firm—Price, Heneveld, Cooper, DeWitt & Litton

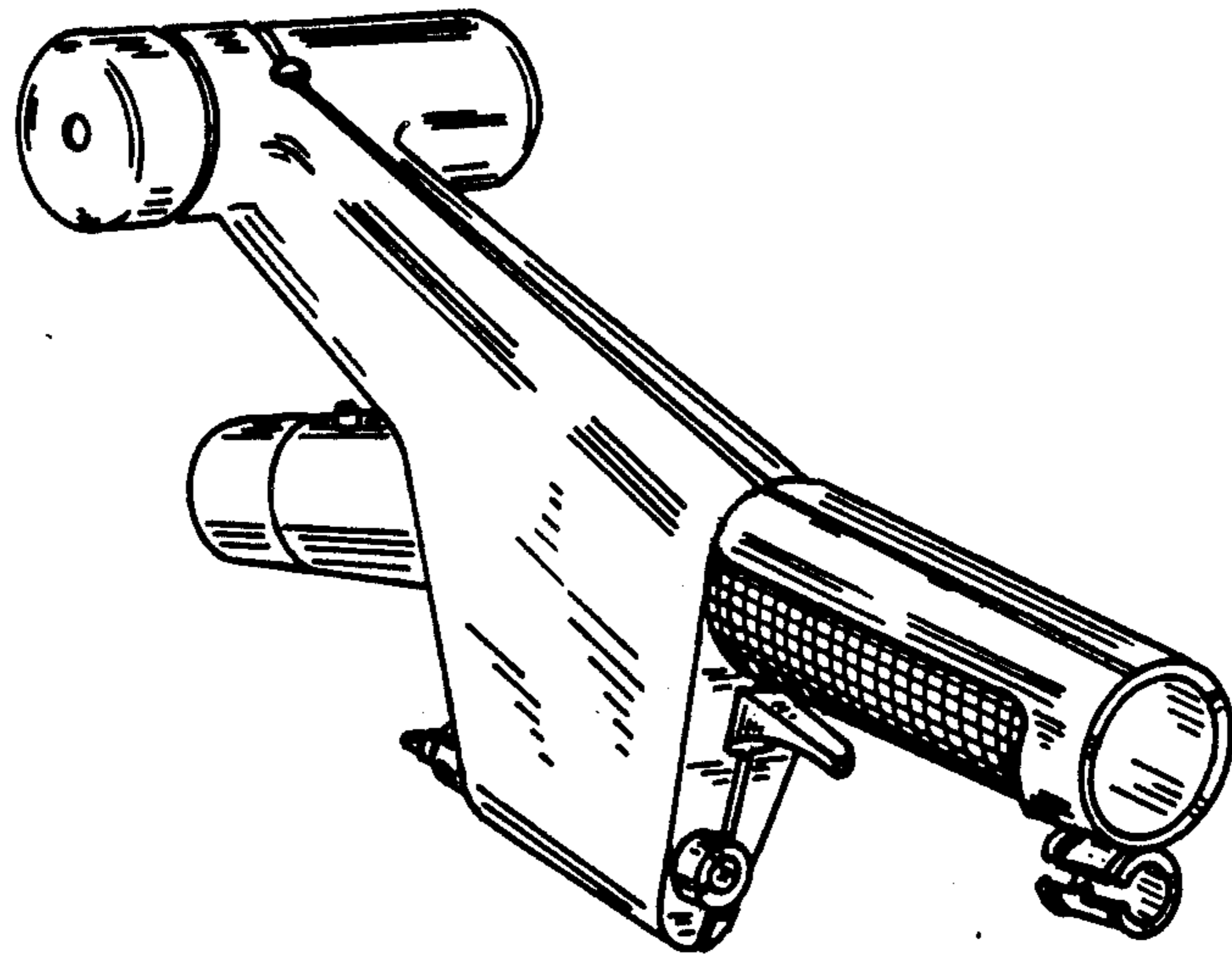
[57] CLAIM

The ornamental design for a carpet cleaner handle, as shown.

DESCRIPTION

FIG. 1 is a perspective view taken from the top, rear and left side of a handle for use with carpet cleaner handle showing my new design;
 FIG. 2 is a front elevational view thereof;
 FIG. 3 is a right side elevational view thereof;
 FIG. 4 is a left side elevational view thereof;
 FIG. 5 is a top plan view thereof;
 FIG. 6 is a rear elevational view thereof; and
 FIG. 7 is a bottom plan view thereof.

[56] References Cited
 U.S. PATENT DOCUMENTS
 D. 237,036 10/1975 Neceda D15/5
 D. 241,568 9/1976 Herzog D32/34
 D. 259,117 5/1981 Ueda D15/62
 D. 293,498 12/1987 Taylor D32/31
 3,097,890 7/1963 Doyle 15/410
 4,158,575 6/1979 Townsend 134/6



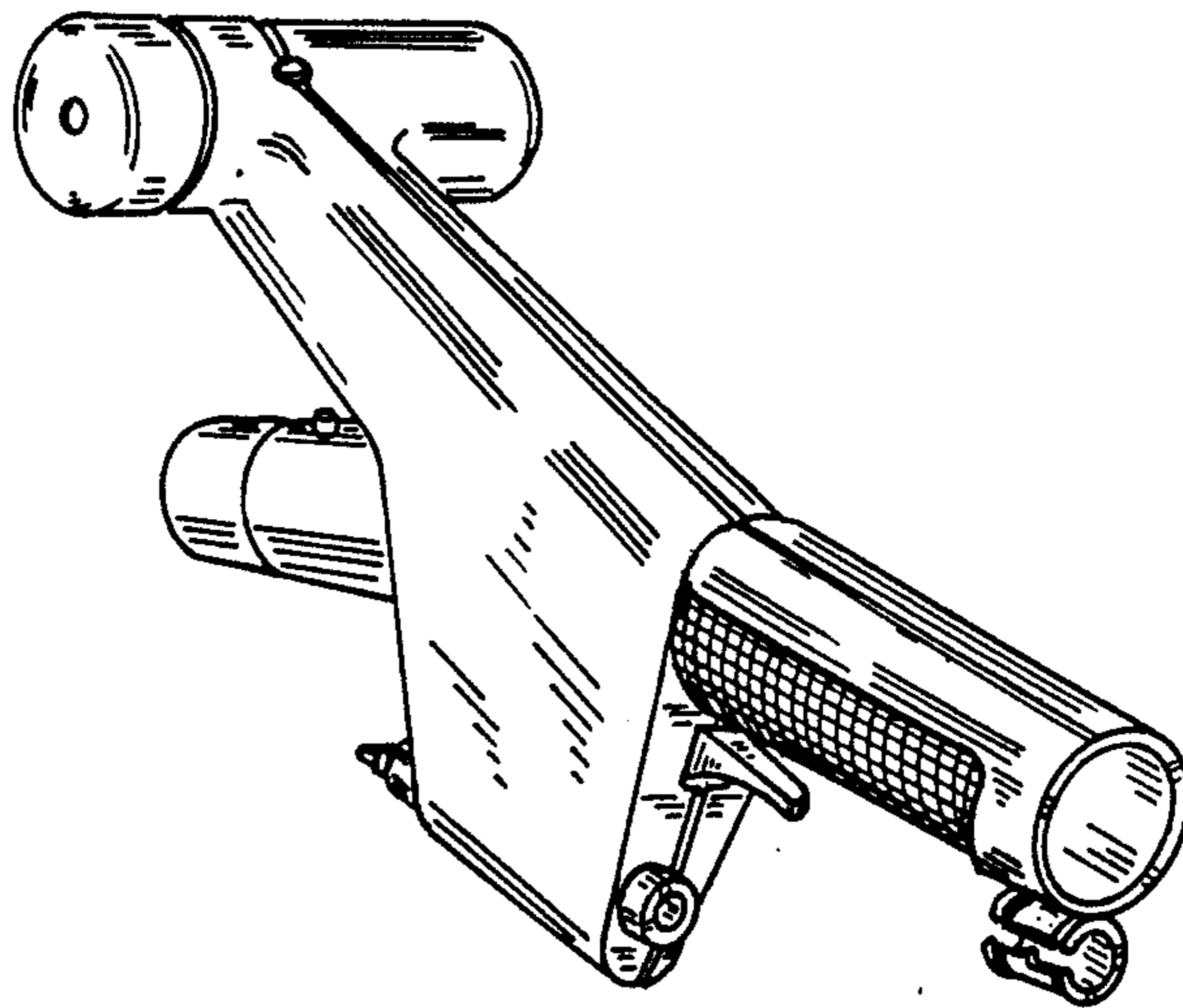


FIG. 1

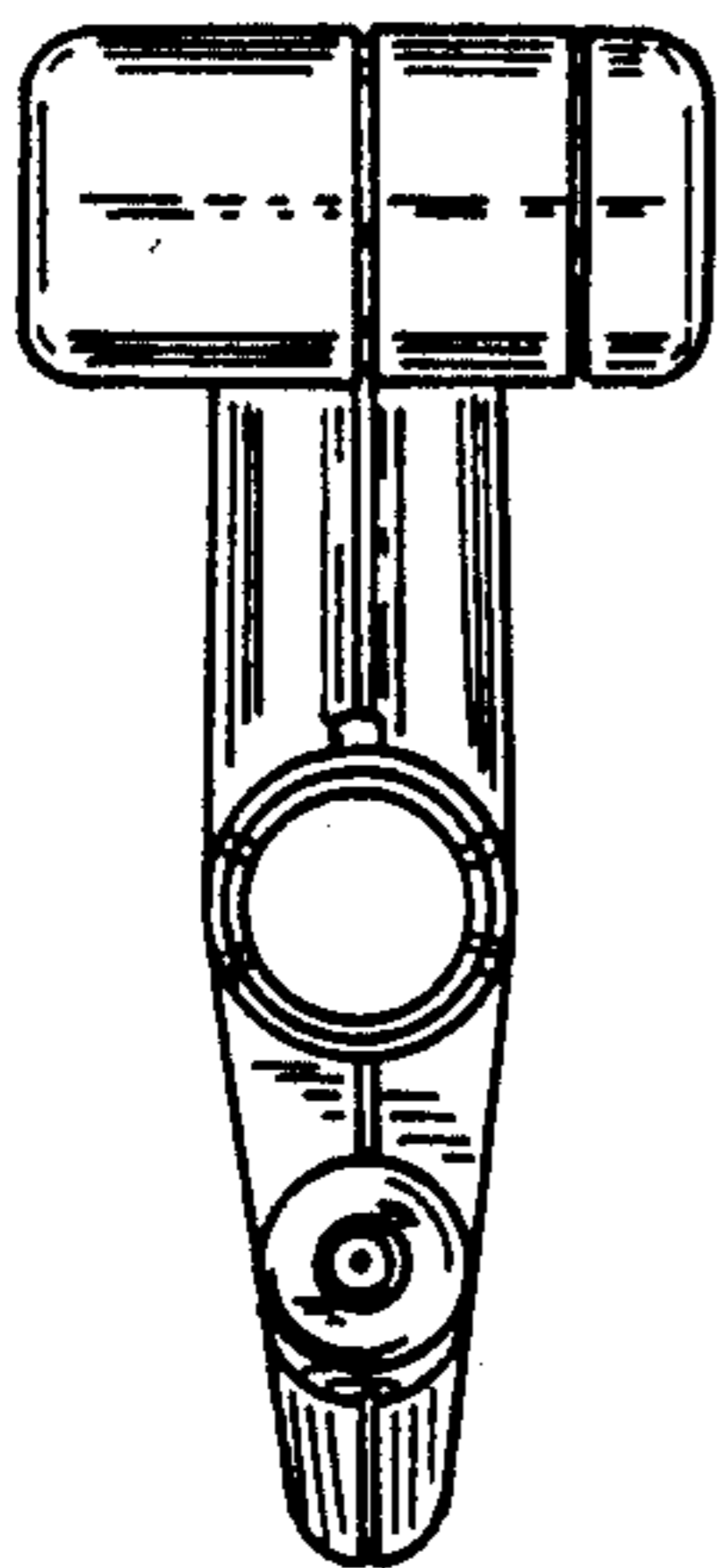


FIG. 2

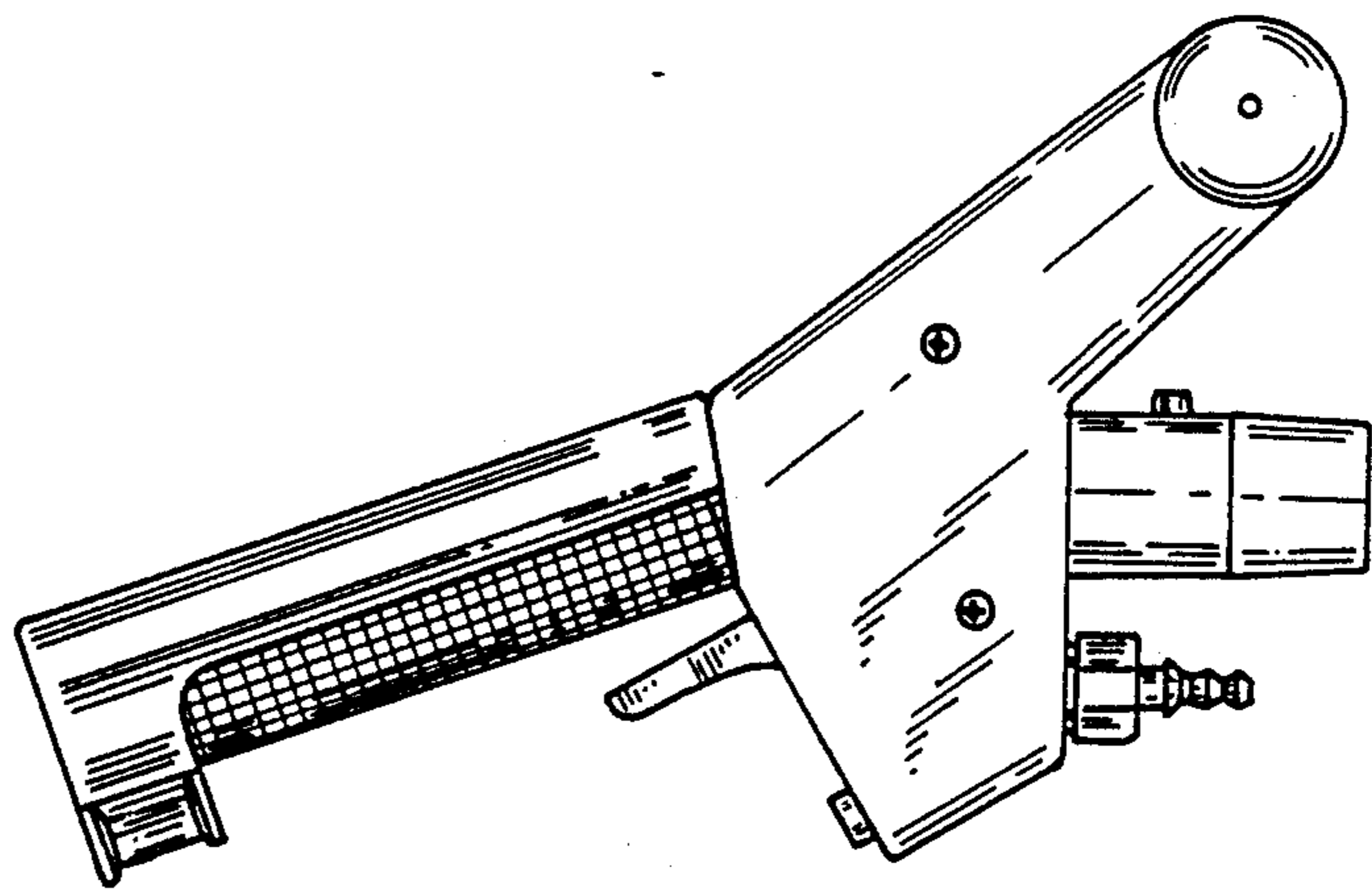


FIG. 3

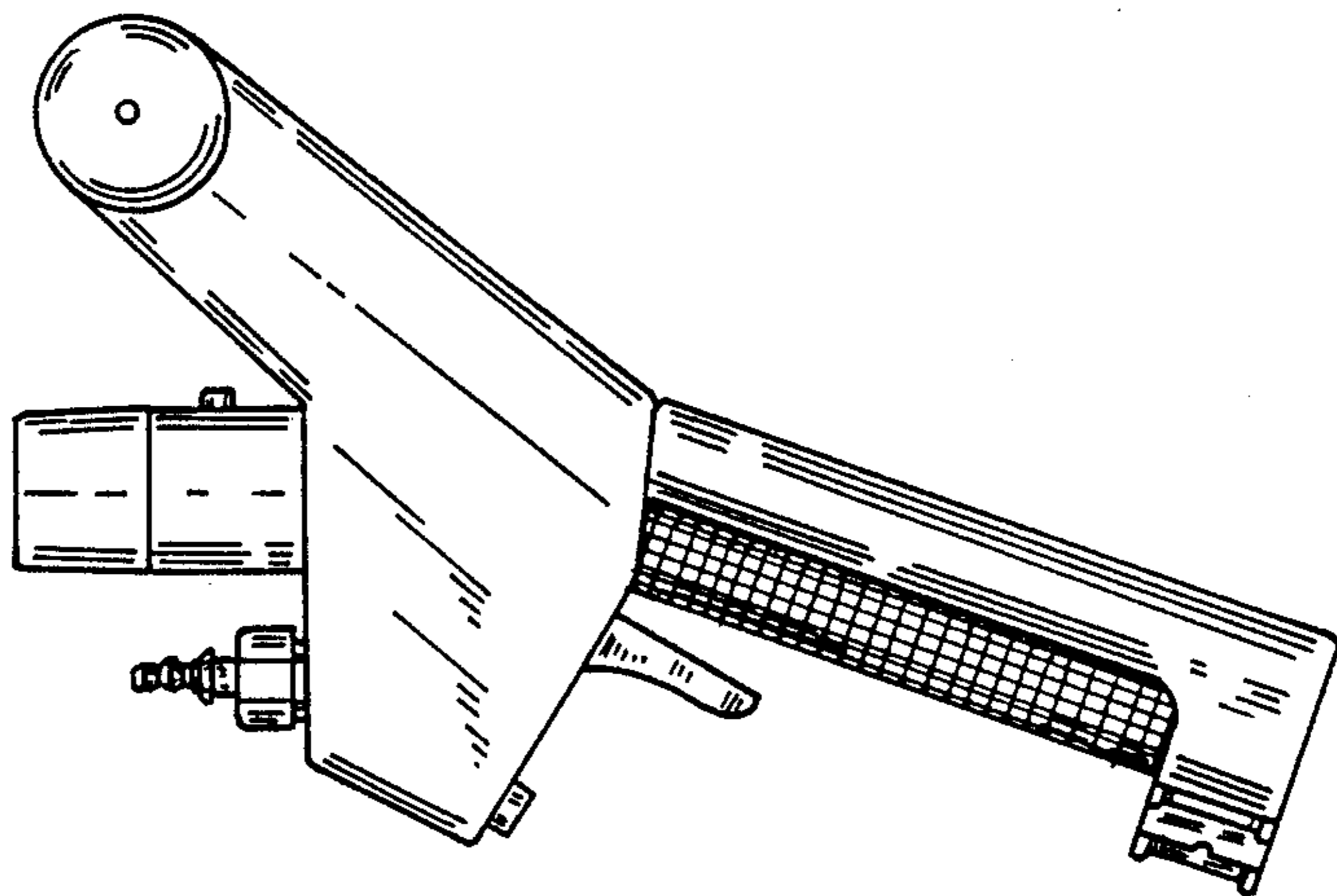


FIG. 4

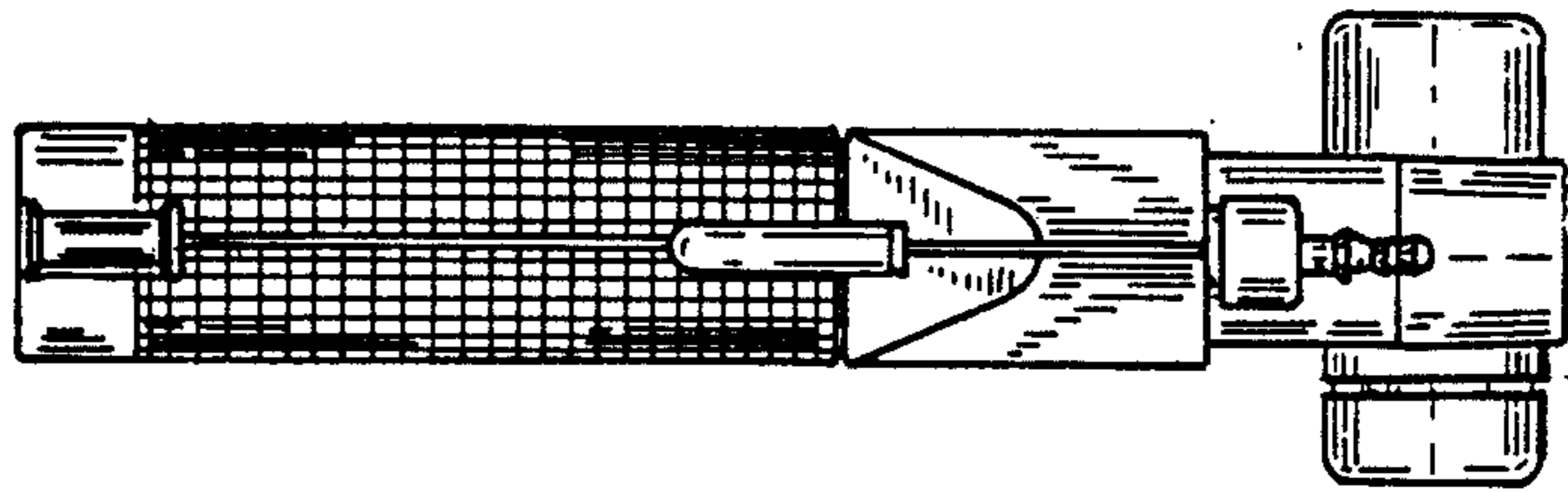


FIG. 7

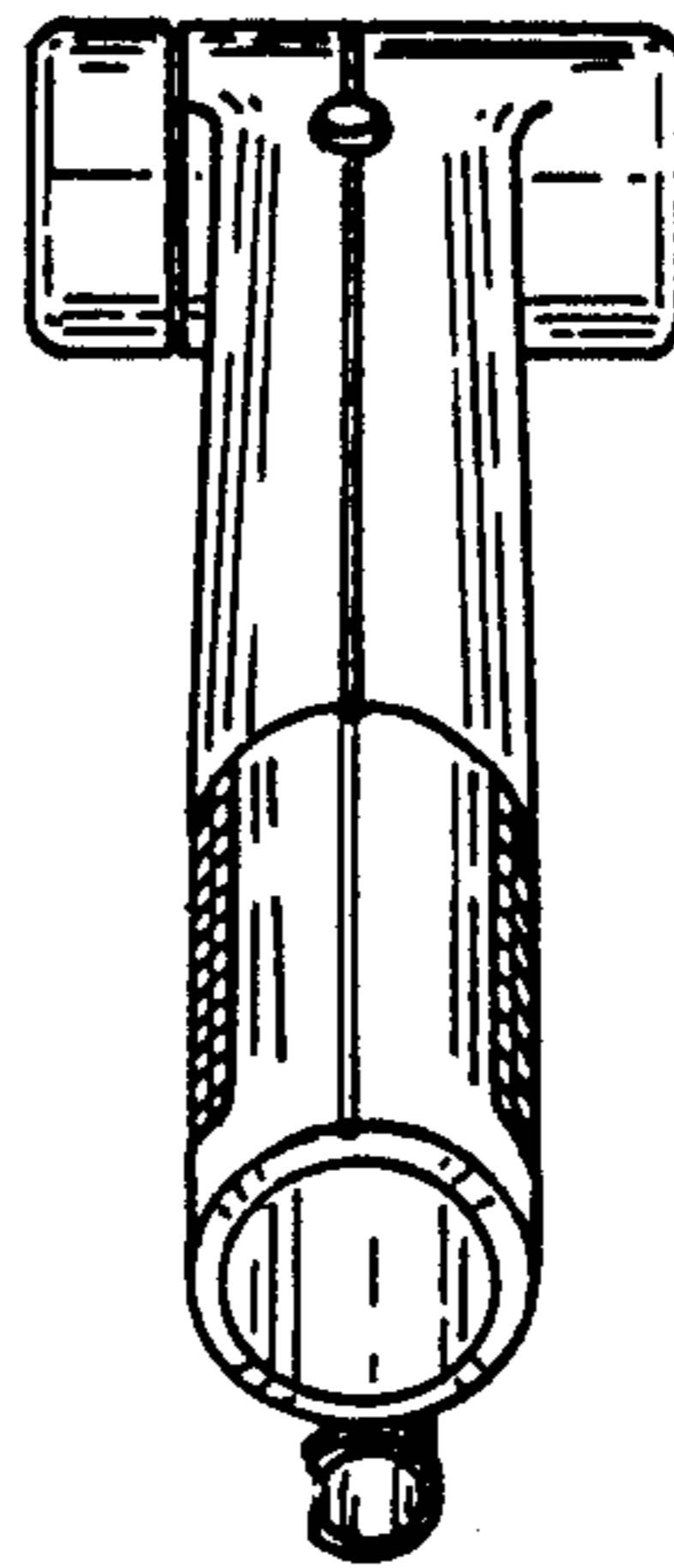


FIG. 6

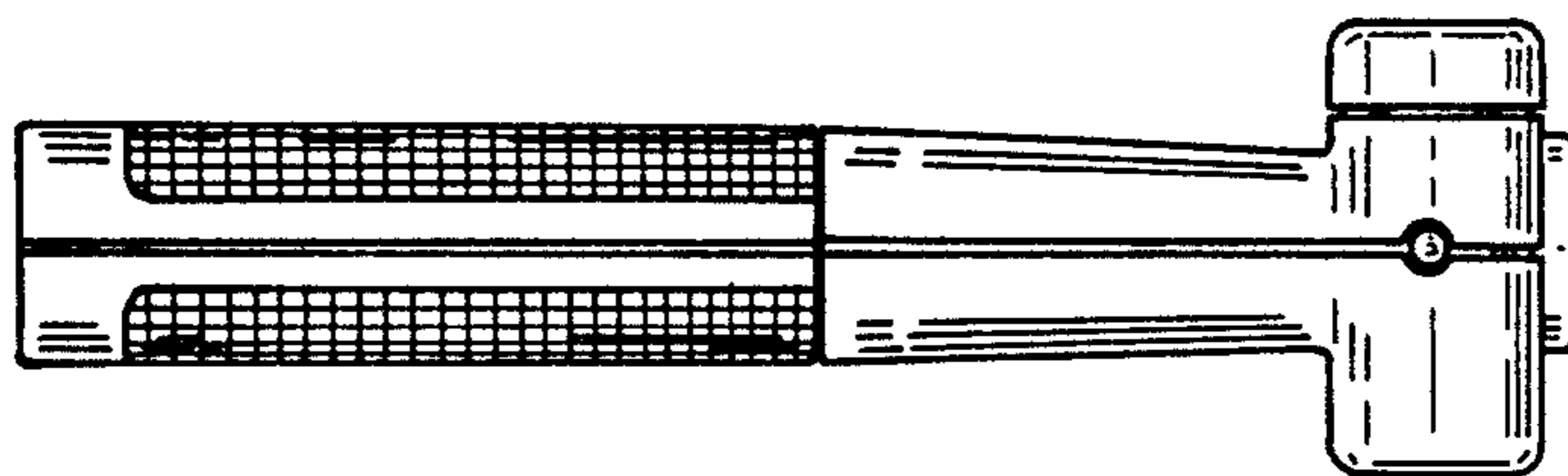


FIG. 5

UNITED STATES PATENT AND TRADEMARK OFFICE
CERTIFICATE OF CORRECTION

PATENT NO. : Des. 310,281
DATED : August 28, 1990
INVENTOR(S) : Gordon W. Goodrich

It is certified that error appears in the above-identified patent and that said Letters Patent is hereby corrected as shown below:

ON TITLE PAGE: In the Description:
In Fig 1:
After "carpet cleaner" delete "handle".

**Signed and Sealed this
Third Day of December, 1991**

Attest:

HARRY F. MANBECK, JR.

Attesting Officer

Commissioner of Patents and Trademarks