

[54] TAPE HOUSING FOR PIPE CLEANING

4,617,693 10/1986 Meyer et al. .... 15/104.33

[75] Inventor: Nicholas W. Moss, Cherry Hill, N.J.

Primary Examiner—A. Hugo Word

Assistant Examiner—Ruth McInroy

[73] Assignee: Cobra Products, Inc., Willingboro, N.J.

Attorney, Agent, or Firm—Panitch Schwarze Jacobs & Nadel

[\*\*] Term: 14 Years

[57] CLAIM

[21] Appl. No.: 938,176

The ornamental design for a tape housing for pipe cleaning, as shown and described.

[22] Filed: Dec. 4, 1986

DESCRIPTION

[52] U.S. Cl. .... D32/14

[58] Field of Search ..... D32/1, 14, 25, 30-31; 15/104.31, 104.32, 104.33

FIG. 1 is a front elevational view of a tape housing for pipe cleaning showing my new design;

FIG. 2 is a rear elevational view thereof;

FIG. 3 is a left side elevational view thereof;

FIG. 4 is a right side elevational view thereof;

FIG. 5 is a top plan view thereof;

FIG. 6 is a bottom plan view thereof; and

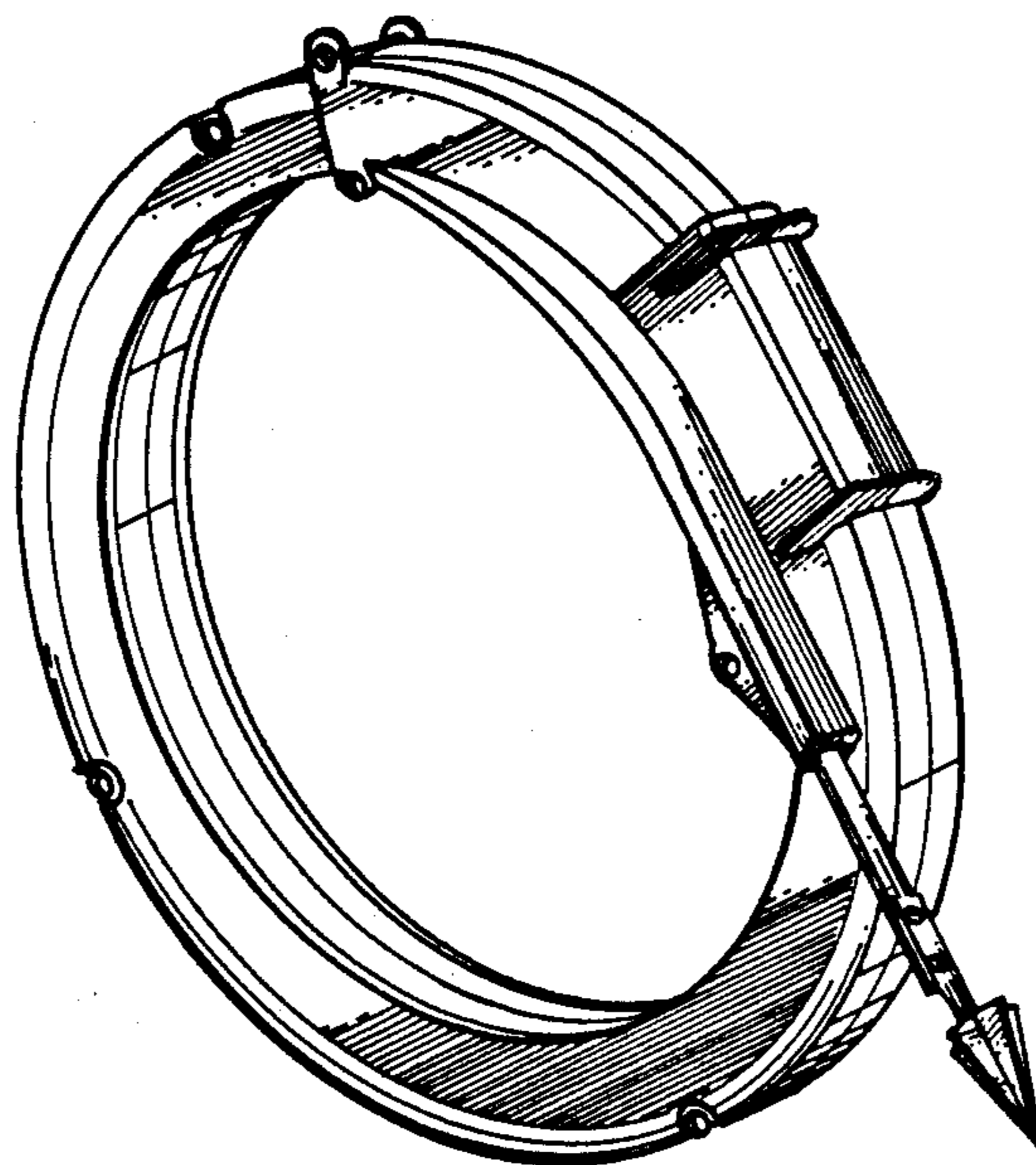
FIG. 7 is a perspective view thereof.

[56] References Cited

U.S. PATENT DOCUMENTS

D. 291,837 9/1987 Flemming ..... D32/25

D. 293,725 1/1988 Kriedeman ..... D32/15



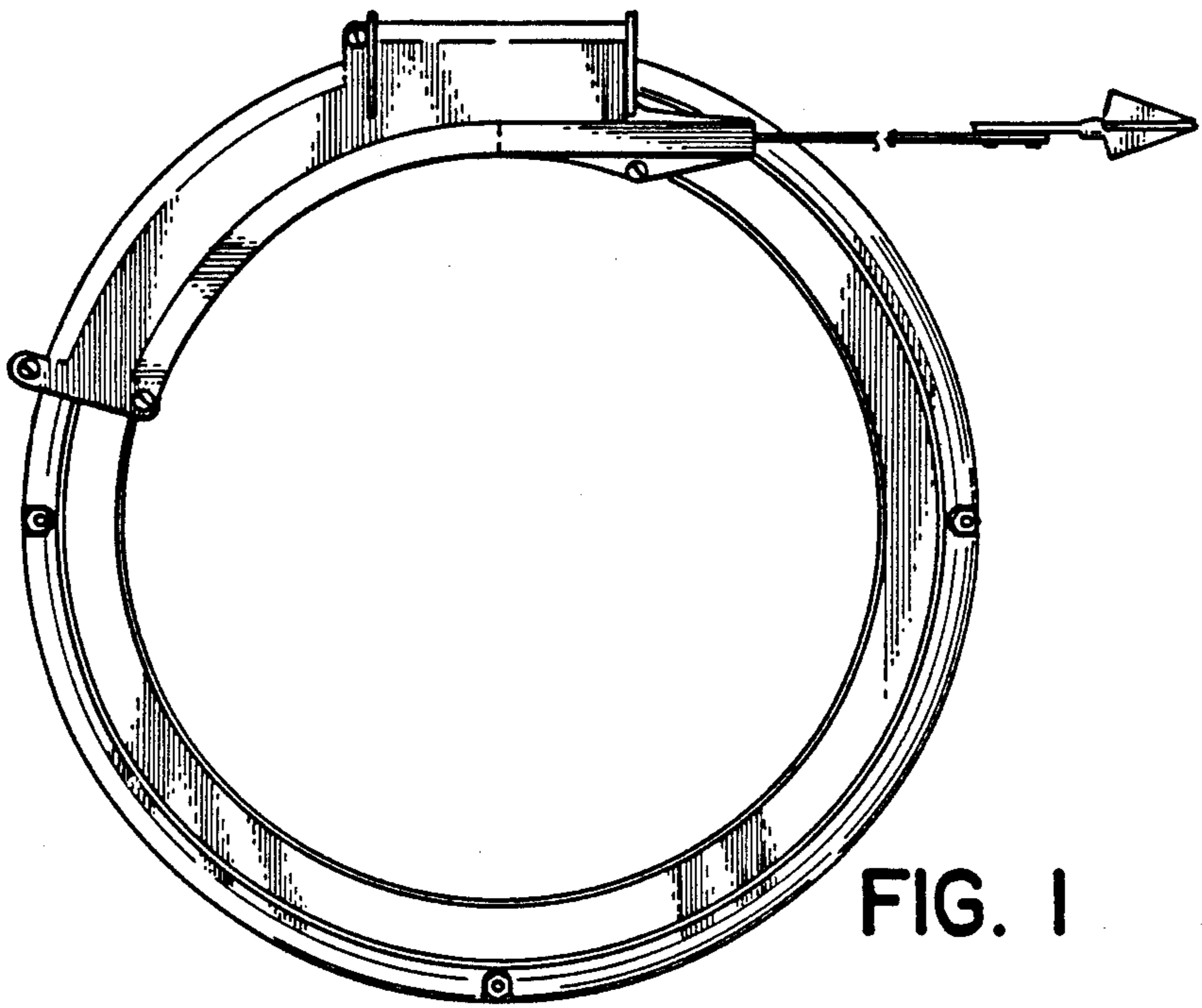


FIG. 1

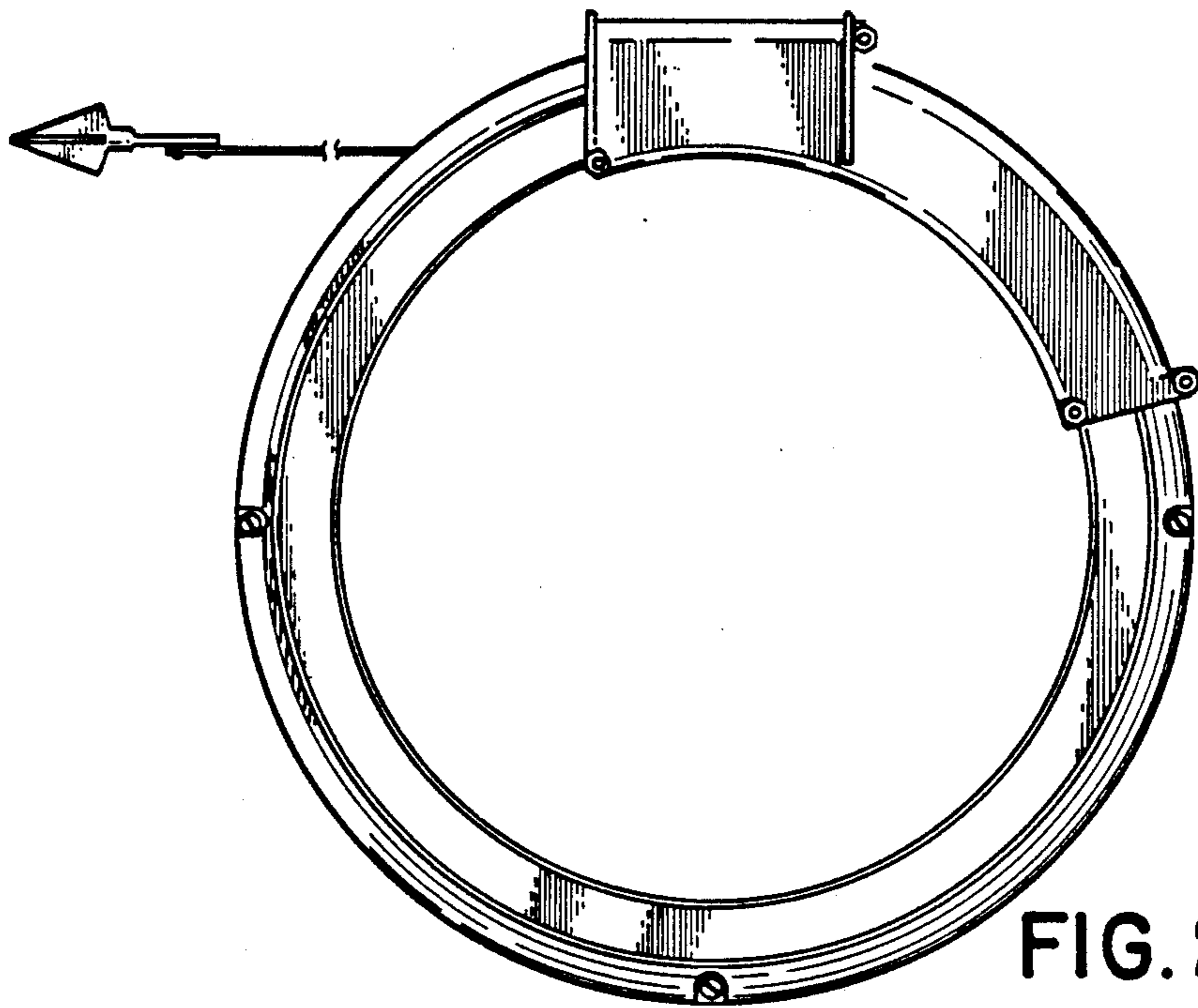


FIG. 2



FIG. 3

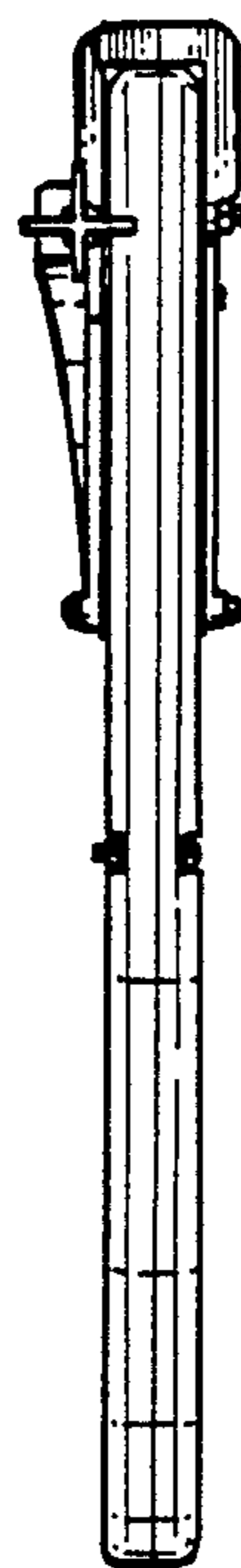


FIG. 4

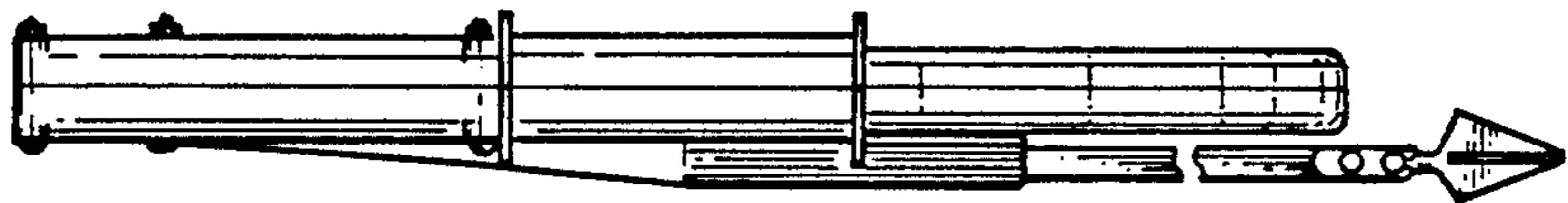


FIG. 5

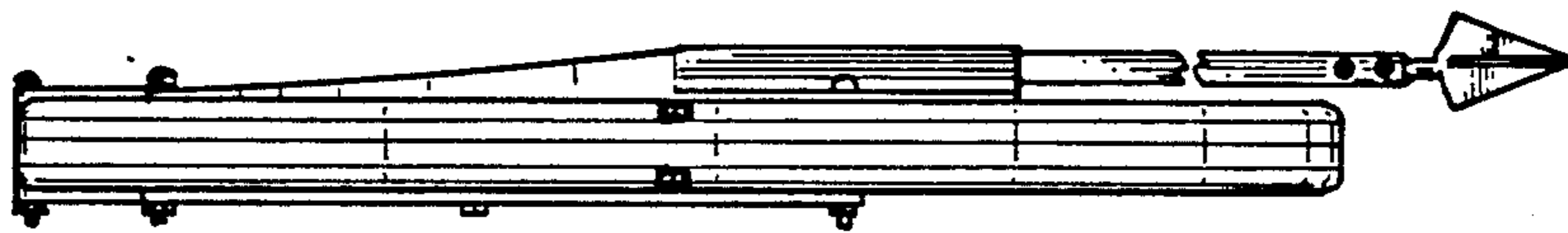


FIG. 6

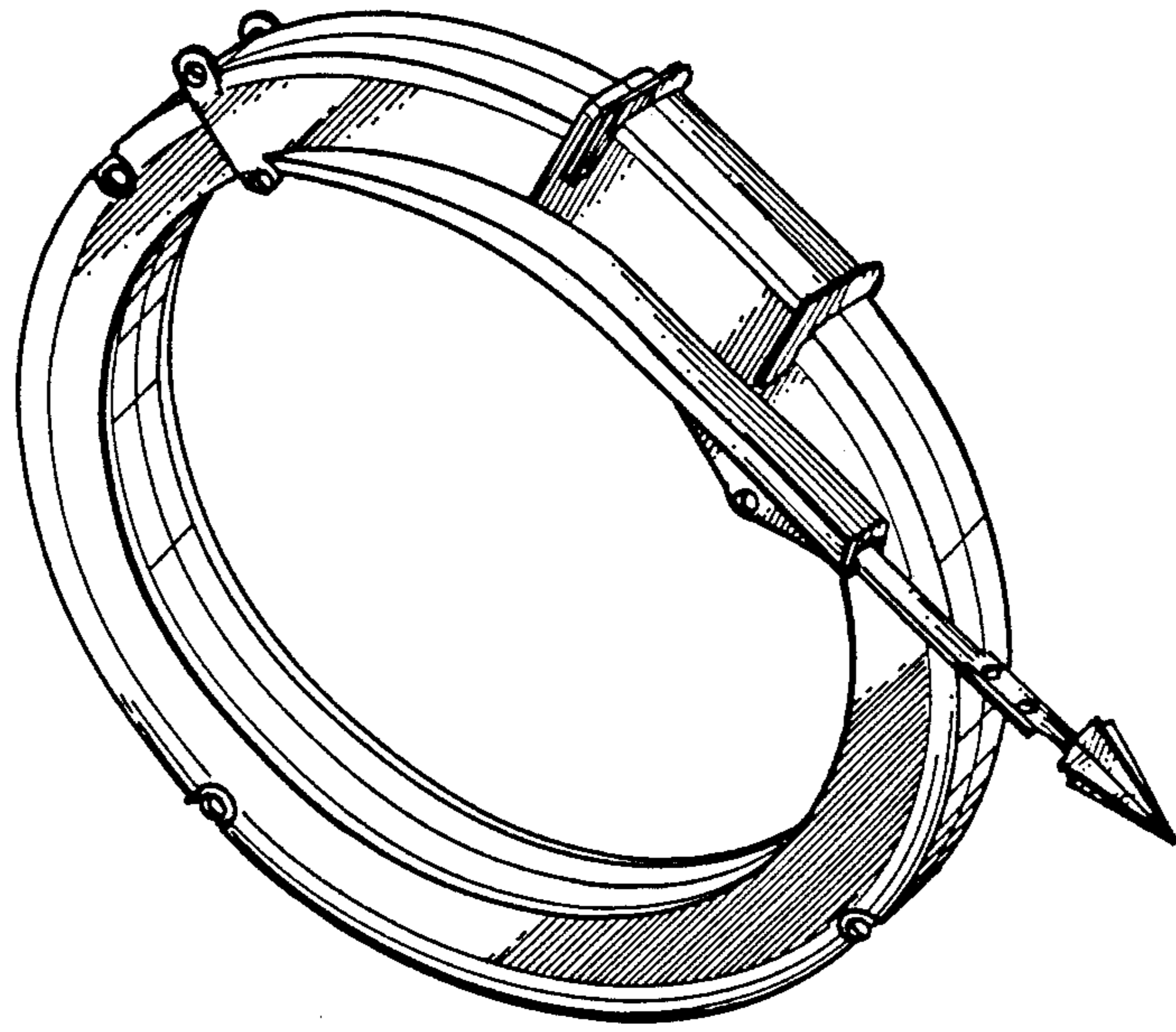


FIG. 7