

[54] WELDING MASK

4,581,775 4/1986 Nava 2/5
4,863,244 9/1989 Fuerthbauer et al. 2/8

[75] Inventors: Rupert Fuerthbauer, Lichtensteig;
Hans Huesler, Bronschhofen, both of
Switzerland

Primary Examiner—Wallace R. Burke
Assistant Examiner—Kay H. Chin
Attorney, Agent, or Firm—Tarolli, Sundheim & Covell

[73] Assignee: Optrel AG, Wattwil, Switzerland

[57] CLAIM

[**] Term: 14 Years

The ornamental design for a welding mask, as shown
and described.

[21] Appl. No.: 222,222

DESCRIPTION

[22] Filed: Jul. 21, 1988

[52] U.S. Cl. D29/9; D29/8

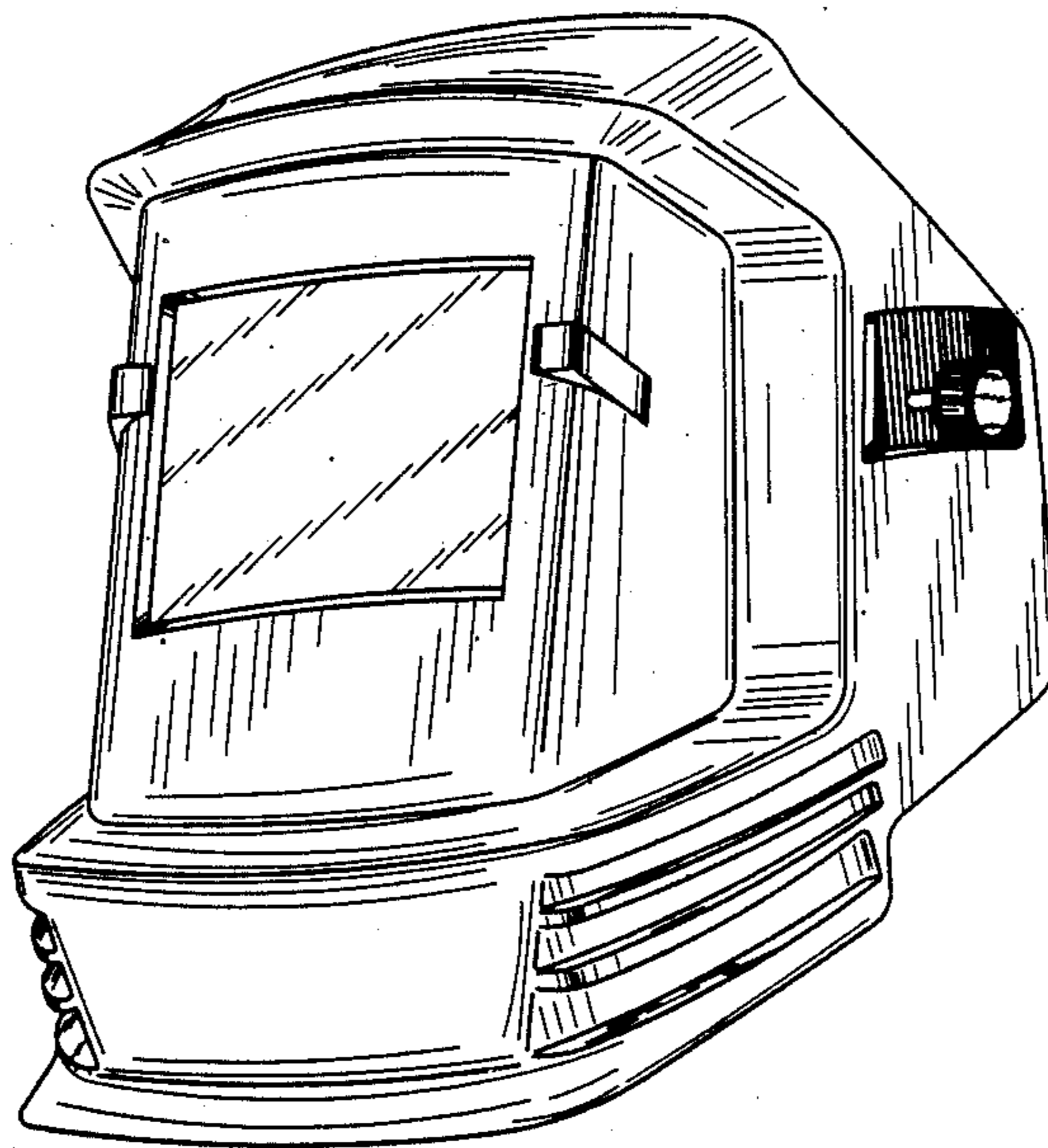
[58] Field of Search D29/6, 7, 8, 9; 2/8,
2/9, 421, 426; 350/331, 332

FIG. 1 is a front perspective view of a welding mask
showing our new design;
FIG. 2 is a side elevational view thereof, the opposite
side view being a mirror image of that shown;
FIG. 3 is a front elevational view thereof;
FIG. 4 is a rear elevational view thereof;
FIG. 5 is a bottom plan view thereof;
FIG. 6 is a top plan view thereof; and
FIG. 7 is a rear perspective view thereof.

[56] References Cited

U.S. PATENT DOCUMENTS

2,644,159 7/1953 Jacobs D29/9
4,101,980 7/1978 Stepan et al. 2/9



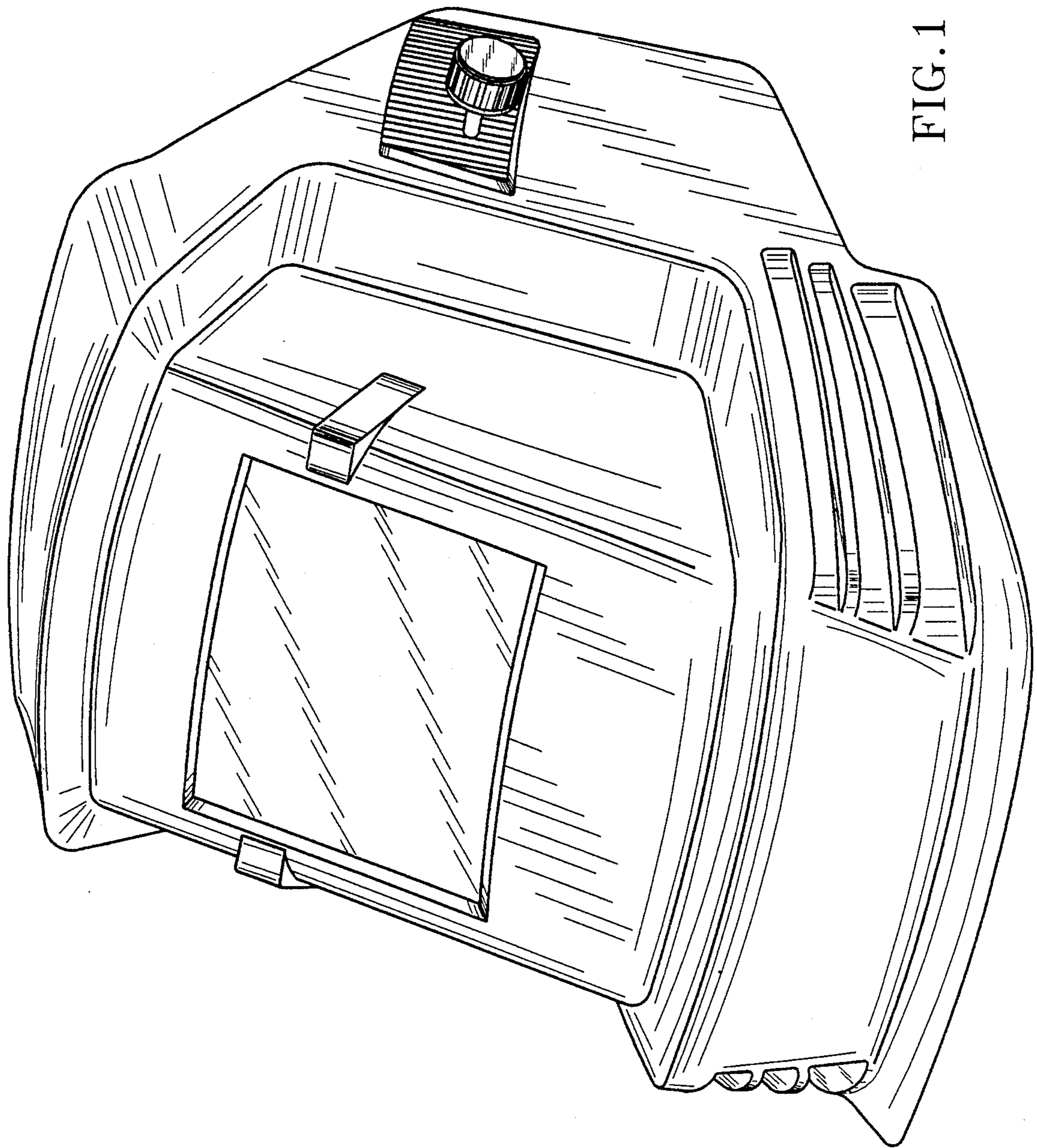


FIG. 1

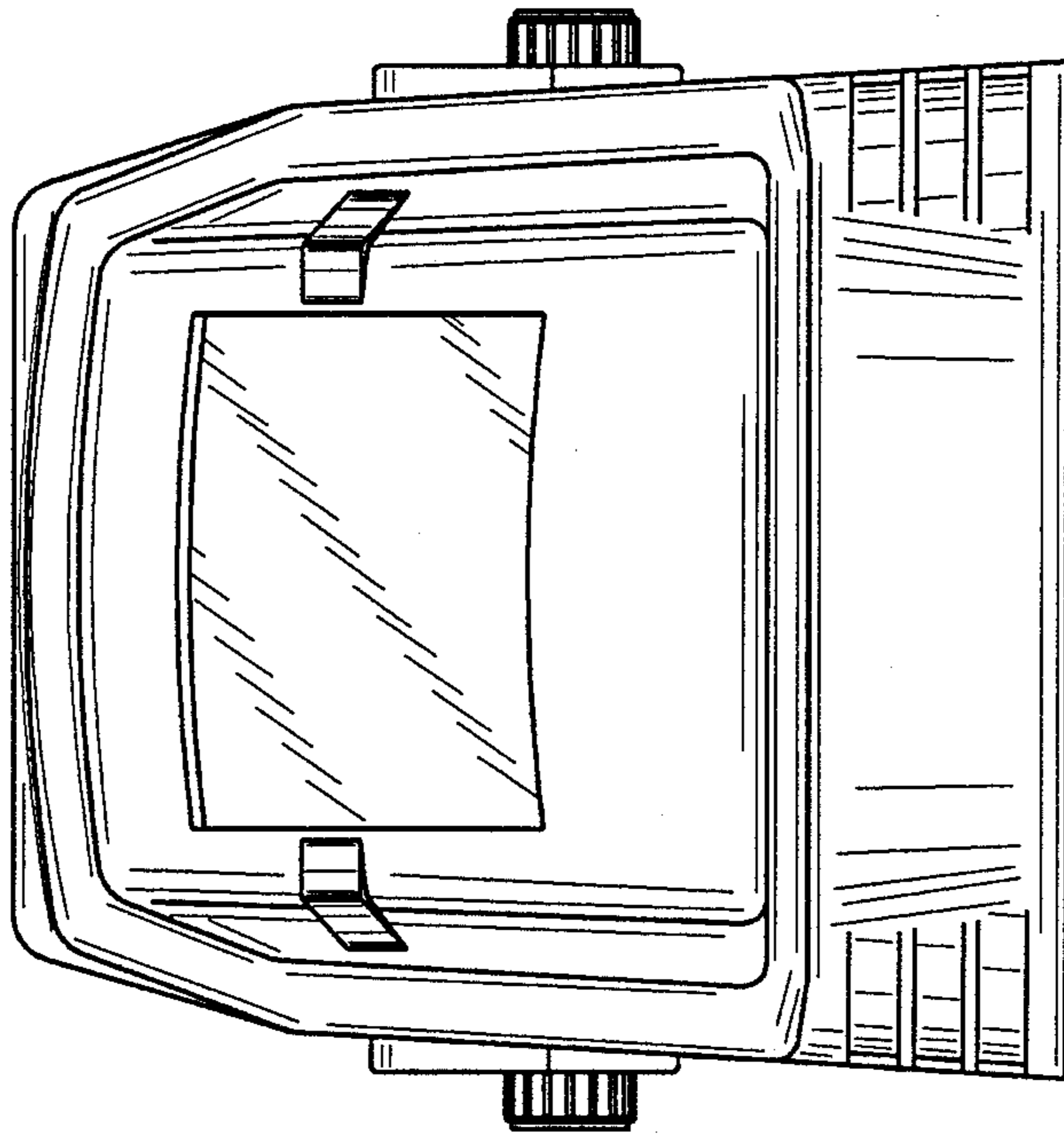


FIG. 3

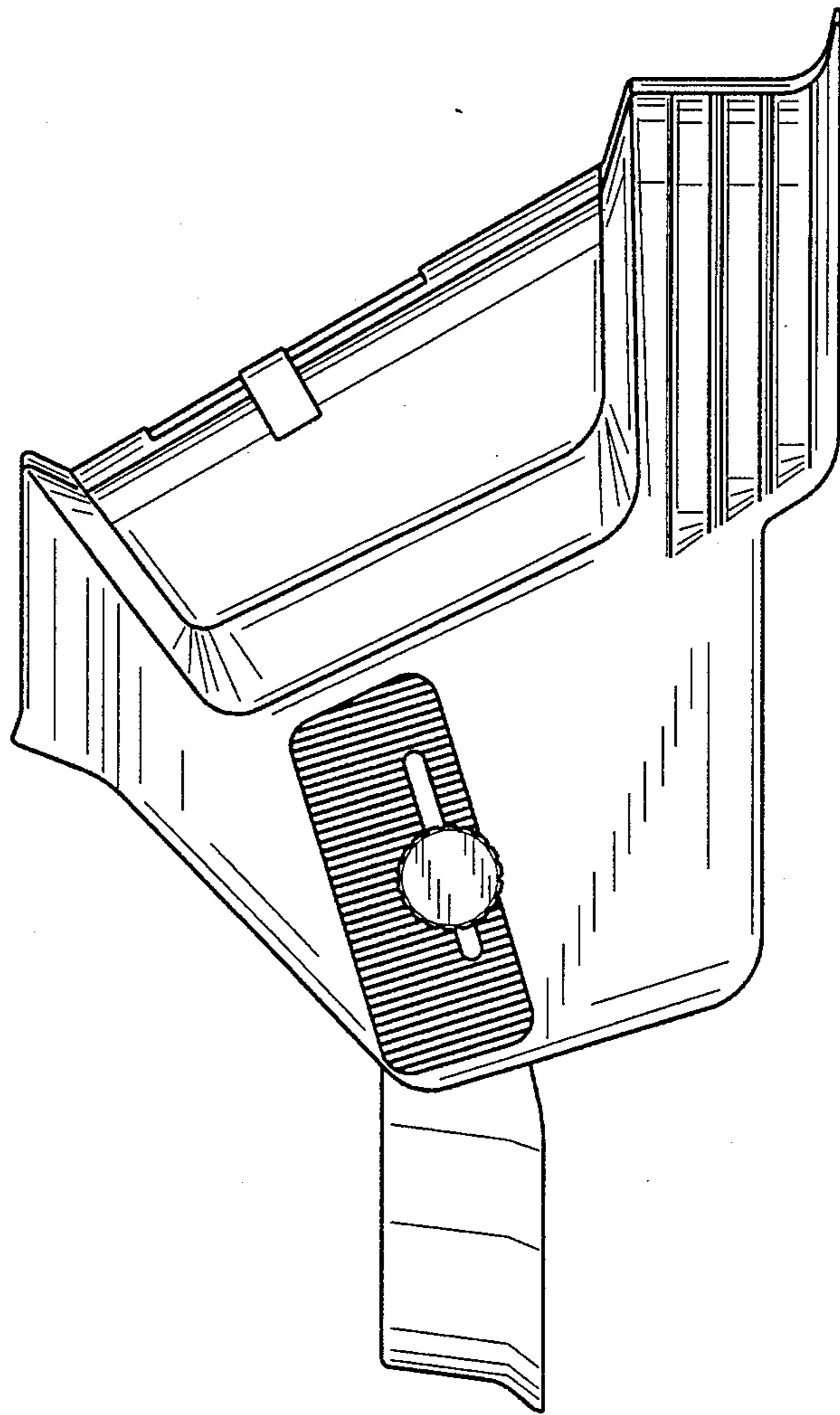


FIG. 2

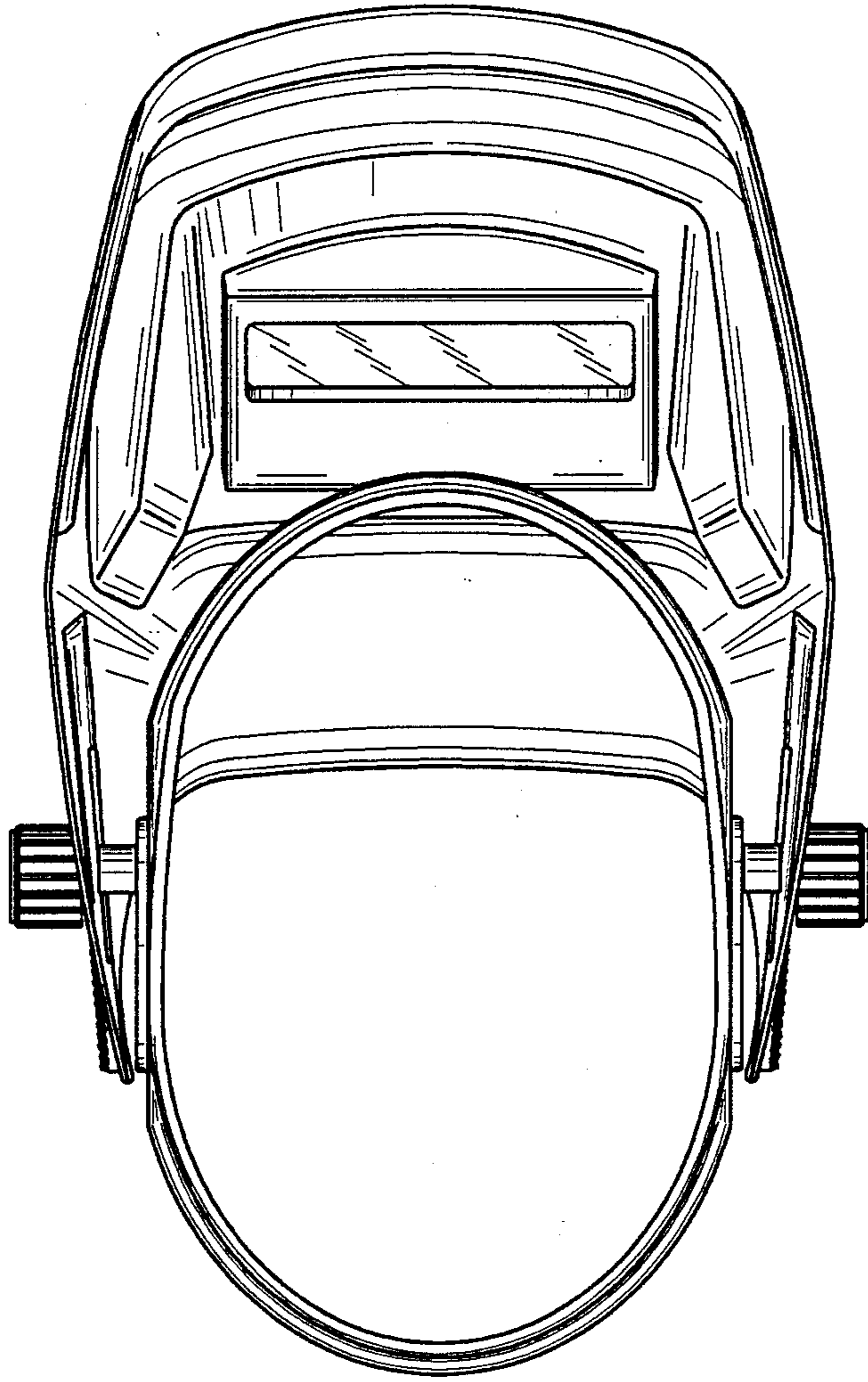


FIG.5

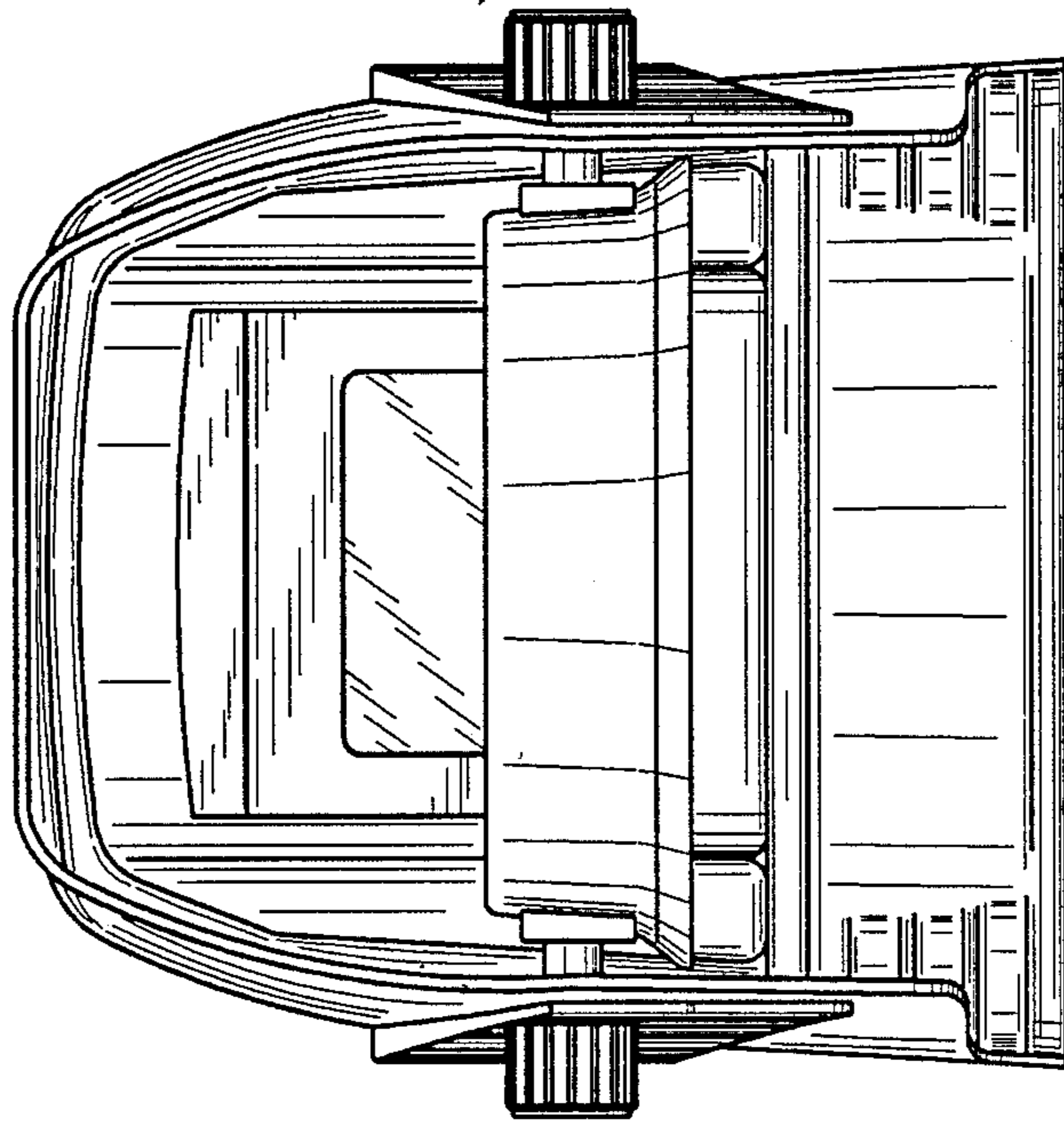


FIG.4

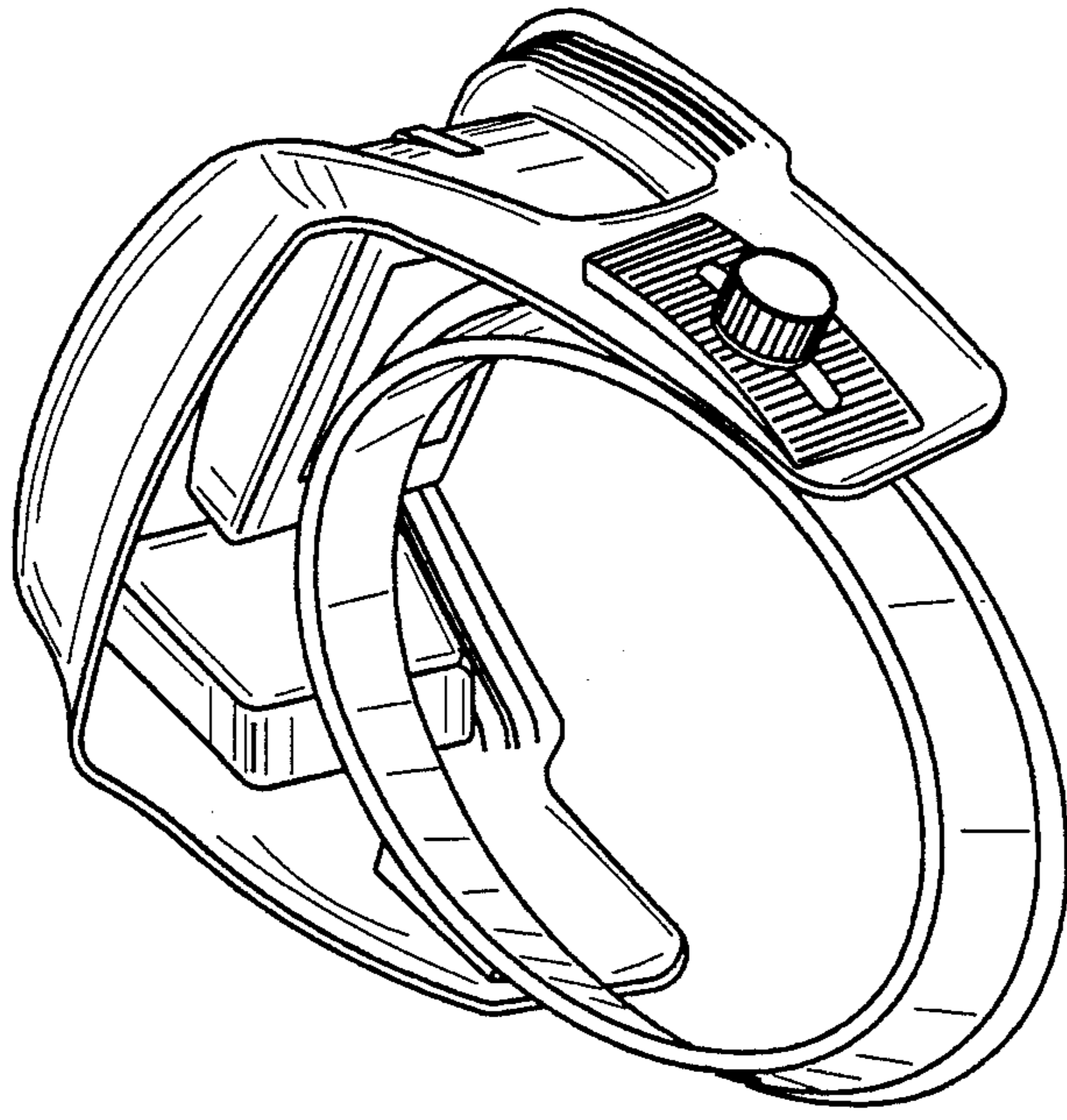


FIG. 7

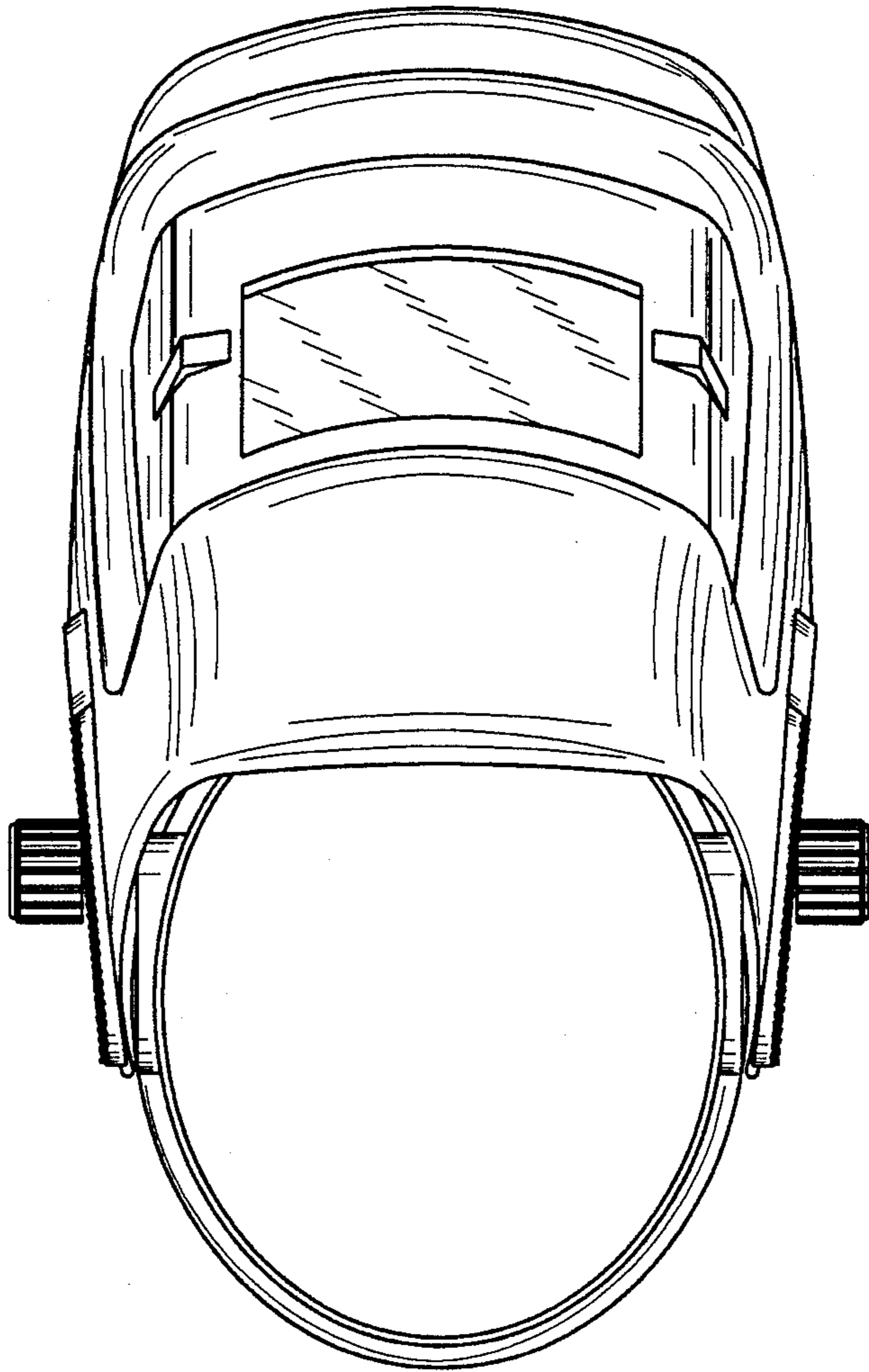


FIG. 6