

[54] DENTAL FLOSSER

[76] Inventor: Lester R. Wisegerber, 38 Brown La., Dayton, Tex. 77535

[**] Term: 14 Years

[21] Appl. No.: 141,464

[22] Filed: Jan. 5, 1988

[52] U.S. Cl. D28/64

[58] Field of Search D28/64; 132/321, 322, 132/323, 324, 325, 326, 327, 328, 329

[56] References Cited

U.S. PATENT DOCUMENTS

- D. 251,859 5/1979 Kent .
- D. 265,004 6/1982 Davis .
- D. 294,201 2/1988 Moore D28/64 X
- 754,841 3/1904 Bessonnet 132/325
- 1,274,423 8/1918 Kristman .
- 1,417,518 5/1922 Henerlau .

- 1,468,942 9/1923 Gamble .
- 1,879,074 9/1932 Cammack .
- 1,990,404 2/1935 Doner .
- 2,467,221 4/1949 Pastl .
- 3,871,393 3/1975 Wharton .
- 4,162,687 7/1979 Lorich 132/323
- 4,788,990 12/1988 Wisegerber 132/324

Primary Examiner—Susan J. Lucas
Assistant Examiner—M. H. Tung
Attorney, Agent, or Firm—Arnold, White & Durkee

[57] CLAIM

The ornamental design for a dental flosser, as shown.

DESCRIPTION

FIG. 1 is a side elevational view of a dental flosser showing my new design;
FIG. 2 is a bottom plan view thereof;
FIG. 3 is the other side elevational view thereof;
FIG. 4 is a front elevational view thereof.
FIG. 5 is a top front perspective view thereof.

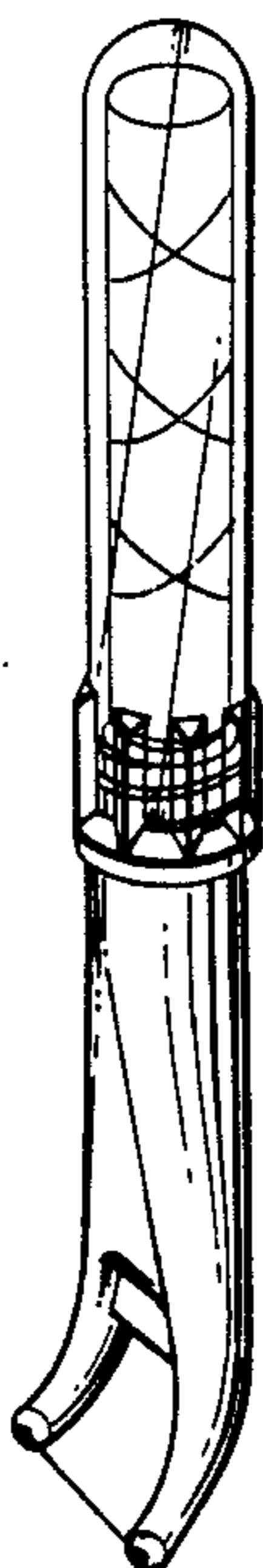


Fig. 1

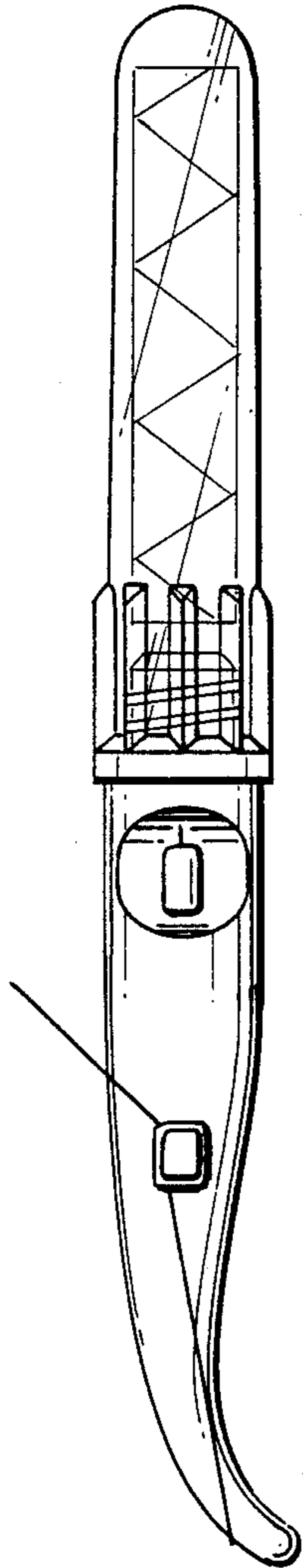


Fig. 2

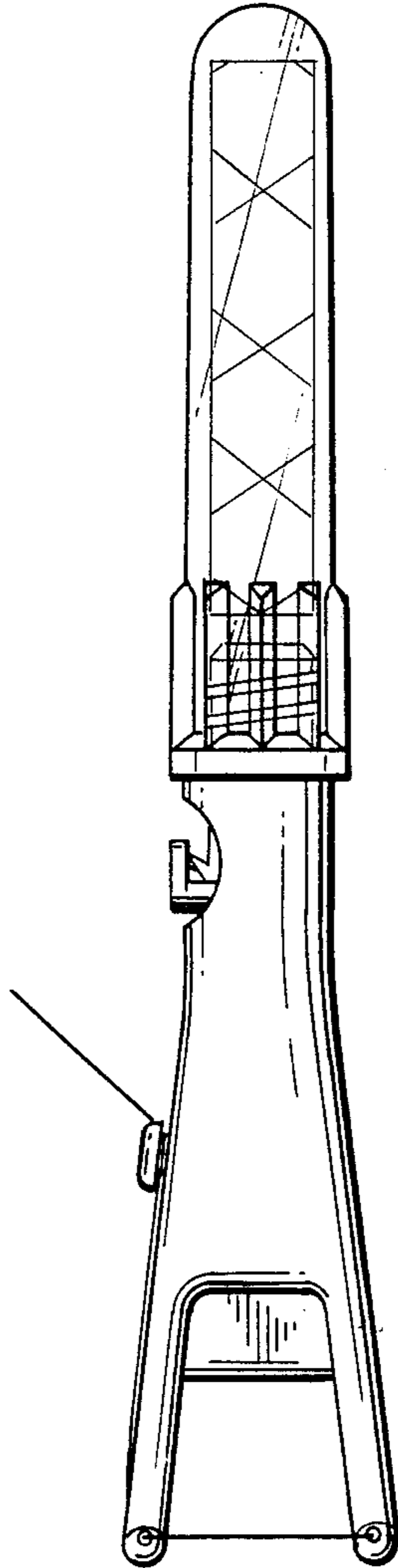


Fig. 3

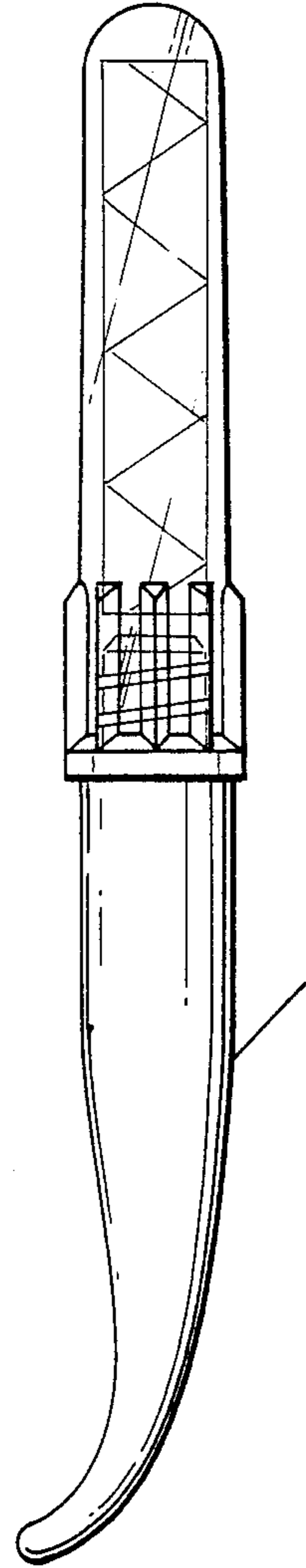


Fig. 4

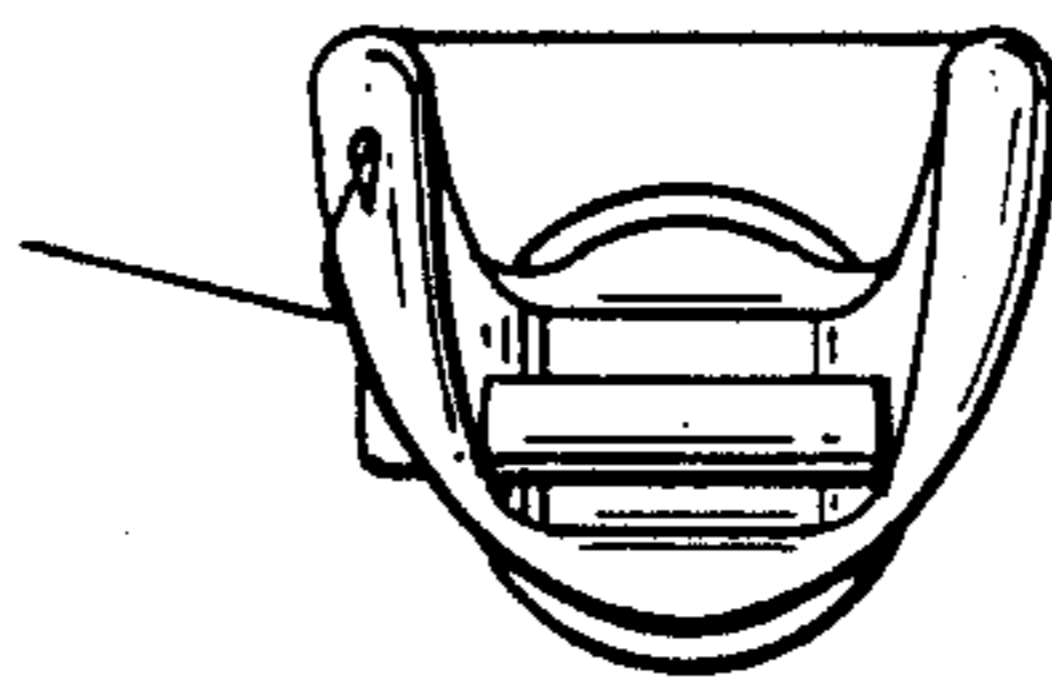


Fig. 5

