

[54] SOLAR POWERED OUTDOOR LIGHT

[75] Inventor: Ram Shalvi, Stanley, Hong Kong

[73] Assignee: Solar Wide Industrial Limited, Kowloon, Hong Kong

[\*\*] Term: 14 Years

[21] Appl. No.: 257,028

[22] Filed: Oct. 12, 1988

[30] Foreign Application Priority Data

Sep. 19, 1988 [CH] Switzerland ..... 116971

Sep. 19, 1988 [GB] United Kingdom ..... 1053626

[52] U.S. Cl. .... D26/67

[58] Field of Search ..... D26/67-71; 362/431, 362, 267, 147, 183, 410; 136/291

[56] References Cited

U.S. PATENT DOCUMENTS

D. 233,165 10/1974 Gismondi ..... D26/104

D. 301,175 5/1989 Benjamin ..... D26/67

4,200,904 4/1980 Doan ..... 362/431 X

4,441,143 4/1984 Richardson, Jr. .... 362/183

Primary Examiner—Susan J. Lucas  
Attorney, Agent, or Firm—Darby & Darby

[57] CLAIM

The ornamental design for a solar powered outdoor light, as shown and described.

DESCRIPTION

FIG. 1 is a bottom, front perspective view of a solar powered outdoor light showing my new design;

FIG. 2 is a front elevational view thereof;

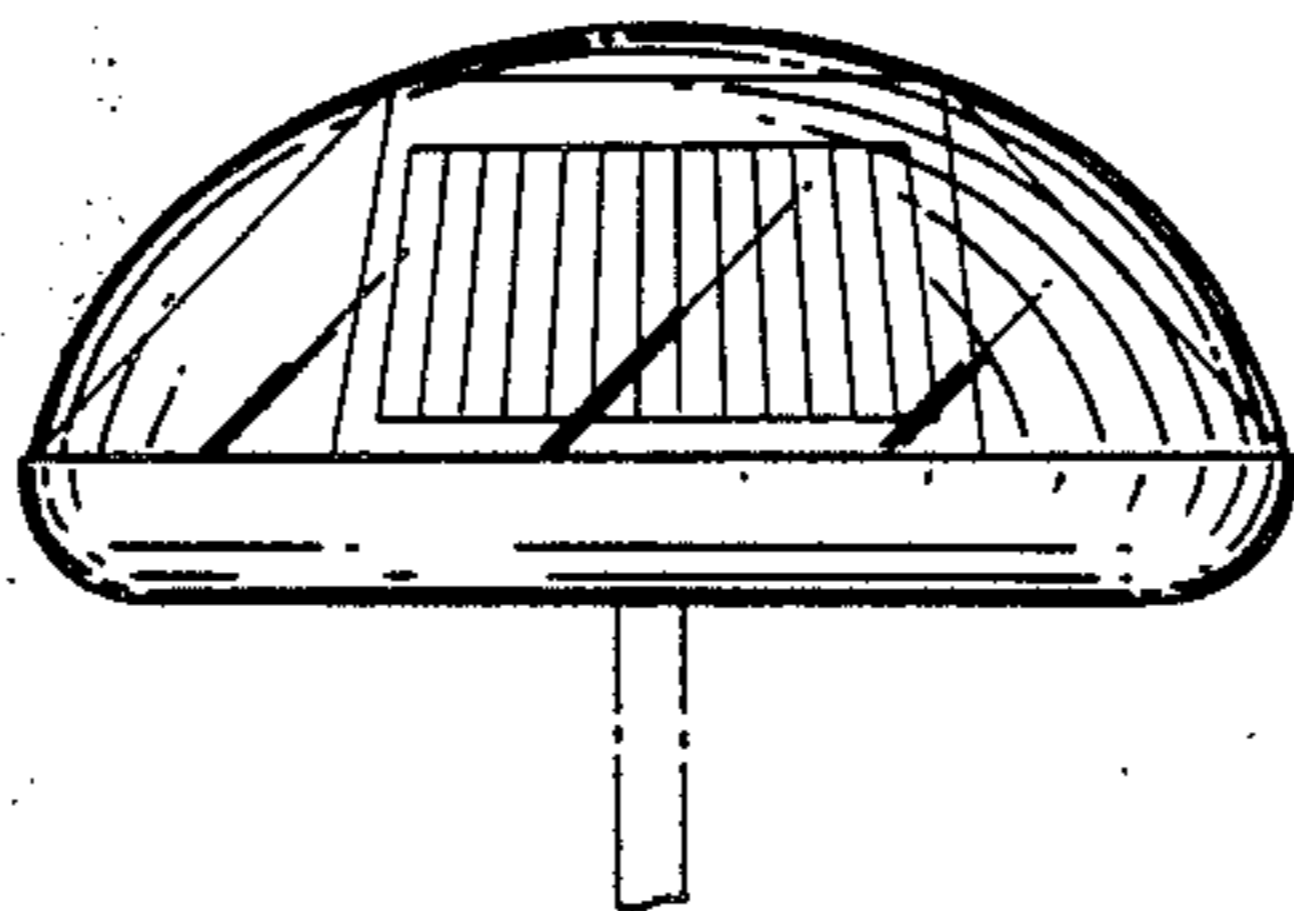
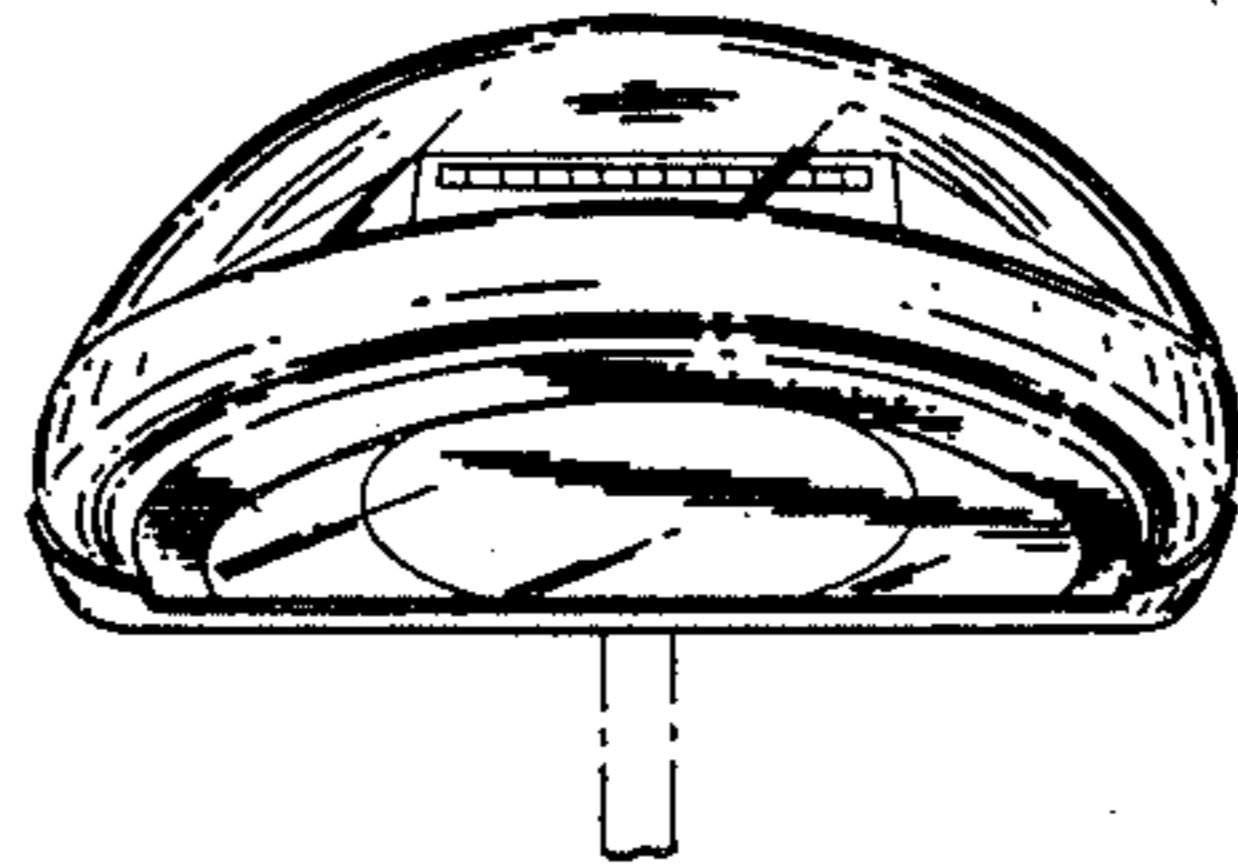
FIG. 3 is a right elevational view thereof, the left side being a mirror image;

FIG. 4 is a rear elevational view thereof;

FIG. 5 is a top plan view thereof; and

FIG. 6 is a bottom plan view thereof.

The standard is shown in broken lines for illustrative purposes only and forms no part of the claimed design.



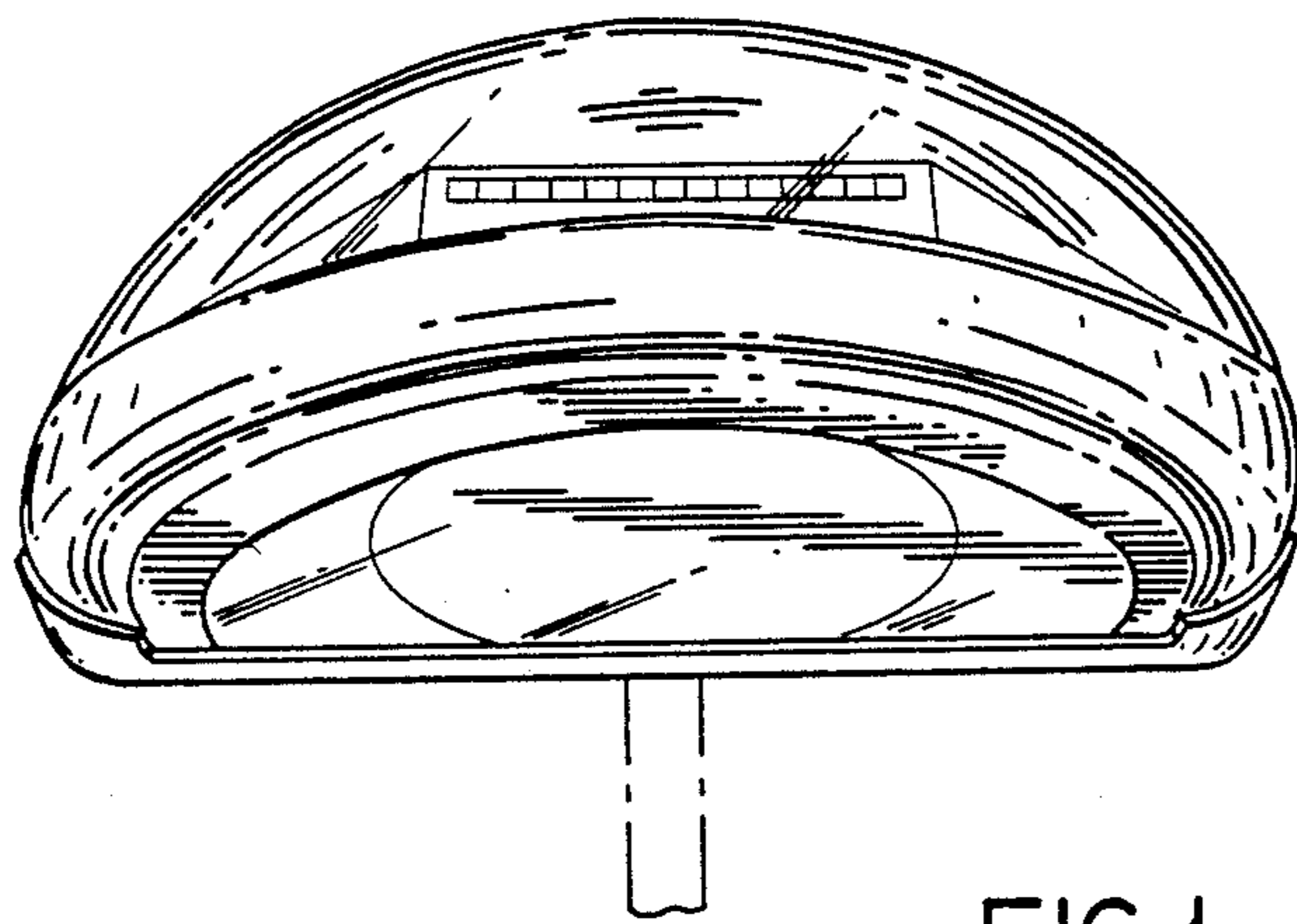


FIG. 1

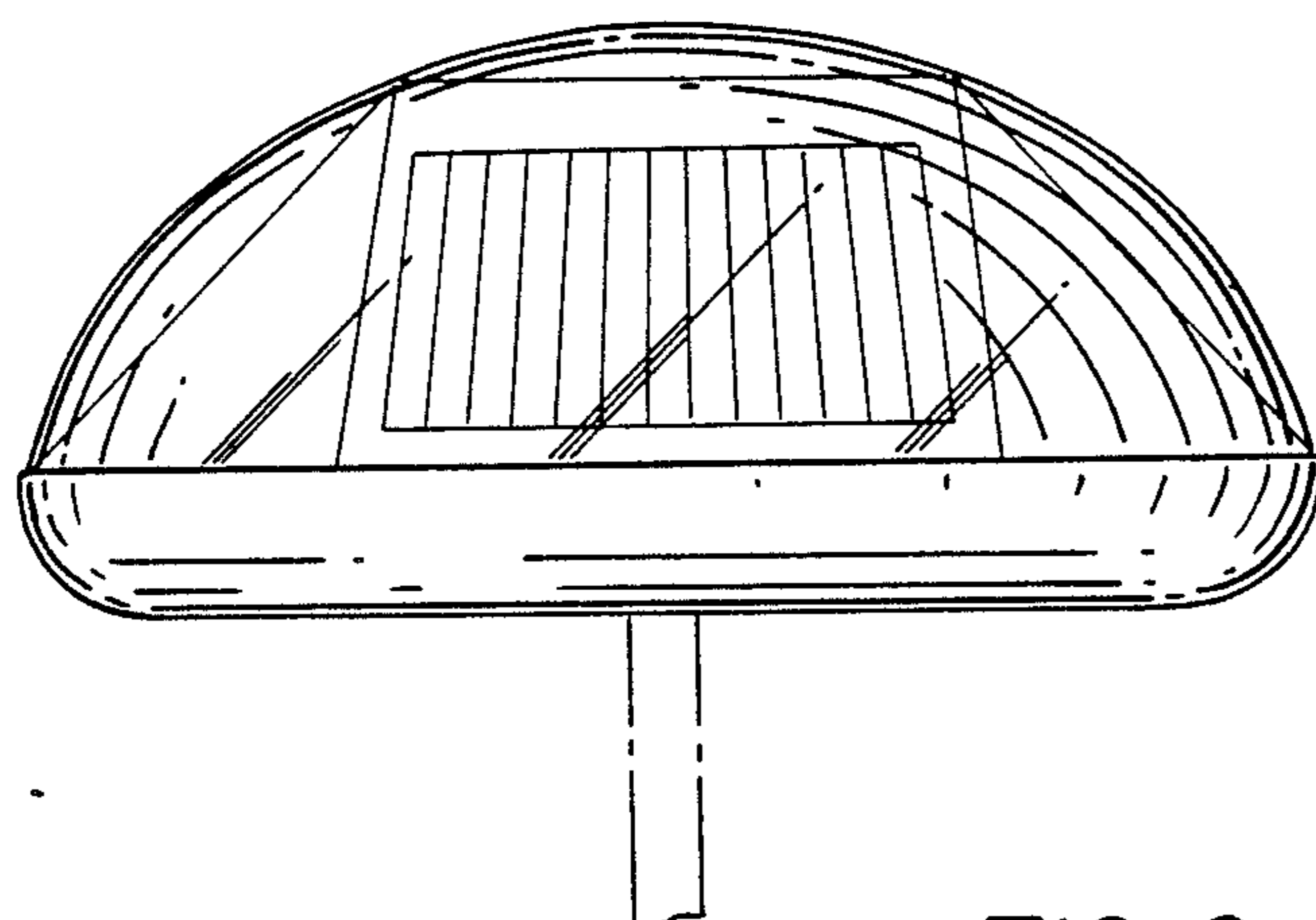


FIG. 2

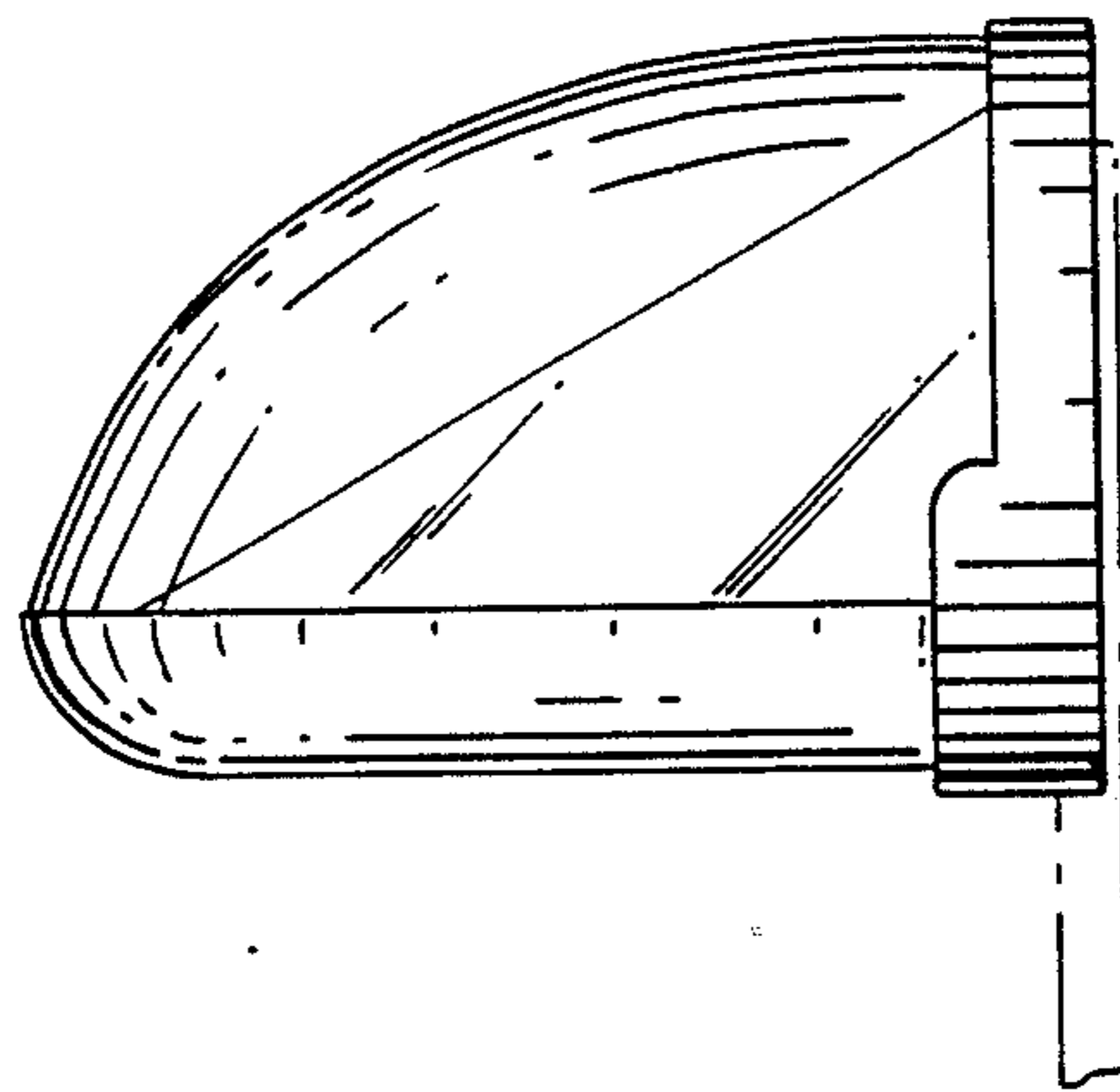


FIG. 3

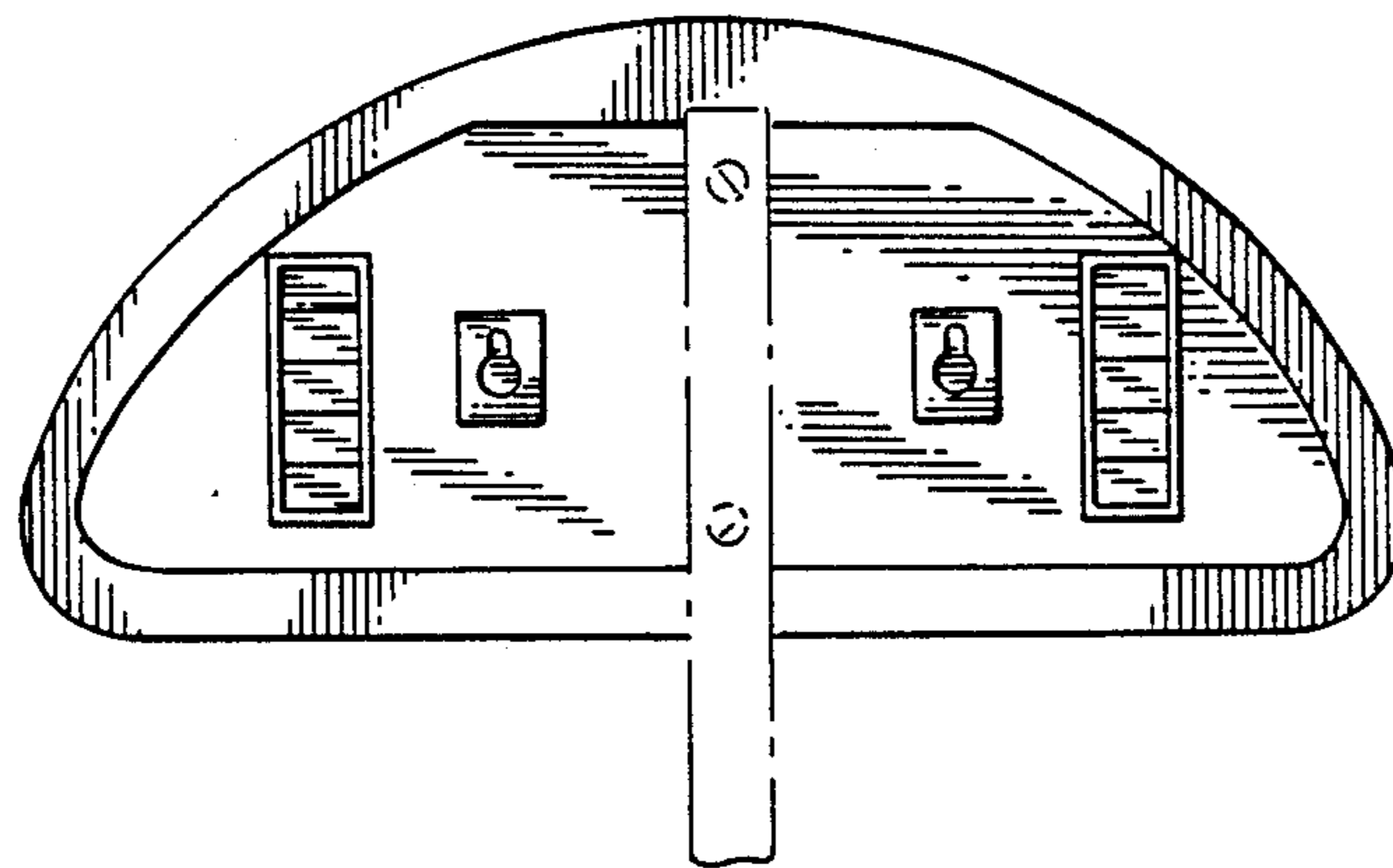


FIG. 4

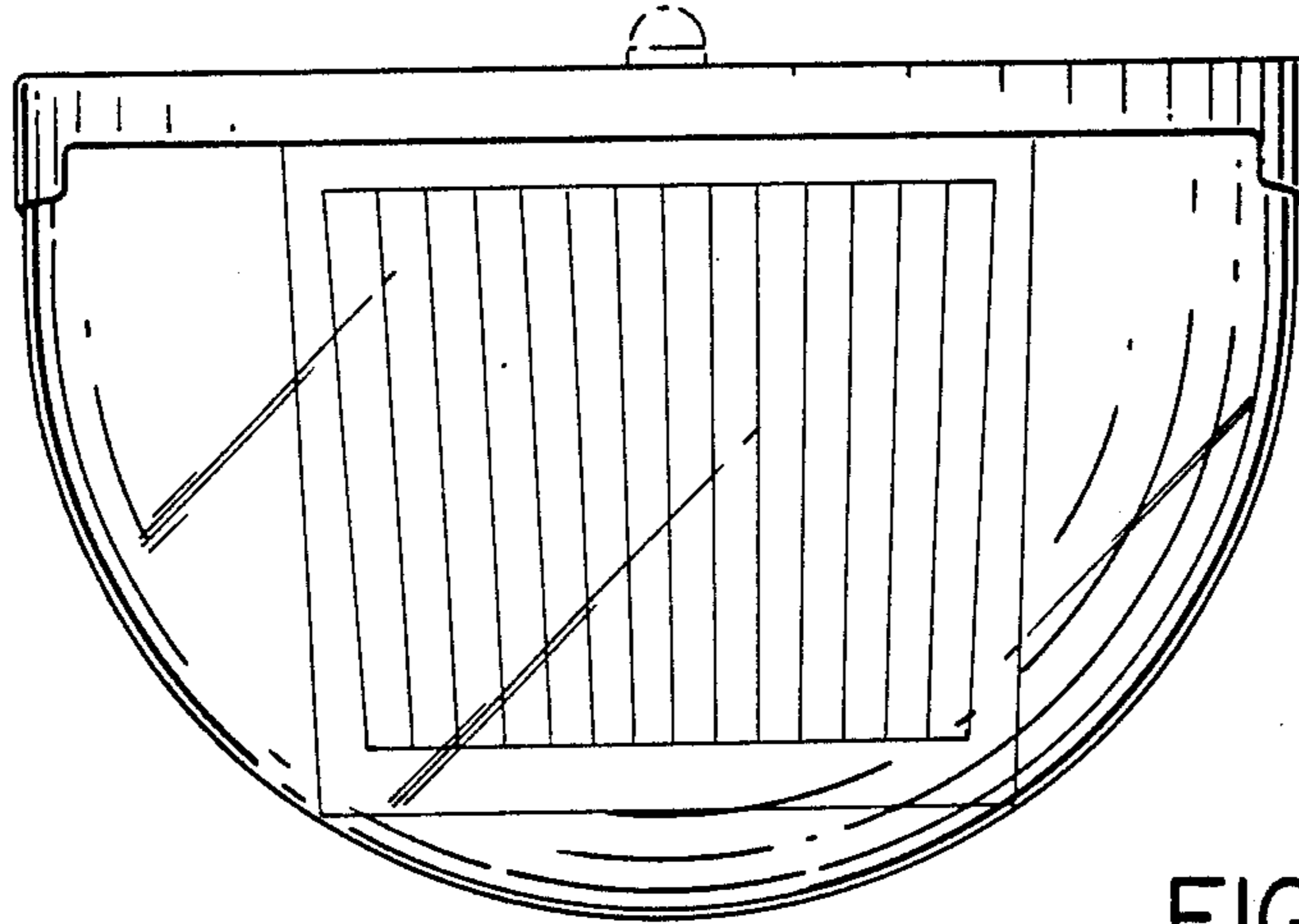


FIG. 5

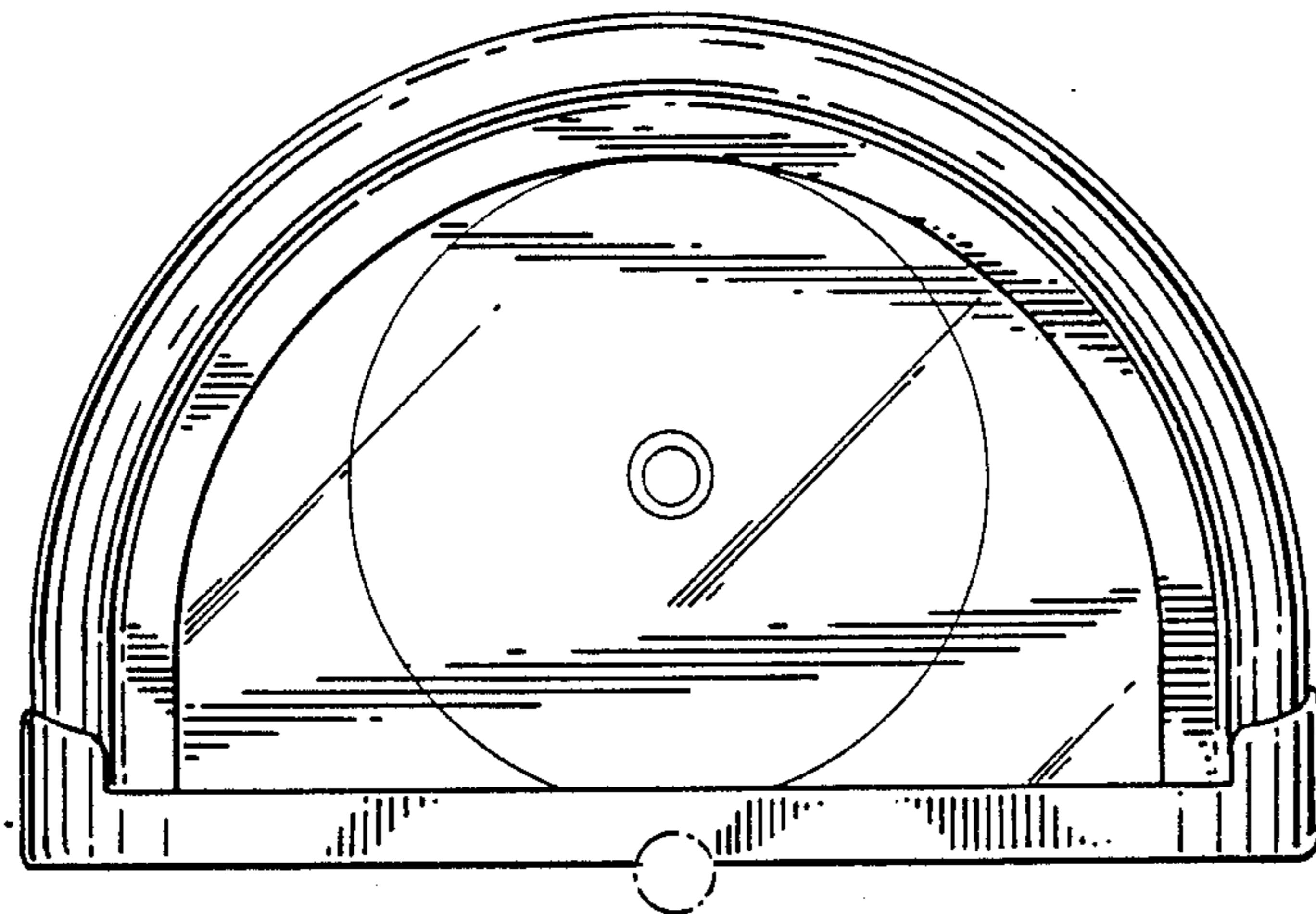


FIG. 6