

[54] RETAINING WALL BLOCK

[76] Inventor: Philip A. Zeidman, 237 Hoff Rd., Santa Rosa, Calif. 95409

[**] Term: 14 Years

[21] Appl. No.: 334,984

[22] Filed: Apr. 7, 1989

[52] U.S. Cl. D25/113

[58] Field of Search D25/112, 113, 116, 118; 52/169.1, 169.4, 415, 425, 439, 596, 598, 605, 606, 607, 608, 610; 405/119, 284, 285, 286

[56] References Cited

U.S. PATENT DOCUMENTS

3,745,701	7/1973	Marvin	405/119
4,345,853	8/1982	Fisher	405/119
4,379,659	4/1983	Steiner	D25/113
4,693,633	9/1987	Giordano	405/119

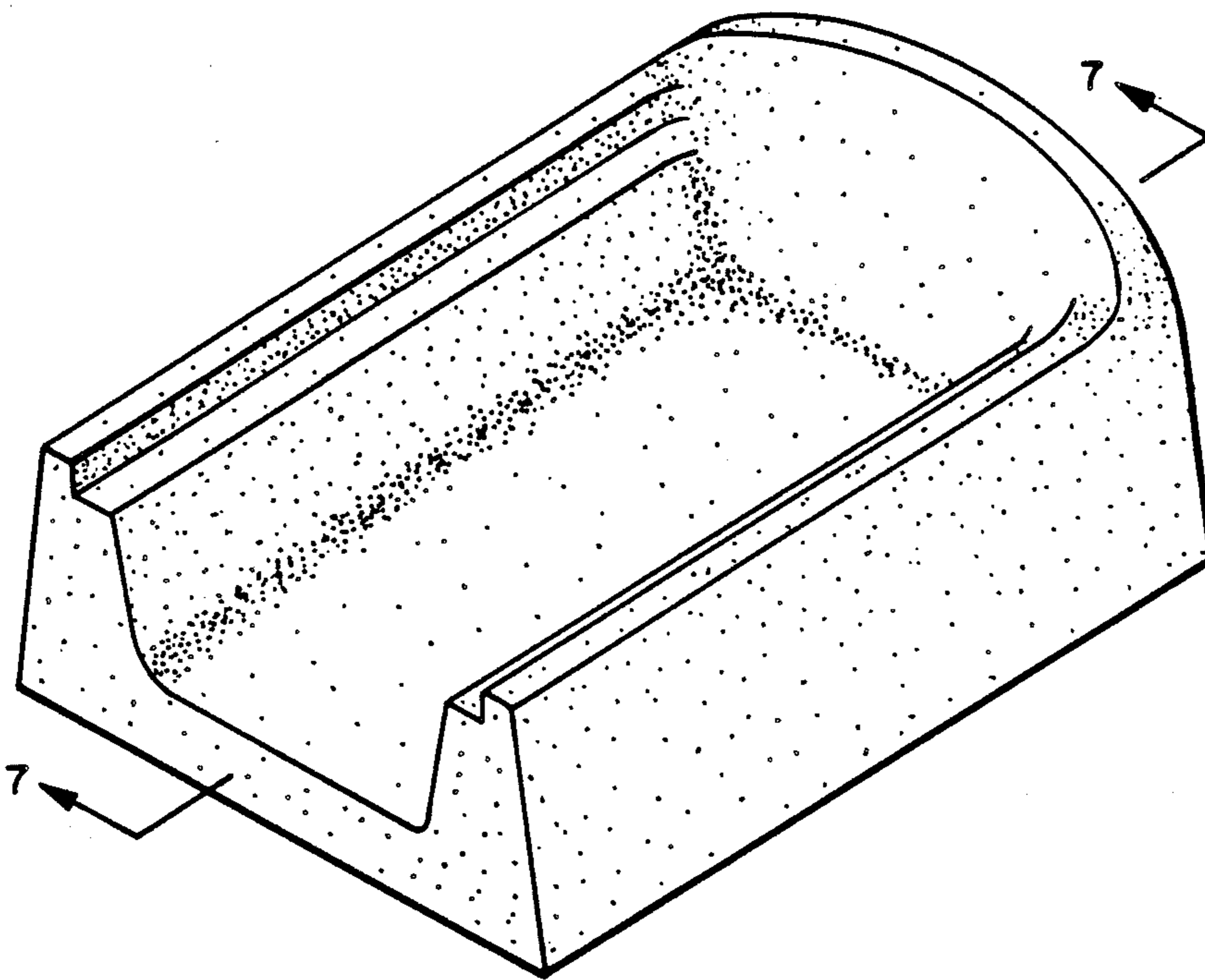
Primary Examiner—A. Hugo Word
Assistant Examiner—Doris Clark
Attorney, Agent, or Firm—Burns, Doane, Swecker & Mathis

[57] CLAIM

The ornamental design for a retaining wall block, as shown and described.

DESCRIPTION

FIG. 1 is a perspective view of a retaining wall block showing my new design;
FIG. 2 is a front elevational view thereof;
FIG. 3 is a top plan view thereof;
FIG. 4 is a bottom plan view thereof;
FIG. 5 is a rear elevational view thereof;
FIG. 6 is a right side elevational view, the left side is a mirror image thereof;
FIG. 7 is a side sectional view taken along 7—7 of FIG. 1.



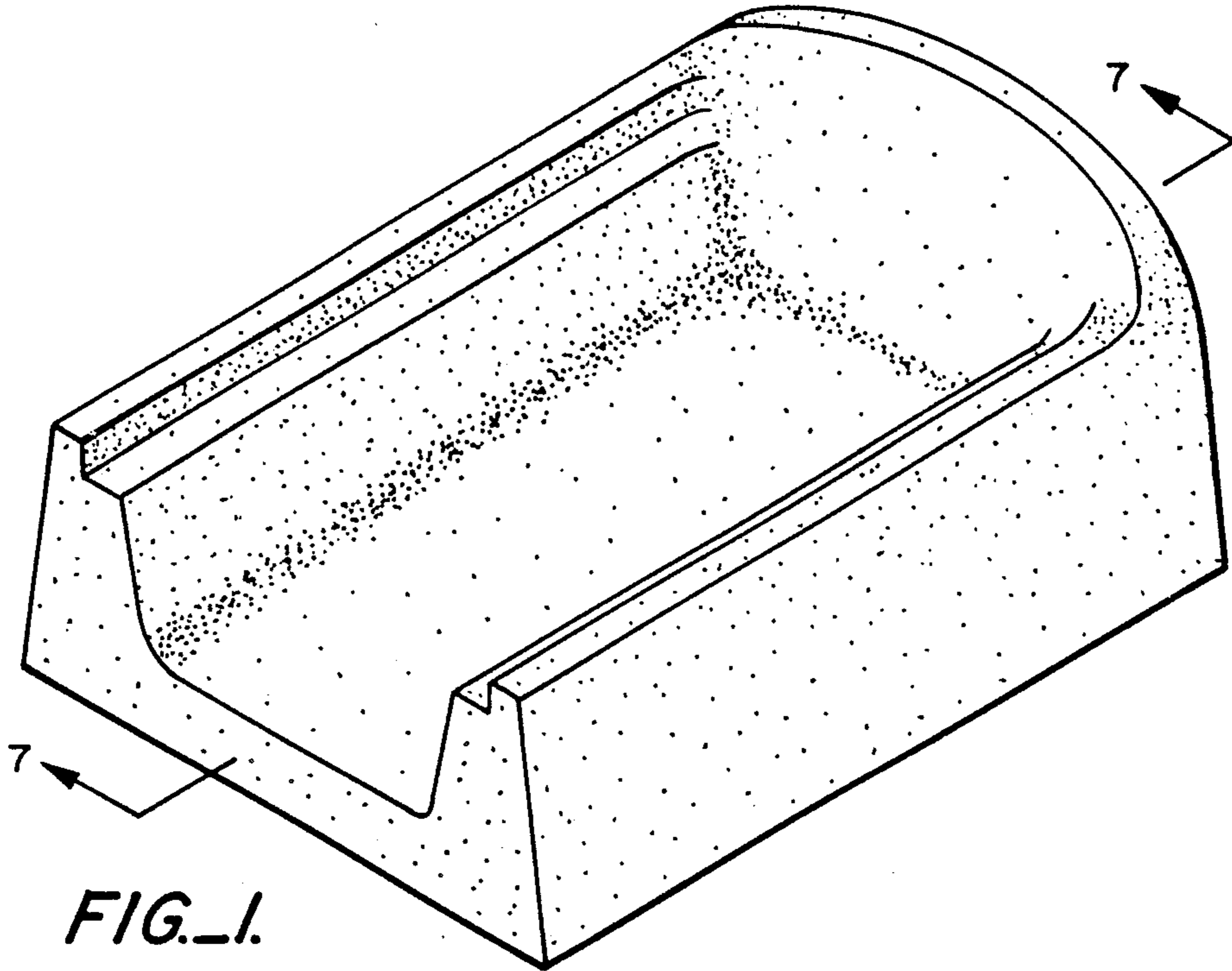


FIG. 1.

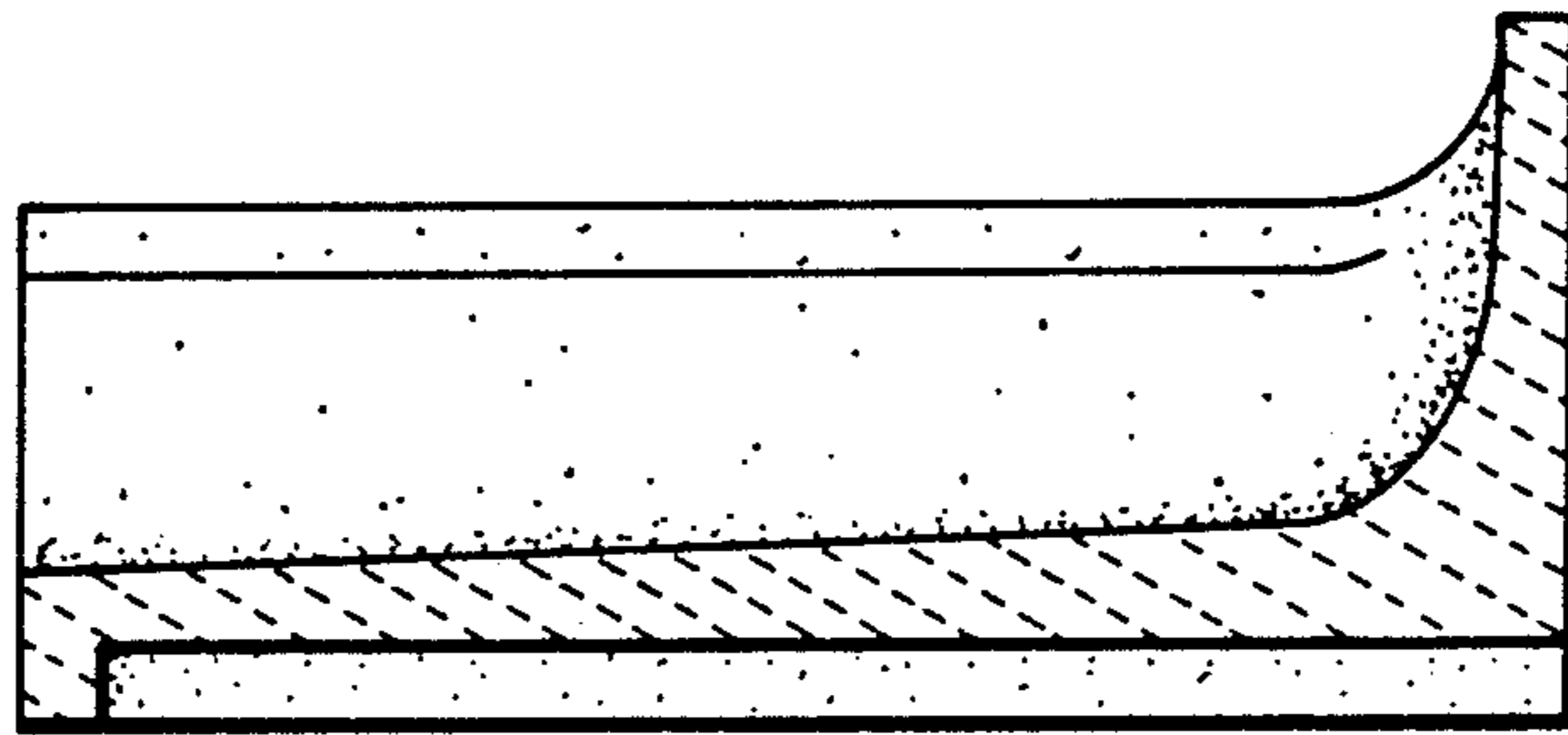


FIG. 7.

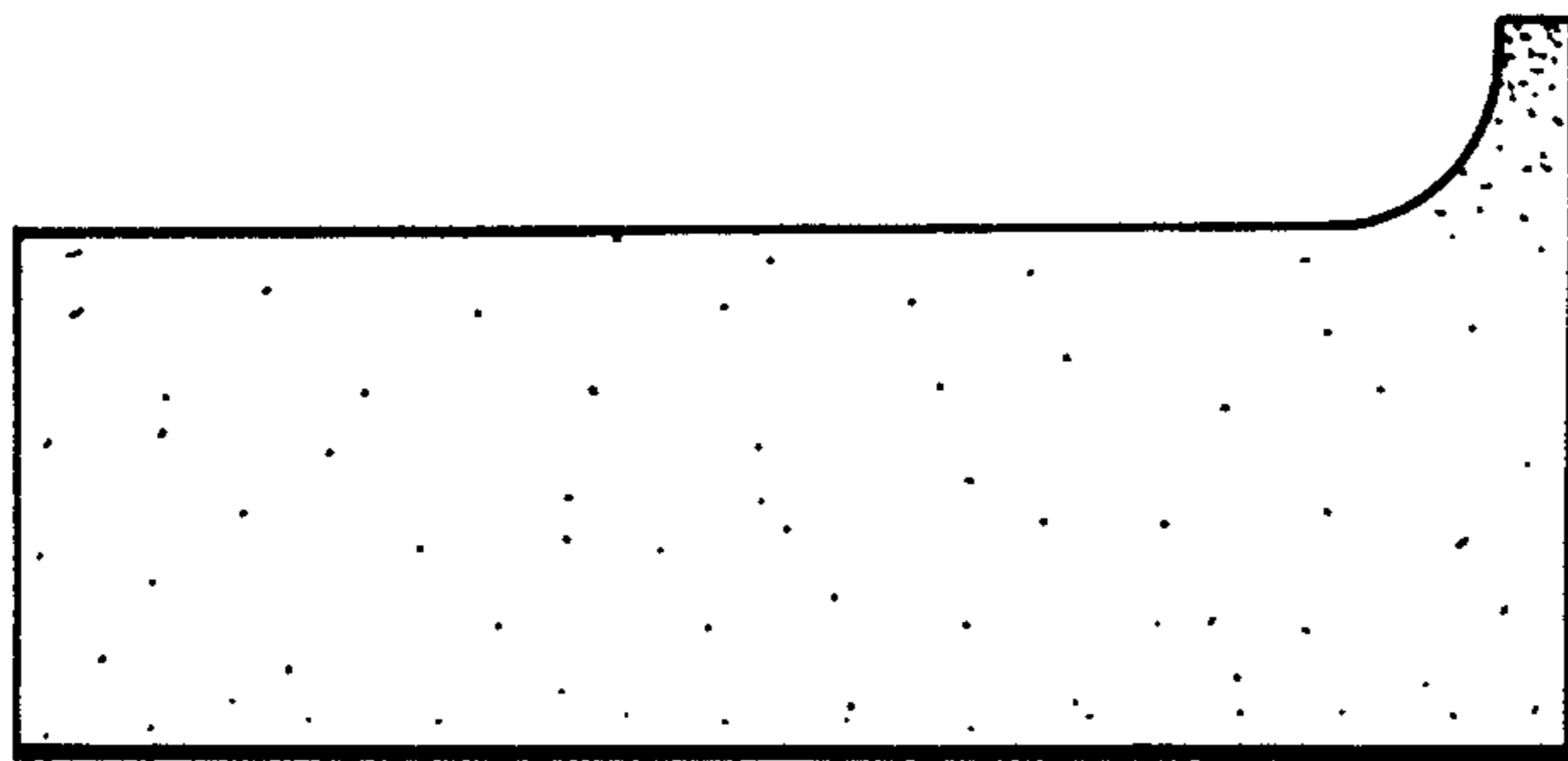


FIG. 6.

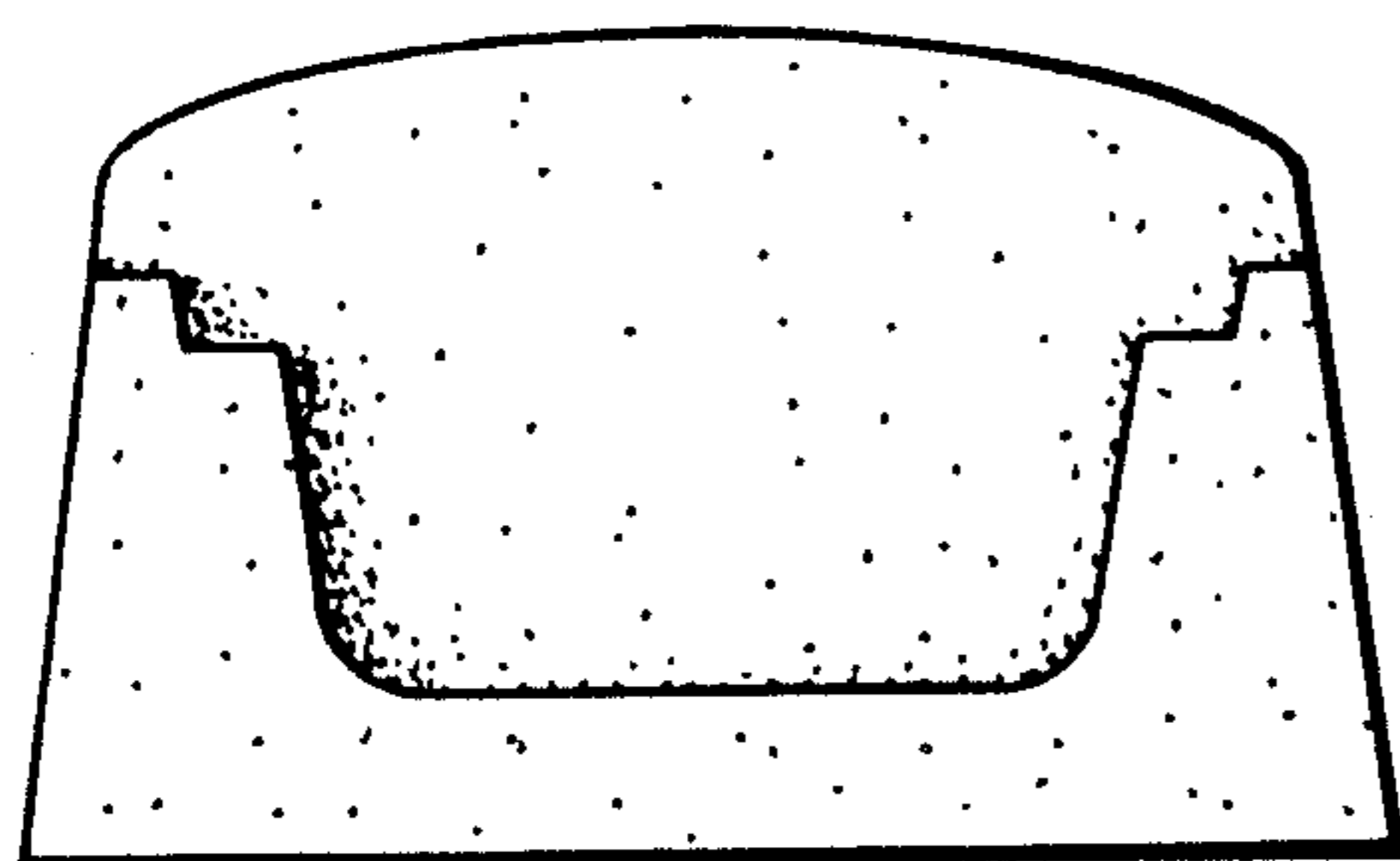


FIG. 5.

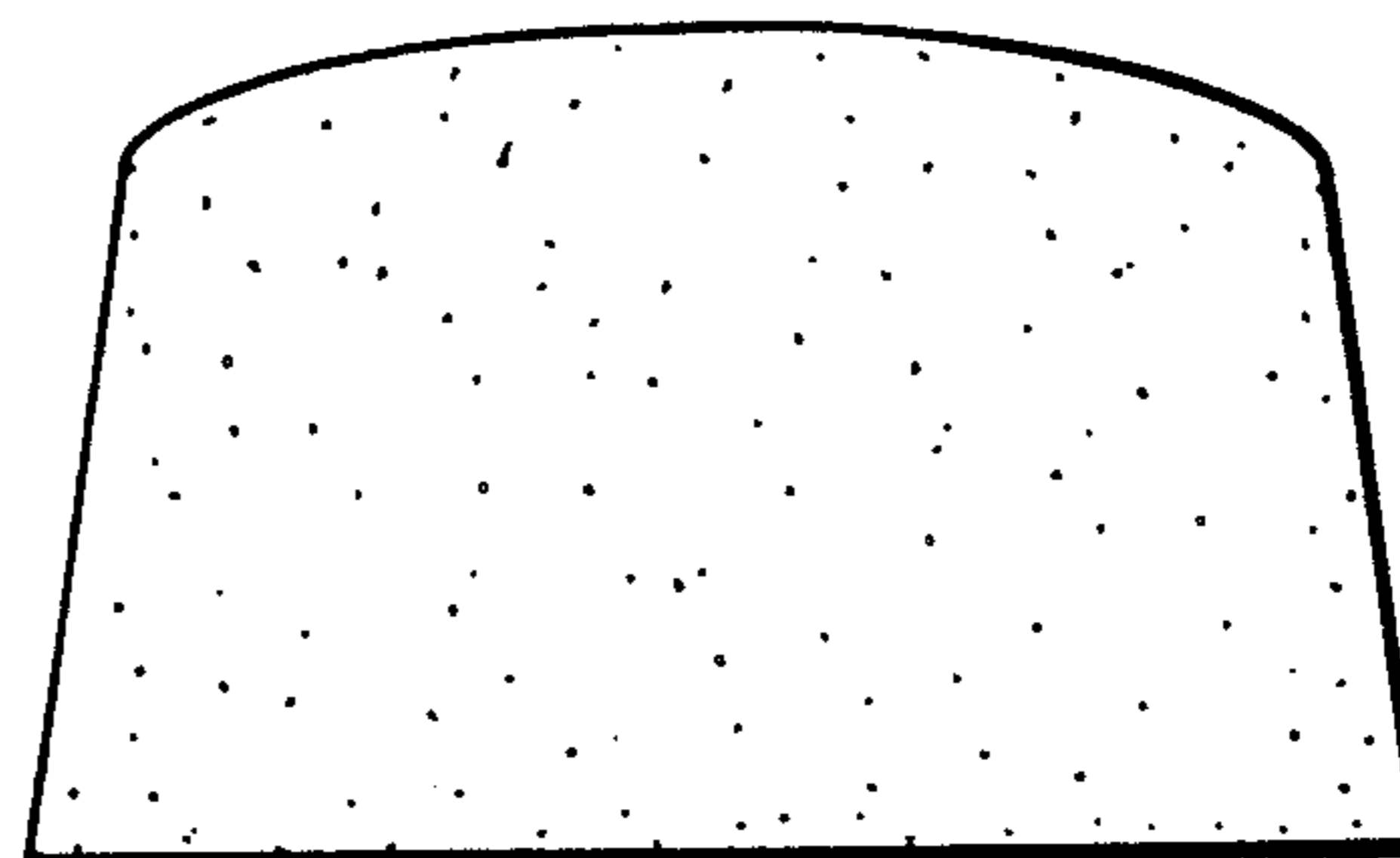


FIG. 2.

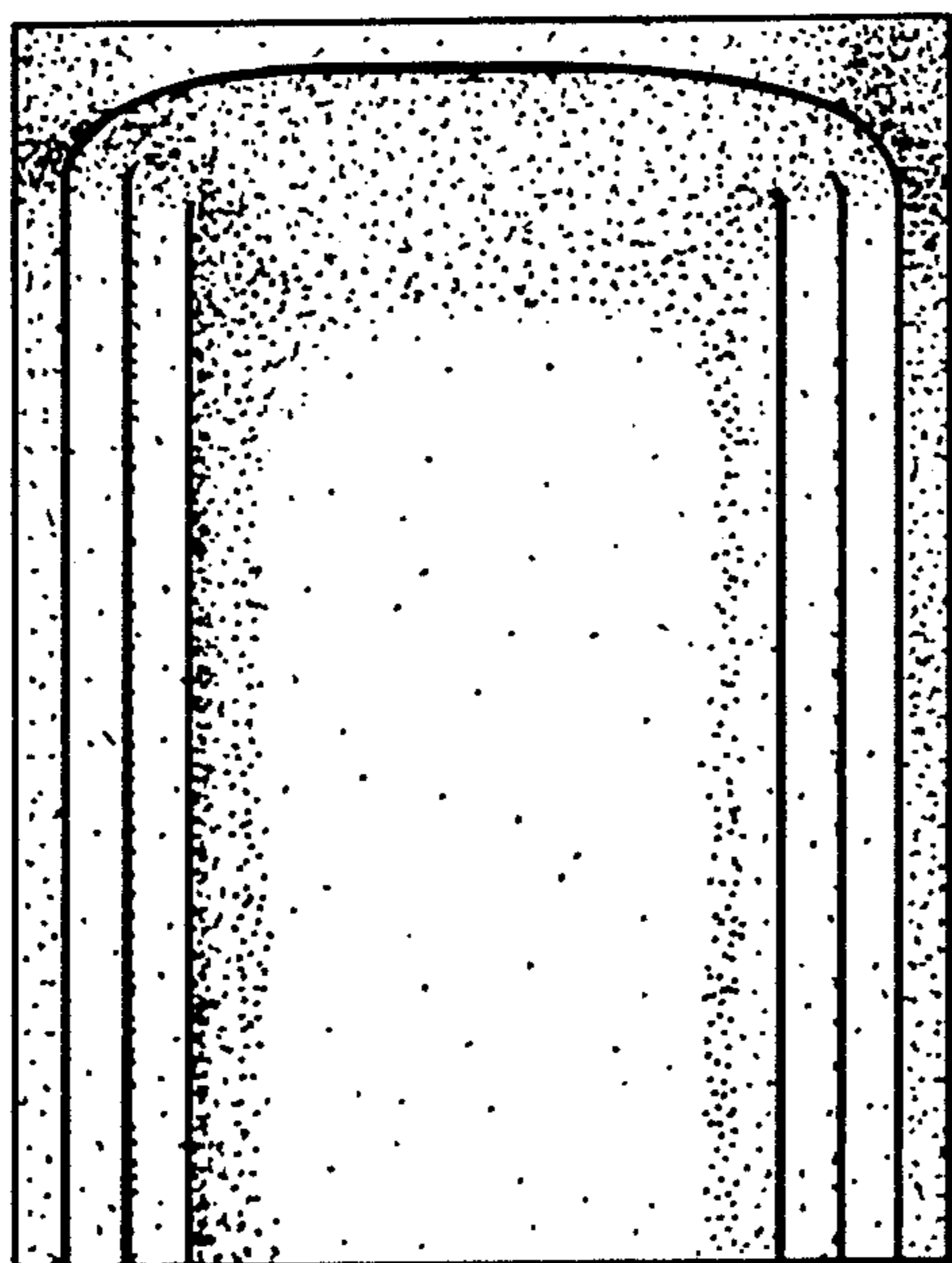


FIG. 3.

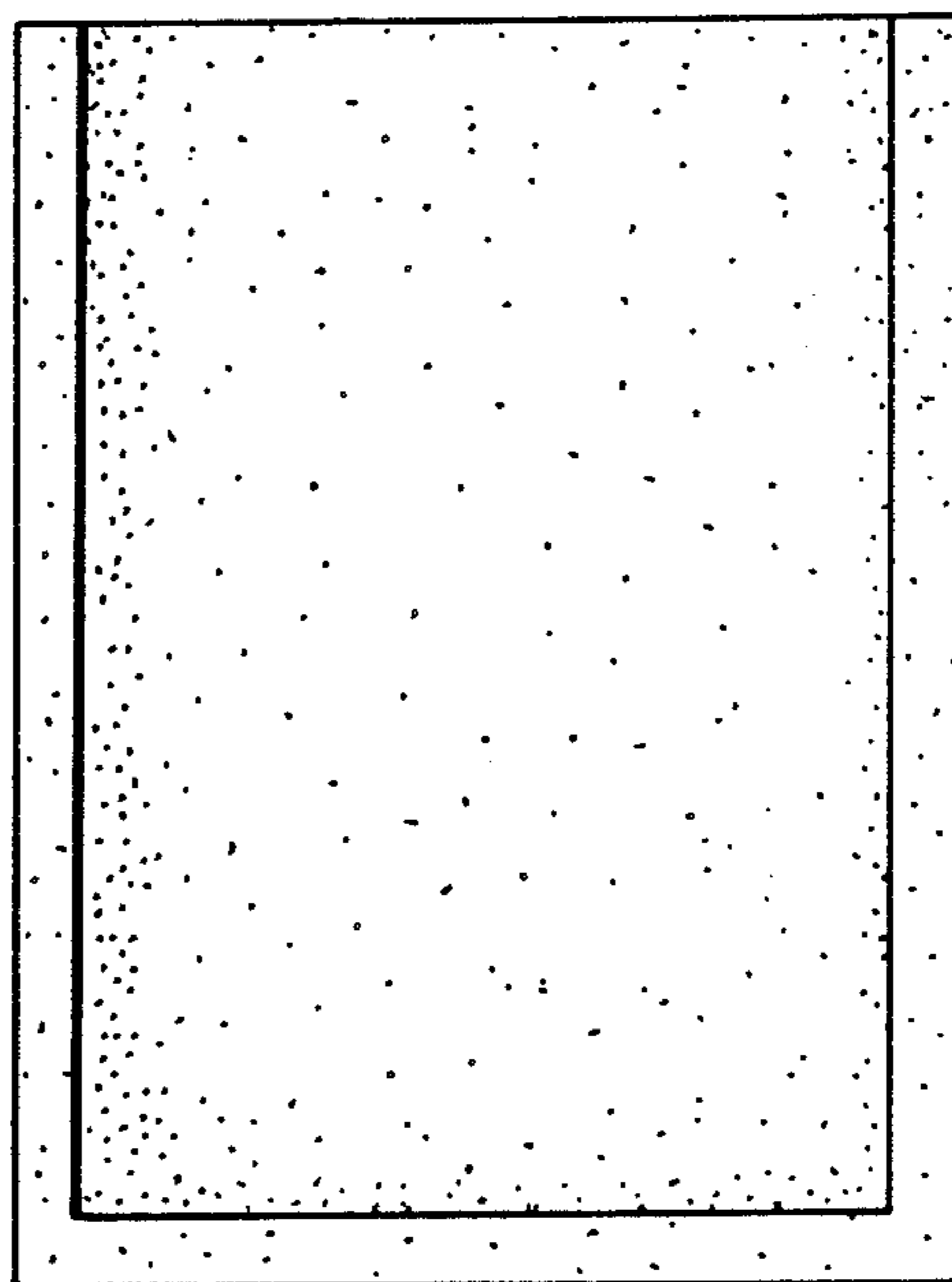


FIG. 4.