

United States Patent [19]

Hitchins

[11] Patent Number: Des. 310,259

[45] Date of Patent: ** Aug. 28, 1990

[54] ROOF GUTTER GUARD

[76] Inventor: William G. Hitchins, "Fiddawn",
New Cascade Road, Norfolk Island,

[**] Term: 14 Years

[21] Appl. No.: 2,342

[22] Filed: Jan. 12, 1987

[52] U.S. Cl. D23/367

[58] Field of Search D25/102, 132, 142, 143,
D25/119, 164, 199; D23/267, 261, 260; 52/11,
12; 210/154, 162, 166, 473, 474; 248/48.1

[56] References Cited

U.S. PATENT DOCUMENTS

| | | | | |
|------------|---------|--------------|-------|----------|
| D. 271,713 | 12/1983 | Hicks | | D25/164 |
| 669,495 | 3/1901 | Babcock | | 248/48.1 |
| 2,288,121 | 6/1942 | Cisar et al. | | 248/48.1 |
| 3,297,285 | 1/1967 | Simmons | | 248/48.1 |

| | | | | |
|-----------|---------|----------|-------|----------|
| 3,550,381 | 12/1970 | South | | 248/48.1 |
| 4,247,397 | 1/1981 | Dobosi | | 210/162 |
| 4,254,595 | 3/1981 | Crosslen | | 248/48.1 |
| 4,467,570 | 8/1984 | Kriegel | | 210/162 |
| 4,553,357 | 11/1985 | Pepper | | 248/48.1 |

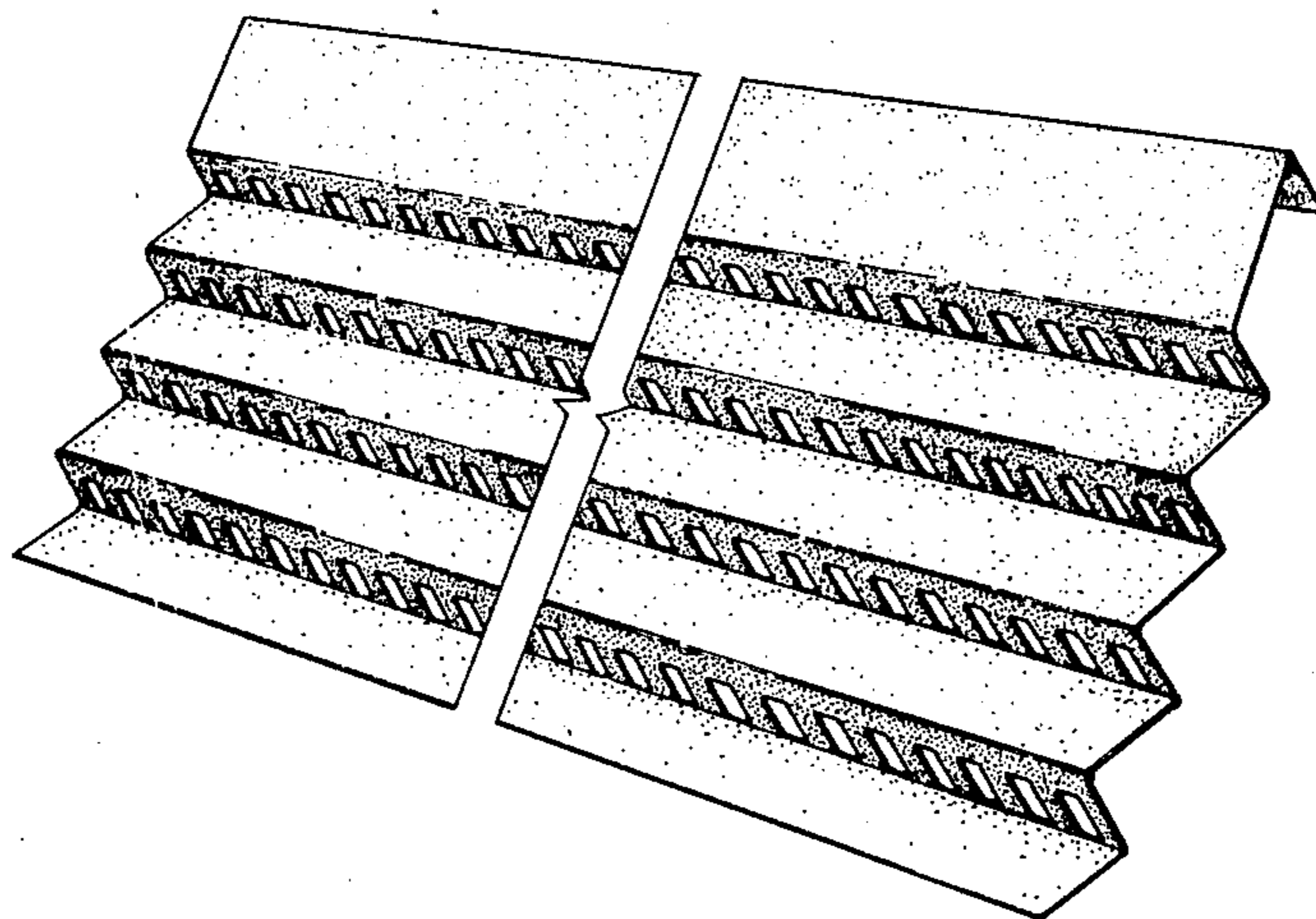
Primary Examiner—A. Hugo Word
Assistant Examiner—Doris Clark
Attorney, Agent, or Firm—Kinney & Lange

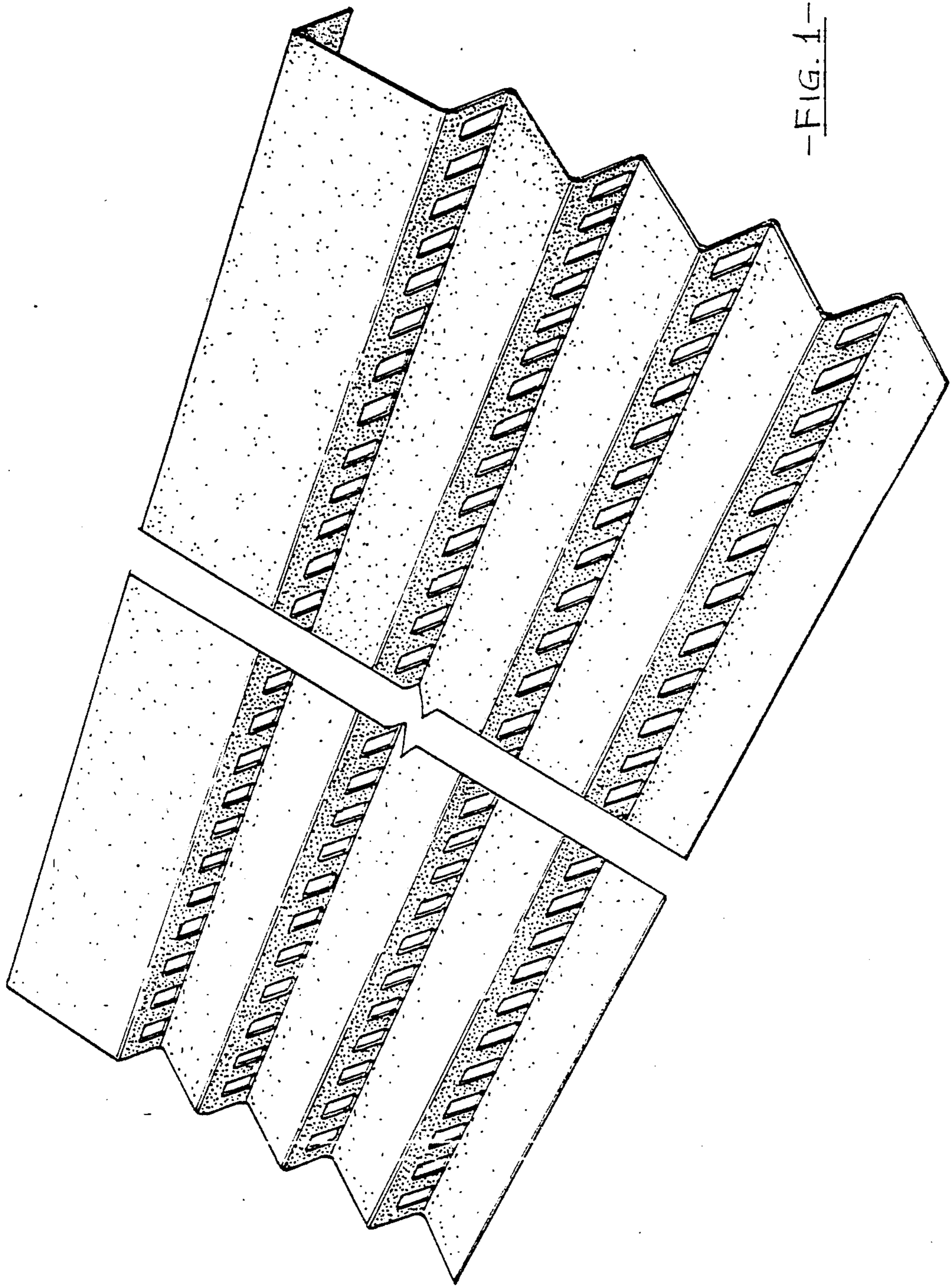
[57] CLAIM

The ornamental design for a roof gutter guard, as shown and described.

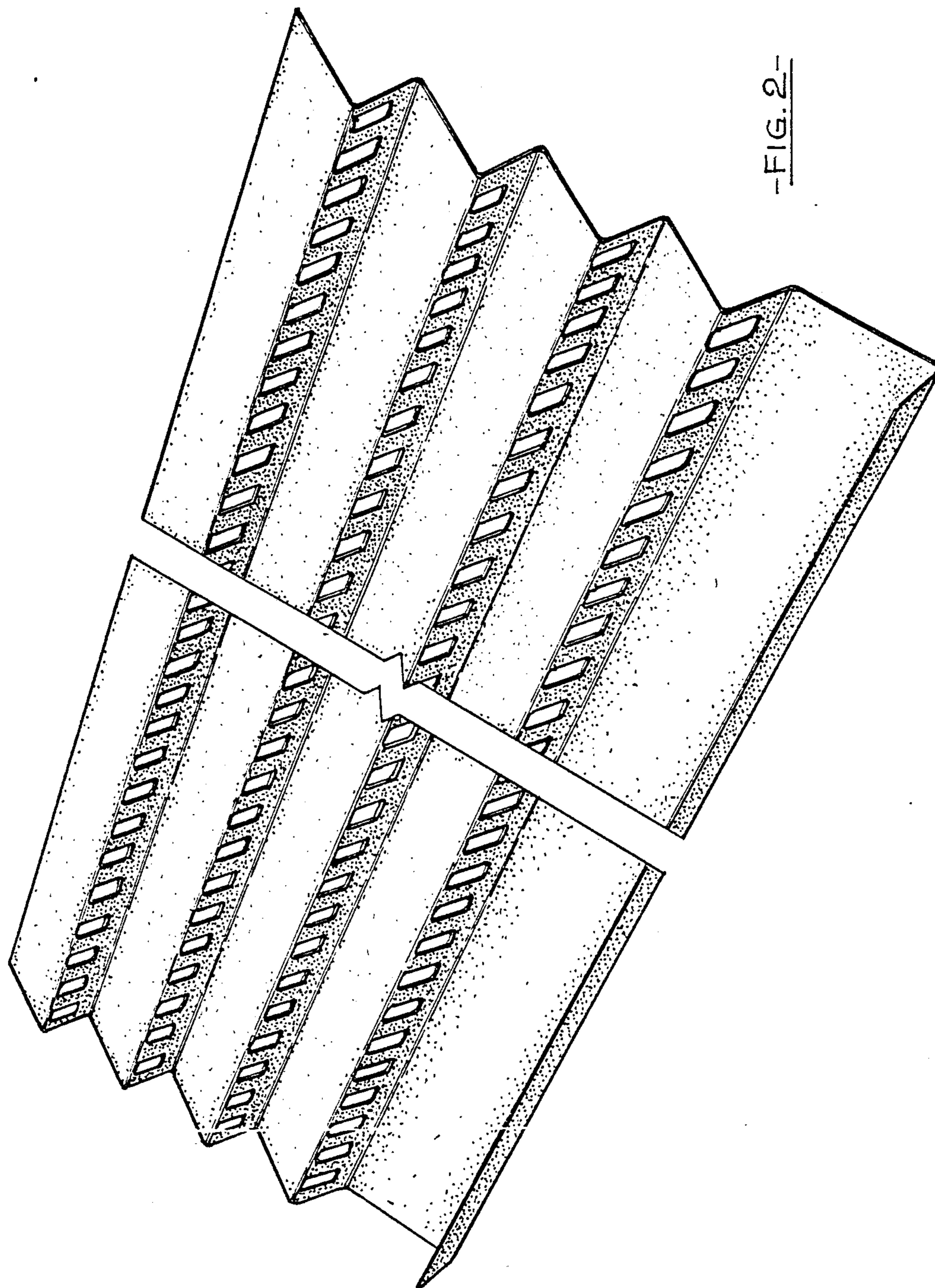
DESCRIPTION

FIG. 1 is a top perspective view of a roof gutter guard showing my new design;
FIG. 2 is a bottom perspective view thereof;
FIG. 3 is an end elevational view thereof; and
FIG. 4 is an elevational view taken from the end opposite that shown in FIG. 3.





-FIG. 1-



-FIG. 2-



-FIG. 4-