

[54] FAUCET SET

[75] Inventor: Joseph Strignano, New York, N.Y.

[73] Assignee: I.W. Industries, Melville, N.Y.

[\*\*] Term: 14 Years

[21] Appl. No.: 39,642

[22] Filed: Apr. 16, 1987

[52] U.S. Cl. .... D23/242

[58] Field of Search ..... D23/238-243;  
4/191-192; 137/801

D. 290,159	6/1987	Jans	.....	D23/242
D. 290,867	7/1987	Paul	.....	D23/242
D. 290,870	7/1987	Paul	.....	D23/242
D. 290,871	7/1987	Paul	.....	D23/242
D. 300,942	5/1989	Paul	.....	D23/242
D. 301,056	5/1989	Paul	.....	D23/242

Primary Examiner—James R. Largen  
Attorney, Agent, or Firm—Alfred M. Walker

[57] CLAIM

The ornamental design for a faucet set, as shown and described.

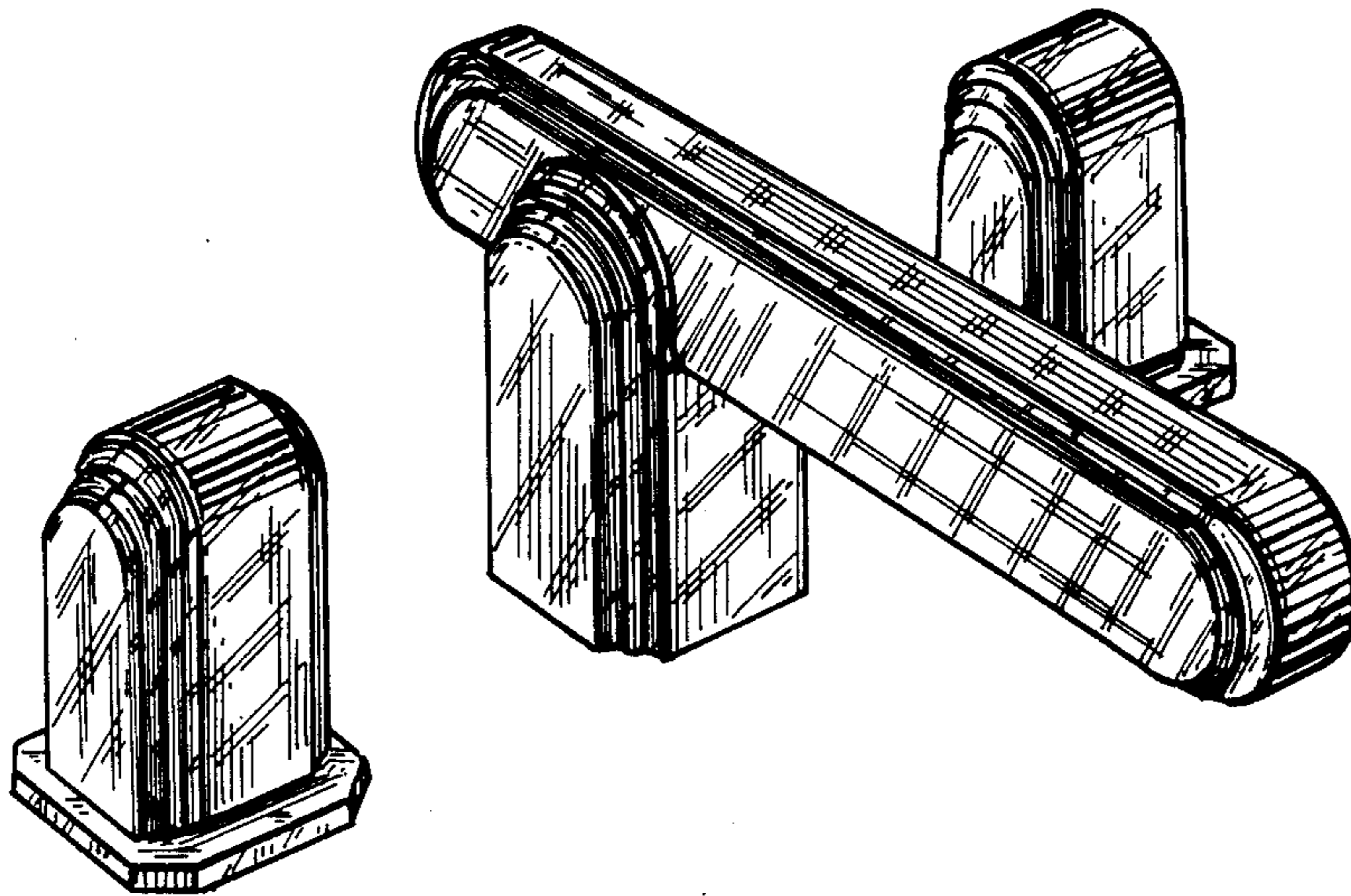
[56] References Cited

U.S. PATENT DOCUMENTS

D. 271,514	11/1983	Paul	.....	D23/242
D. 278,458	4/1985	Paul	.....	D23/242
D. 279,213	6/1985	Paul	.....	D23/242
D. 280,232	8/1985	Paul	.....	D23/242
D. 280,437	9/1985	Rademacher	.....	D23/242

DESCRIPTION

FIG. 1 is a perspective view taken from the top, front and left side of a faucet set showing my new design; FIG. 2 is a top plan view thereof; FIG. 3 is a front elevational view thereof; and FIG. 4 is a left side elevational view thereof, the right side being a mirror image of the left side shown.



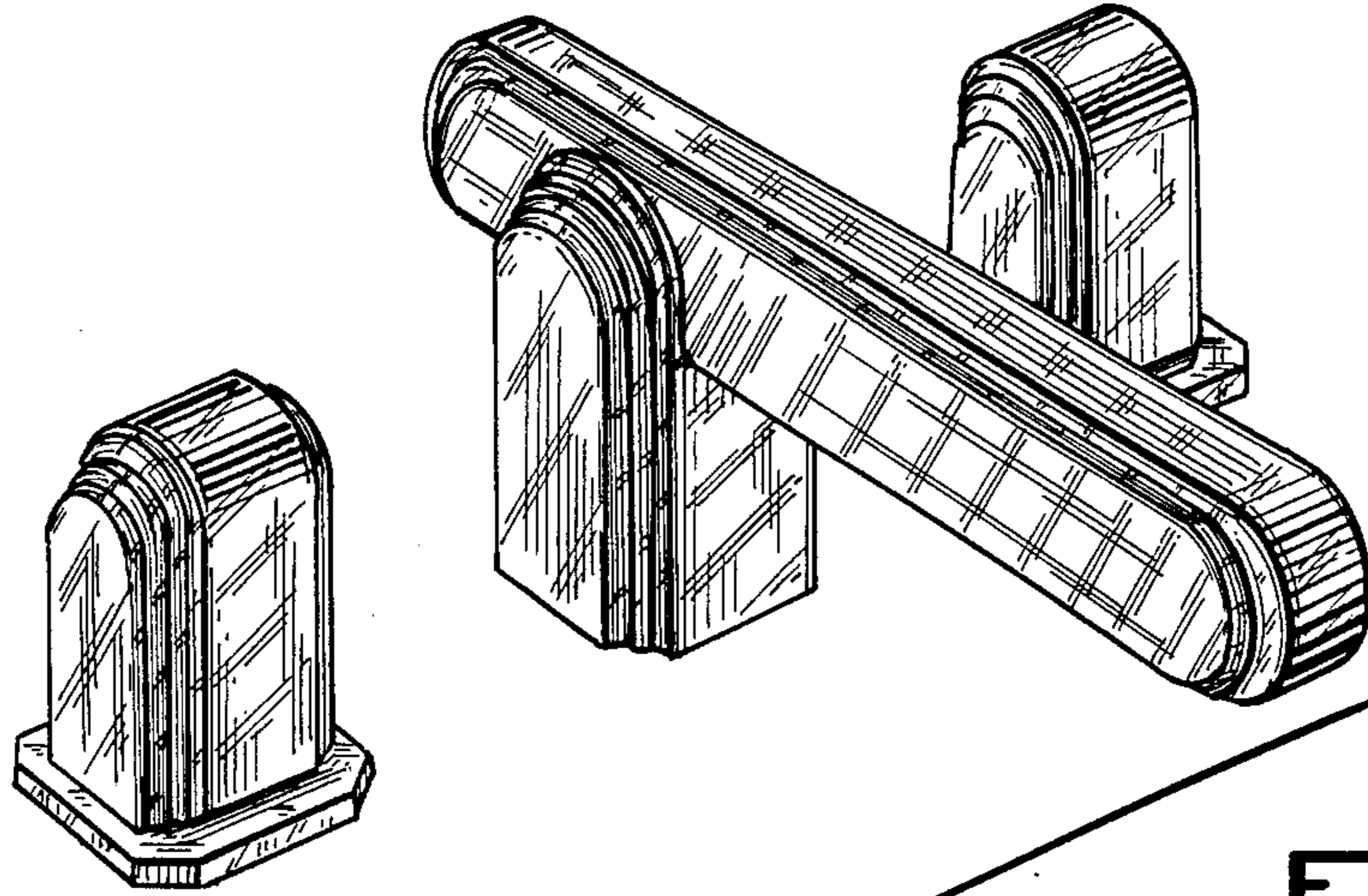


Fig. 1

Fig. 2

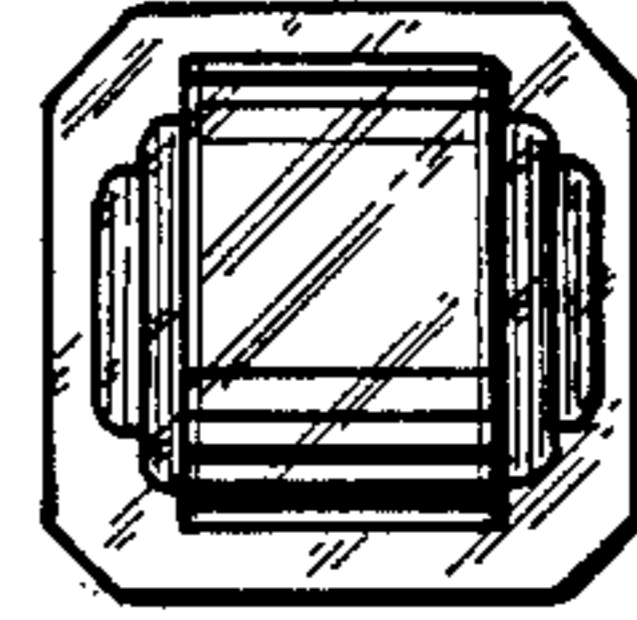
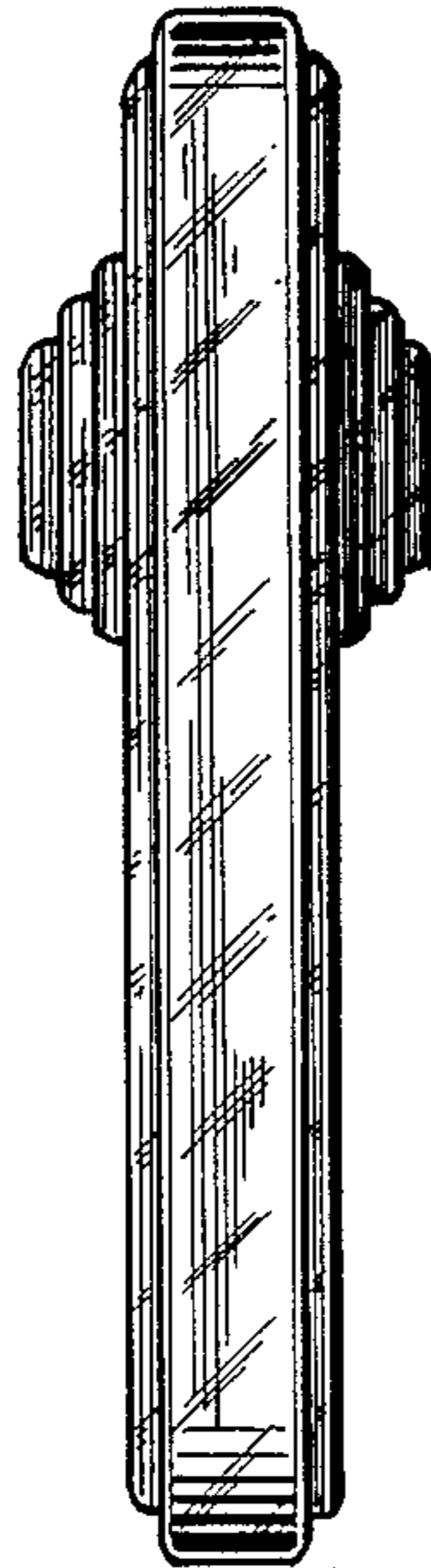
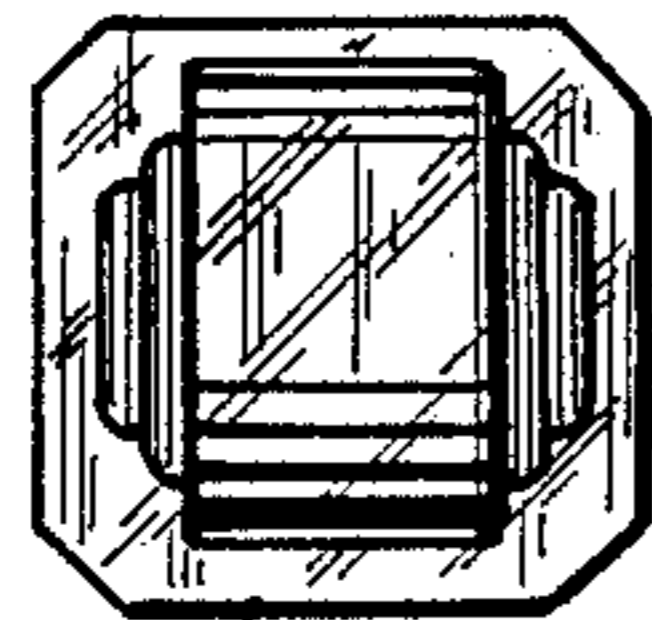
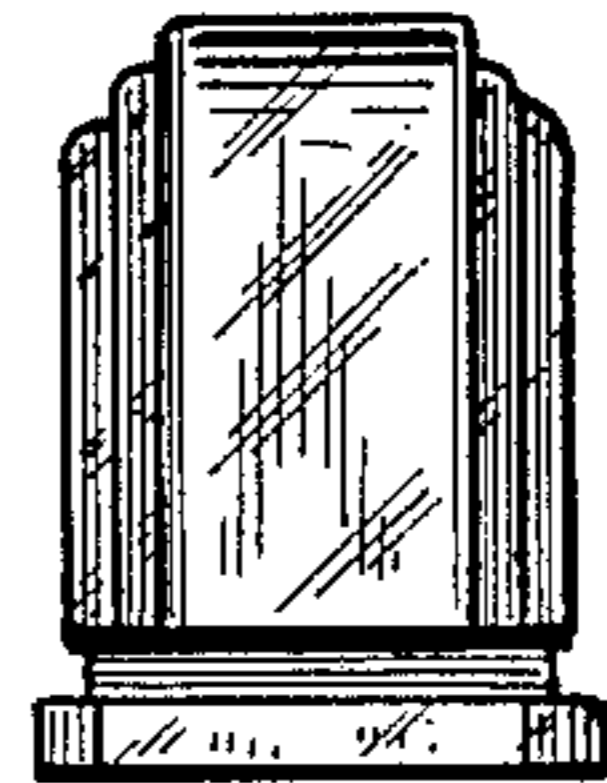
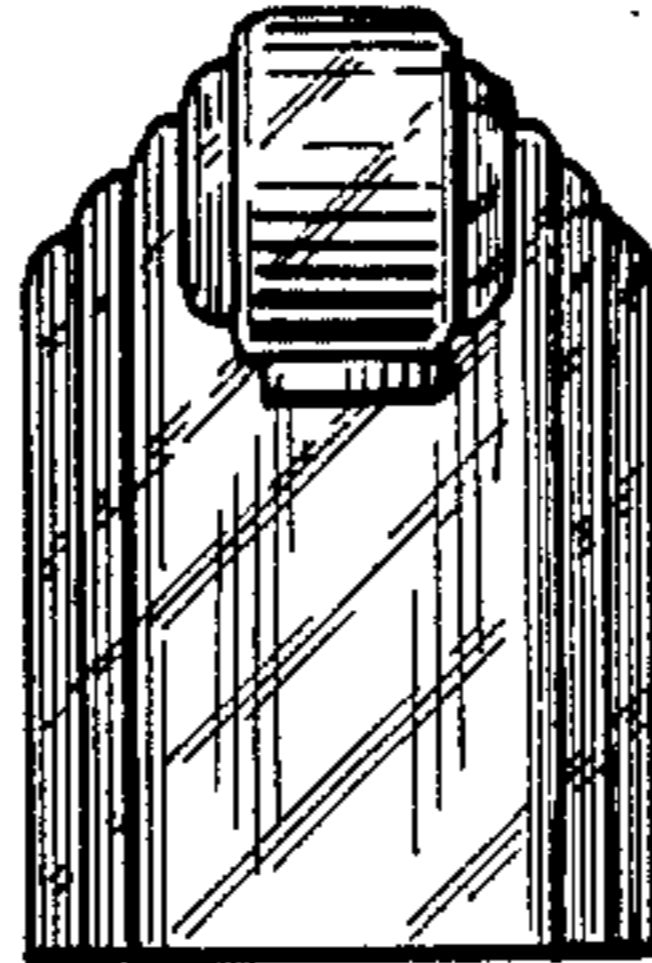
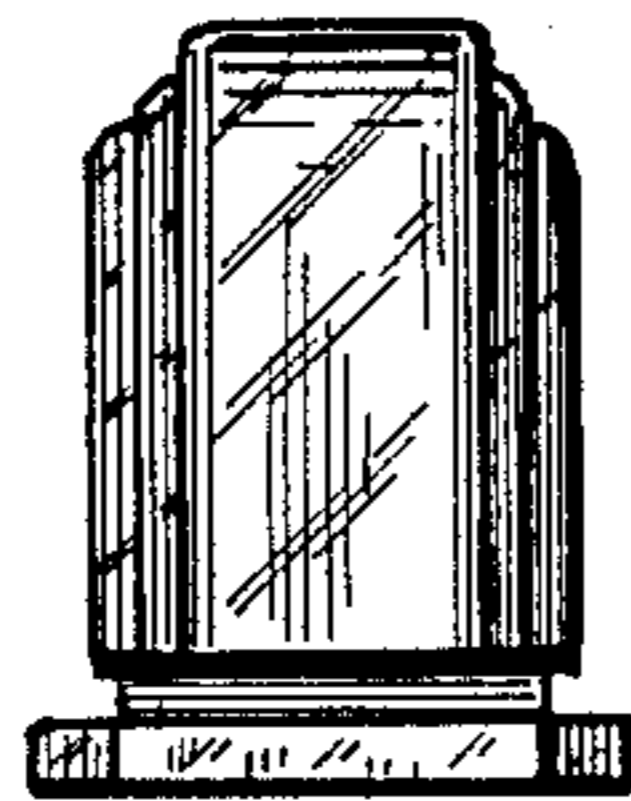


Fig. 3



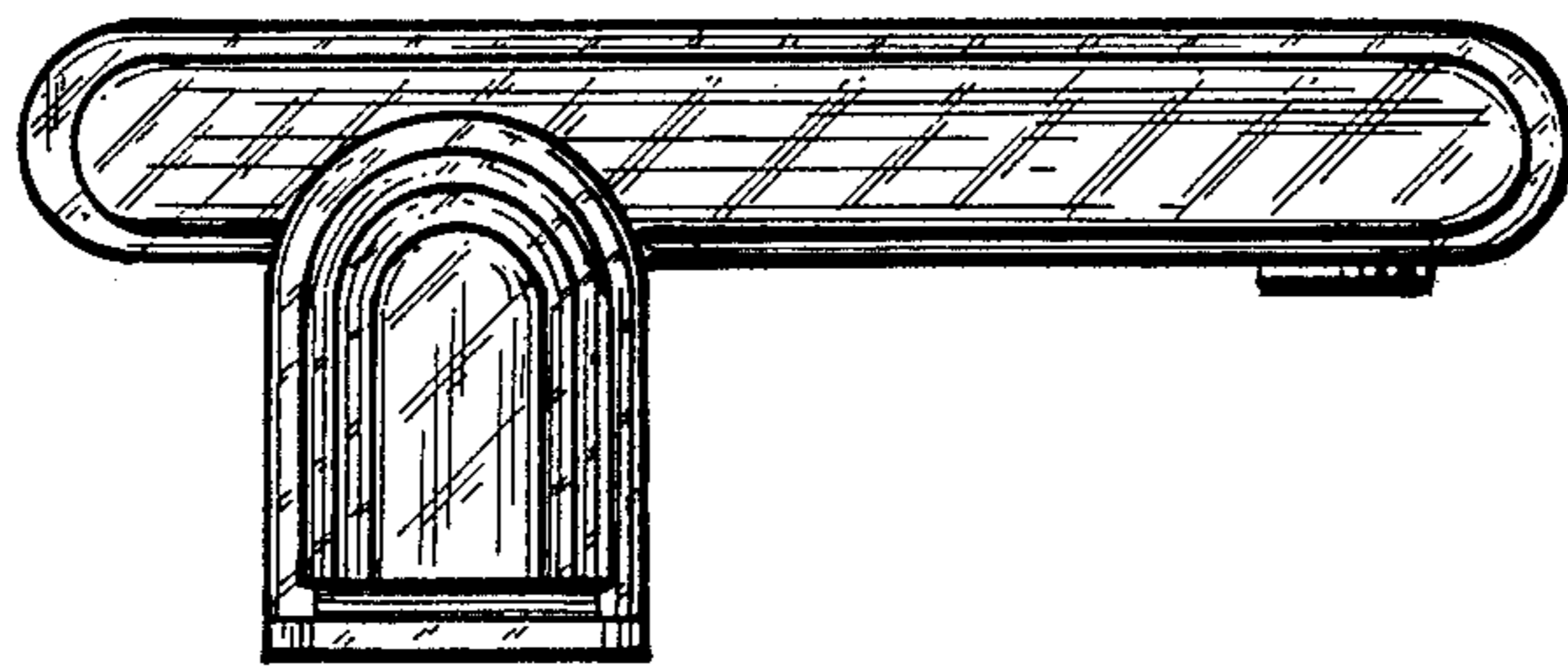


Fig. 4