

[54] EXERCISE CYCLE

[75] Inventors: George Bersonnet, River Heights; William T. Dalebout, Logan, both of Utah

[73] Assignee: Proform Fitness Products, Inc., Logan, Utah

[**] Term: 14 Years

[21] Appl. No.: 296,983

[22] Filed: Jan. 12, 1989

[52] U.S. Cl. D21/194

[58] Field of Search D21/191-199; 272/93, 70.3, 132; 73/379

[56] References Cited

U.S. PATENT DOCUMENTS

- D. 210,958 5/1968 Westborg D21/194
- D. 262,302 12/1981 Disbrow et al. D21/194

- D. 301,268 5/1989 Salovaara D21/194
- D. 307,167 4/1990 Lucas et al. D21/194
- D. 307,615 5/1990 Bingham et al. D21/194

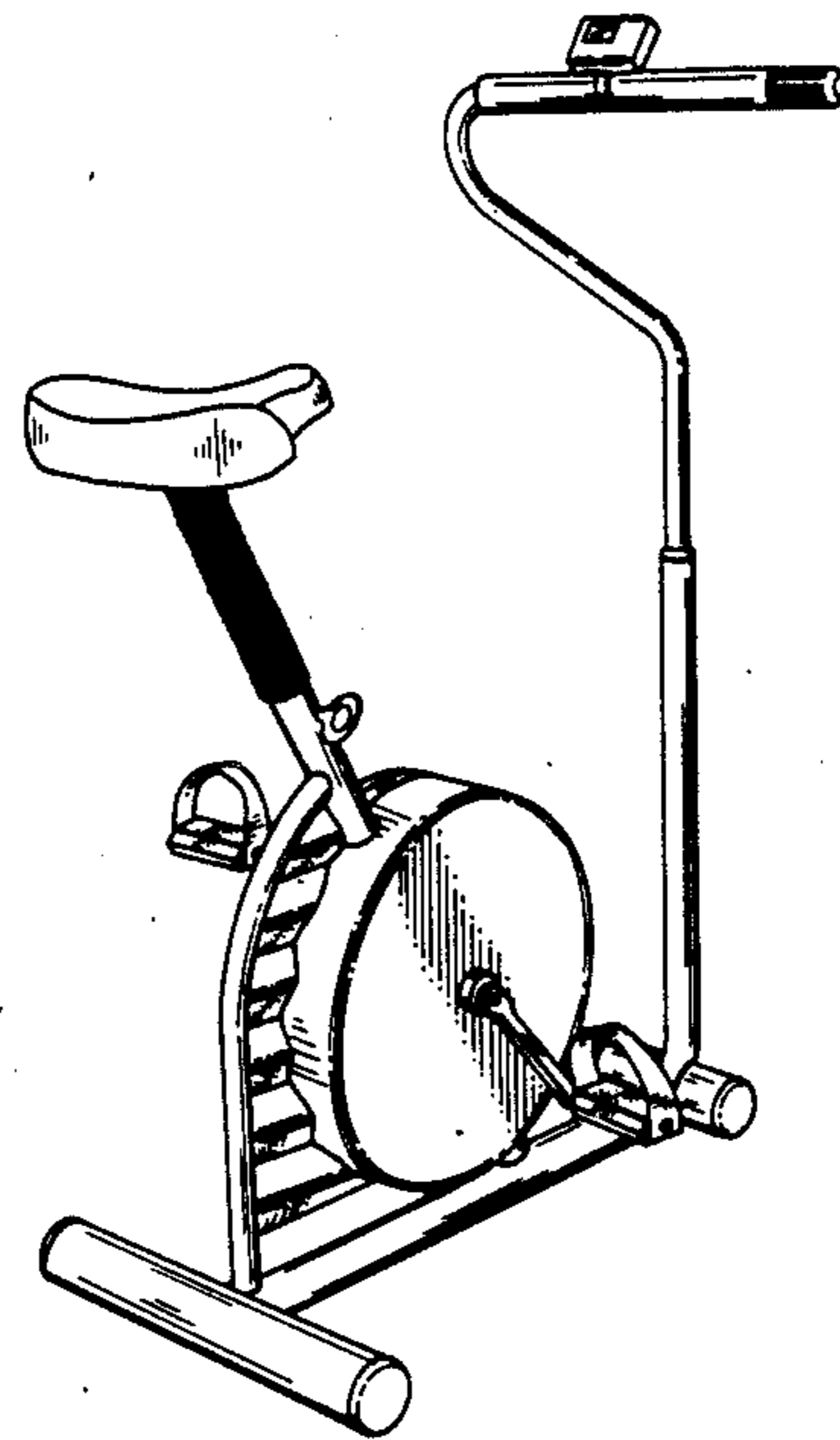
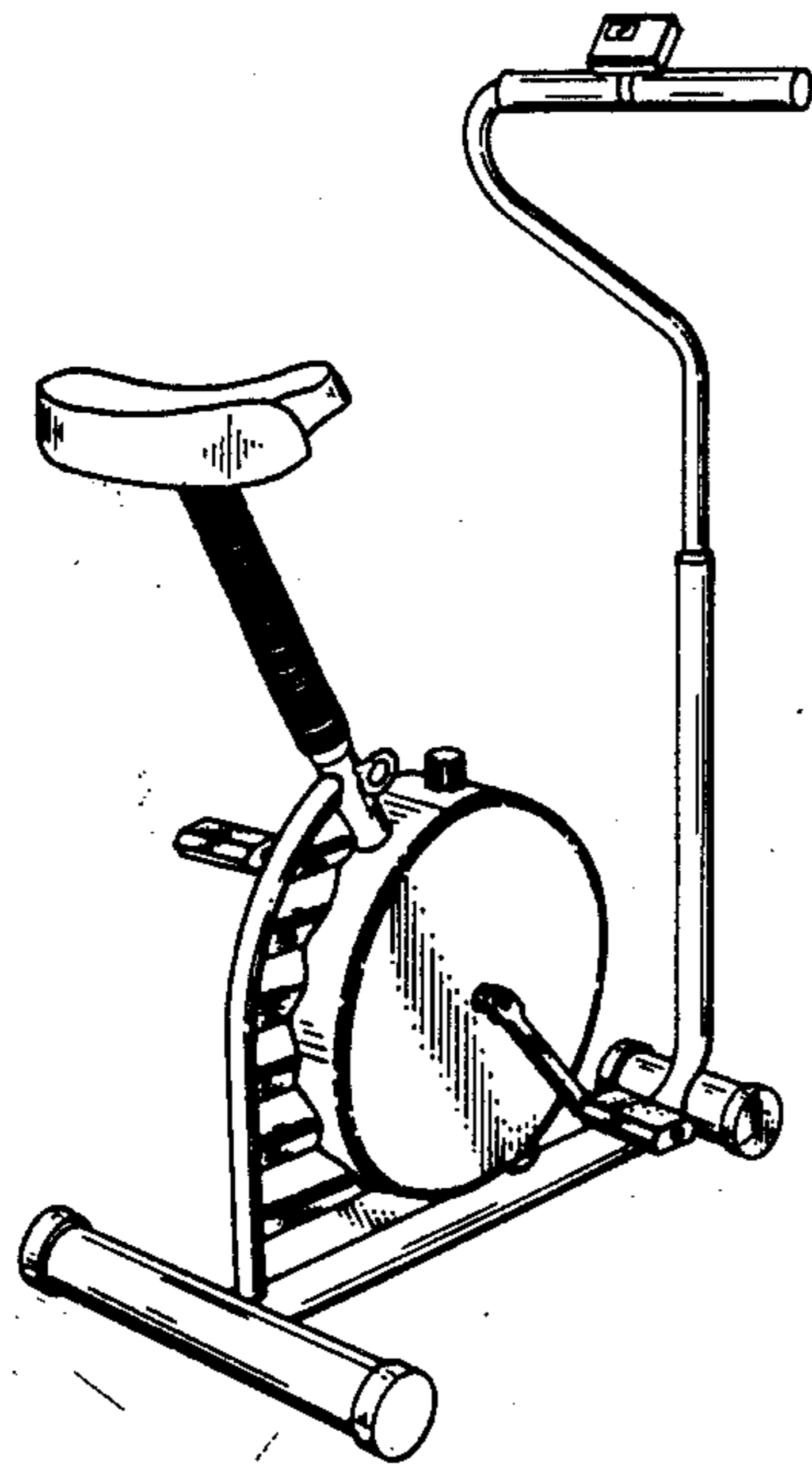
Primary Examiner—Charles A. Rademaker
Attorney, Agent, or Firm—Trask, Britt & Rossa

[57] CLAIM

The ornamental design for a exercise cycle, as shown and described.

DESCRIPTION

FIG. 1 is a perspective view of an exercise cycle showing our new design;
 FIG. 2 is a right side elevational view thereof;
 FIG. 3 is a left side elevational view thereof;
 FIG. 4 is a front elevational view thereof;
 FIG. 5 is a rear elevational view thereof;
 FIG. 6 is a top plan view thereof;
 FIG. 7 is a bottom plan view thereof; and
 FIG. 8 is a modified embodiment of the design shown in FIGS. 1 through 7.



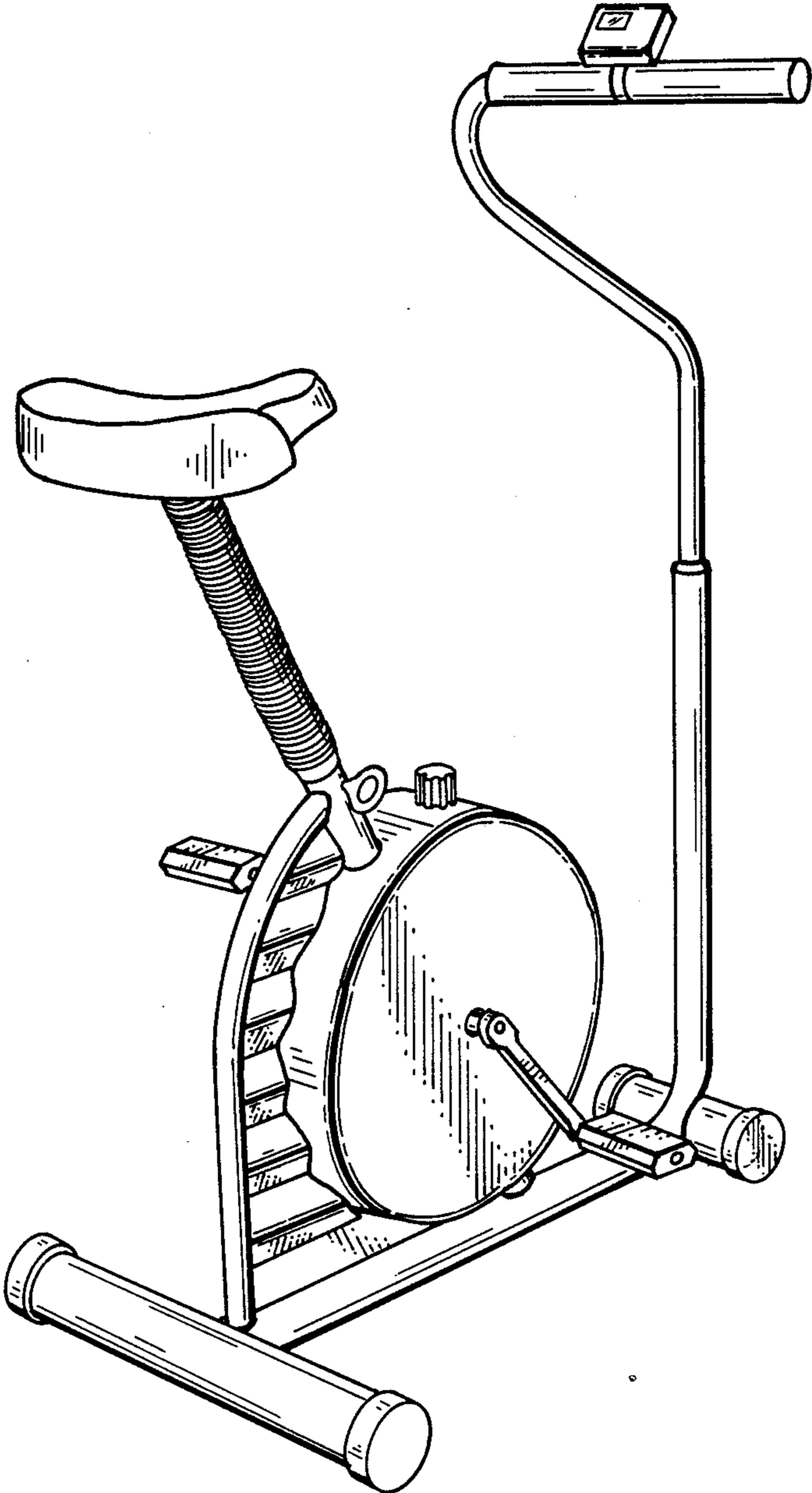


Fig. 1

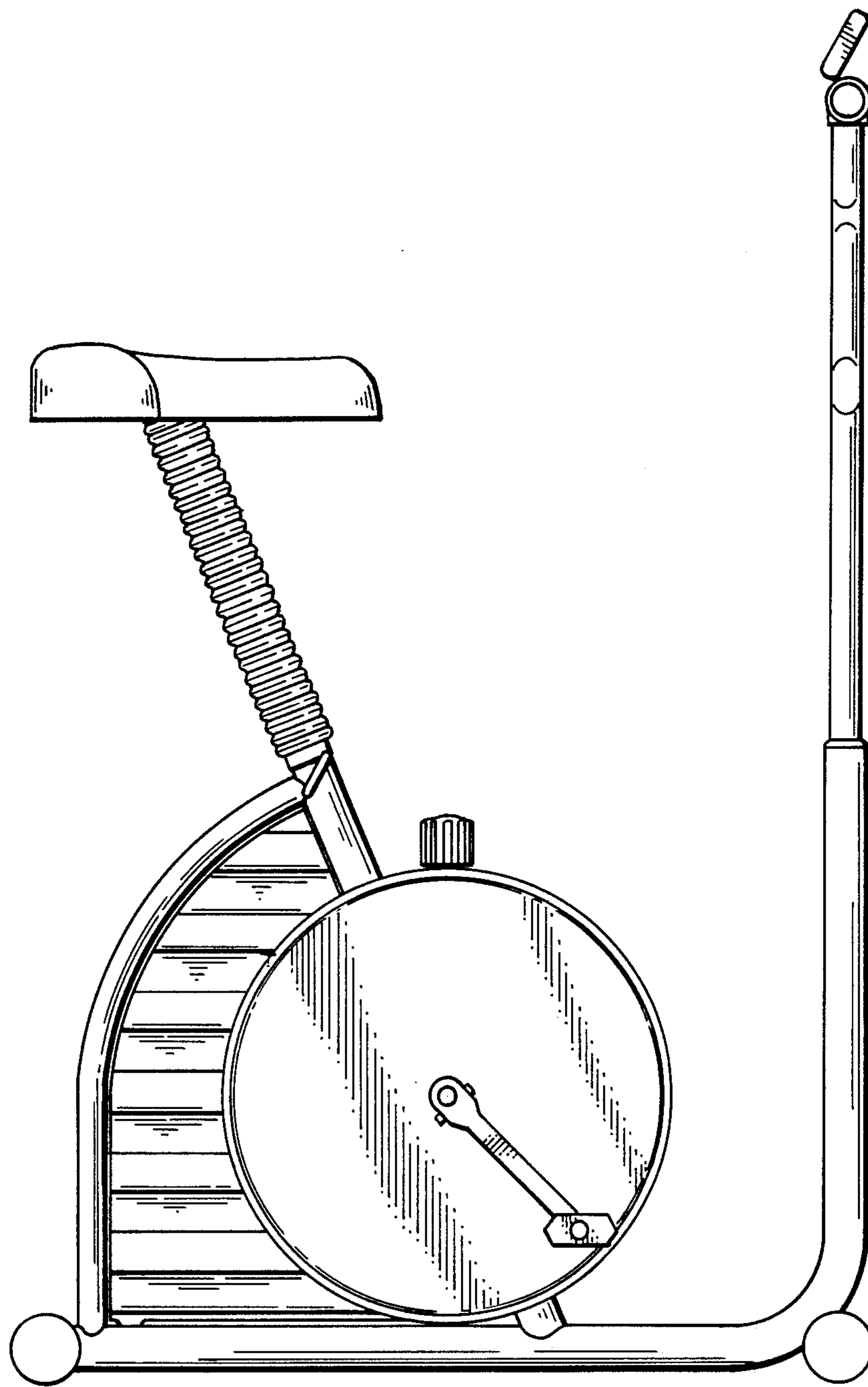


Fig. 2

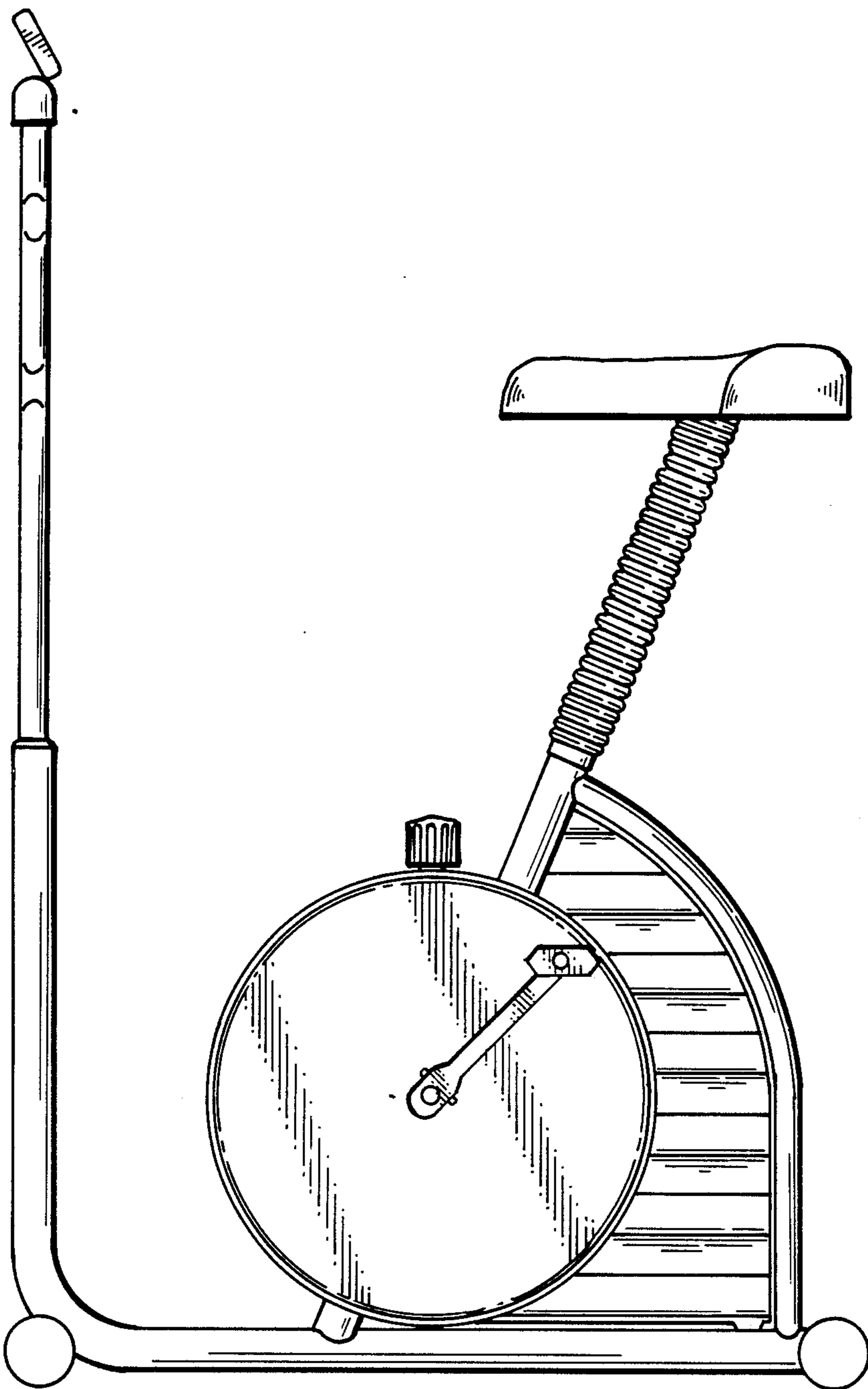


Fig. 3

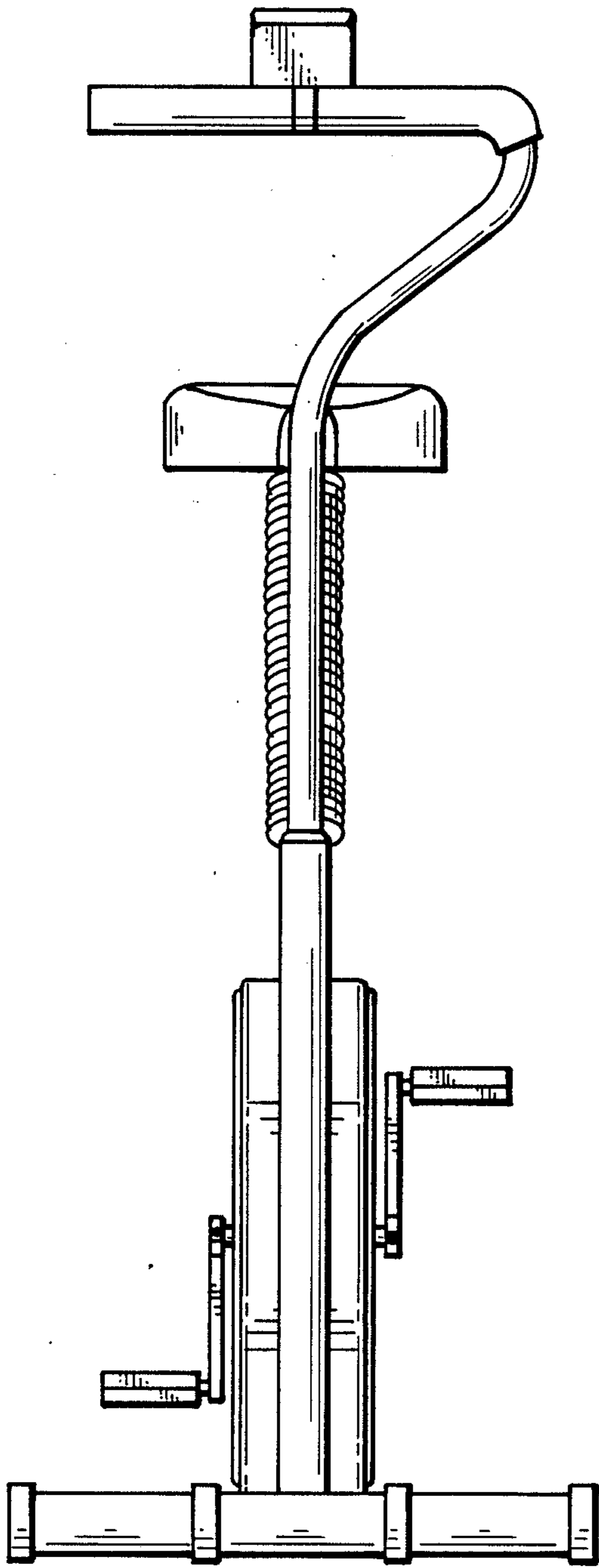


Fig. 4

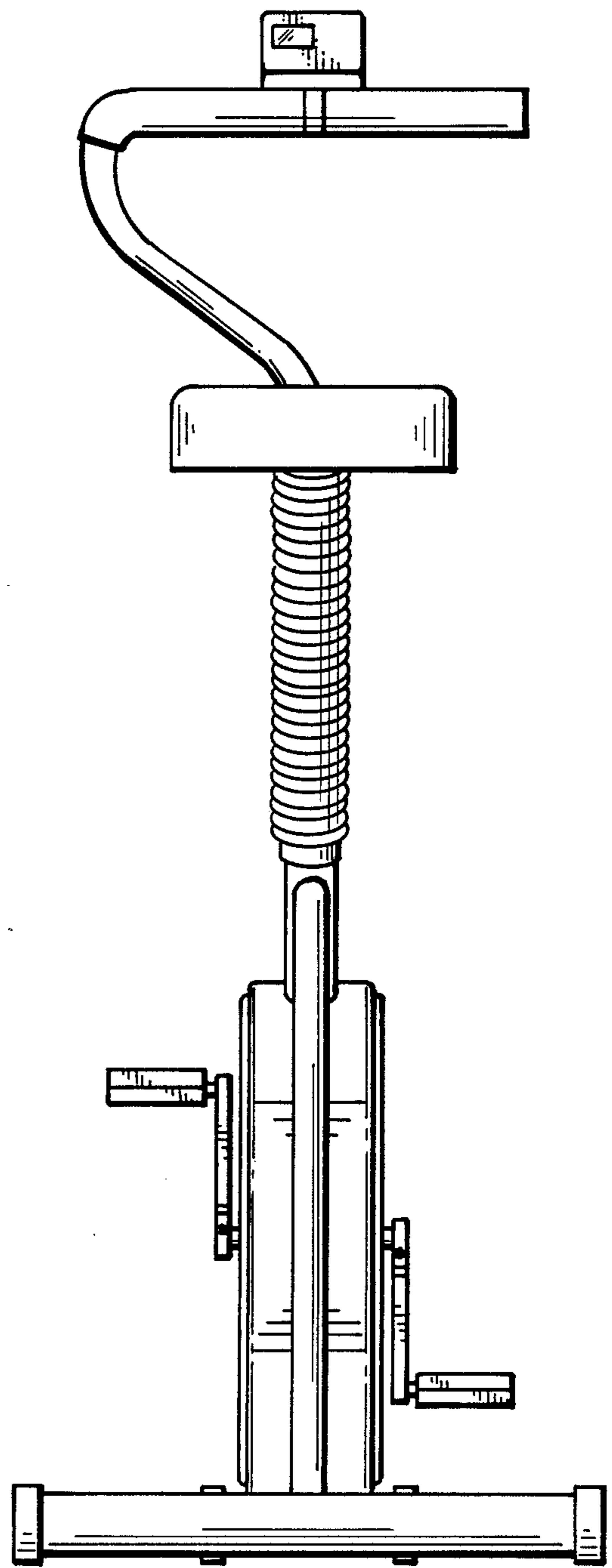


Fig. 5

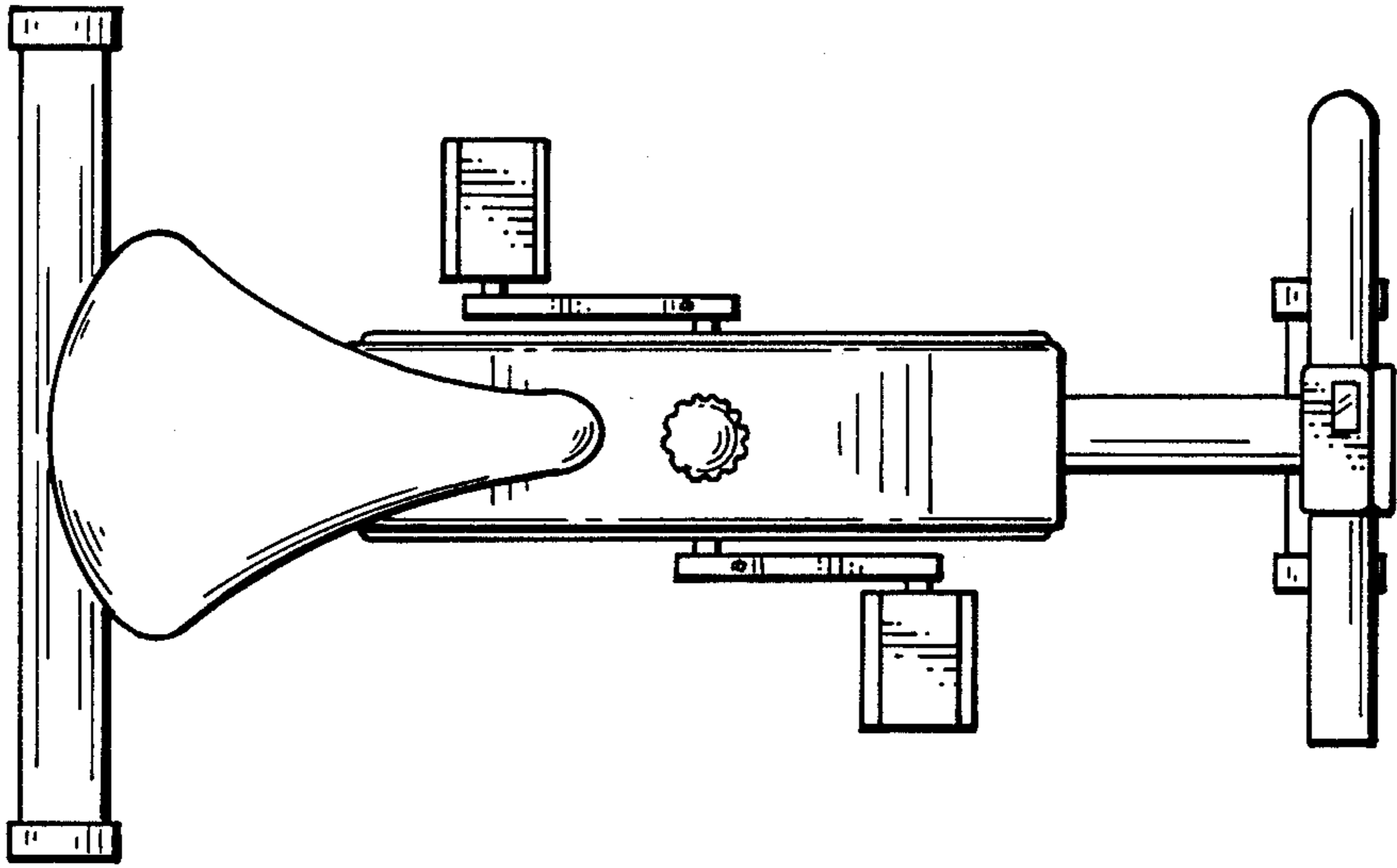


Fig. 6

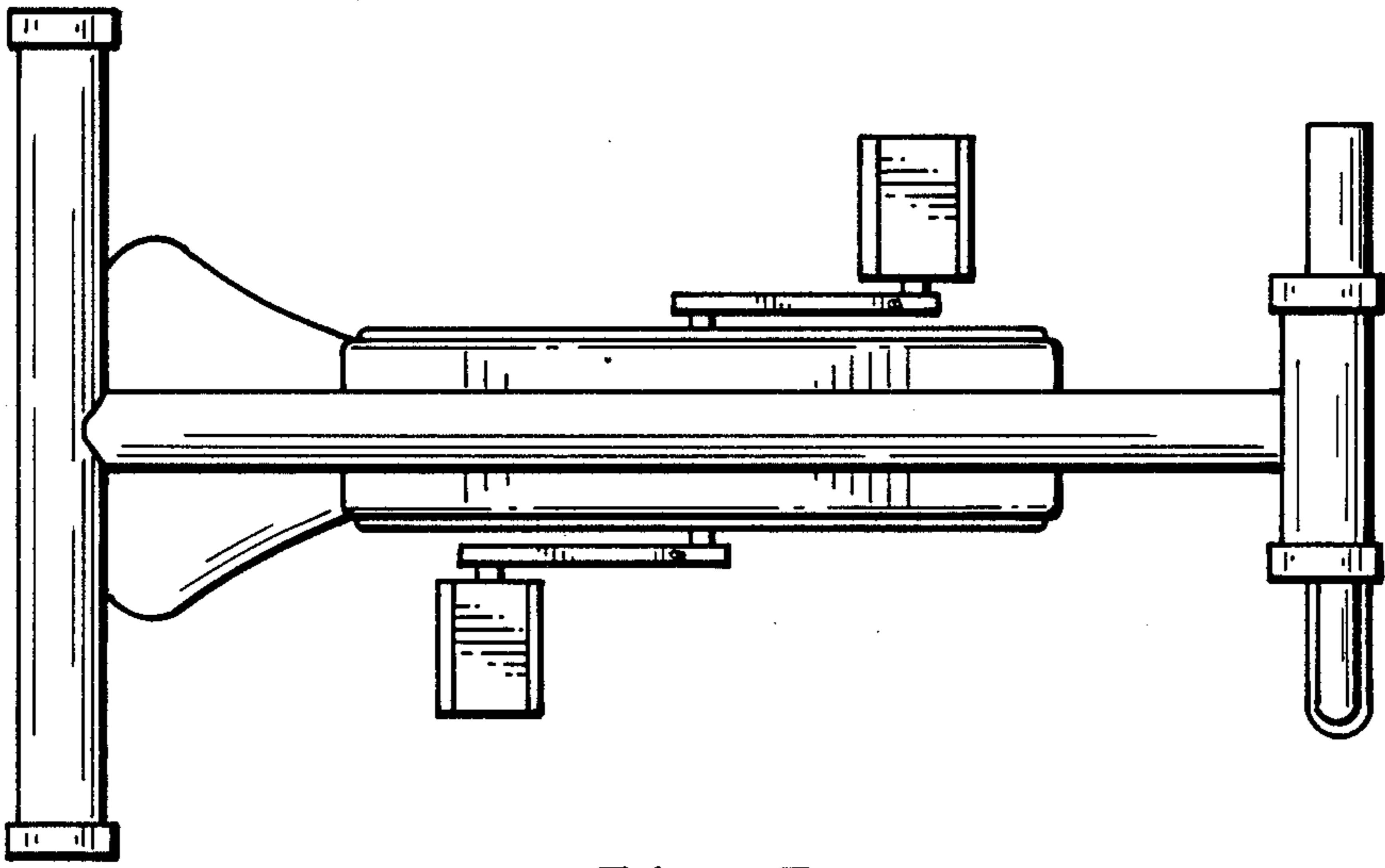


Fig. 7

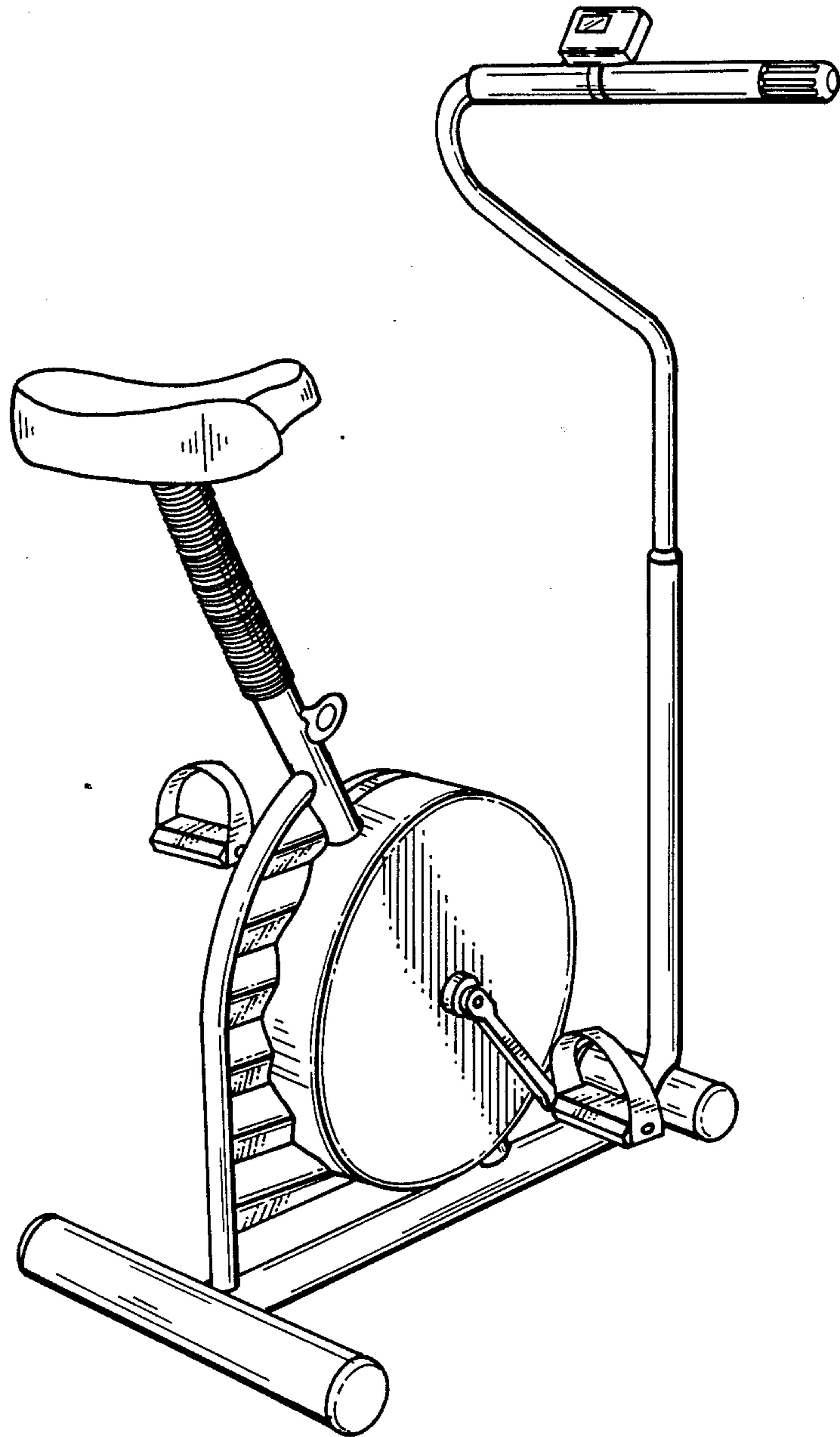


Fig. 8