

[54] **TOY AIRPLANE**

[76] **Inventor: Edmund G. Zimmerman, 245 Iolani Ave., #101, Honolulu, Hi. 96813**

[**] **Term: 14 Years**

[21] **Appl. No.: 236,113**

[22] **Filed: Aug. 24, 1988**

[52] **U.S. Cl. D21/90**

[58] **Field of Search D21/82, 83, 84, 85, D21/86-90; 446/34, 36, 61-68**

[56] **References Cited**

U.S. PATENT DOCUMENTS

- D. 251,865 5/1979 Butler D21/90
- 2,182,913 12/1939 Brubaker D21/90

3,777,392 12/1973 Span et al. D21/90

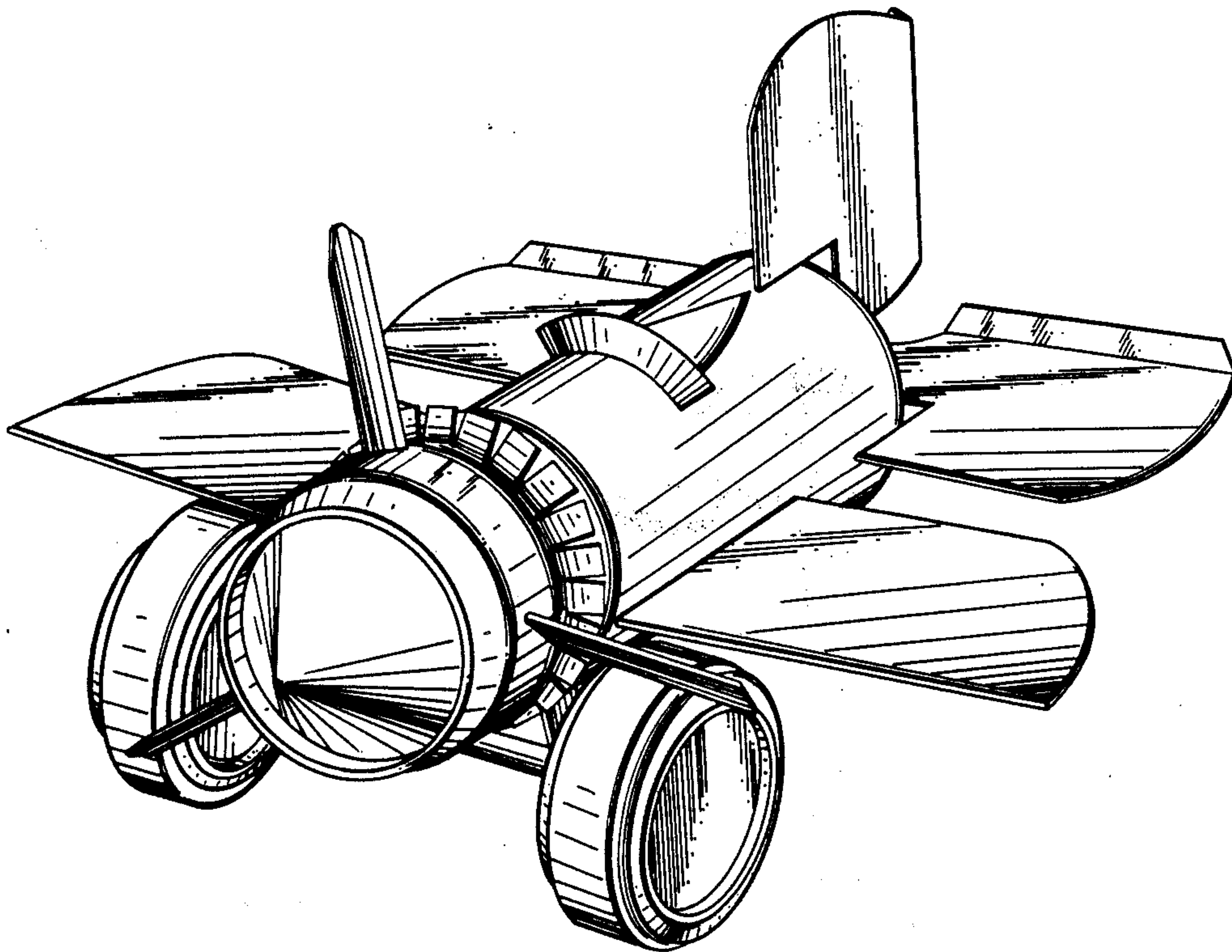
Primary Examiner—Charles A. Rademaker
Attorney, Agent, or Firm—Martin E. Hsia

[57] **CLAIM**

The ornamental design for a toy airplane, as shown.

DESCRIPTION

FIG. 1 is a front perspective view of a model airplane showing my new design;
 FIG. 2 is a top plan view thereof;
 FIG. 3 is a right side elevational view thereof;
 FIG. 4 is a bottom plan view thereof;
 FIG. 5 is a left side elevational view thereof;
 FIG. 6 is a front elevational view thereof; and
 FIG. 7 is a rear elevational view thereof.



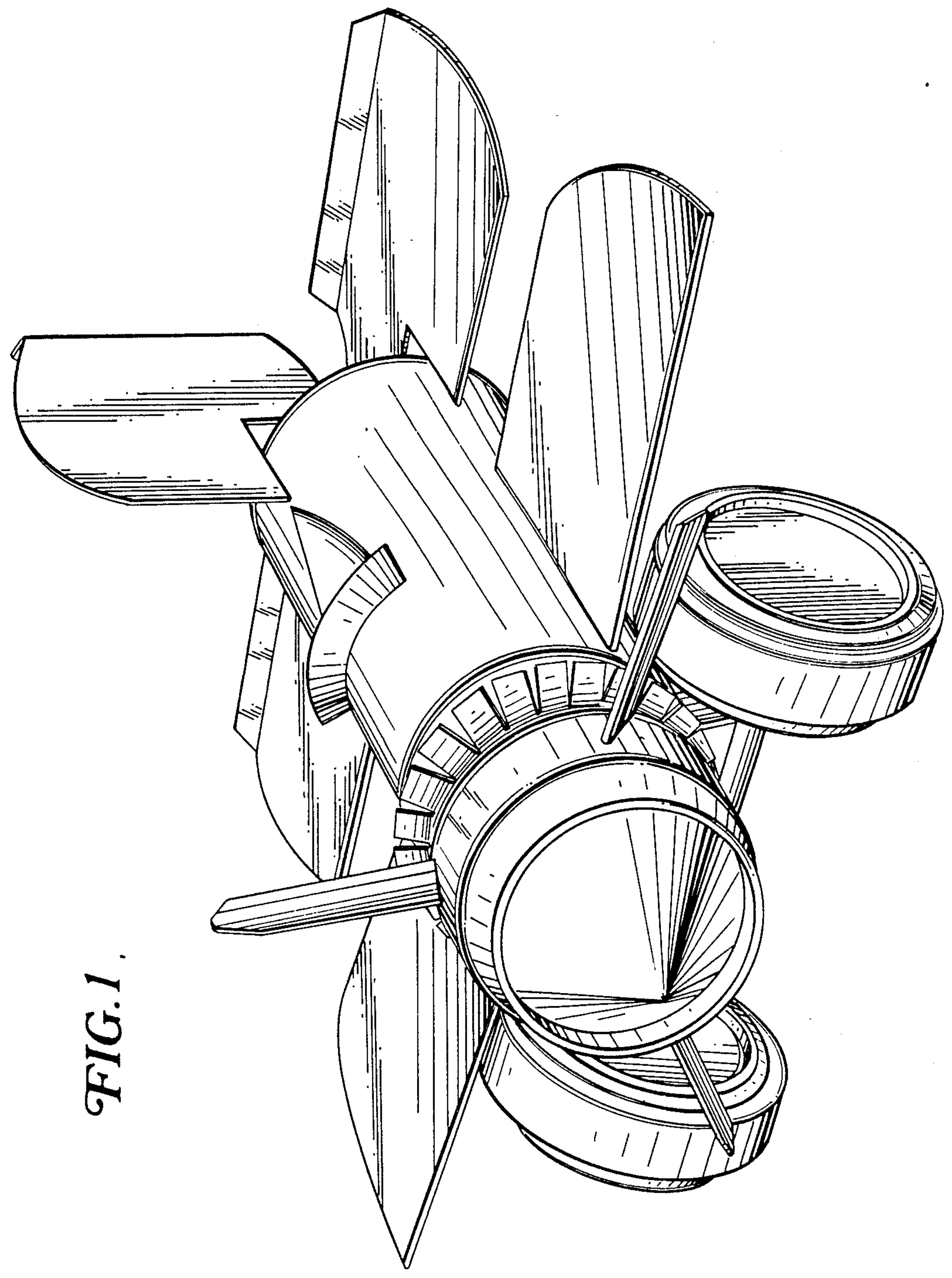


FIG. 1

FIG. 2

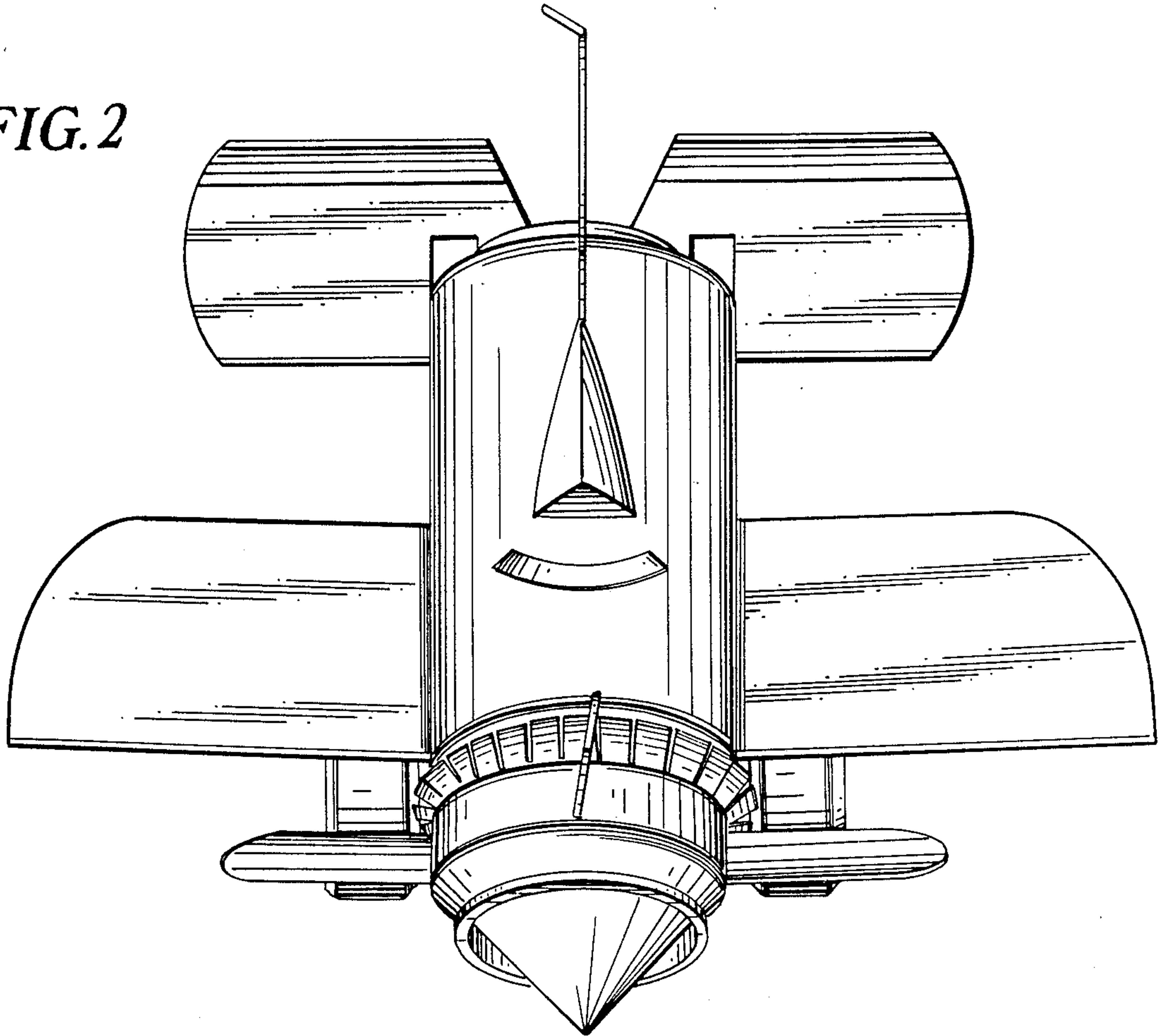


FIG. 3

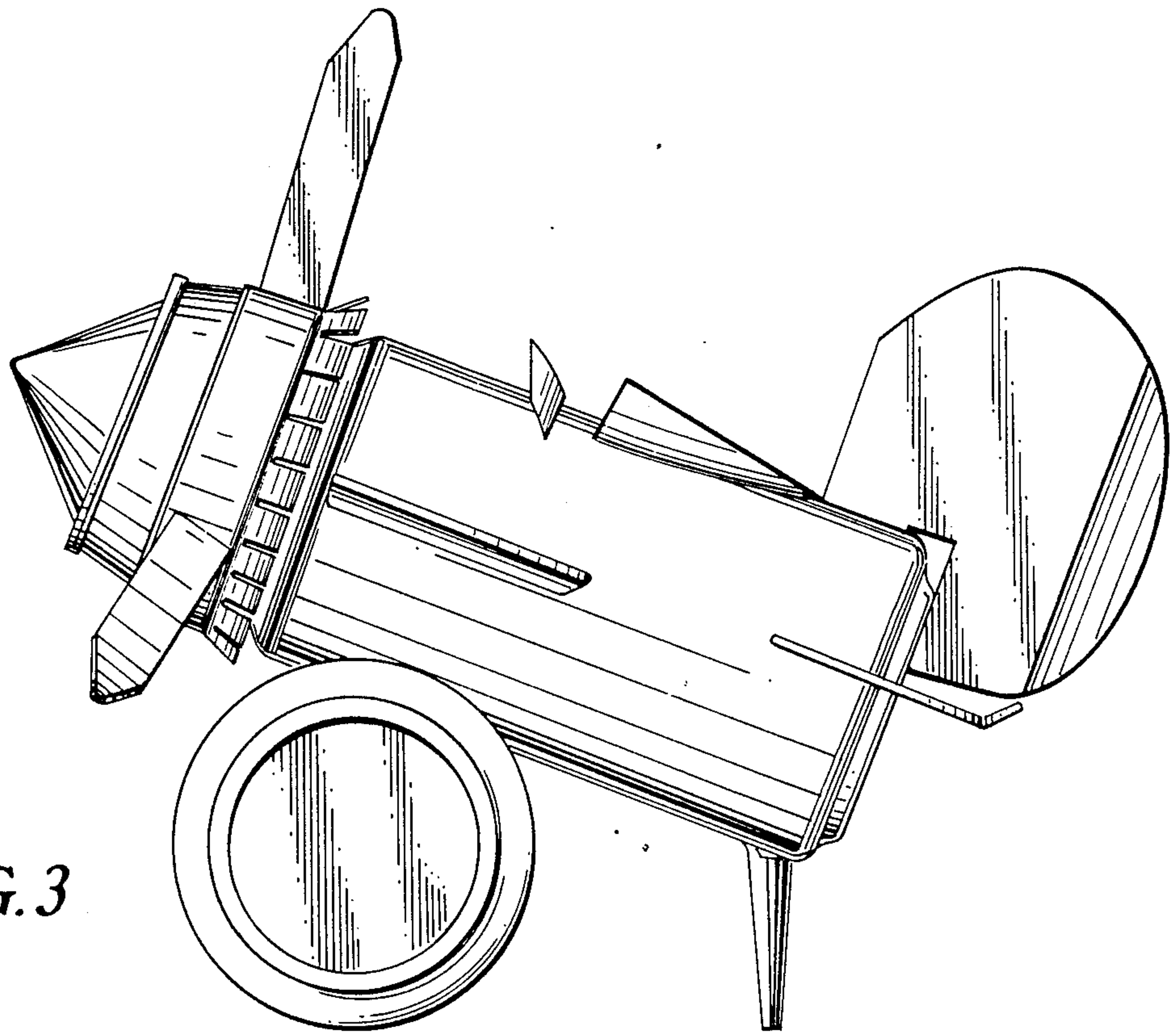


FIG. 4

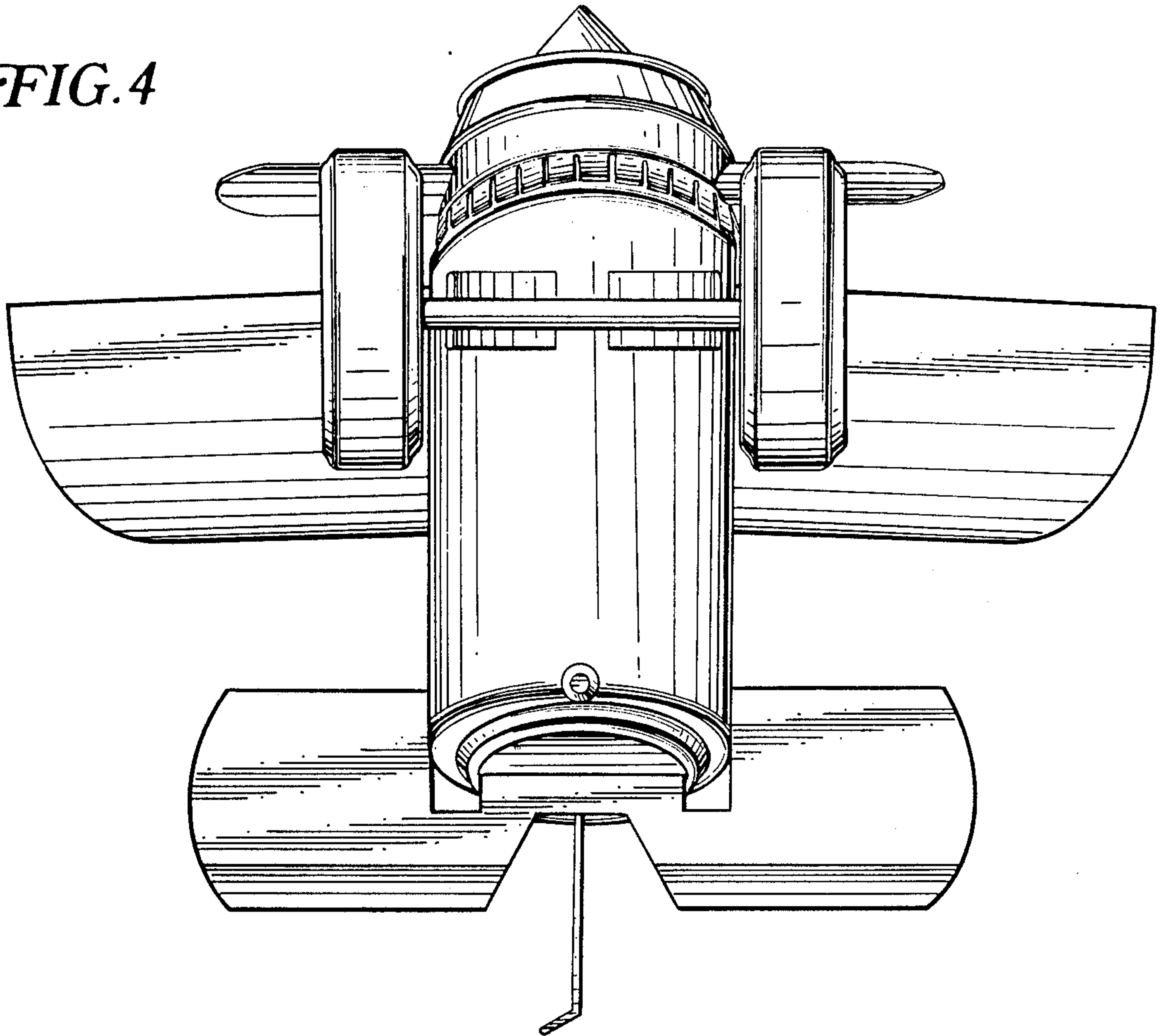


FIG. 5

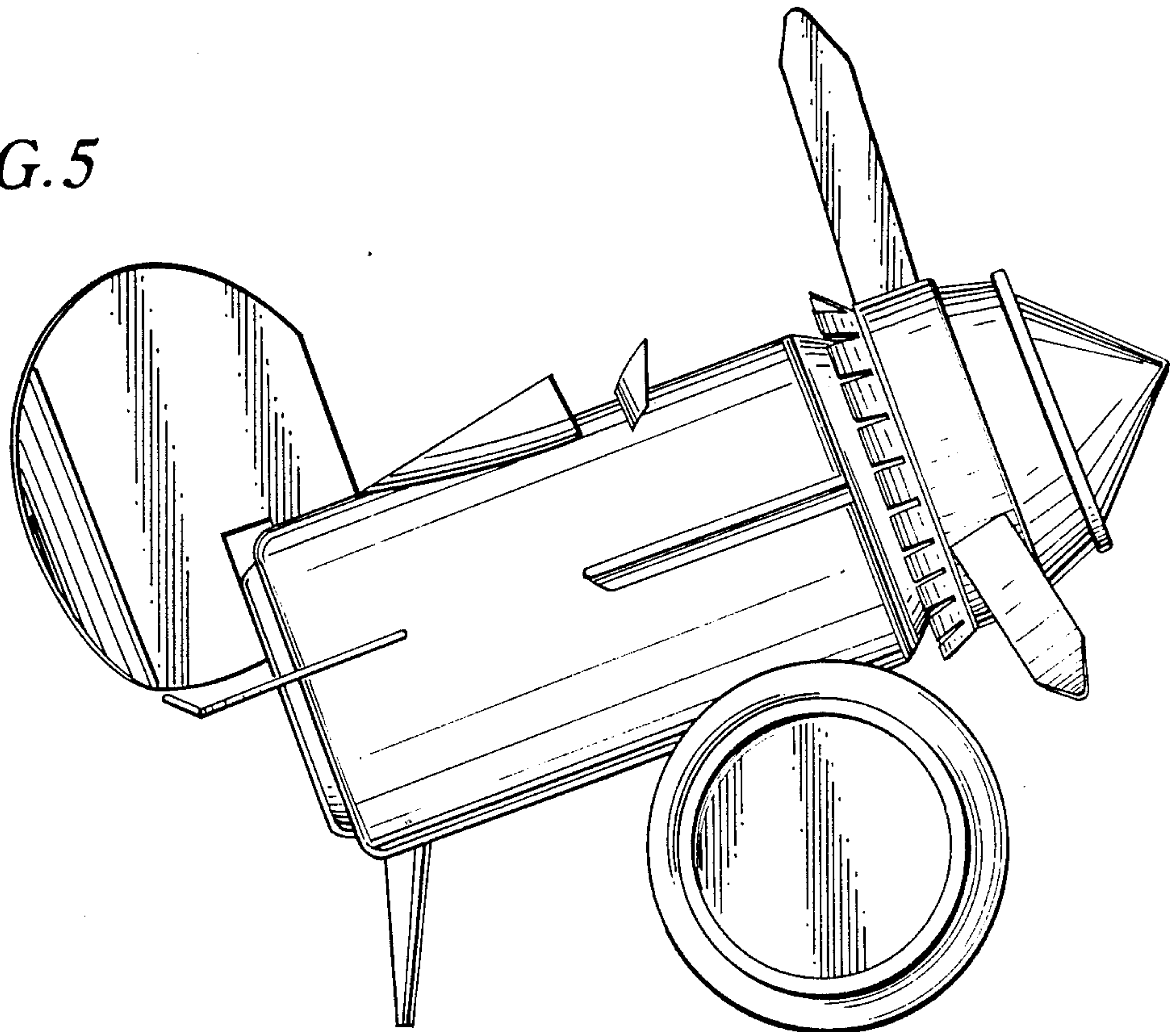


FIG. 6

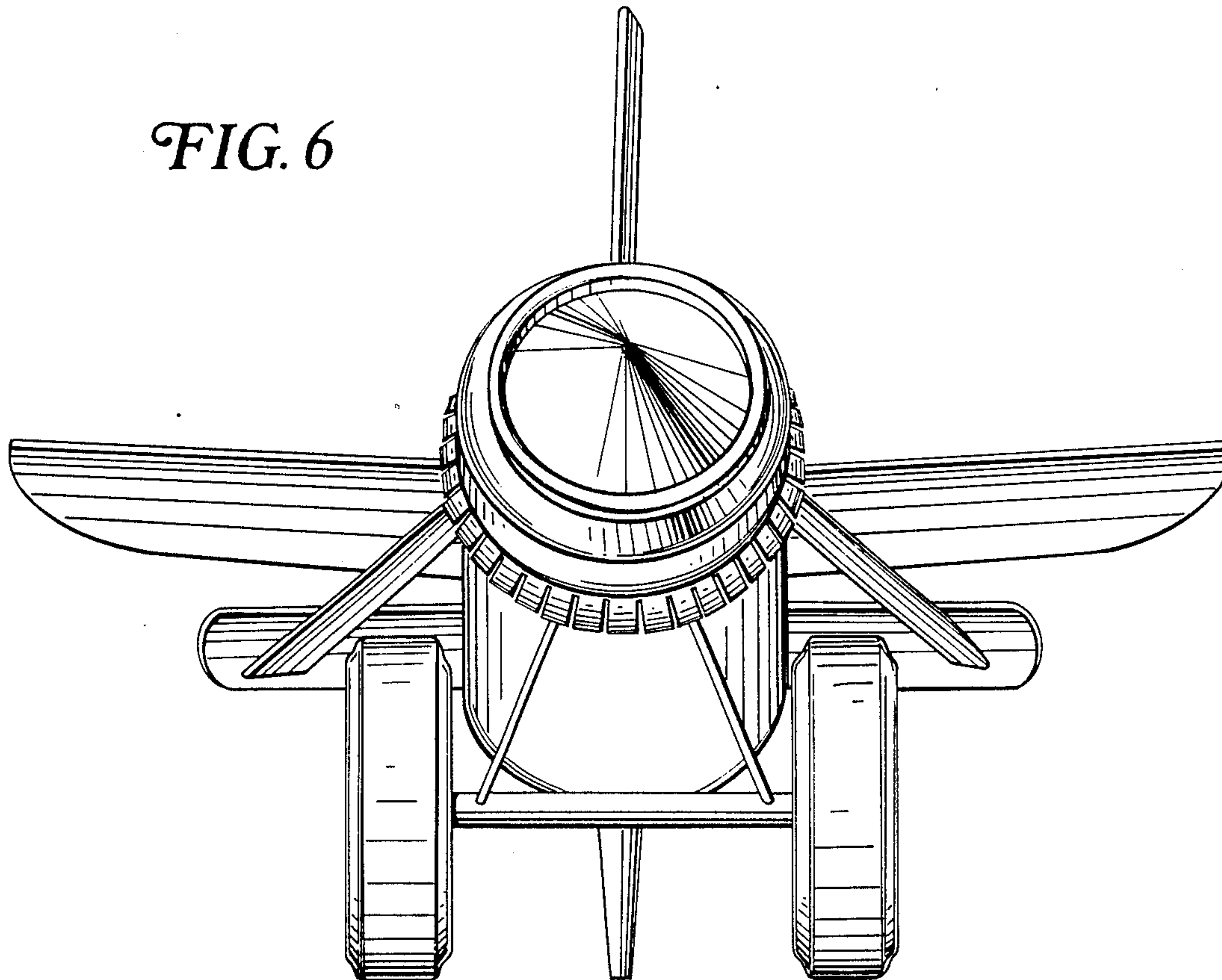


FIG. 7

