

[54] **GOLF PUTTING PRACTICE DEVICE**

[75] **Inventor: William J. Maloney, II, East Aurora, N.Y.**

[73] **Assignee: The Quaker Oats Company, Chicago, Ill.**

[**] **Term: 14 Years**

[21] **Appl. No.: 70,884**

[22] **Filed: Jul. 8, 1987**

[52] **U.S. Cl. D21/8**

[58] **Field of Search D21/1, 7-8, D21/5, 11; 273/176, 176 AA, 176 FA, 176 FB, 176 H, 56, 176 F, 87 B, 128, 128 B, 178 R, 179 R, 179 A, 179 B, 179 C**

[56] **References Cited**

U.S. PATENT DOCUMENTS

D. 273,126	3/1984	Turza et al.	D21/8
3,810,632	5/1974	Brandell	273/179 A
3,854,728	12/1974	Brandell	273/179 A
4,055,349	10/1977	Hunt et al.	273/179 A

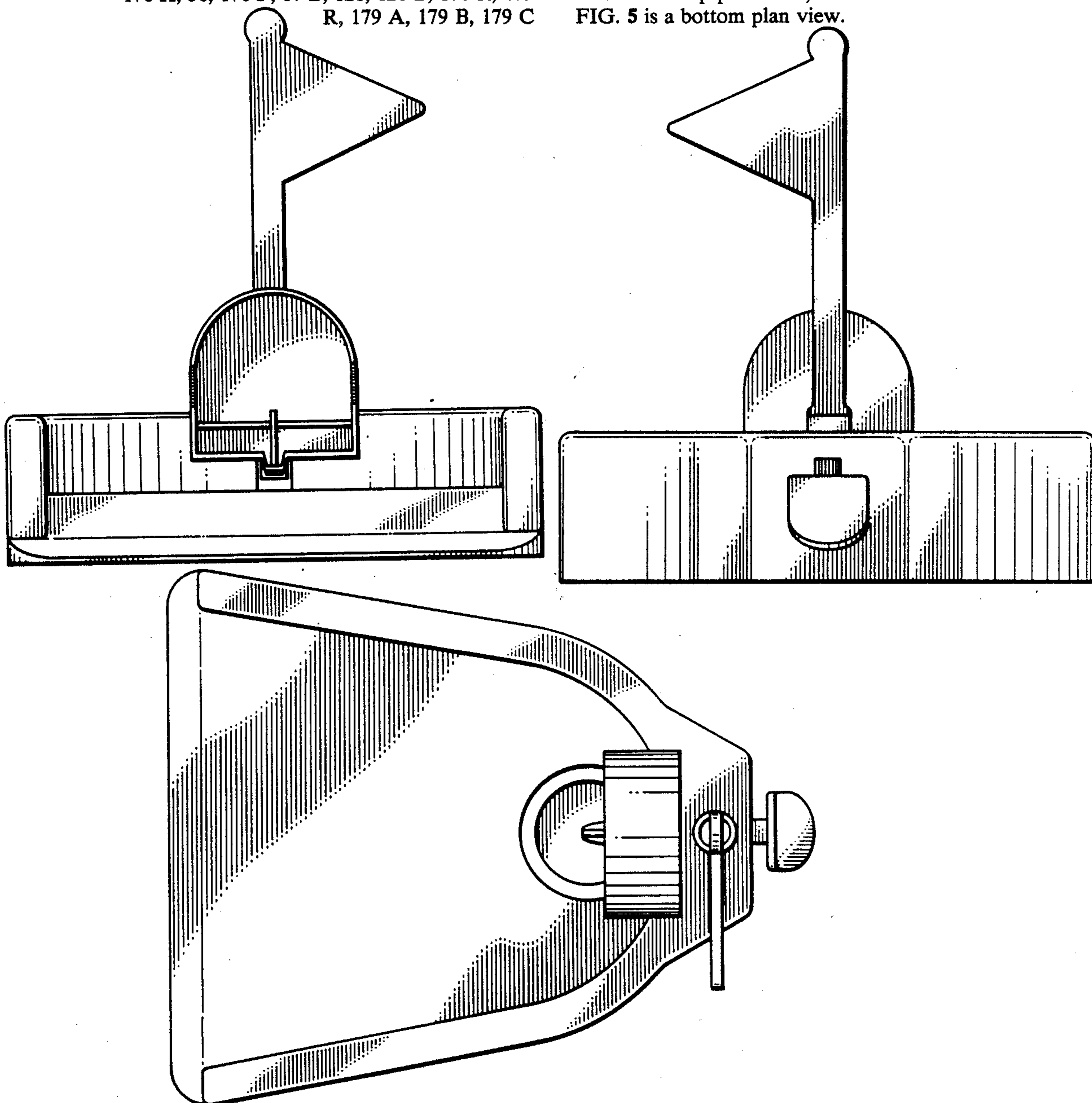
Primary Examiner—A. Hugo Word
Assistant Examiner—R. T. Seifert
Attorney, Agent, or Firm—Cumpston & Shaw

[57] **CLAIM**

The ornamental design for a golf putting practice device, as shown and described.

DESCRIPTION

FIG. 1 is a front elevational view of a golf putting practice device showing my new design;
 FIG. 2 is a right side elevational view, the opposite side being a mirror image;
 FIG. 3 is a rear elevational view;
 FIG. 4 is a top plan view;
 FIG. 5 is a bottom plan view.



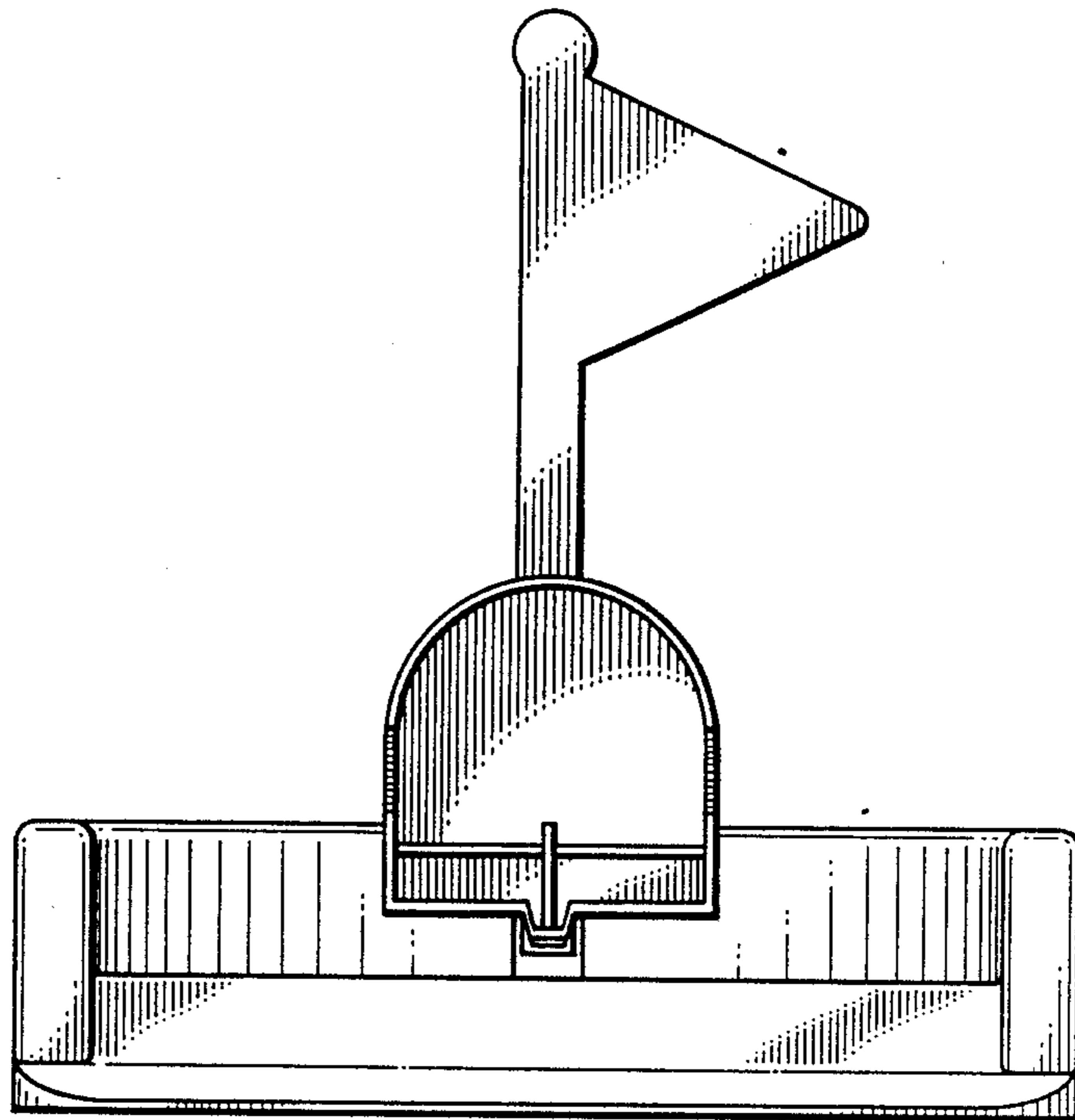


FIG. 1

FIG. 2

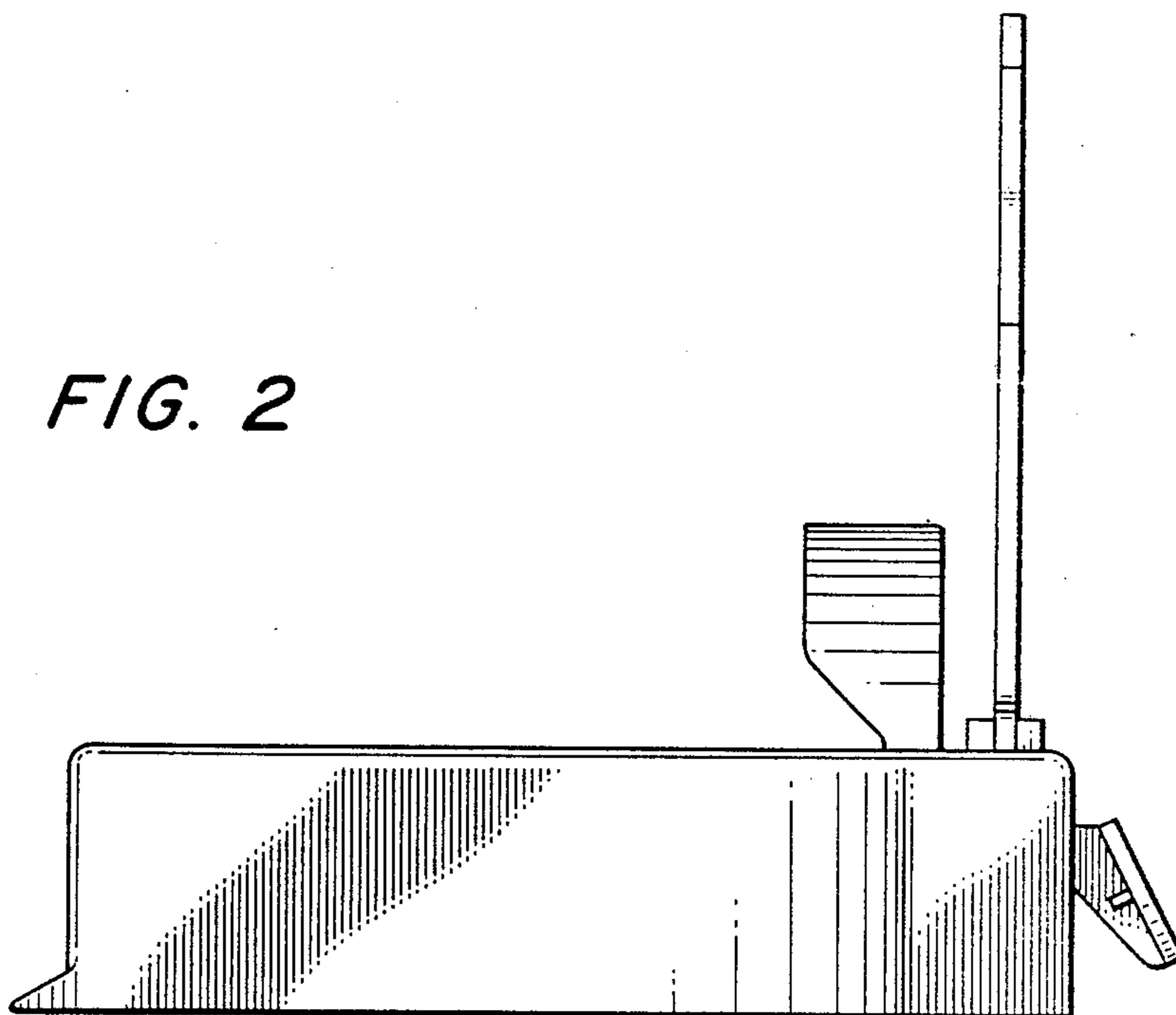


FIG. 3

