

[54] MAGAZINE BINDER

[76] Inventor: Charles A. Beck, 2815 Monterey Ave., Costa Mesa, Calif. 91626

[**] Term: 14 Years

[21] Appl. No.: 201,617

[22] Filed: Jun. 2, 1988

[52] U.S. Cl. D19/32

[58] Field of Search D19/26, 27, 1, 2, 6, D19/32, 33, 34, 28, 29, 81, 30, 31; 281/47, 19.1, 21.1, 43, 50, 17; 211/40, 41, 47, 48, 11

[56] References Cited

U.S. PATENT DOCUMENTS

| | | | |
|------------|---------|-----------------------|------------|
| D. 138,131 | 6/1944 | Aranoff et al. . | |
| 848,245 | 3/1907 | Horwitz . | |
| 3,252,462 | 5/1966 | Quarton et al. | D19/26 X |
| 3,353,844 | 11/1967 | Staats | 281/19.1 |
| 3,570,071 | 3/1971 | Wardell | 281/21.1 X |
| 3,909,141 | 9/1975 | Staats | 281/17 X |
| 4,138,143 | 2/1979 | Lawes . | |
| 4,306,736 | 12/1981 | Cournover et al. | 281/43 |
| 4,426,007 | 1/1984 | Beleckis et al. . | |
| 4,561,623 | 12/1985 | Shepherd et al. . | |

FOREIGN PATENT DOCUMENTS

| | | |
|---------|---------|------------------------|
| 2011111 | 7/1971 | Fed. Rep. of Germany . |
| 1550348 | 12/1968 | France . |

Primary Examiner—Wallace R. Burke
Assistant Examiner—Pamela J. Schmidt
Attorney, Agent, or Firm—F. Eugene Logan

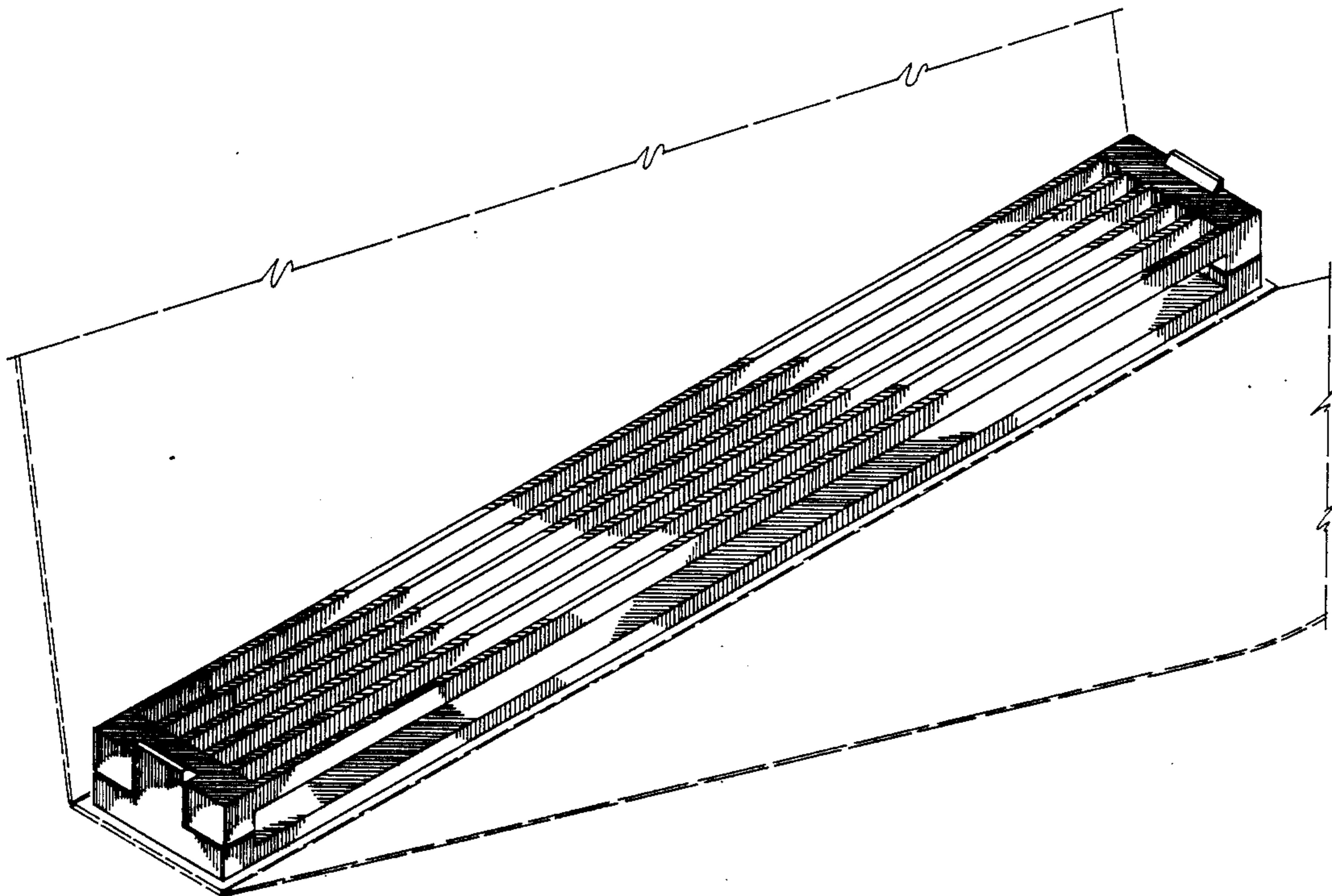
[57] CLAIM

The ornamental design for a magazine binder, as shown and described.

DESCRIPTION

FIG. 1 is an enlarged perspective view of a magazine binder showing my new design; FIG. 2 is a top plan view of the grid part of FIG. 1; FIG. 3 is a side elevational view thereof, the undisclosed side being the same; FIG. 4 is an end elevational view thereof, the undisclosed end being the same; FIG. 5 is a bottom plan view thereof; FIG. 6 is a top plan view of the base part of FIG. 1; FIG. 7 is a side elevational view the undisclosed side being the same; FIG. 8 is an end elevational view thereof, the undisclosed end being the same; and FIG. 9 is a bottom plan view thereof.

The broken lines shown in FIG. 1 are for illustrative purpose only and form no part of the claimed design. The grid and base parts of the binder shown in FIGS. 2 through 9 appear separately for purposes of clarity and illustration only.



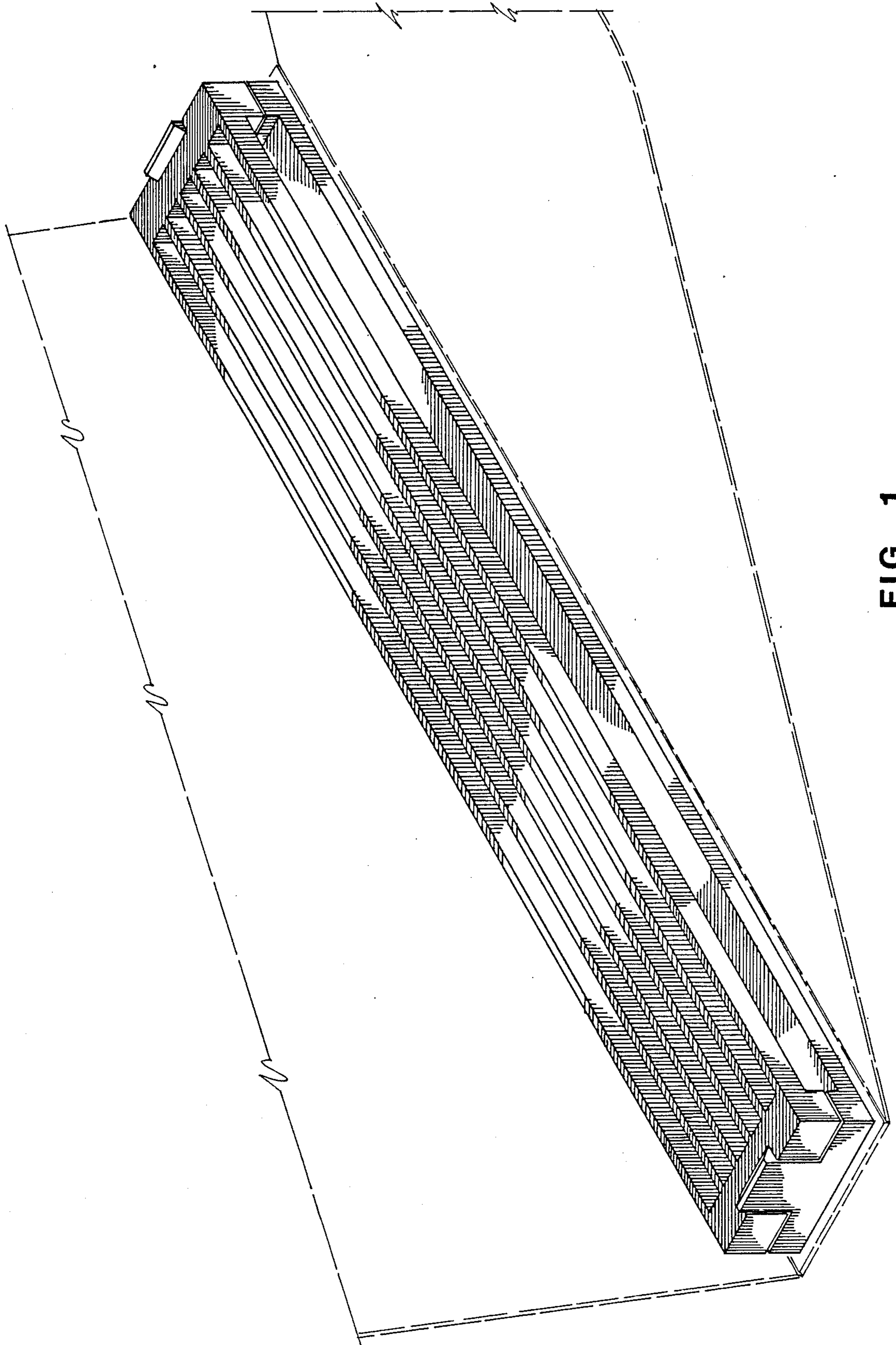


FIG. 1

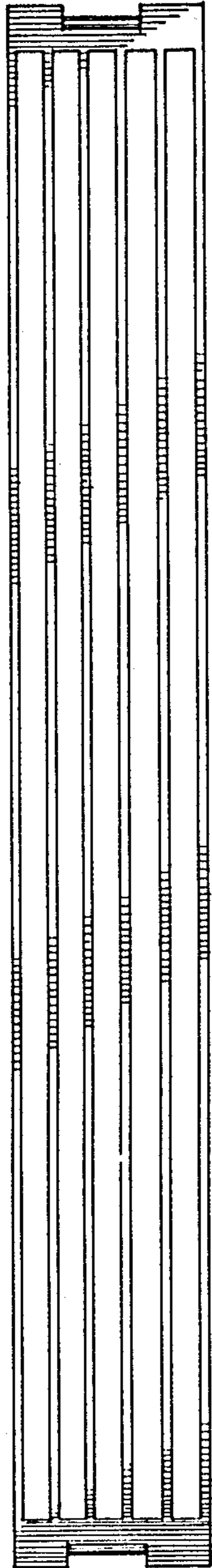


FIG. 2



FIG. 3



FIG. 5



FIG. 4

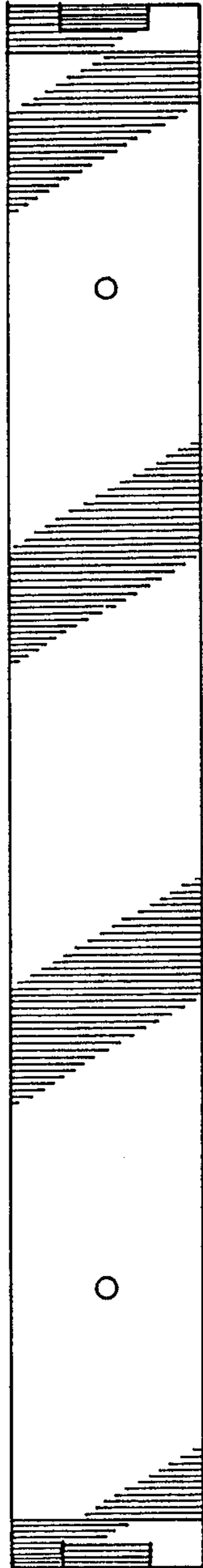


FIG. 6

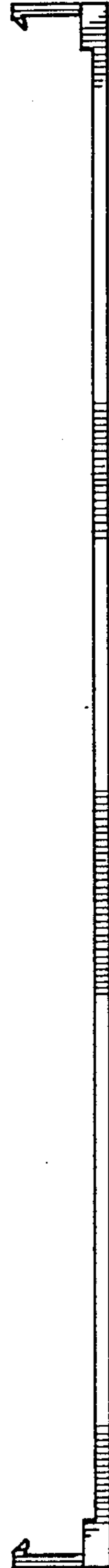


FIG. 7

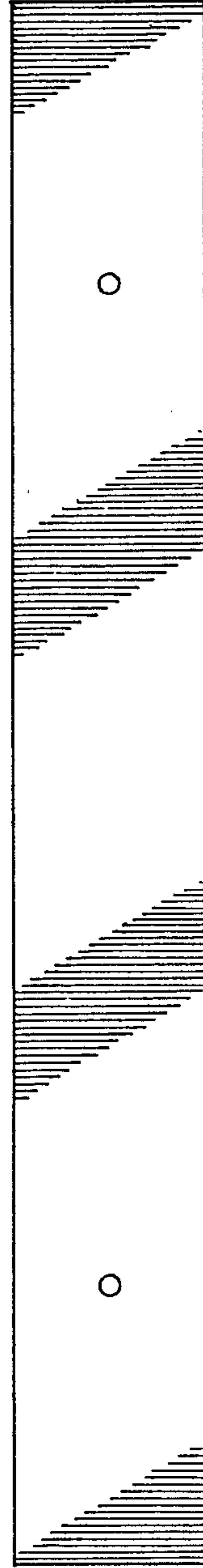


FIG. 9



FIG. 8