

[54] **TONER CARTRIDGE**

[75] **Inventor: Philip N. Smith, Valencia, Calif.**

[73] **Assignee: Dataproducts Corporation,  
Woodland Hills, Calif.**

[\*\*] **Term: 14 Years**

[21] **Appl. No.: 278,935**

[22] **Filed: Dec. 2, 1988**

[52] **U.S. Cl. .... D18/43**

[58] **Field of Search ..... D18/22, 43; D9/306,  
D9/373, 385, 390, 393, 399, 415, 418, 424, 425,  
432; 206/316, 446, 461, 474, 495, 532, 601, 628,  
631; 222/DIG. 1, 166, 325; 355/200, 245, 260**

[56] **References Cited**

**U.S. PATENT DOCUMENTS**

D. 298,258 10/1988 Masaki ..... D18/43  
4,614,286 9/1986 Yamaguchi et al. .... 222/DIG. 1

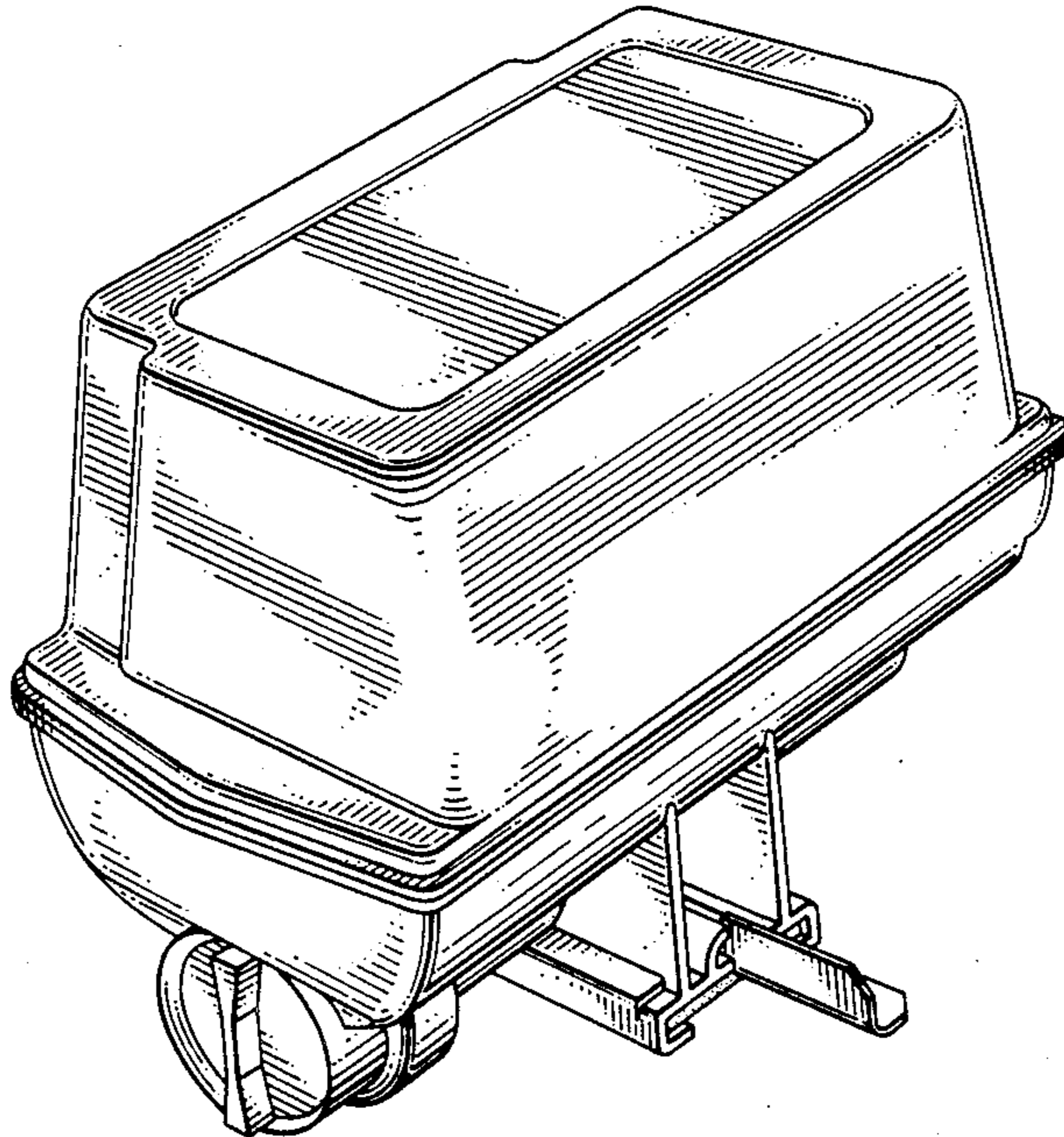
*Primary Examiner*—Nelson C. Holtje  
*Assistant Examiner*—Caron D. Veynar  
*Attorney, Agent, or Firm*—Spensley Horn Jubas &  
Lubitz

[57] **CLAIM**

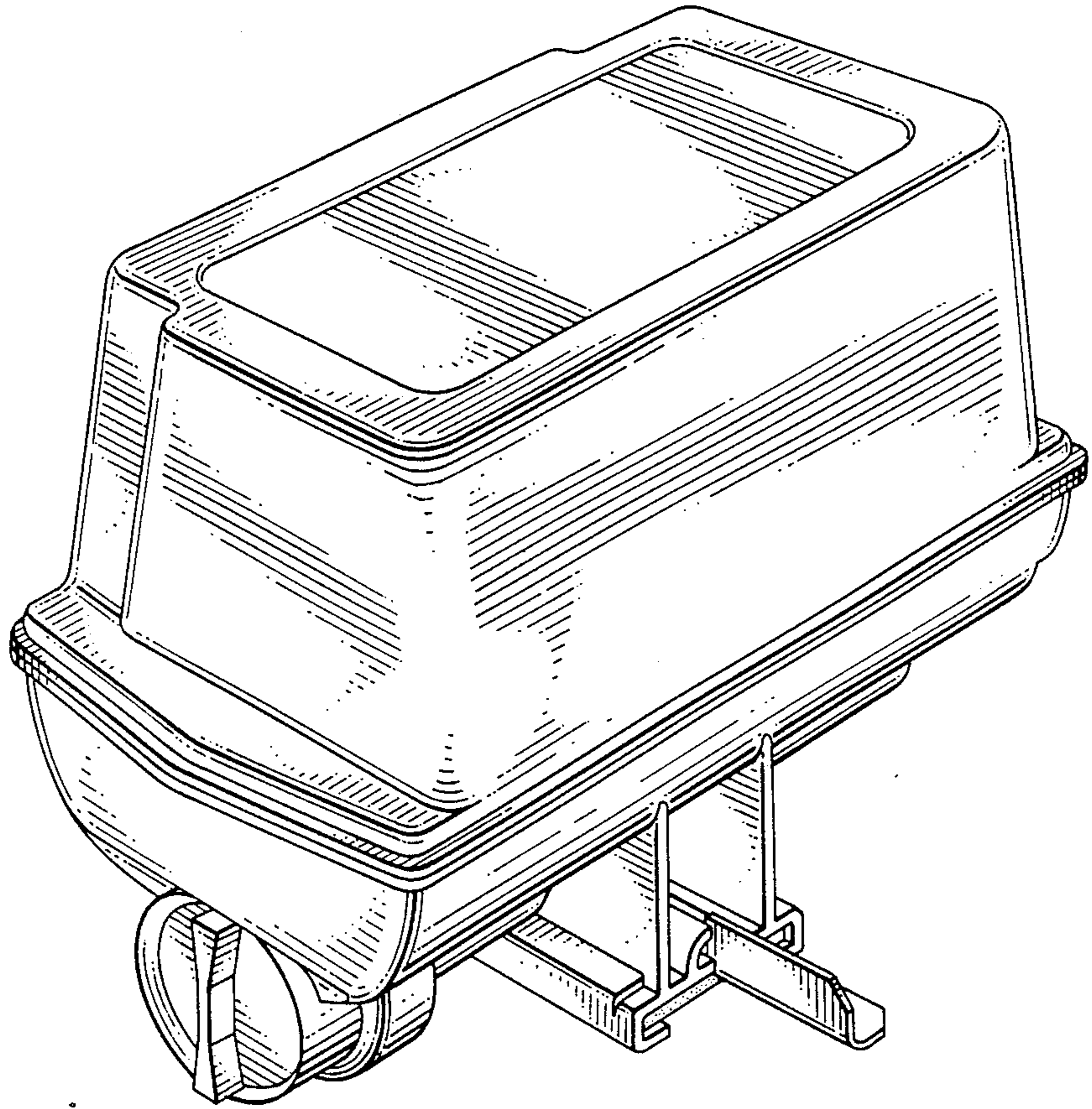
The ornamental design for a toner cartridge, as shown.

**DESCRIPTION**

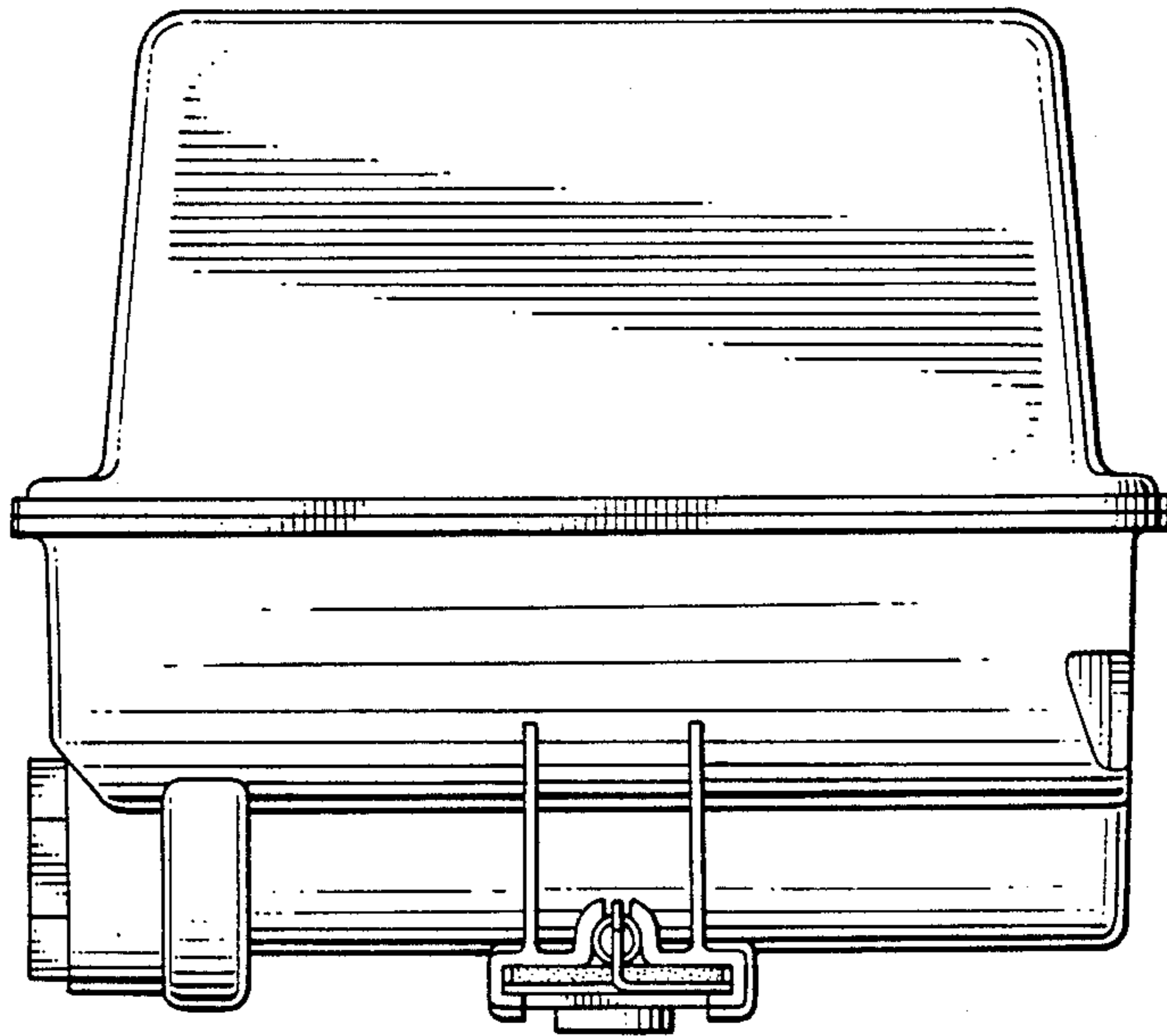
FIG. 1 is a left, front perspective view of a toner cartridge showing my new design;  
FIG. 2 is a front elevational view thereof;  
FIG. 3 is a rear elevational view thereof;  
FIG. 4 is a right side elevational view thereof;  
FIG. 5 is a left side elevational view thereof;  
FIG. 6 is a top plan view thereof; and  
FIG. 7 is a bottom plan view thereof.



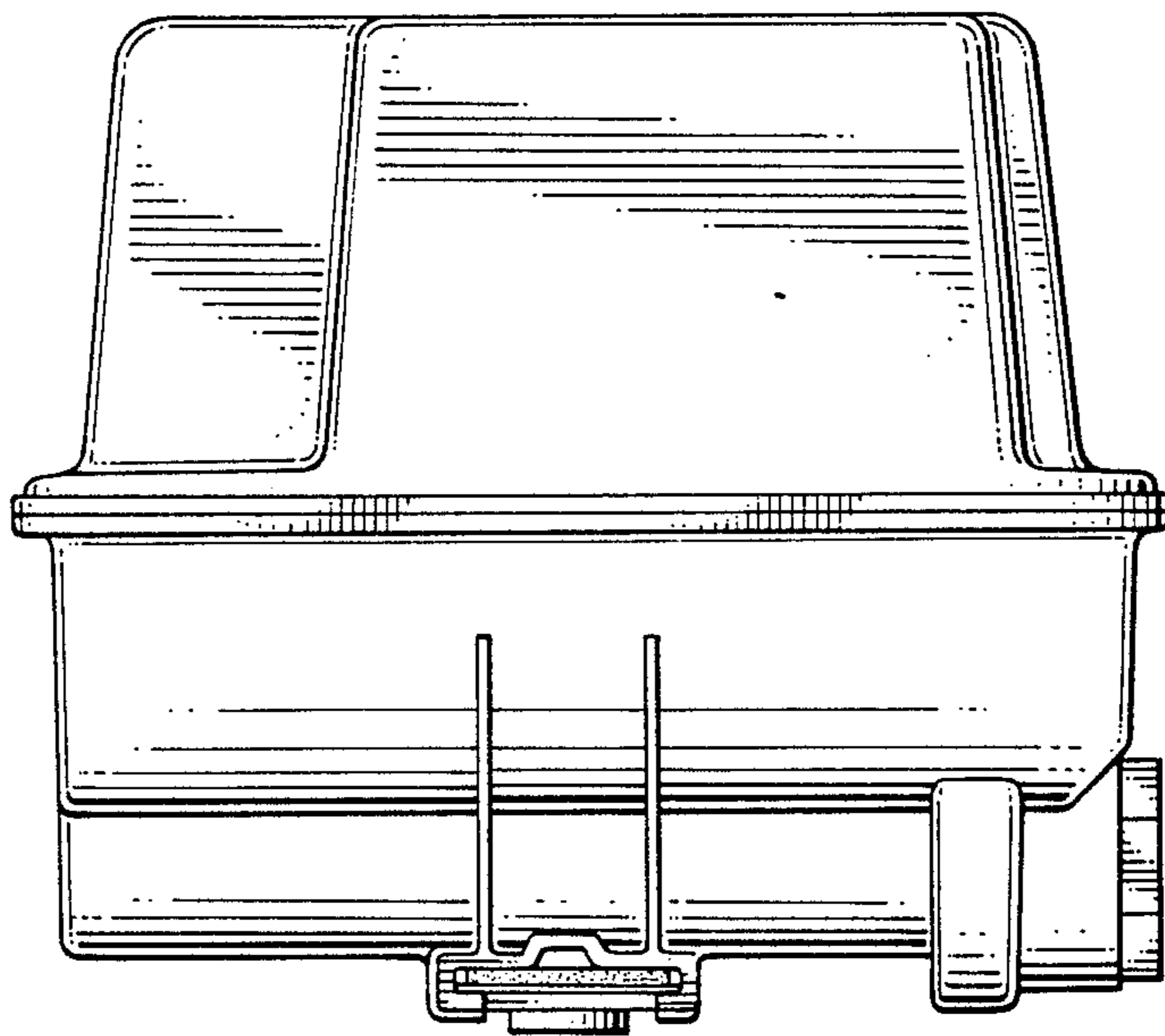
*FIG. 1*



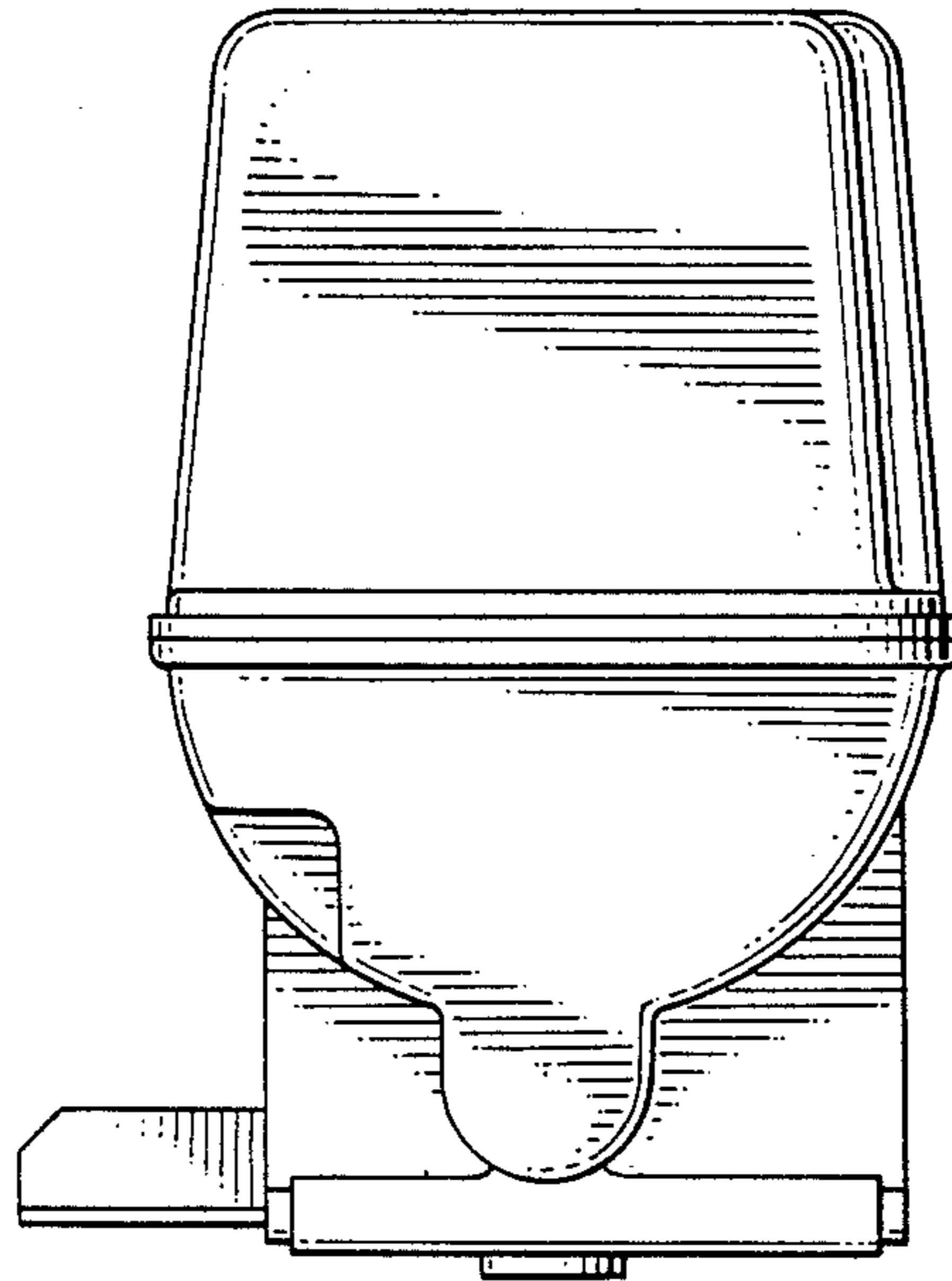
*Fig. 2*



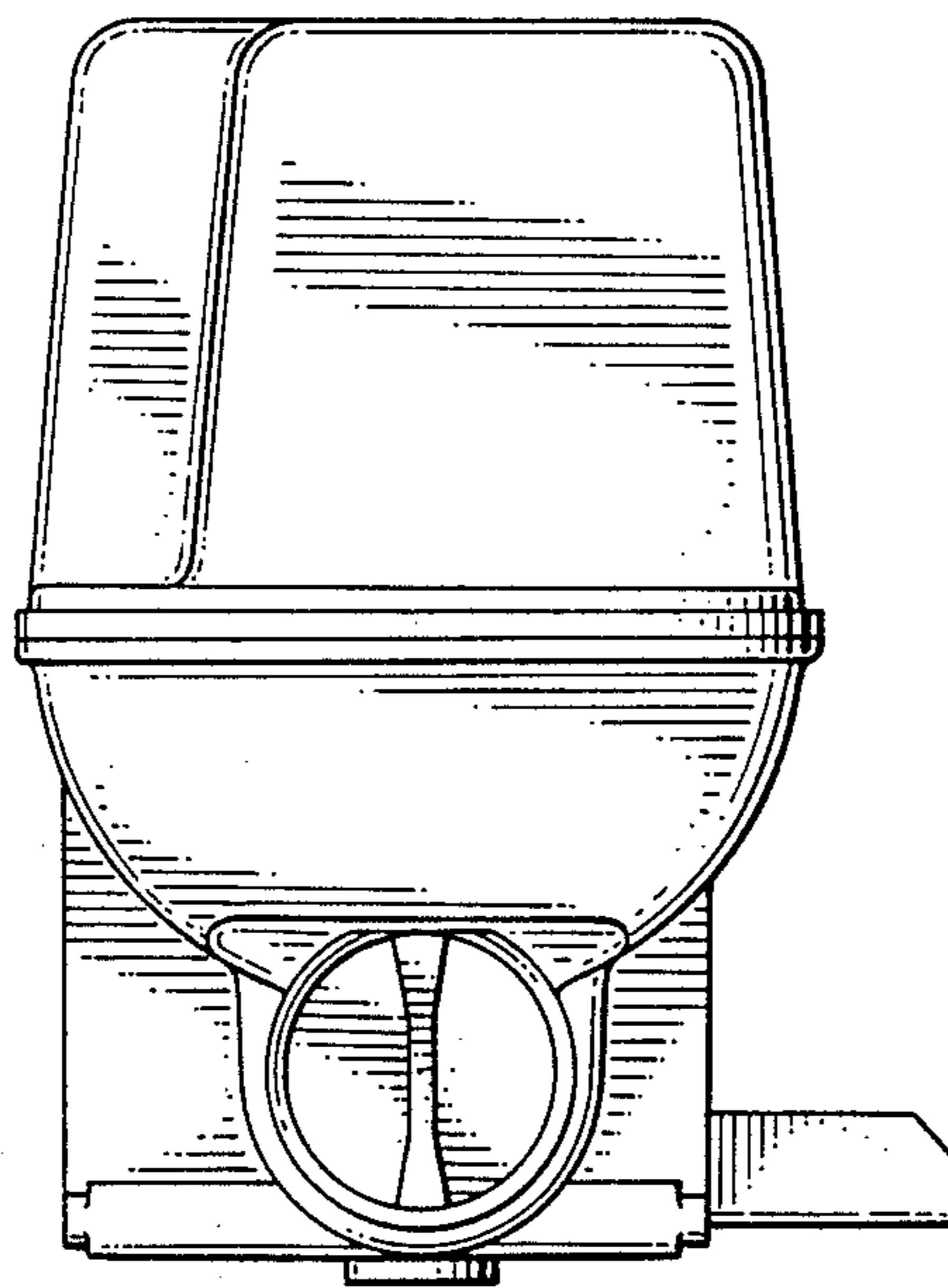
*Fig. 3*



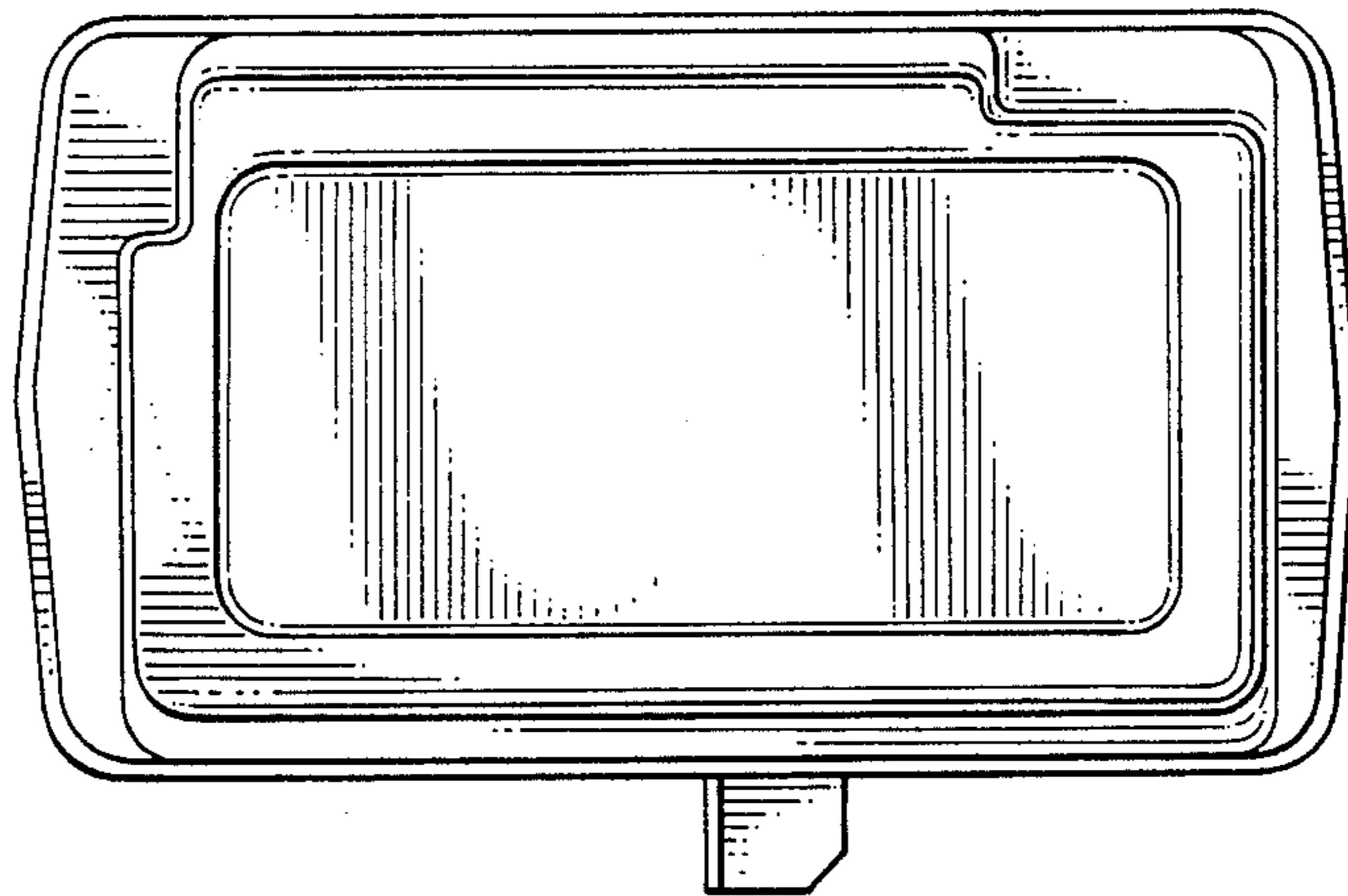
*Fig. 4*



*Fig. 5*



*FIG. 6*



*FIG. 7*

