

[54] **ELECTRONIC BABY GRAND PIANO**
[75] **Inventor: Jung H. Dong, Seoul, Rep. of Korea**
[73] **Assignee: Samick Music Corporation, La Puente, Calif.**
[**] **Term: 14 Years**
[21] **Appl. No.: 214,376**
[22] **Filed: Jul. 1, 1988**
[52] **U.S. Cl. D17/8**
[58] **Field of Search D17/1, 2, 5, 7, 8, 9; 84/172, 176, 177, 180, DIG. 17**

1,642,356 9/1927 Brey 84/177

OTHER PUBLICATIONS

Lyon & Healy Pianos, 1924, p. 17.
The Music Trades, Oct. 1985, p. 82.

Primary Examiner—Bernard Ansher
Assistant Examiner—Adir Aronovich
Attorney, Agent, or Firm—Christie, Parker & Hale

CLAIM

[57] The ornamental design for an electronic baby grand piano, as shown.

DESCRIPTION

FIG. 1 is a perspective view of an electronic baby grand piano showing my new design;
FIG. 2 is a top plan view thereof;
FIG. 3 is a front elevation thereof;
FIG. 4 is a left side elevational view thereof;
FIG. 5 is a right side elevational view thereof; and
FIG. 6 is a rear elevation thereof.

[56] **References Cited**

U.S. PATENT DOCUMENTS

D. 56,294	9/1920	McConnell	D17/8
D. 225,374	12/1972	Barket et al.	D17/7
D. 256,130	7/1980	Ohta	D17/8
D. 260,528	9/1981	Decker	D17/8

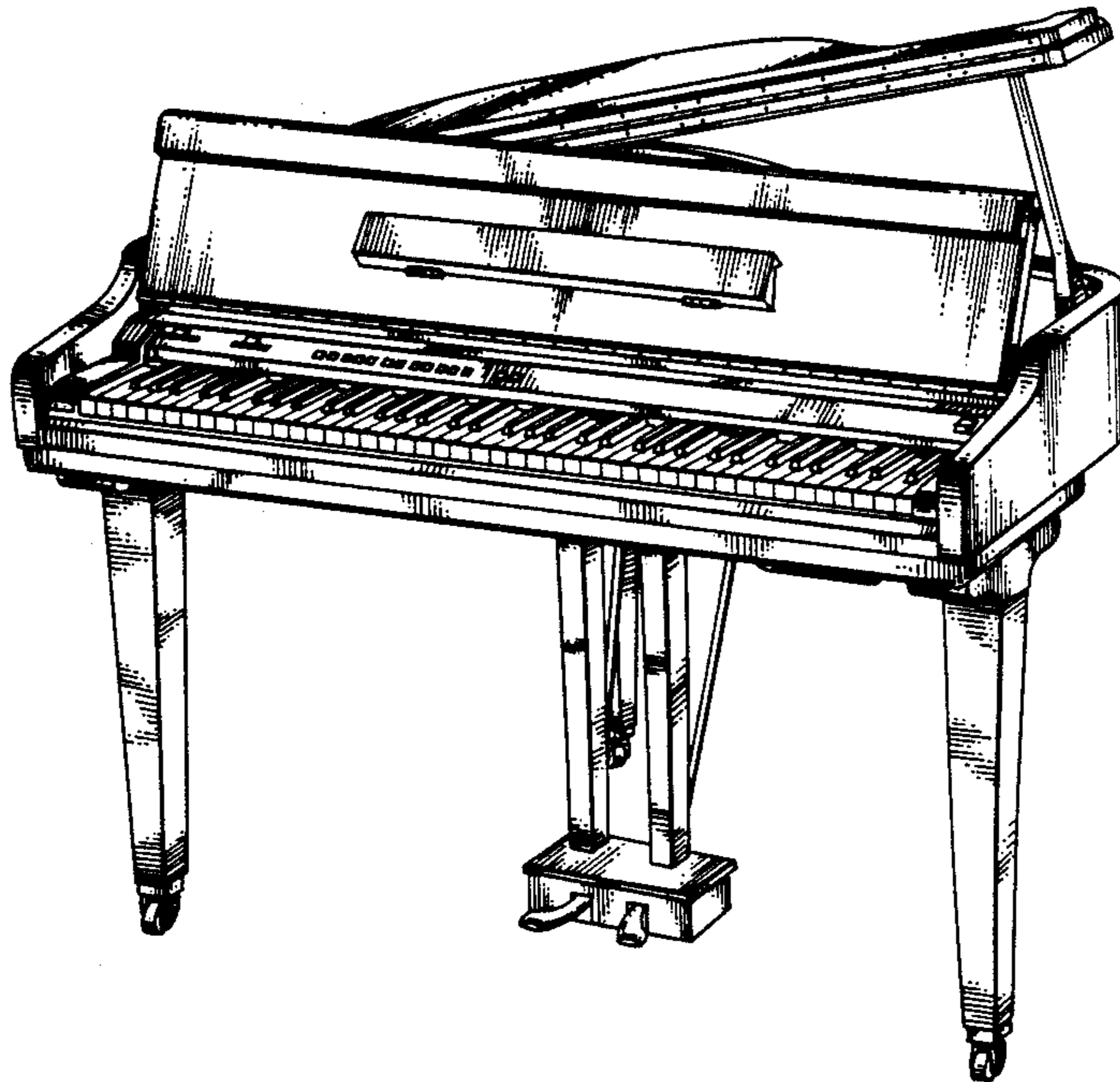
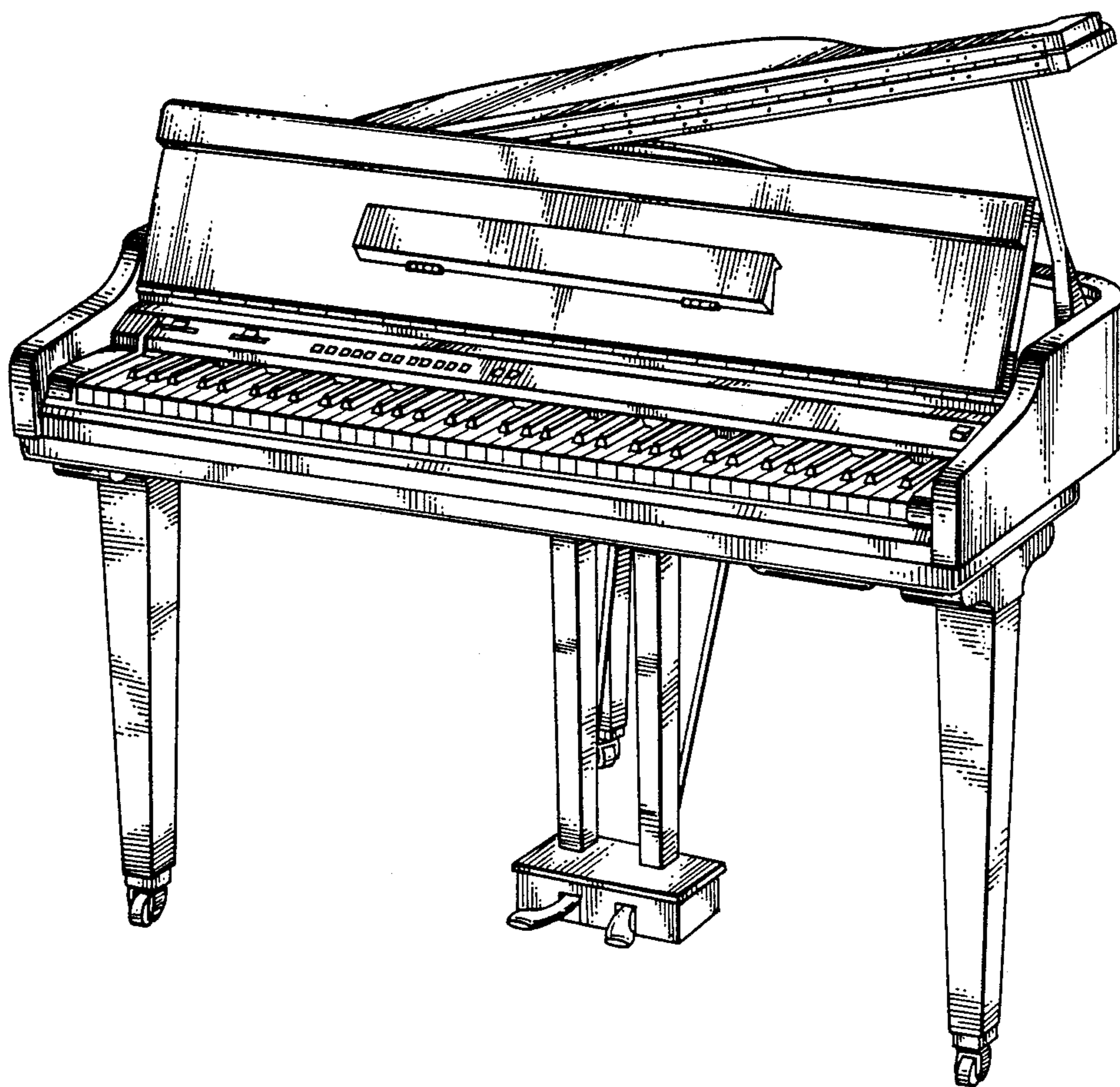
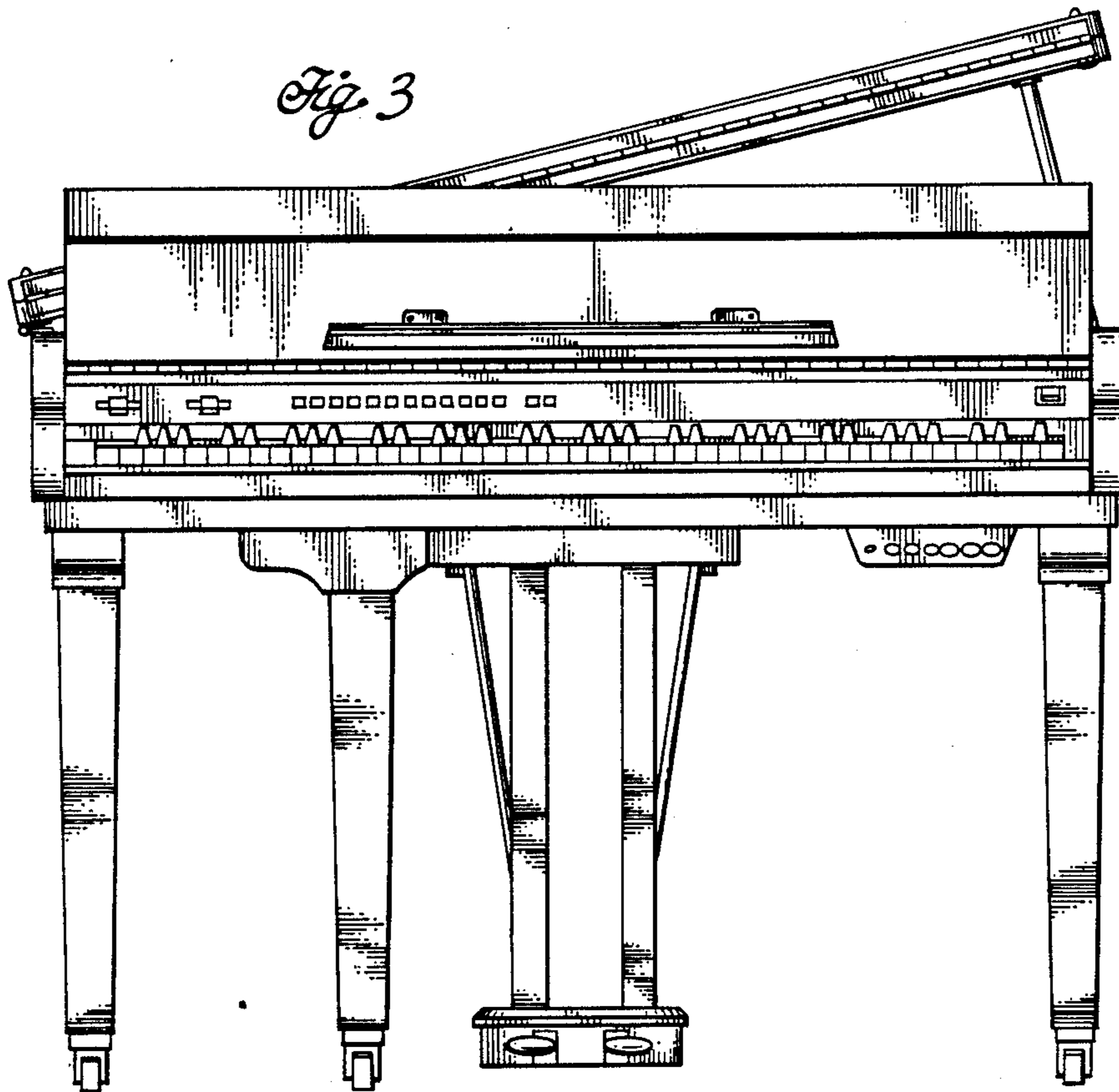
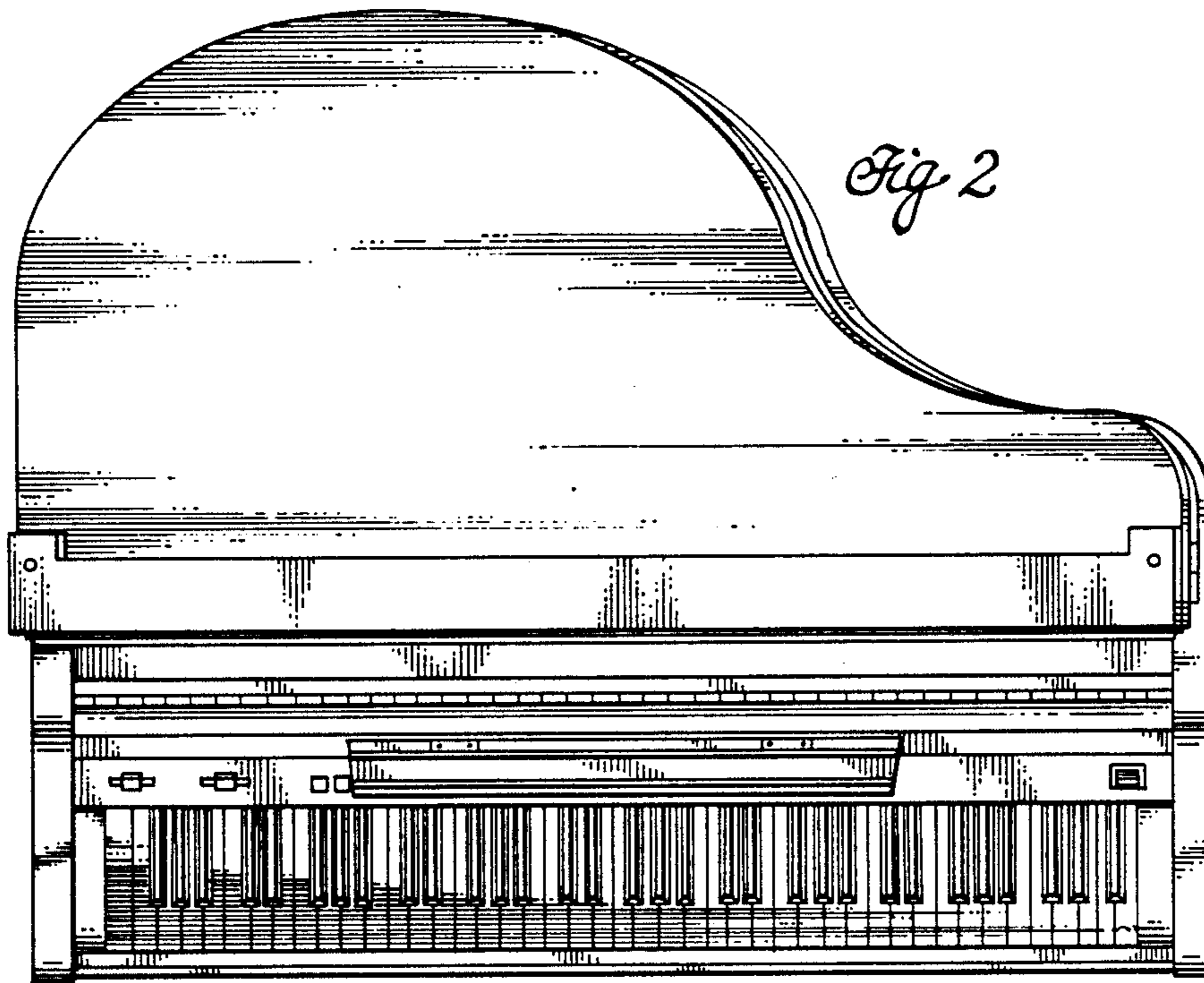


Fig 1





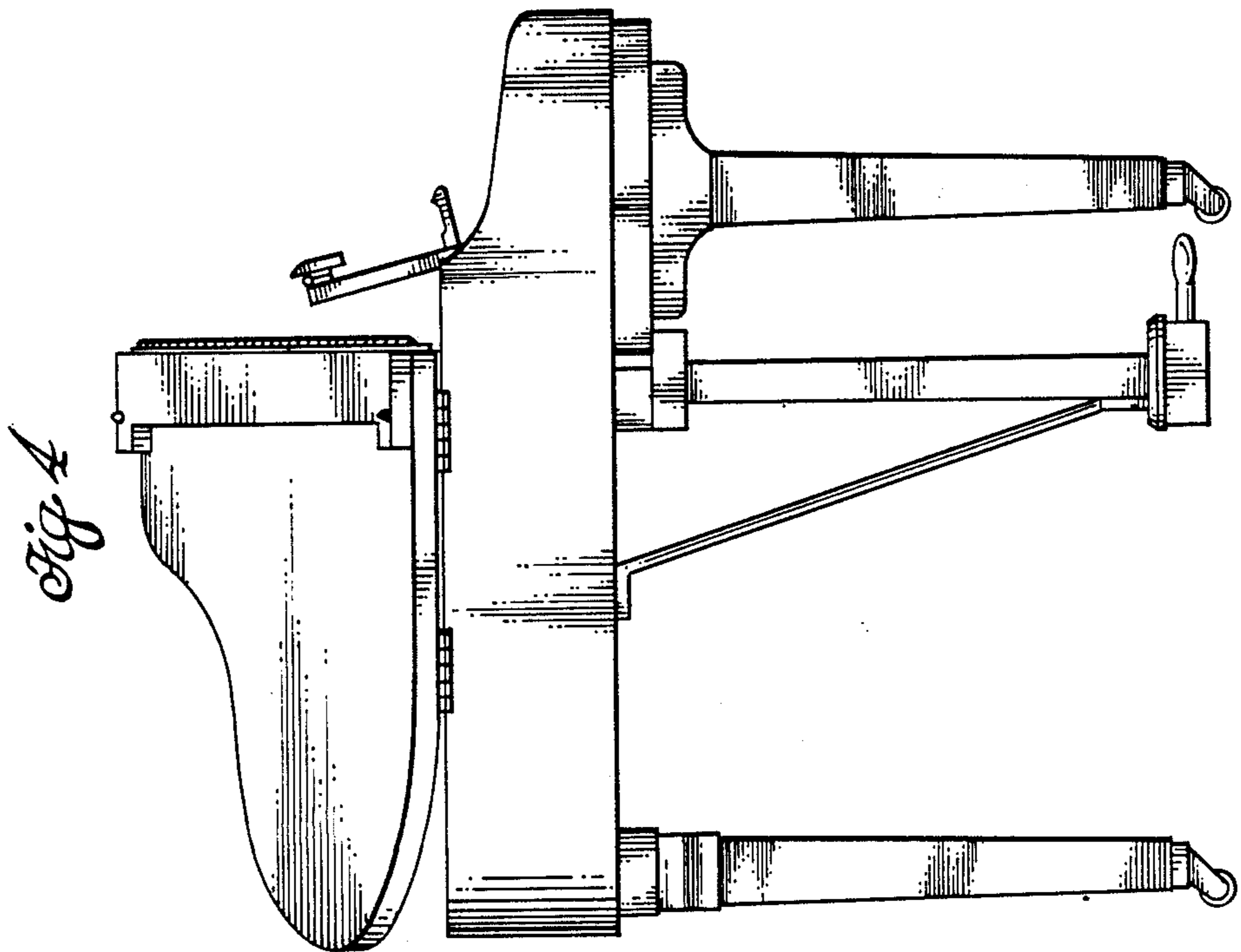
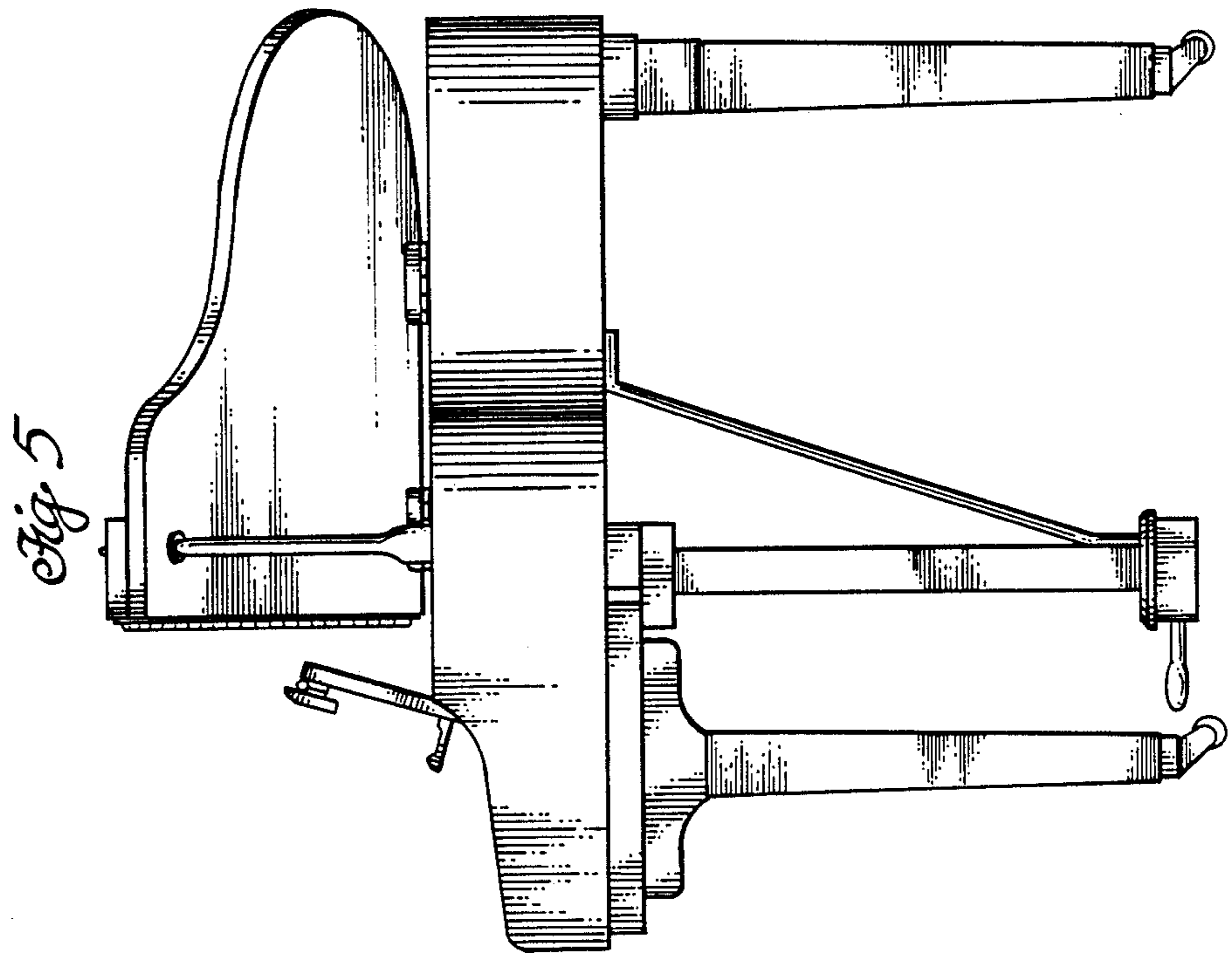


Fig 6

