

[54] TELEVISION CAMERA FOR AN ENDOSCOPE

[75] Inventors: Michio Imada, Kodaira; Nobuyoshi Yazawa; Takeshi Asaka, both of Hachioji, all of Japan

[73] Assignee: Olympus Optical Co., Ltd., Japan

[**] Term: 14 Years

[21] Appl. No.: 51,601

[22] Filed: May 18, 1987

[30] Foreign Application Priority Data

Nov. 20, 1986 [JP] Japan 61-046006

[52] U.S. Cl. D16/202; D16/130; D16/200

[58] Field of Search D16/200, 201, 202, 203, D16/204, 205, 206, 130; 354/288; 352/242; 358/98, 229

[56] References Cited

U.S. PATENT DOCUMENTS

D. 207,513	4/1967	Bjorn	D16/206
D. 276,533	11/1984	Feinbloom	D16/130
D. 286,787	11/1986	Feinbloom	D16/130
4,281,910	8/1981	Takayama	358/98
4,600,940	7/1986	Sluyter	358/98

FOREIGN PATENT DOCUMENTS

60-132471	7/1985	Japan	358/229
-----------	--------	-------------	---------

Primary Examiner—Bernard Ansher

Assistant Examiner—Adir Aronovich

Attorney, Agent, or Firm—Ostrolenk, Faber, Gerb & Soffen

[57] CLAIM

The ornamental design for a television camera for an endoscope, as shown and described.

DESCRIPTION

FIG. 1 is a top, front perspective view of a television camera for an endoscope showing our new design; and FIG. 2 is a bottom, rear perspective view thereof.

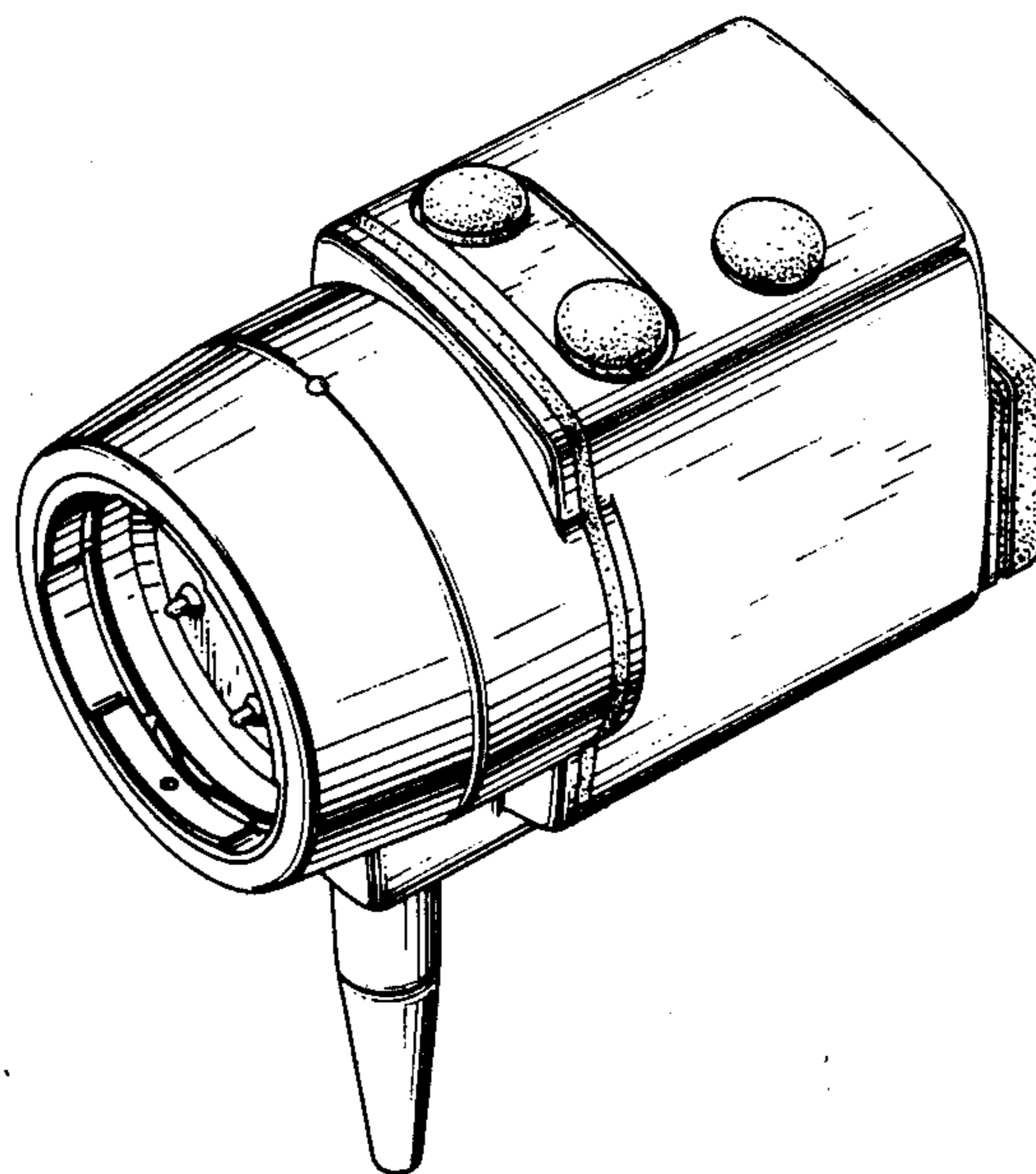


FIG. 1

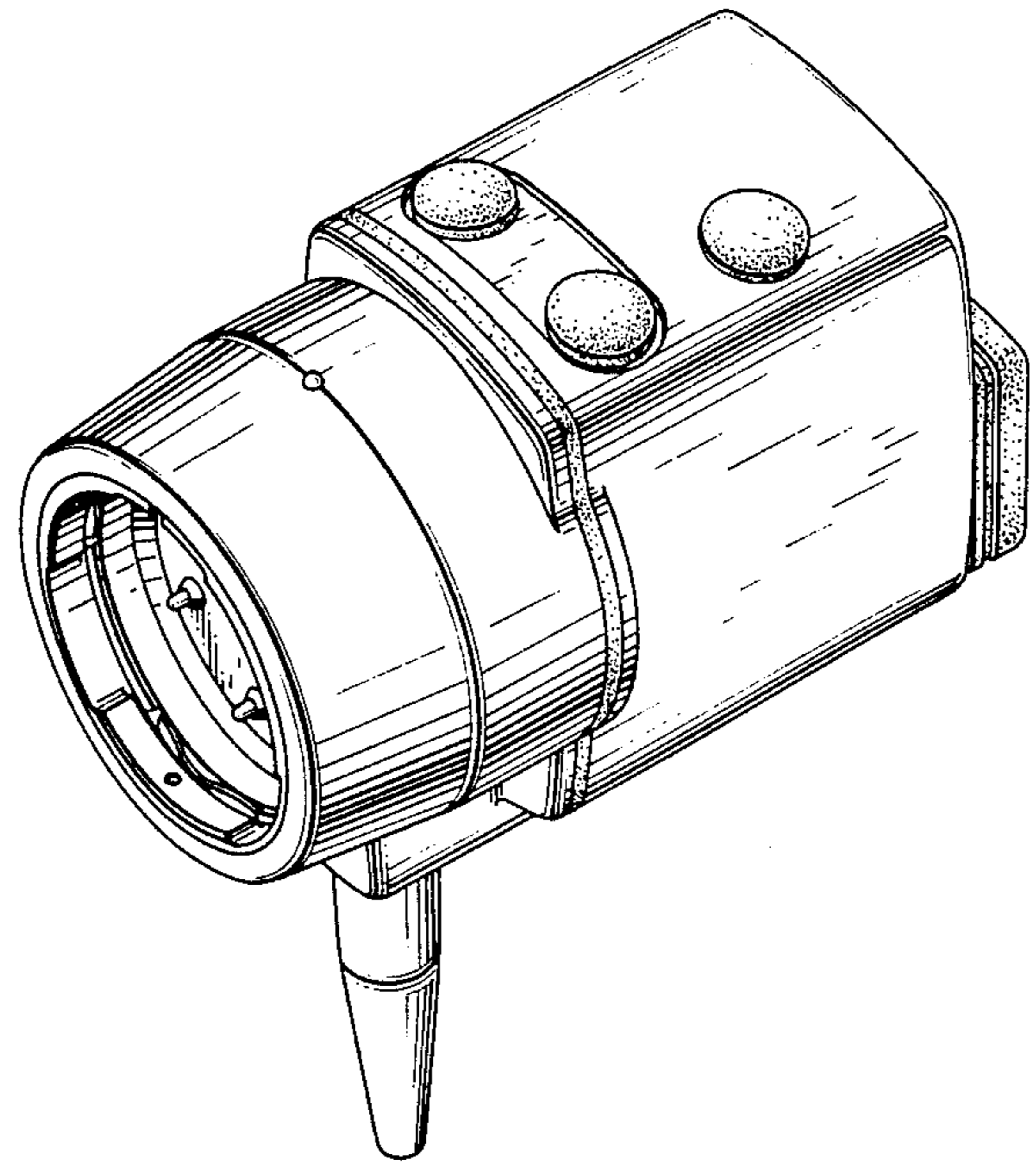


FIG. 2

