

[54] SIGHTING INSTRUMENT FOR RELOCATION OF SITE

[75] Inventor: Carey P. Huston, Tulsa, Okla.  
[73] Assignee: Zebco Corporation, Tulsa, Okla.  
[\*\*] Term: 14 Years

[21] Appl. No.: 225,131

[22] Filed: Jul. 28, 1988

[52] U.S. Cl. .... D16/130; D16/133; D16/135

[58] Field of Search ..... D16/133, 130, 131, 222, D16/220, 227, 61; 33/276, 277, 272; 350/145, 558, 538, 542, 545, 544, 515

[56] References Cited

U.S. PATENT DOCUMENTS

- D. 98,185 1/1936 Reynolds ..... D16/133
- D. 178,309 7/1956 Prentice ..... D16/222 X
- 3,184,854 5/1965 Grasse ..... 33/272

- 3,424,511 1/1969 Ratliff, Jr. .... 350/239
- 3,477,131 11/1969 Warth et al. .... 33/272
- 4,060,908 12/1977 Skallerup ..... 33/275

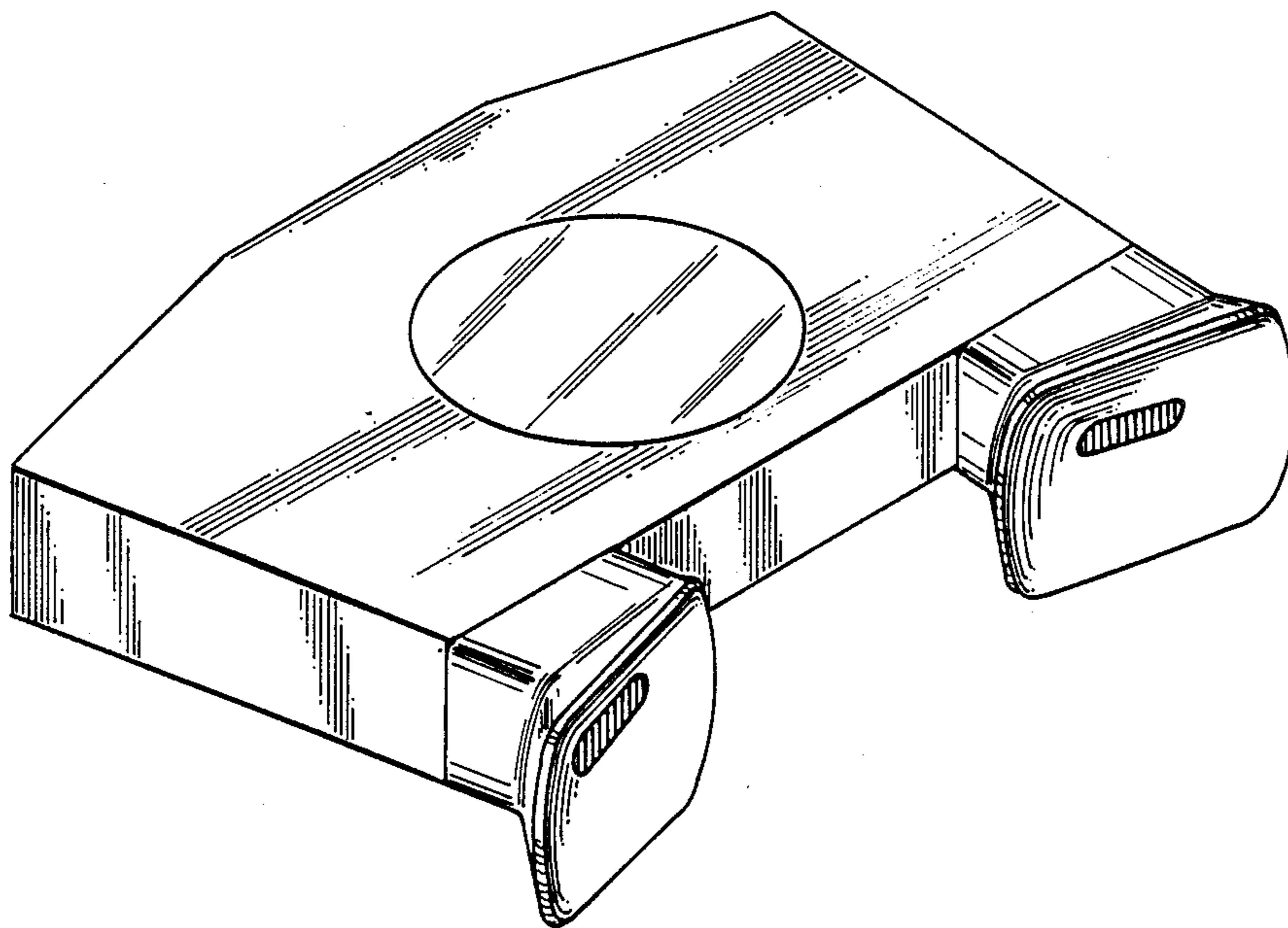
Primary Examiner—A. Hugo Word  
Assistant Examiner—Doris V. Coles  
Attorney, Agent, or Firm—Wood, Phillips, Mason, Recktenwald & VanSanten

[57] CLAIM

The ornamental design for a sighting instrument for relocation of site, as shown and described.

DESCRIPTION

FIG. 1 is a top plan view of a sighting instrument for relocation of site, showing my new design; FIG. 2 is a rear elevational view thereof; FIG. 3 is a front elevational view thereof; FIG. 4 is a side elevational view, the opposite being a mirror thereof; FIG. 5 is a bottom plan view thereof; and FIG. 6 is a perspective view of the top and rear views thereof.



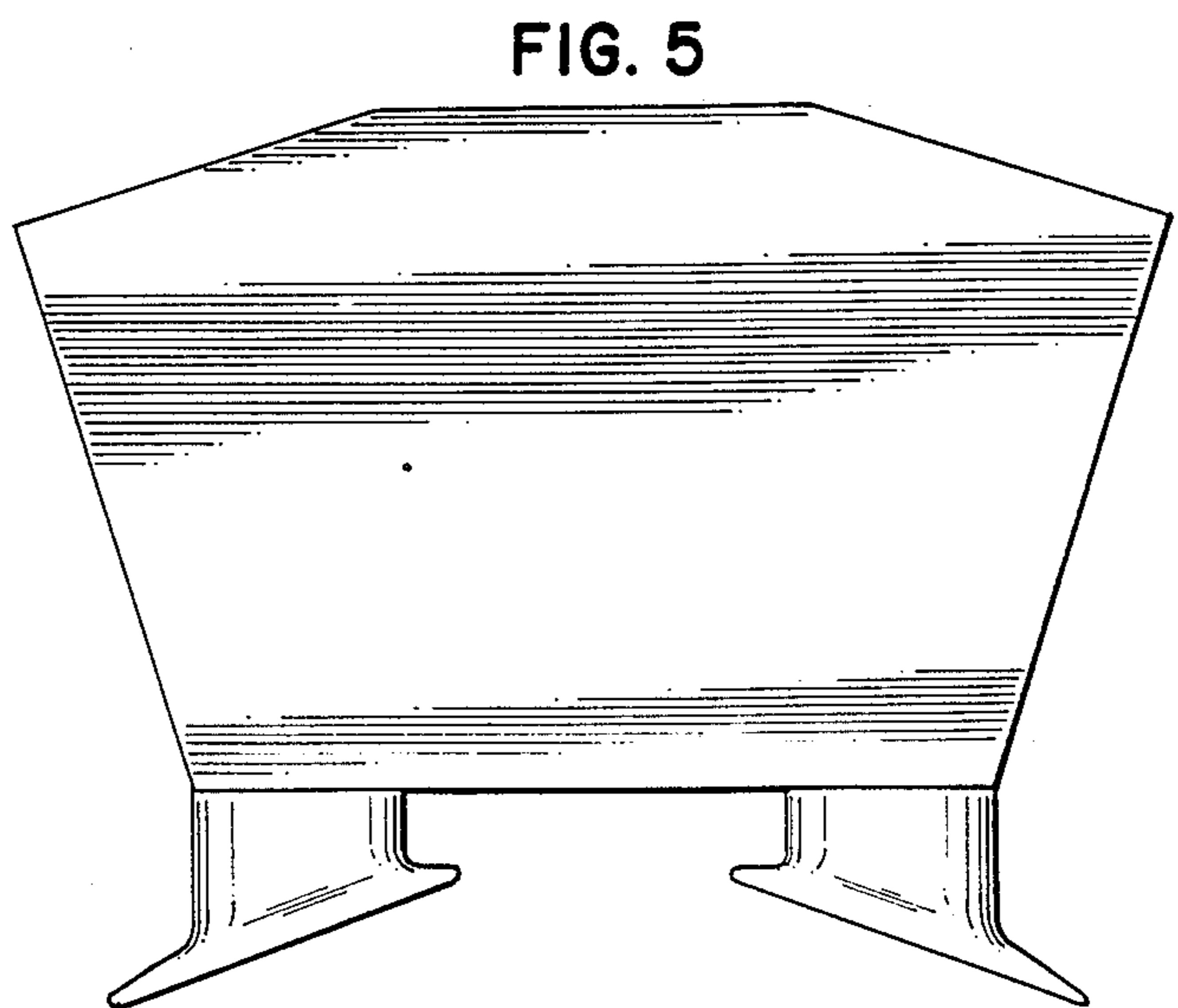
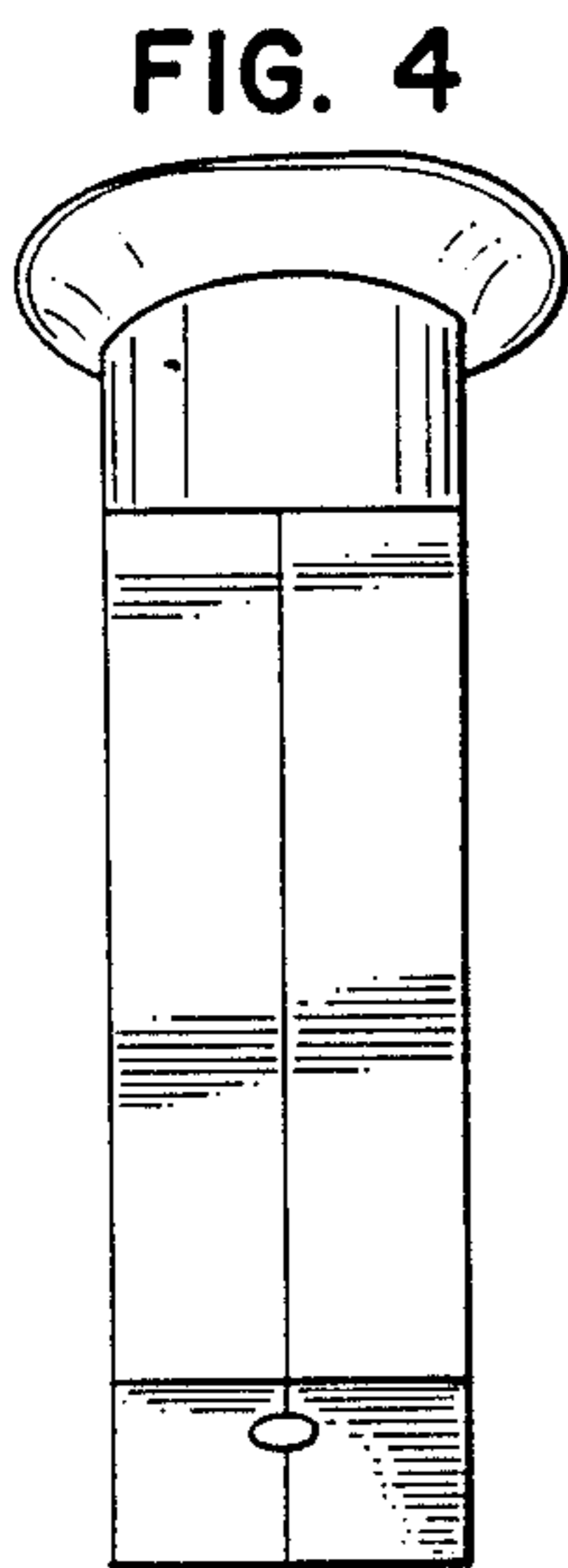
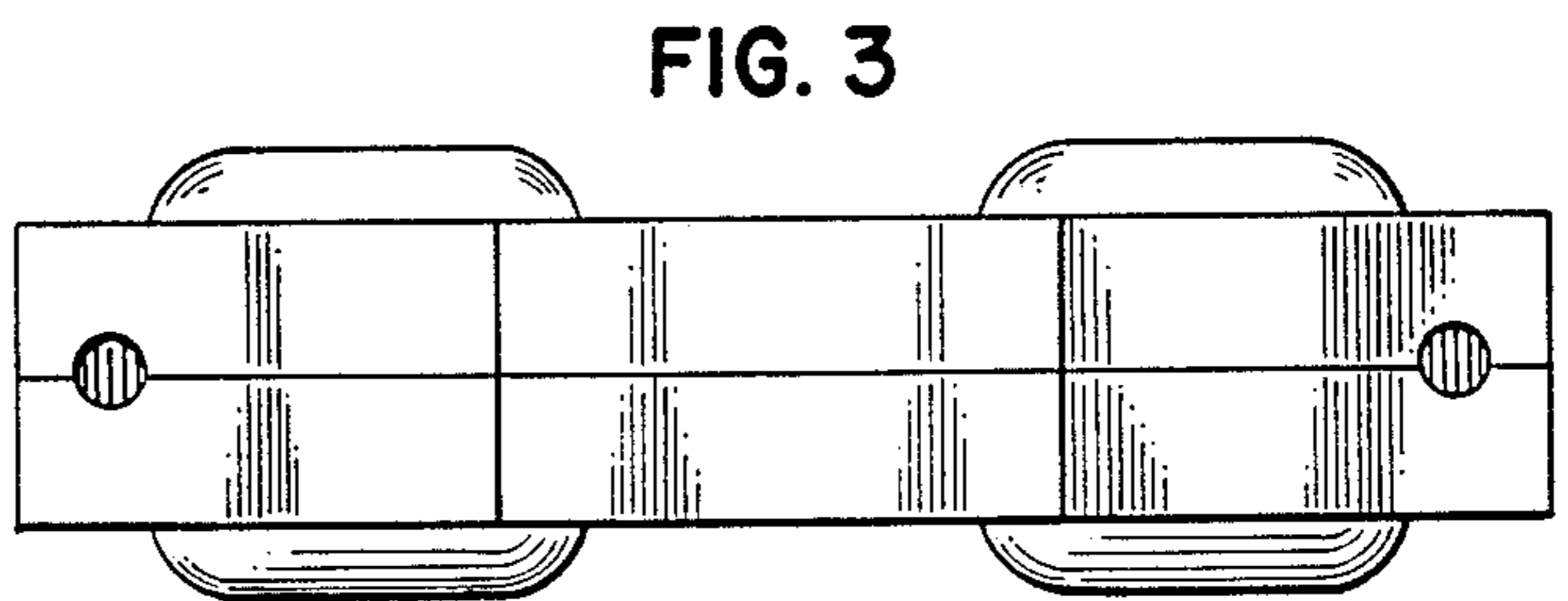
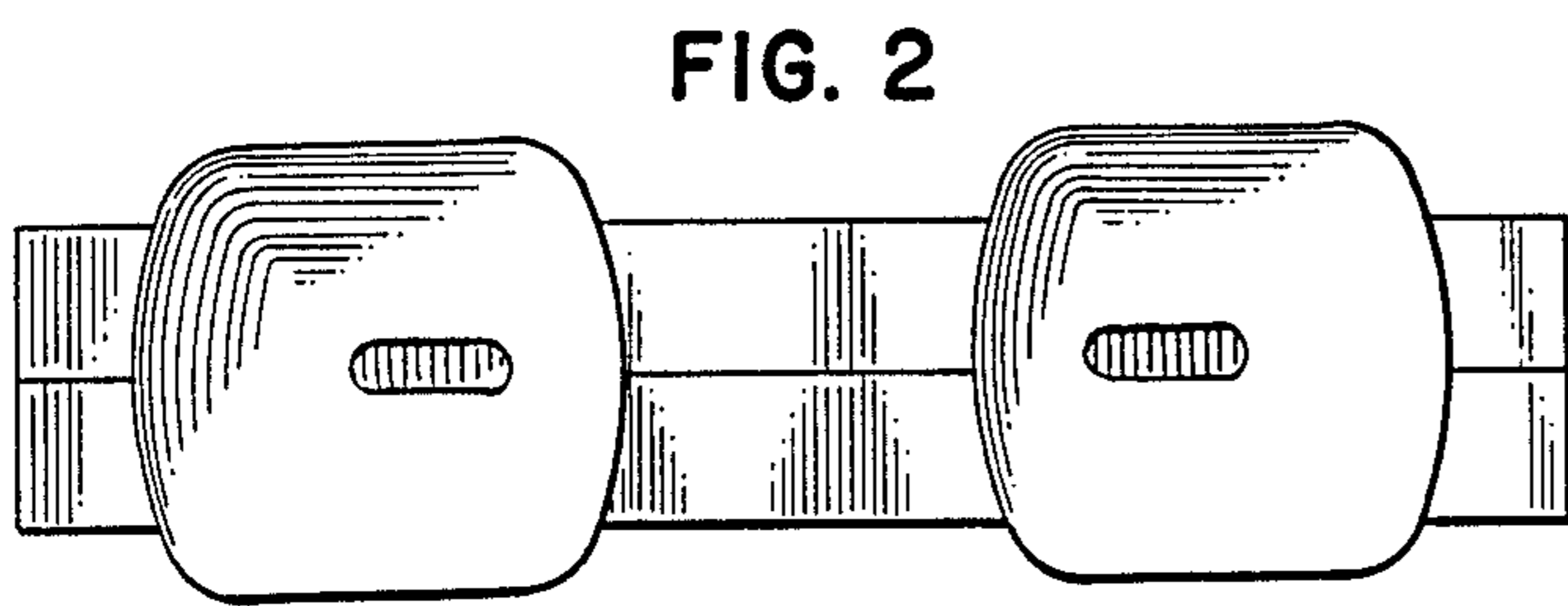
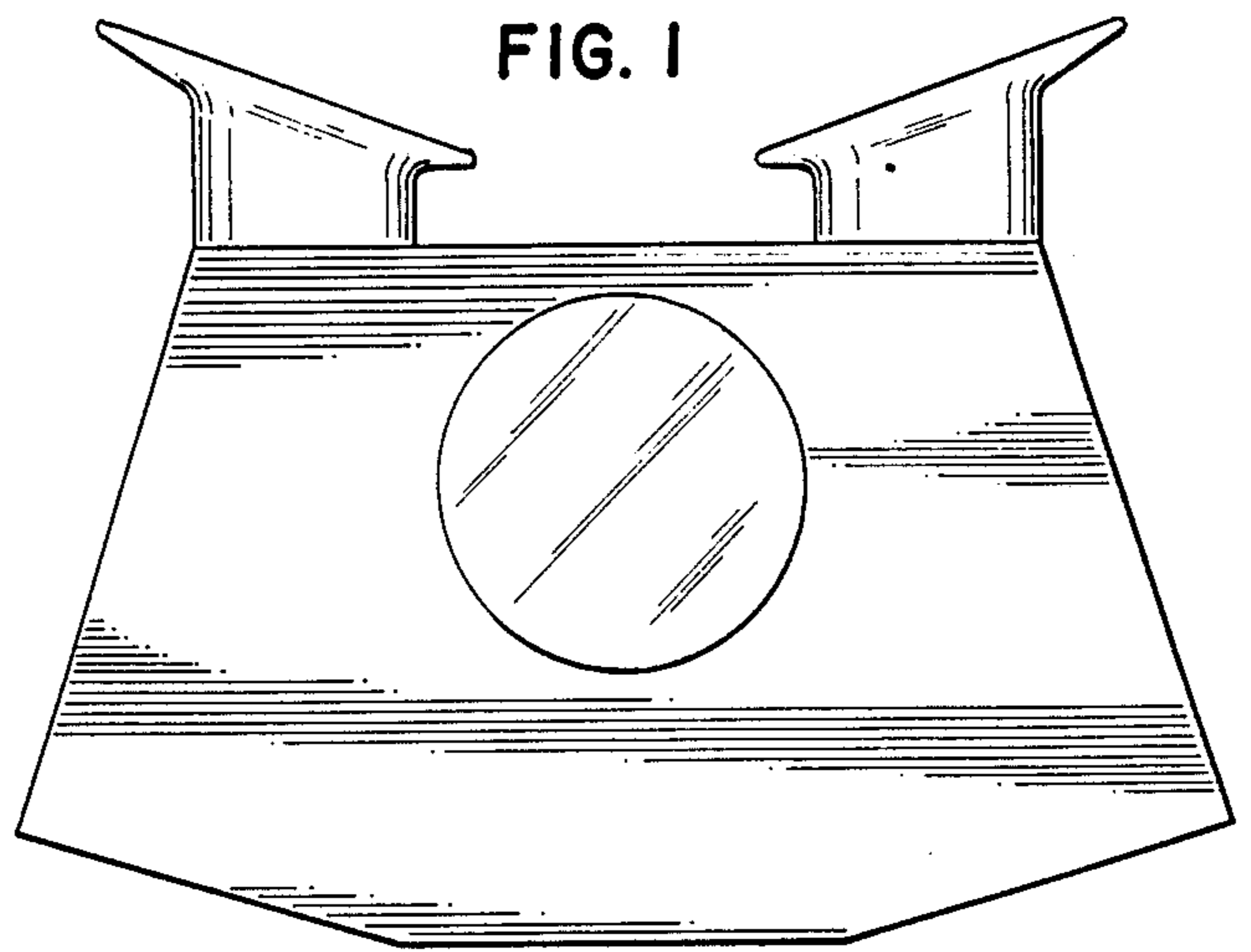


FIG. 6

