

[54] INDUSTRIAL SEWING MACHINE

[75] Inventor: Toyokichi Gotou, Souka, Japan

[73] Assignee: Newlong Machine Works, Ltd., Tokyo, Japan

[\*] Notice: The portion of the term of this patent subsequent to Jul. 3, 2004 has been disclaimed.

[\*\*] Term: 14 Years

[21] Appl. No.: 886,774

[22] Filed: Jul. 17, 1986

[30] Foreign Application Priority Data

Mar. 25, 1986 [JP]	Japan	61-10511
[52] U.S. Cl.		D15/69
[58] Field of Search		D15/66, 68-76; 112/63, 258-261

[56]

References Cited

U.S. PATENT DOCUMENTS

D. 249,947	10/1978	Gegauf	.....	D15/68
D. 288,207	2/1987	Kuroki et al.	.....	D15/70
D. 291,088	7/1987	Hanyu	.....	D15/69
D. 291,999	9/1987	Yoneda	.....	D15/69
4,314,517	2/1982	Kasahara et al.	.....	112/260

Primary Examiner—A. Hugo Word  
 Assistant Examiner—Ruth McInroy  
 Attorney, Agent, or Firm—Lowe, Price, LeBlanc,  
 Becker & Shur

[57]

CLAIM

The ornamental design for an industrial sewing machine, as shown.

DESCRIPTION

FIG. 1 is a front elevational view of an industrial sewing machine showing my new design;  
 FIG. 2 is a top plan view thereof;  
 FIG. 3 is a bottom plan view thereof;  
 FIG. 4 is a rear elevational view thereof;  
 FIG. 5 is a left side elevational view thereof;  
 FIG. 6 is a right side elevational view thereof; and  
 FIG. 7 is a front perspective view thereof.

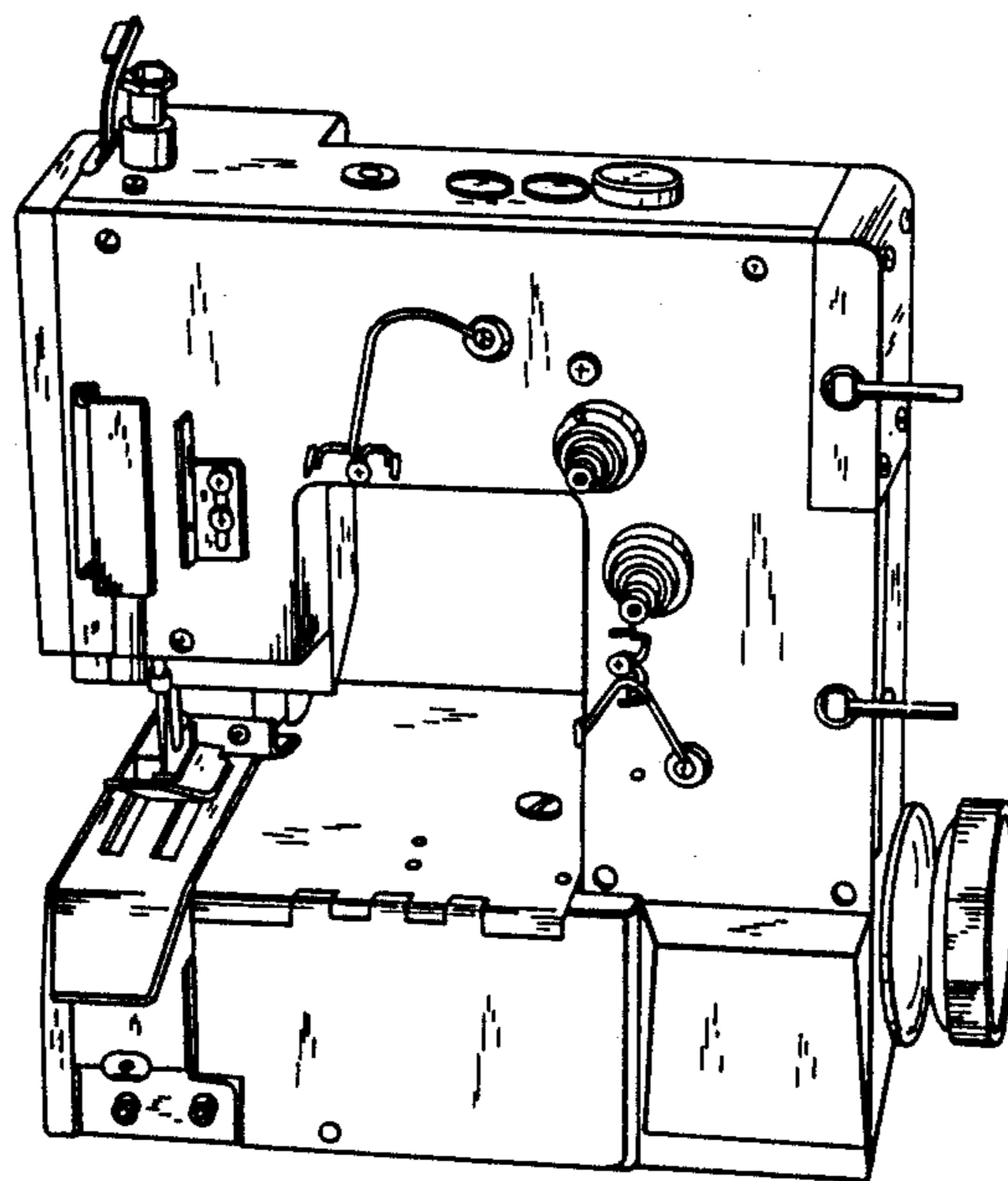


FIG. 1

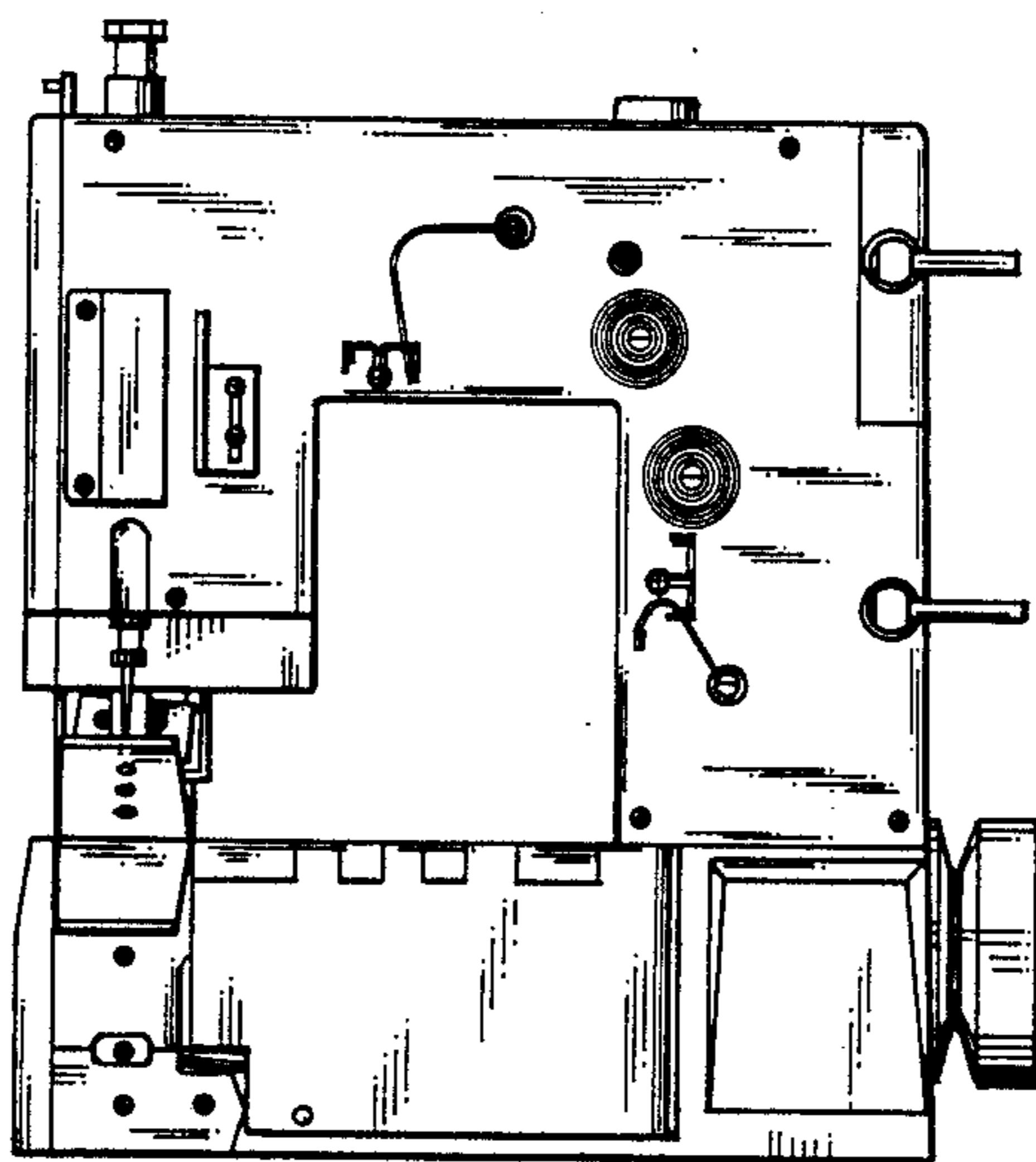


FIG. 2

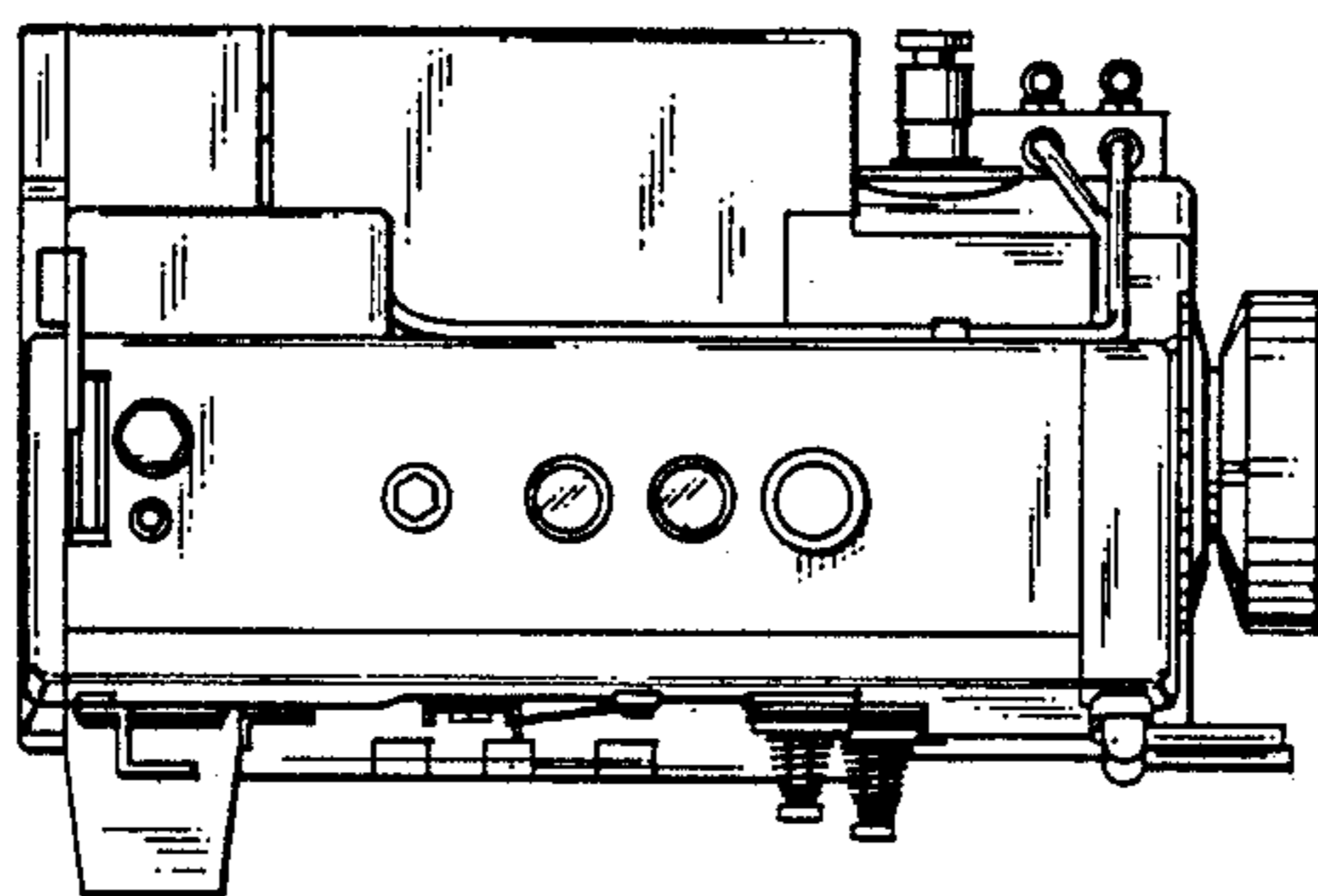


FIG. 3

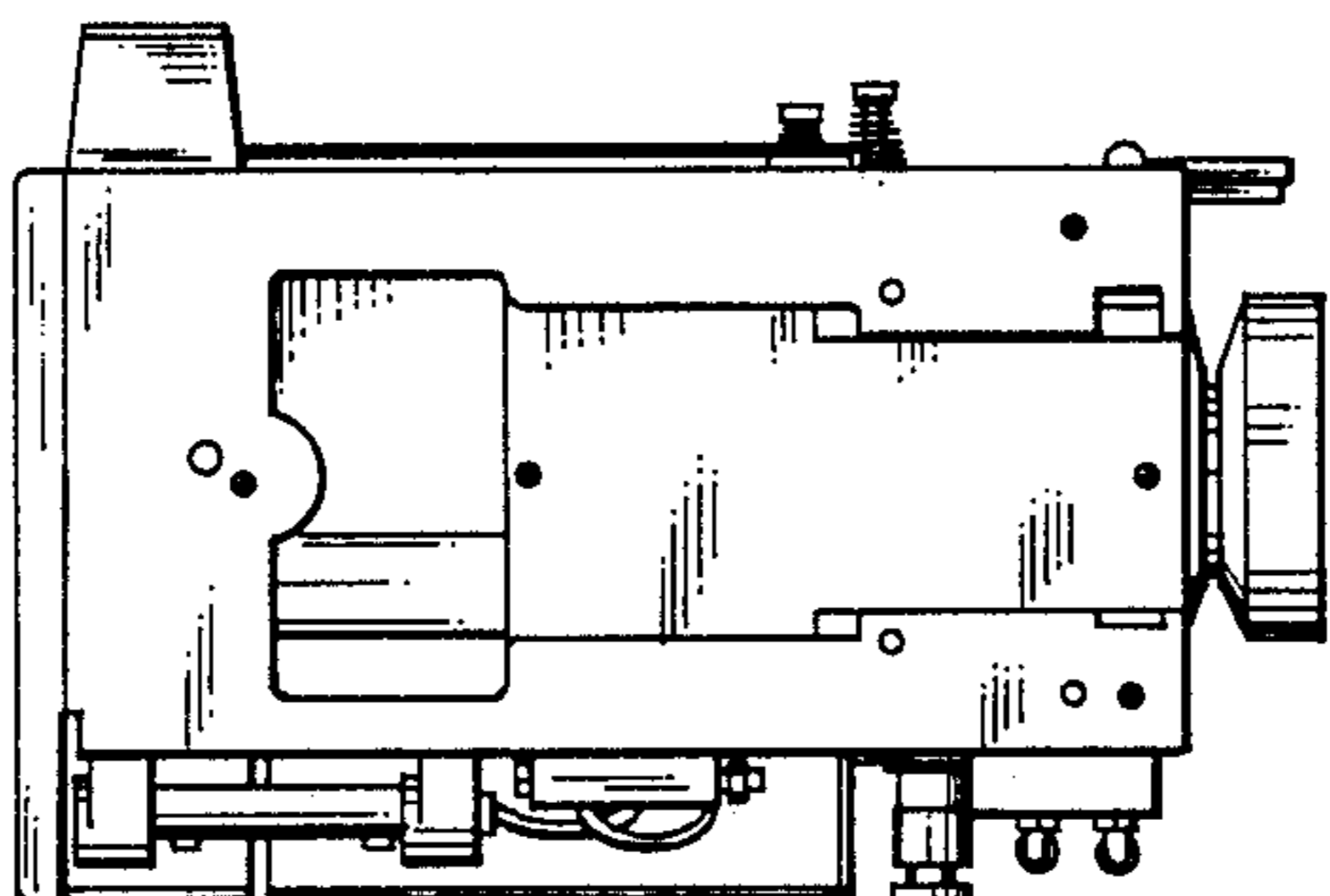


FIG. 4

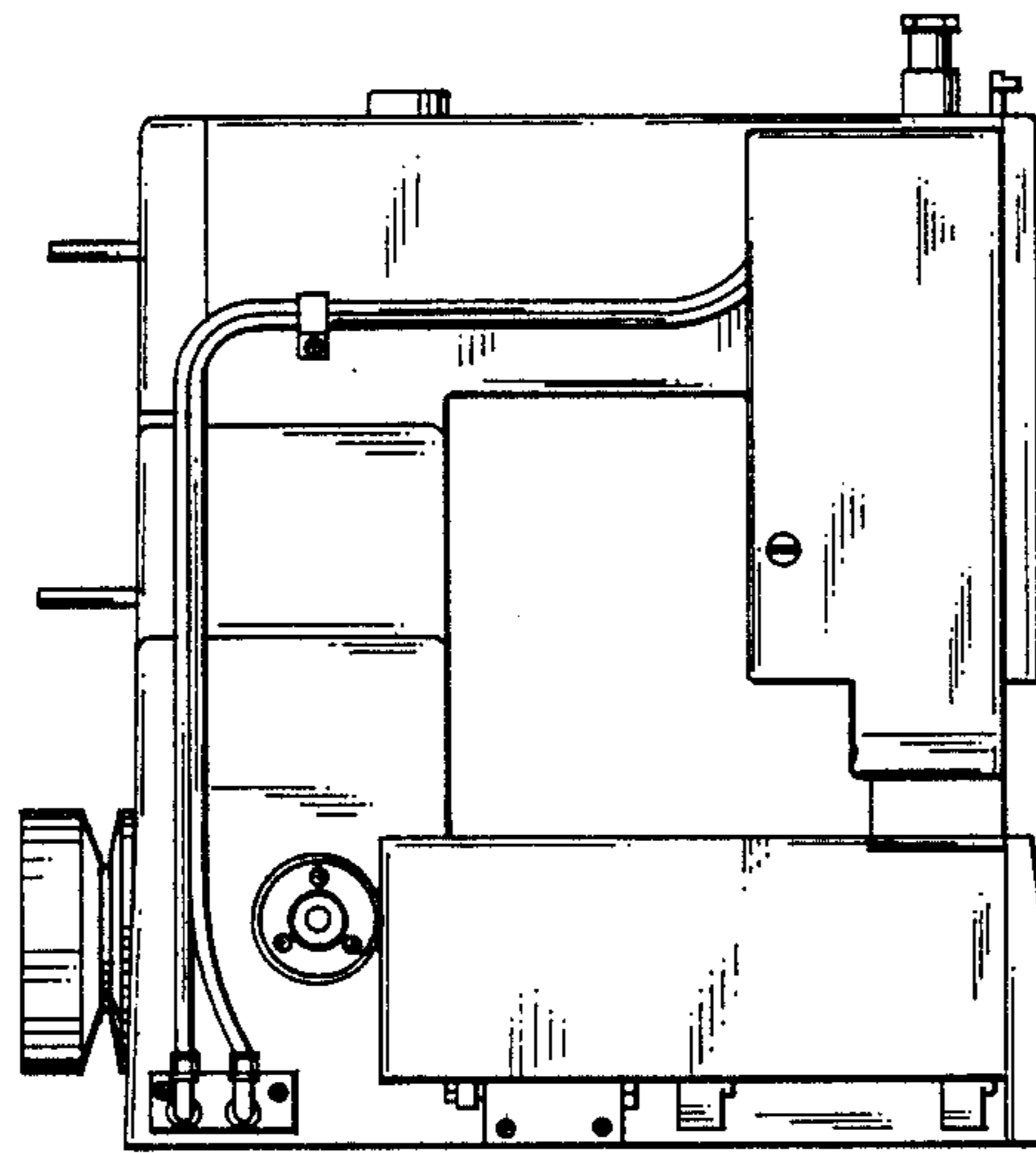


FIG. 5

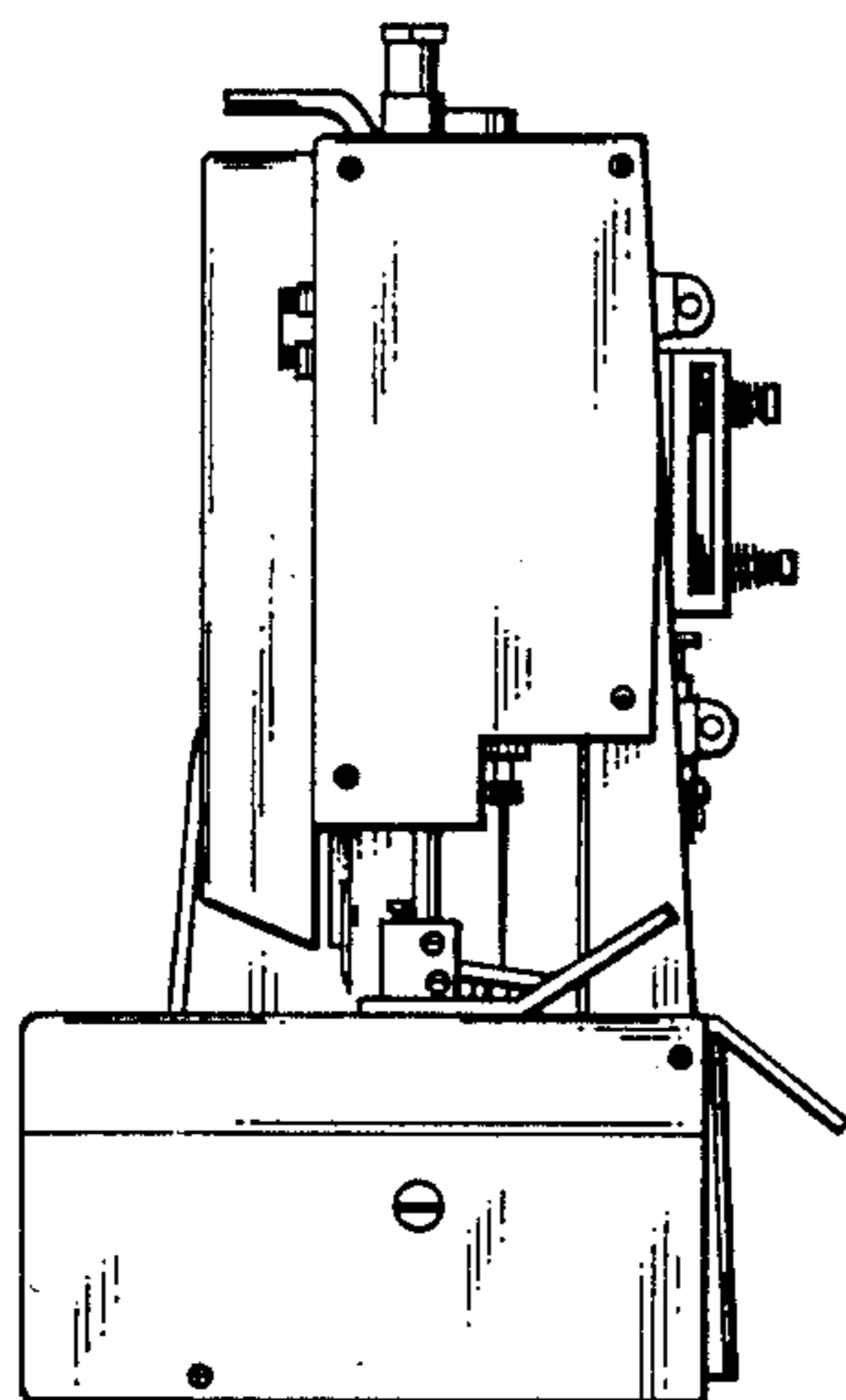
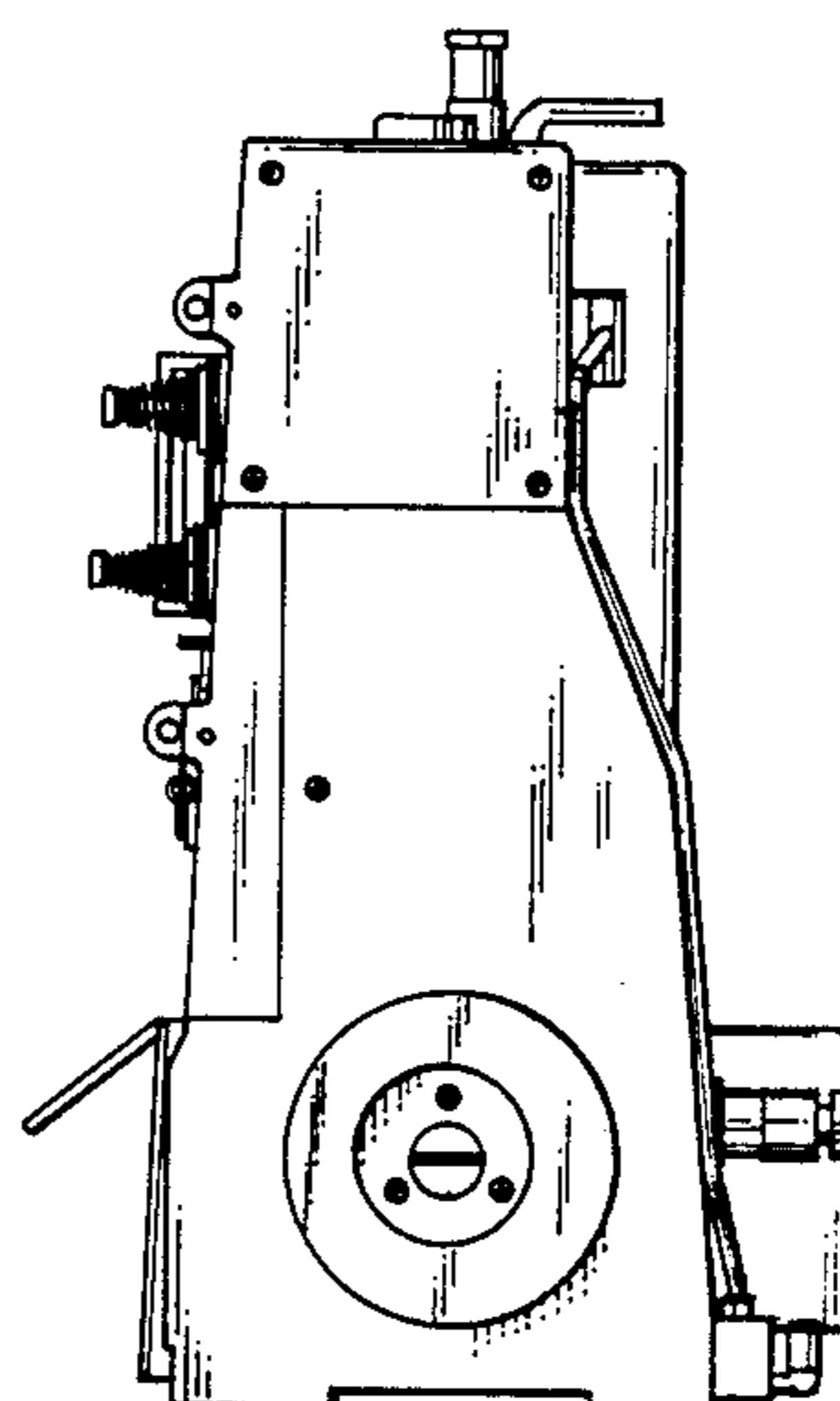


FIG. 6



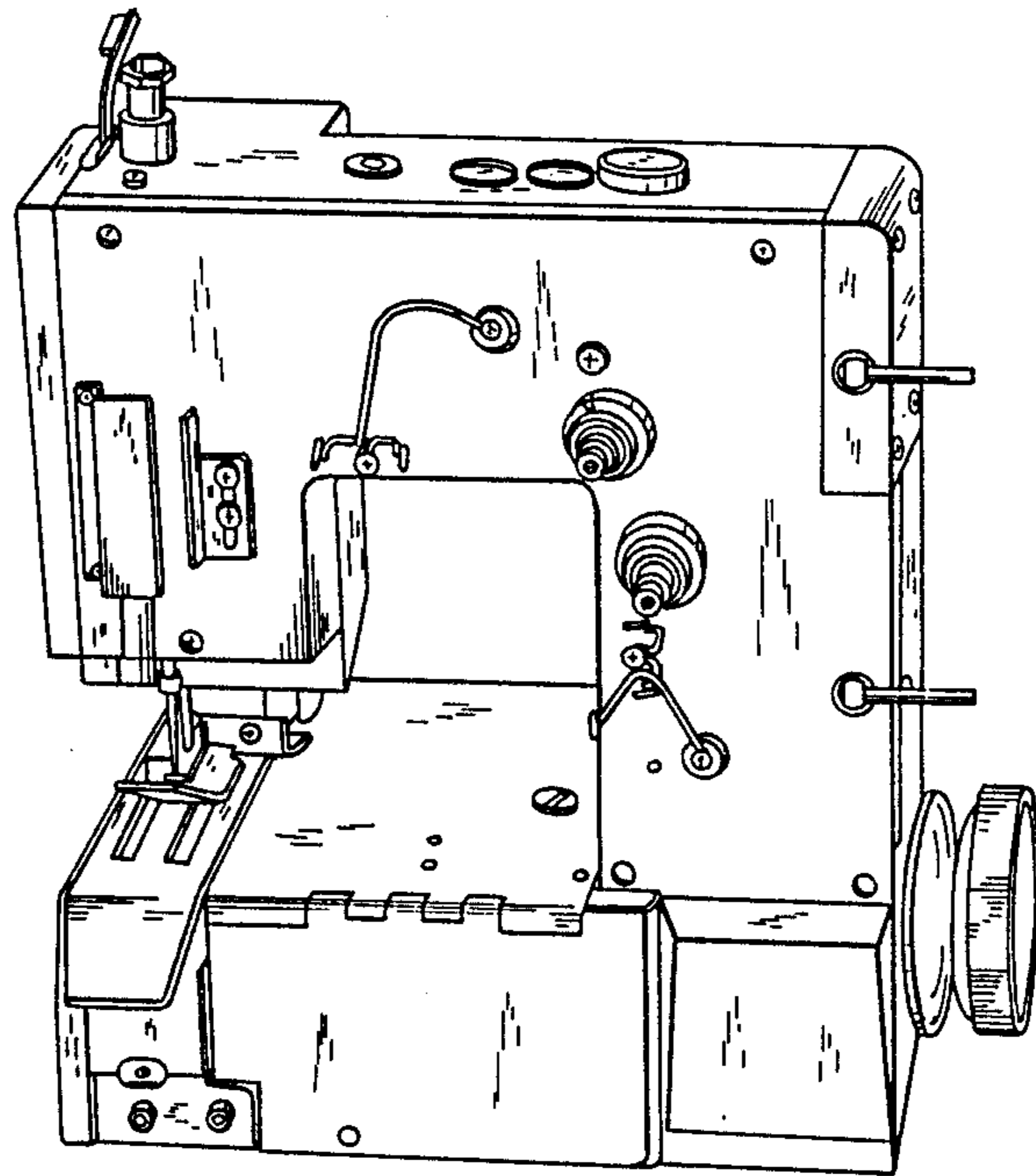


FIG. 7