

[54] SNOW PLOW BLADE

3,483,642 12/1969 Glesmann 37/272
4,255,884 3/1981 Williams 37/272

[76] Inventor: Ronald D. Eberle, 495 Oak St.,
Grainfield, Kans. 67737

[**] Term: 14 Years

[21] Appl. No.: 122,428

[22] Filed: Nov. 19, 1987

[52] U.S. Cl. D15/11

[58] Field of Search D15/11, 23, 28, 32;
37/272, 274, 276

[56] References Cited

U.S. PATENT DOCUMENTS

Re. 20,125	10/1936	Frink .	
745,608	12/1903	Heermans .	
801,090	10/1905	Kenney .	
990,002	4/1911	Pillionnel et al. .	
1,534,638	4/1925	Ebert .	
1,561,651	11/1925	Lavell .	
1,871,565	8/1932	Soule et al.	37/272
1,929,548	10/1933	Frink .	
2,315,743	4/1943	Sieg .	
3,248,811	5/1966	Pravednekow .	

OTHER PUBLICATIONS

Ford Tractor/Dearborn Farm Equipment brochure,
pic. in upper left.

Primary Examiner—B. J. Bullock
Assistant Examiner—Sandra Morris
Attorney, Agent, or Firm—Litman, McMahon & Brown

[57] CLAIM

The ornamental design for a snow plow blade, as shown
and described.

DESCRIPTION

FIG. 1 is a perspective view of a snow plow blade,
showing my new design, the broken lines showing a
support frame are for illustrative purposes only and
form no part of the claimed design;
FIG. 2 is a front elevational view thereof;
FIG. 3 is a left side elevational view thereof, the other
side being a mirror image;
FIG. 4 is a rear elevational view thereof;
FIG. 5 is a top plan view thereof;
FIG. 6 is a bottom plan view thereof.

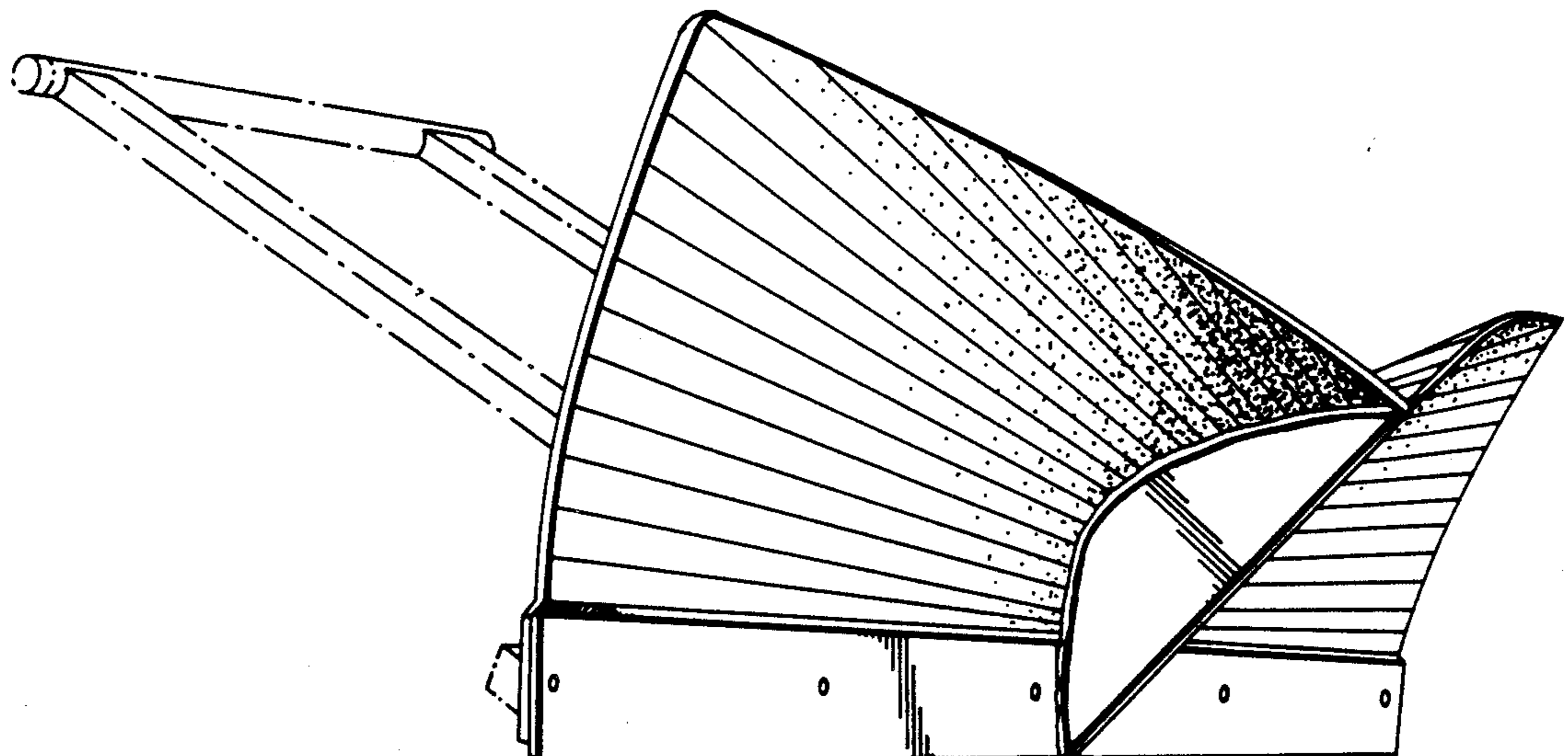


Fig. 1.

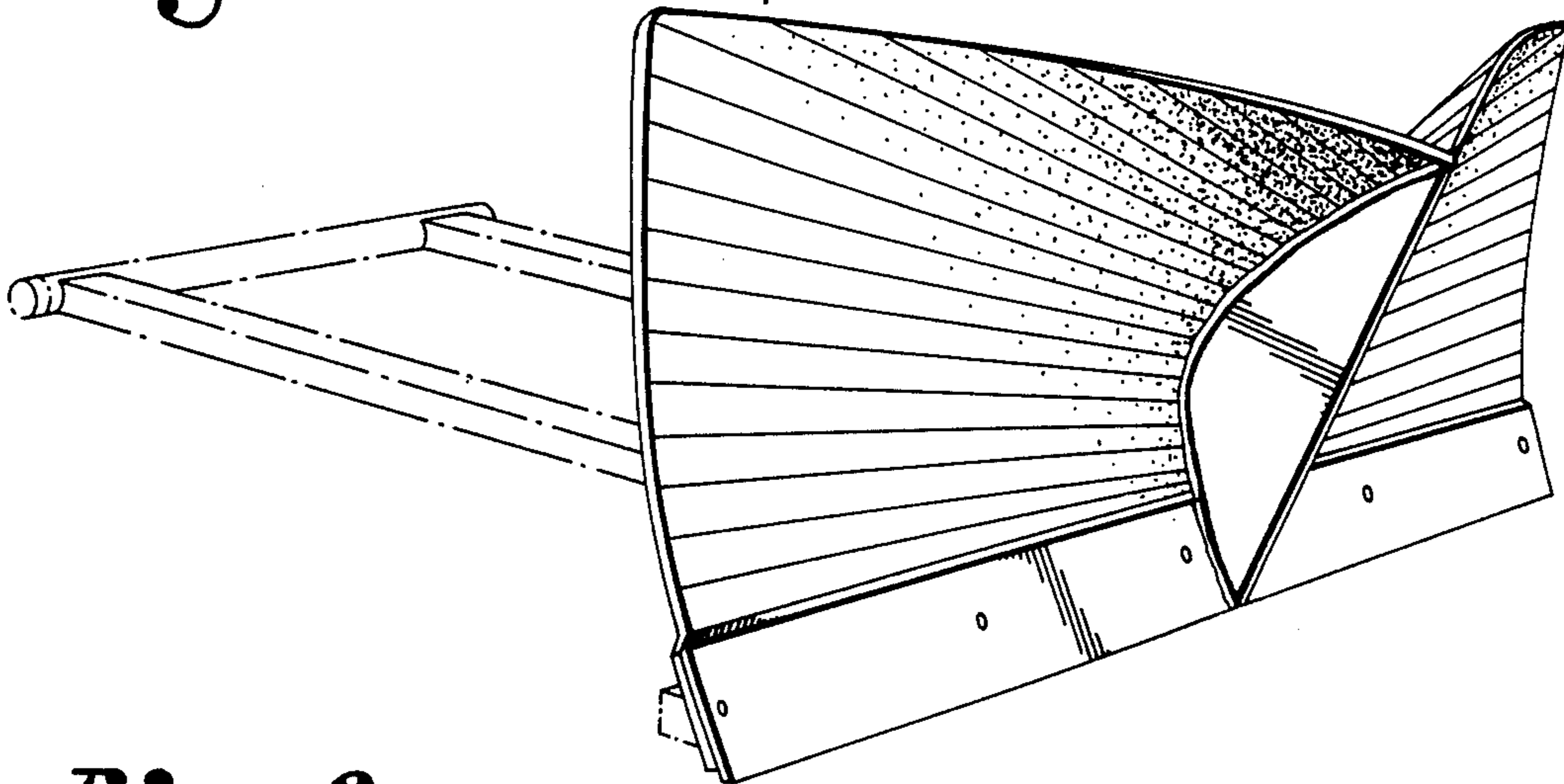


Fig. 2.

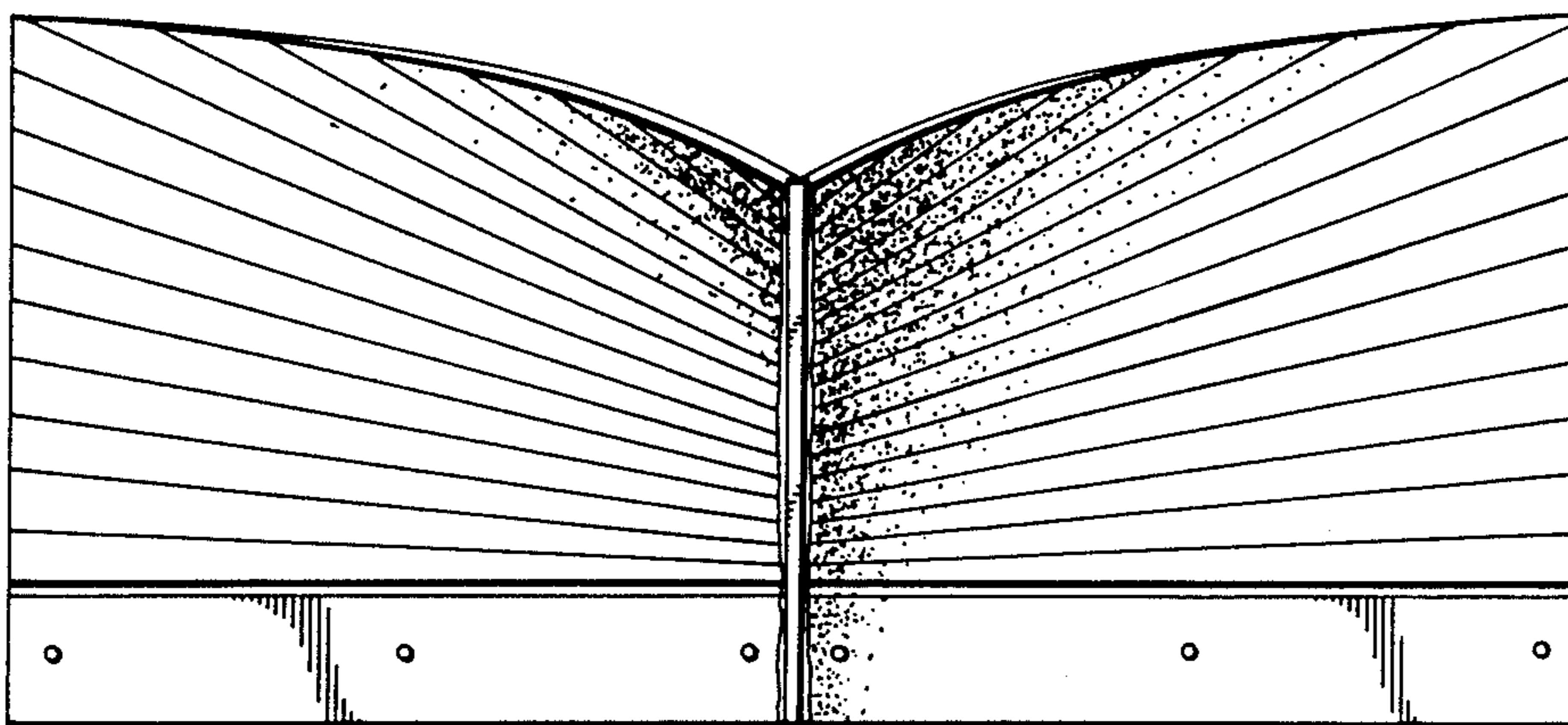


Fig. 3.

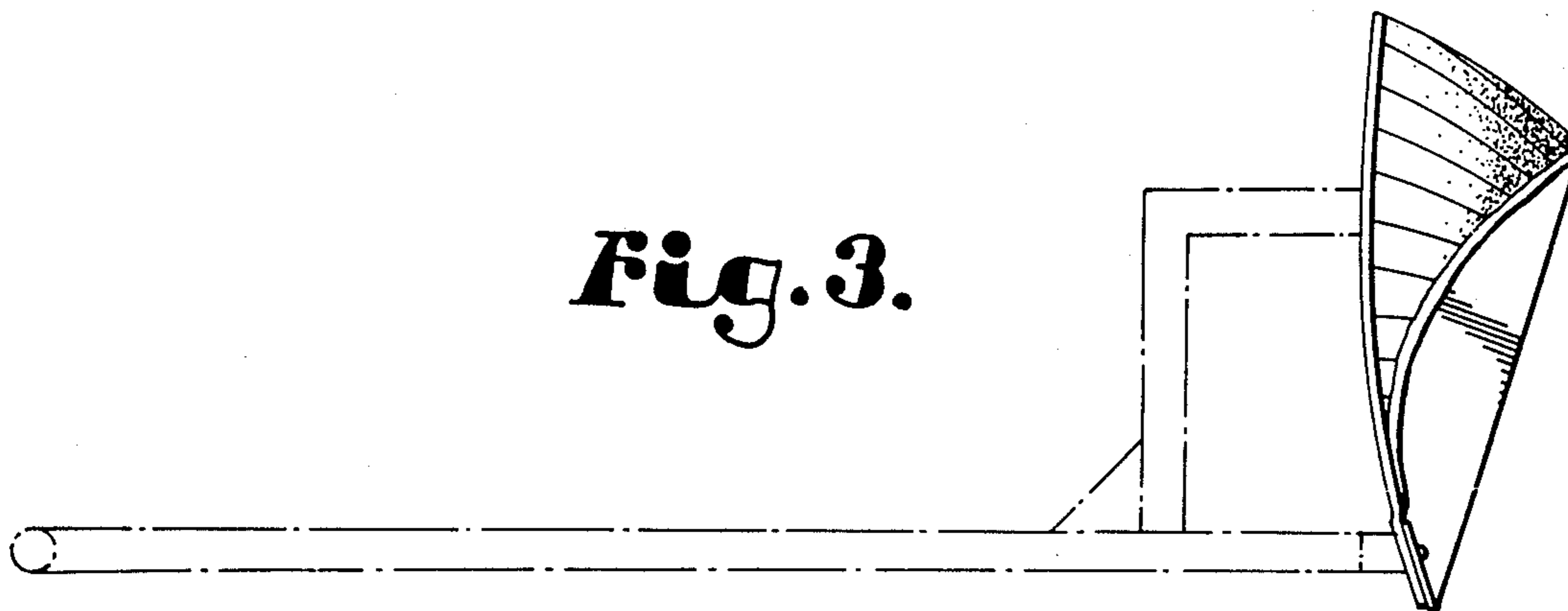


Fig. 4.

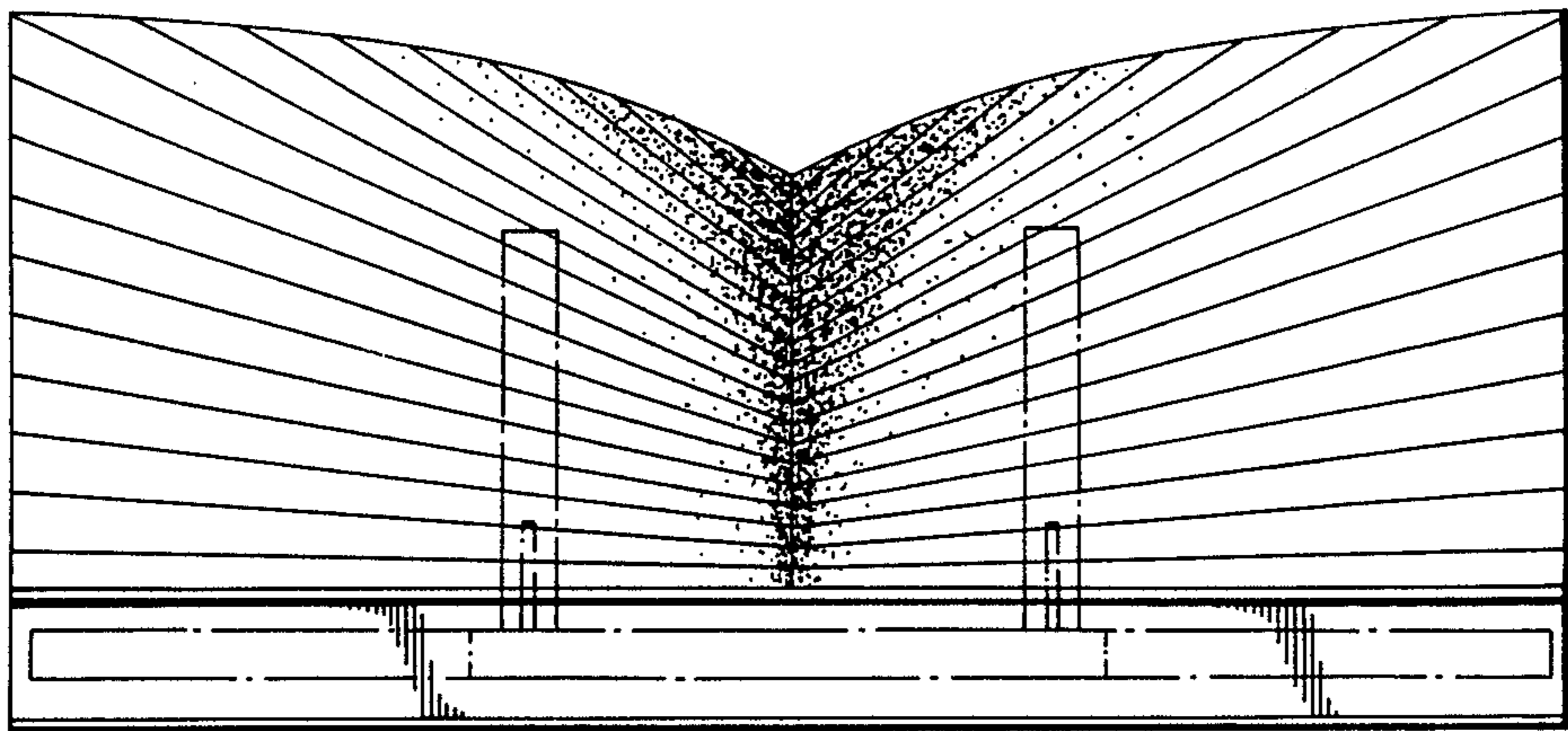


Fig. 5.

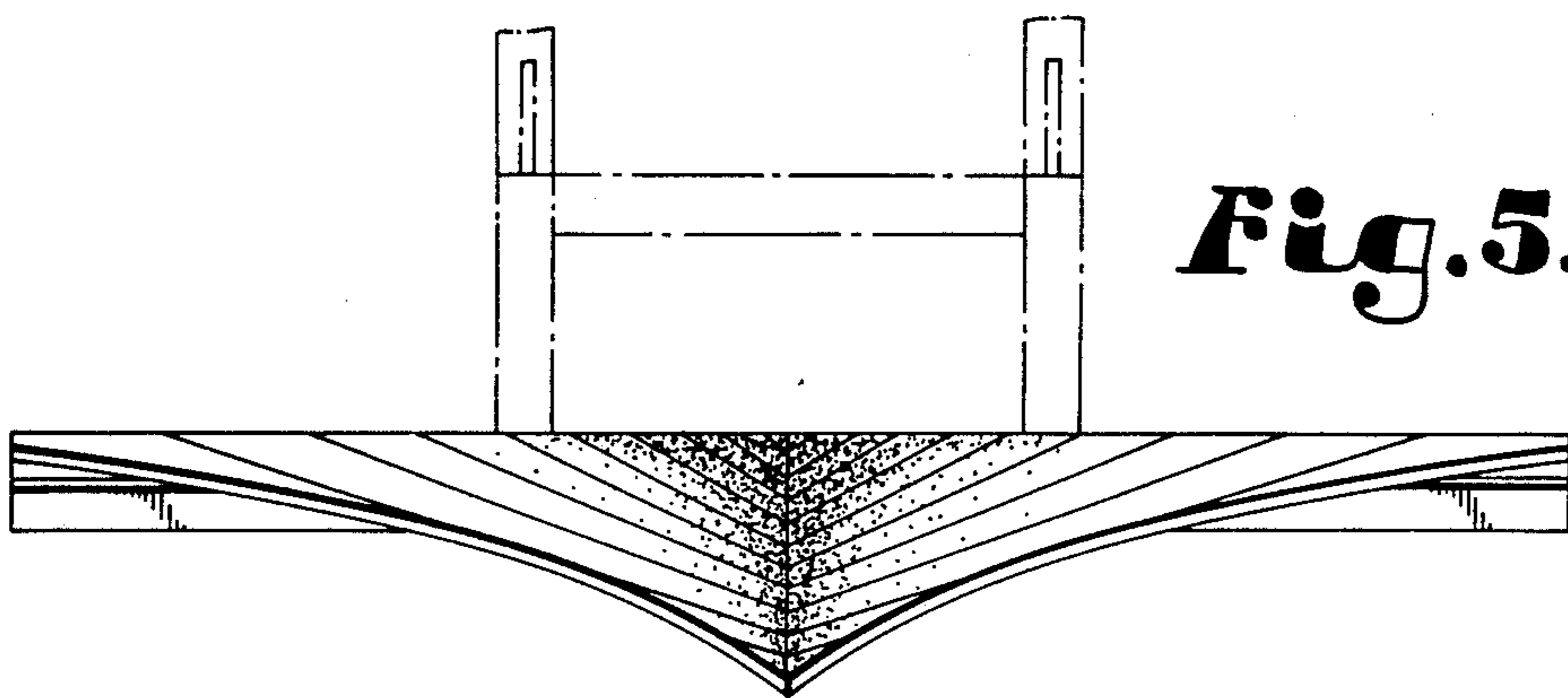


Fig. 6.

