

[54] RETAIL TERMINAL OR SIMILAR ARTICLE

[75] Inventor: Donald L. Forsythe, Byesville, Ohio

[73] Assignee: NCR Corporation, Dayton, Ohio

[**] Term: 14 Years

[21] Appl. No.: 181,341

[22] Filed: Apr. 14, 1988

[52] U.S. Cl. D14/106; D18/4

[58] Field of Search D14/100, 101, 102, 103, D14/104, 105, 106, 107, 113-115, 126; D18/1, 7, 11, 12, 2-5; 235/449; 340/700, 706, 711, 712; 341/22, 23; 358/249, 254; 364/706-710; 400/472, 479, 485, 486; 312

[56] References Cited

U.S. PATENT DOCUMENTS

- D. 227,256 6/1973 Conway et al. D26/5 C
- D. 228,460 9/1973 Conway et al. D26/5 C
- D. 234,267 2/1975 Merino et al. D14/105 X
- D. 237,976 12/1975 Wolfe et al. D26/5 C
- D. 238,497 1/1976 Fossella et al. D26/5 C

- D. 238,514 1/1976 Artuad D61/1 Q
- D. 260,990 9/1981 Williams D14/105
- D. 279,687 7/1985 Akiyama D18/4
- D. 301,589 6/1989 Makidera D18/4
- D. 303,537 9/1989 Kato et al. D18/4
- 4,602,151 7/1986 Hellsberg 235/449 X

Primary Examiner—Susan J. Lucas
Assistant Examiner—Freda S. Nunn
Attorney, Agent, or Firm—Wilbert Hawk, Jr.; Albert L. Sessler, Jr.; Richard W. Lavin

[57] CLAIM

The ornamental design for a retail terminal or similar article, as shown and described.

DESCRIPTION

FIG. 1 is a right front perspective view of the retail terminal or similar article showing my new design; FIG. 2 is a top plan view thereof; FIG. 3 is a front elevational view thereof; FIG. 4 is a rear elevational view thereof; FIG. 5 is a right side elevational view thereof; FIG. 6 is a left side elevational view thereof; FIG. 7 is a bottom plan view thereof.

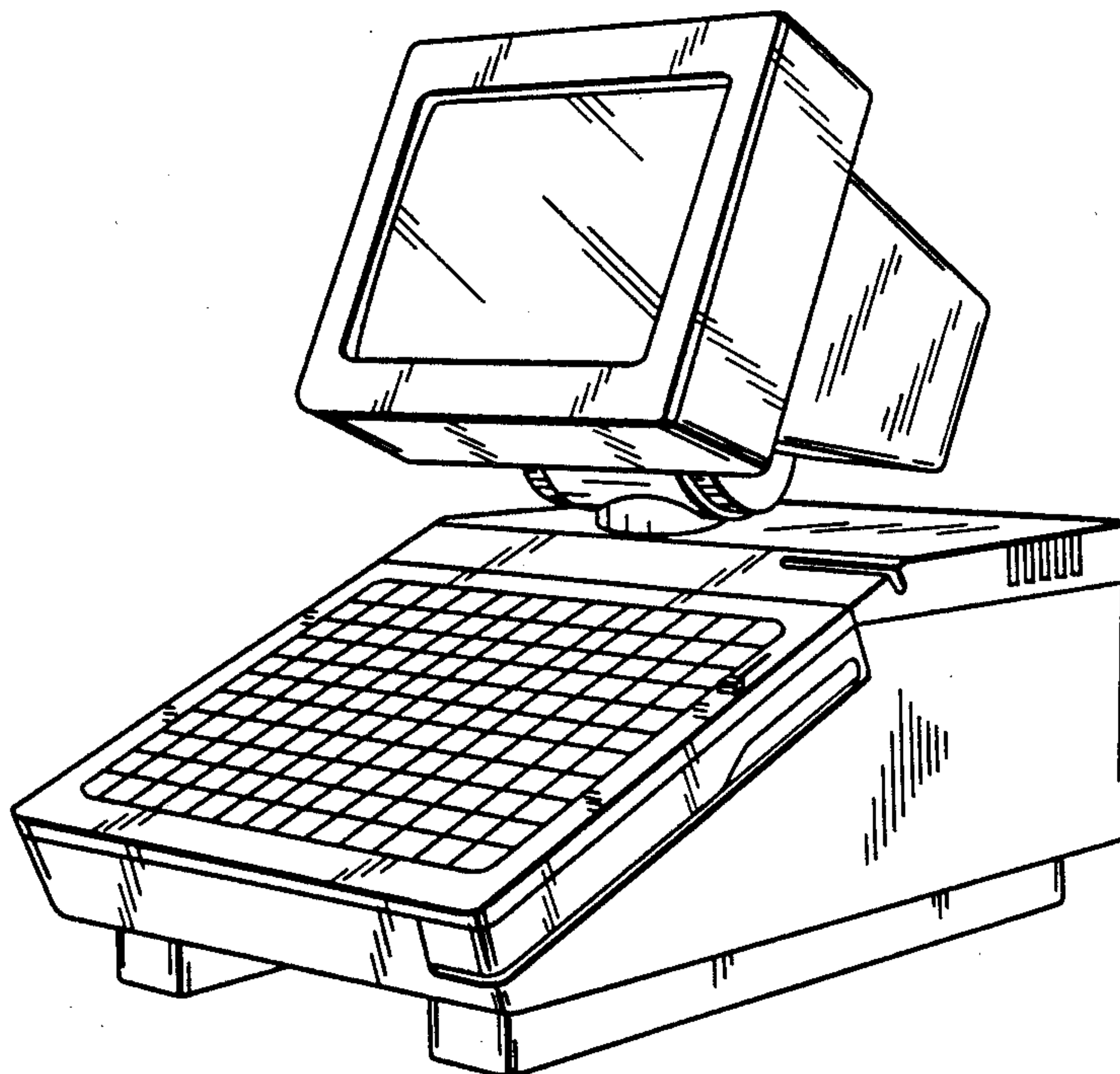


FIG. 1

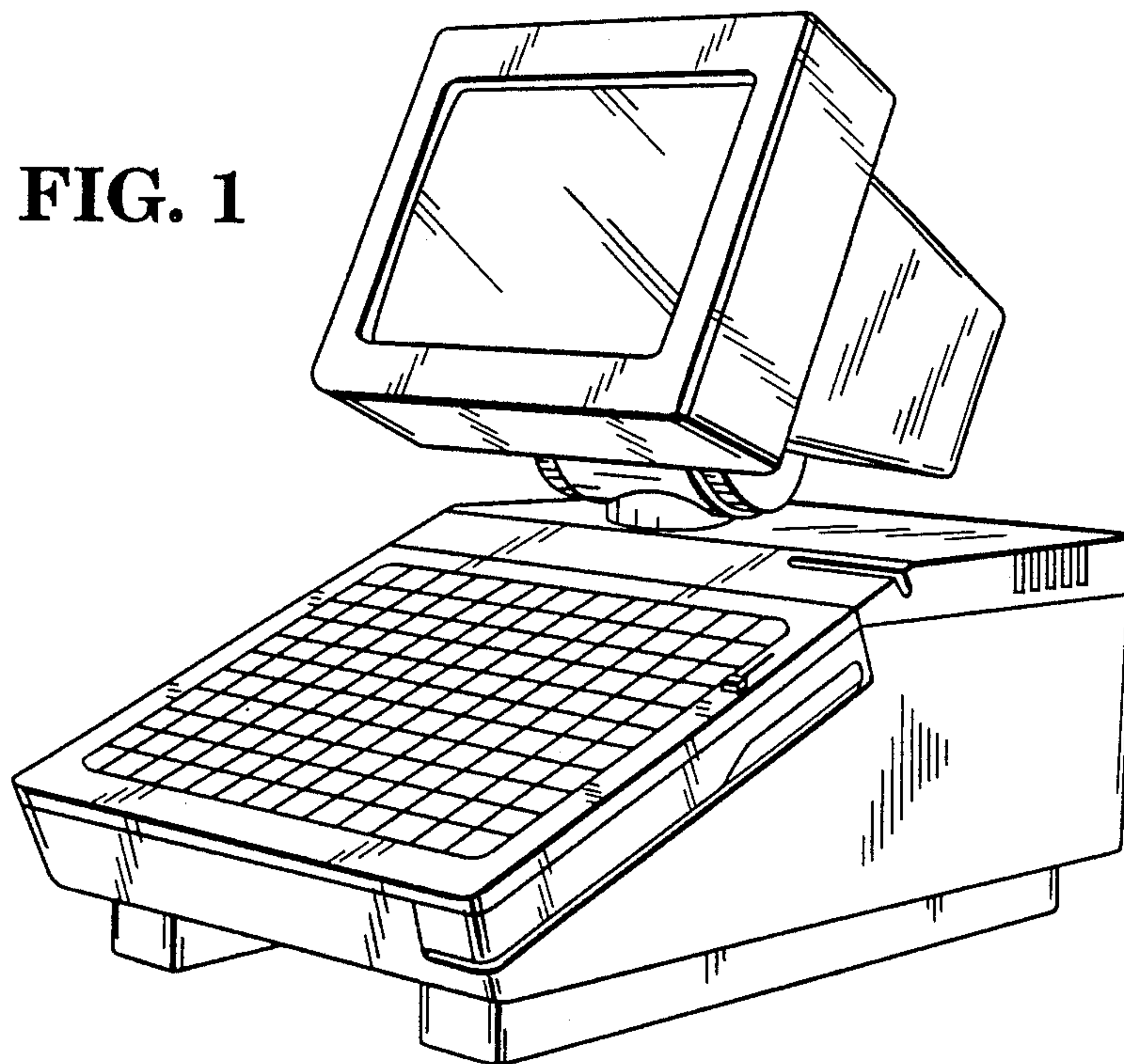
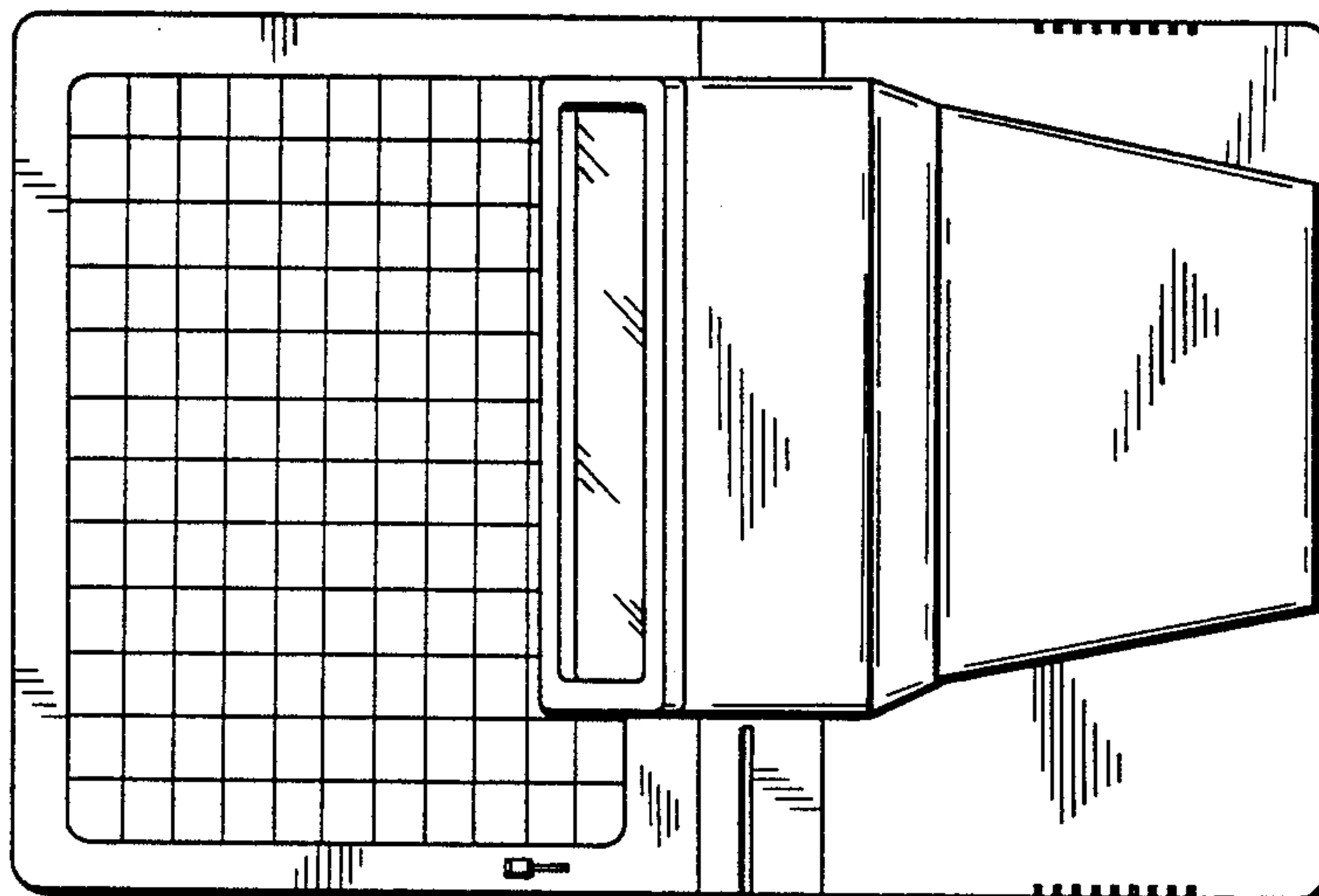


FIG. 2



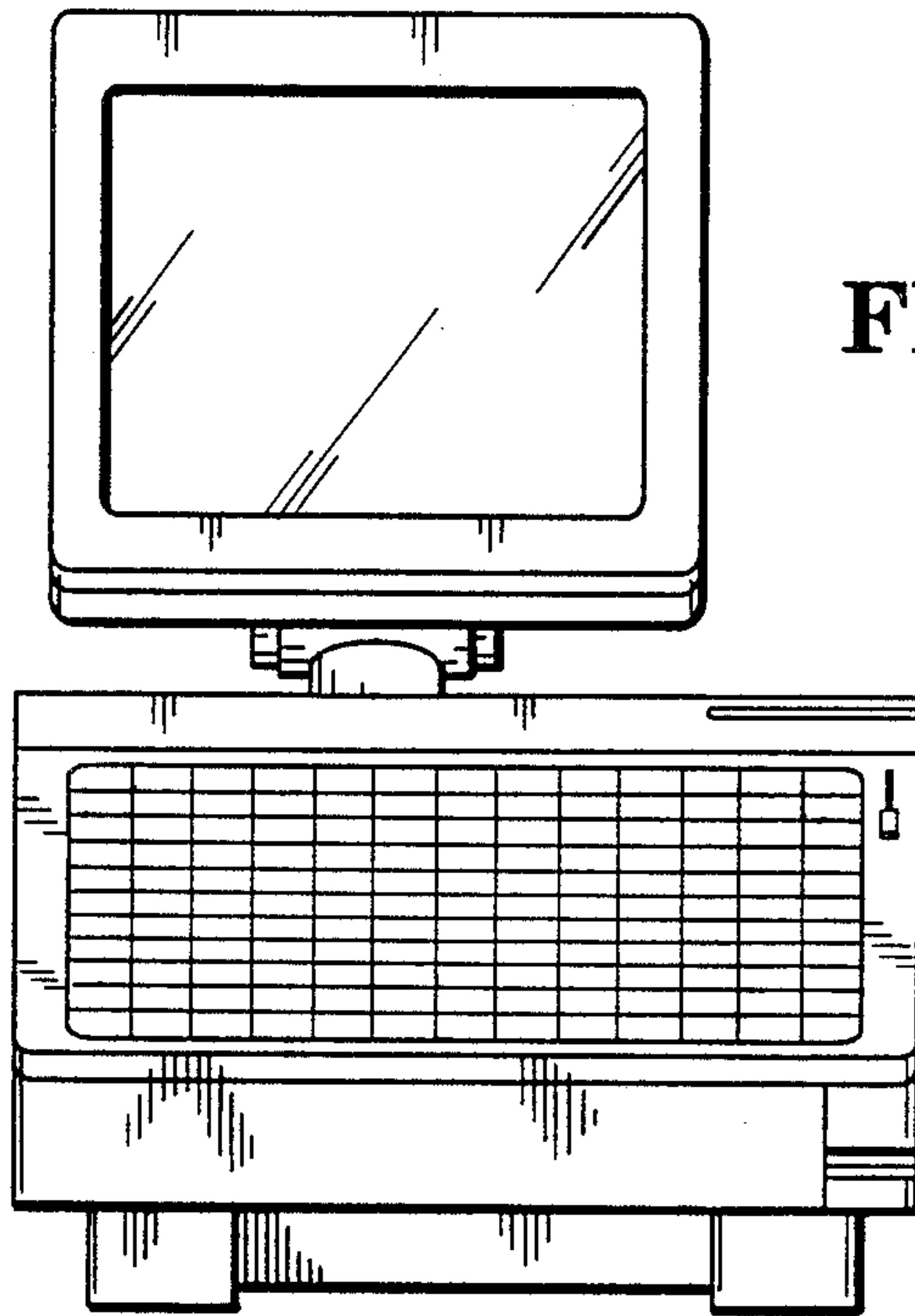


FIG. 3

FIG. 4

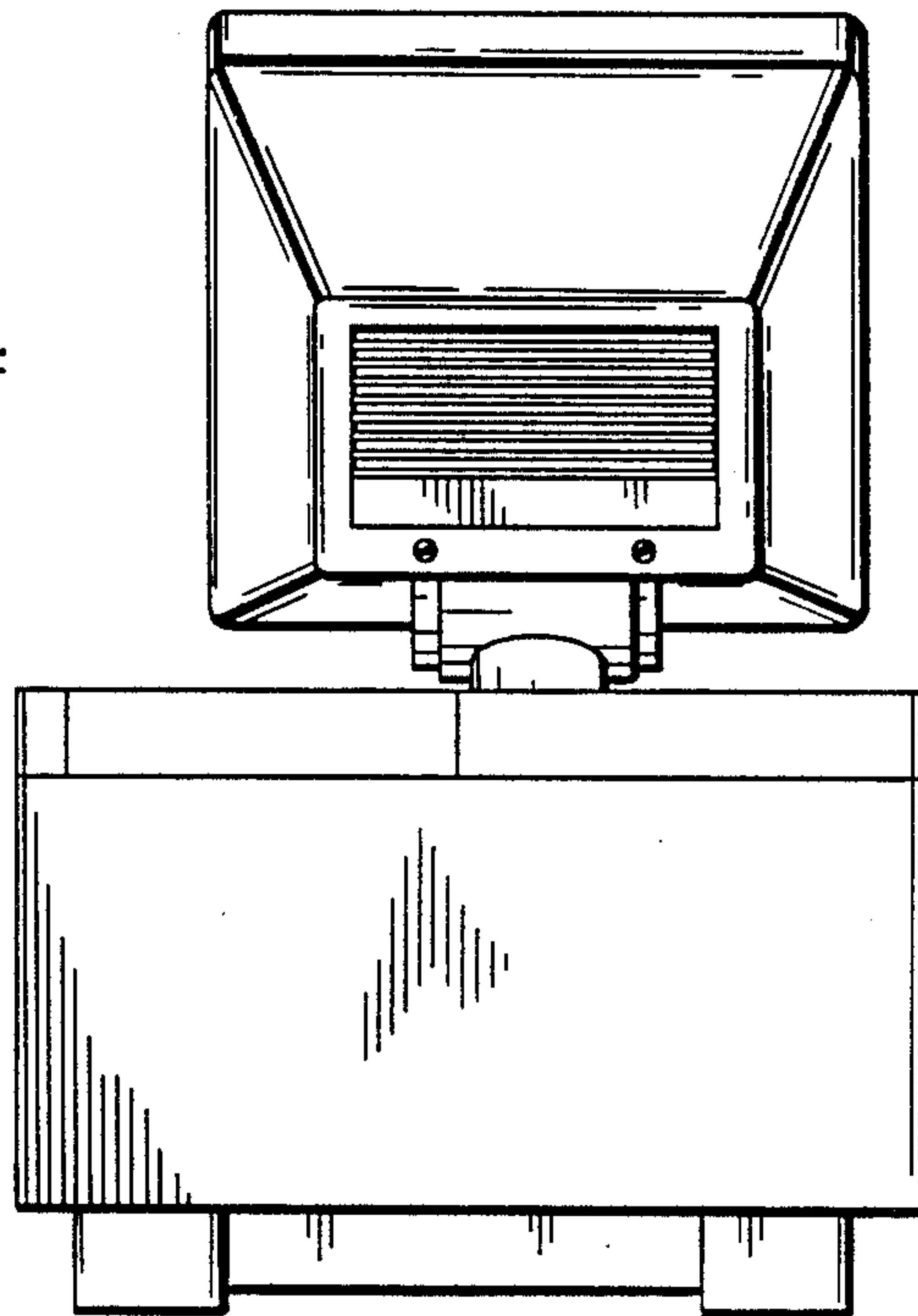


FIG. 5

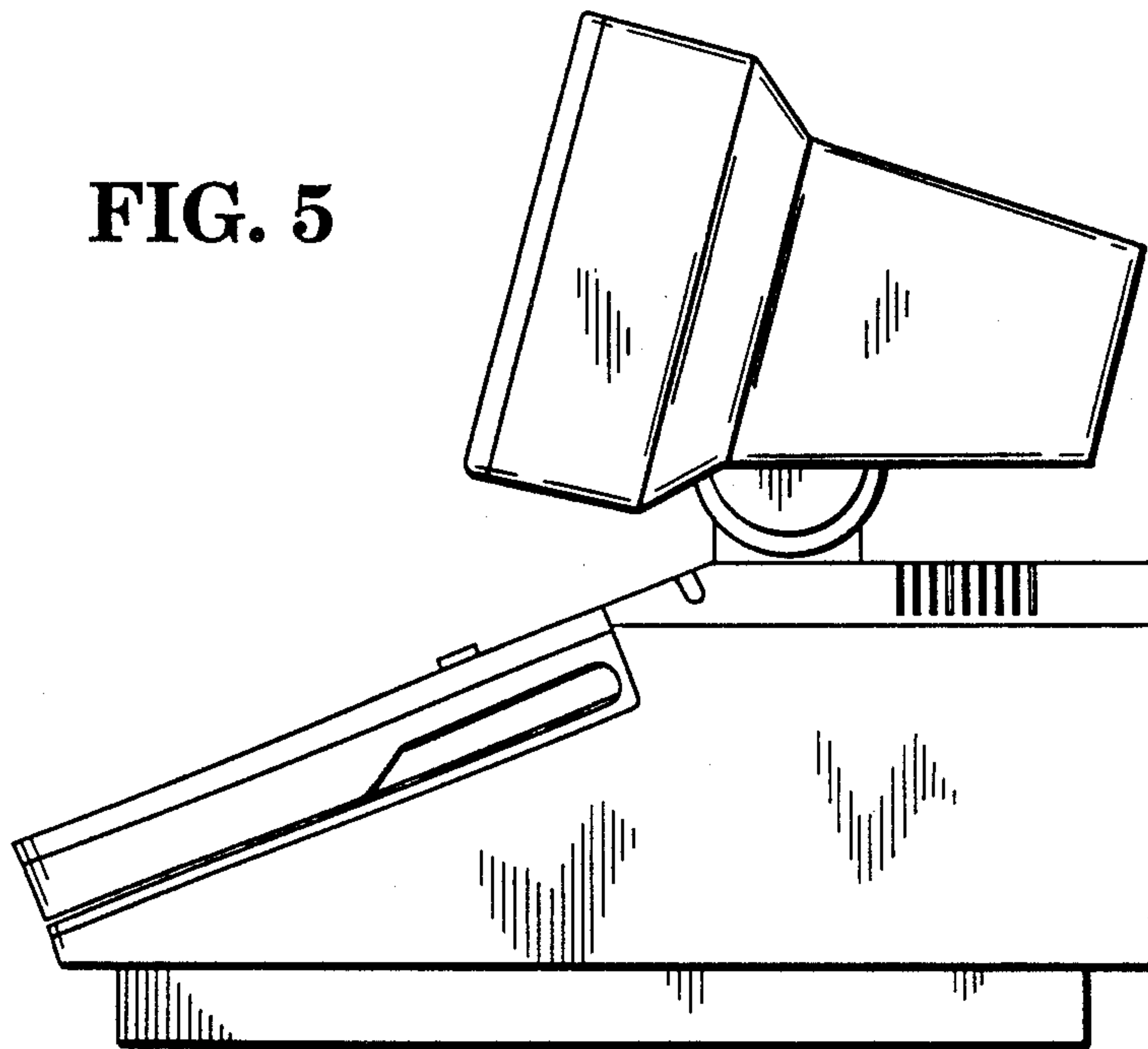
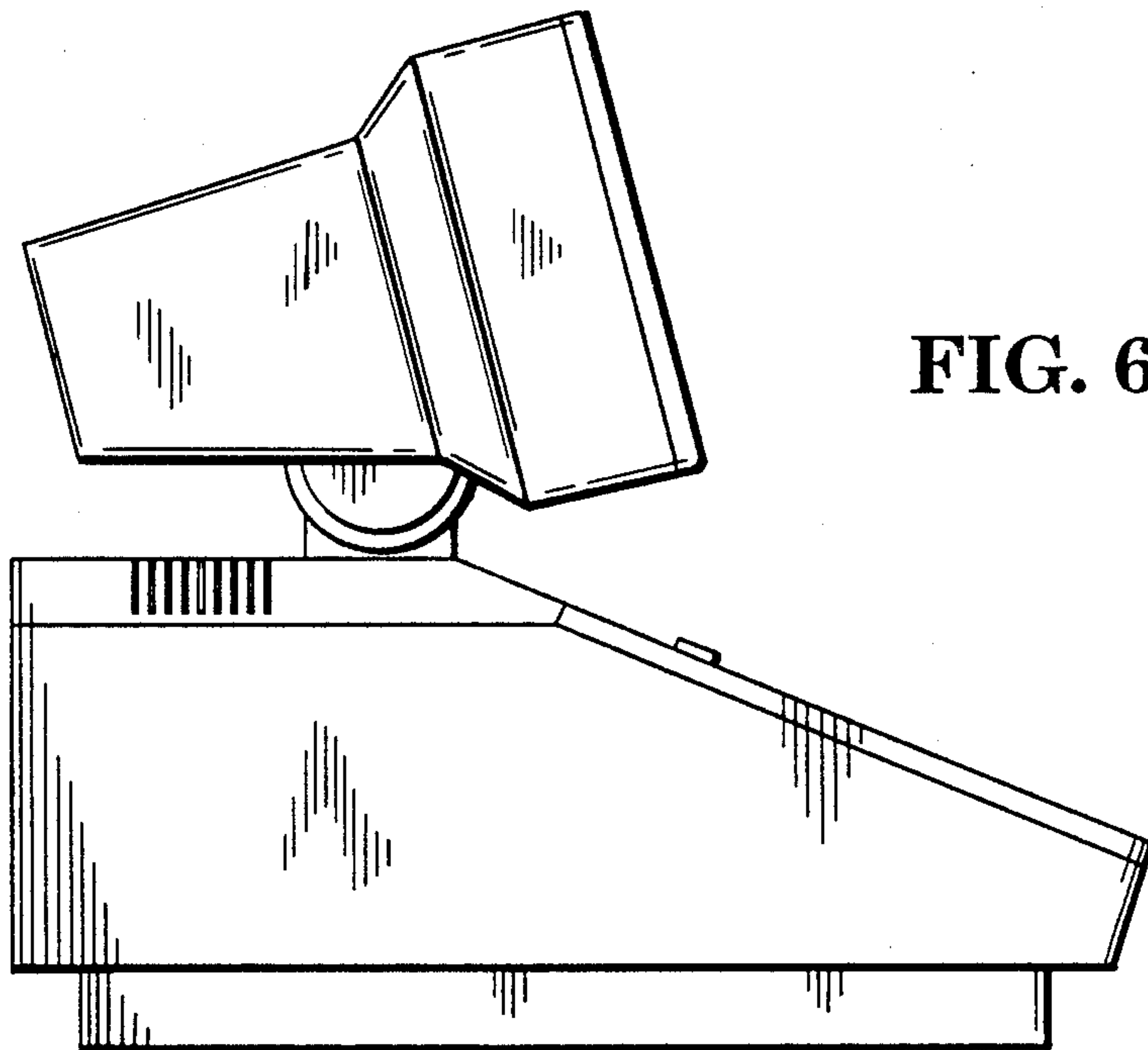


FIG. 6



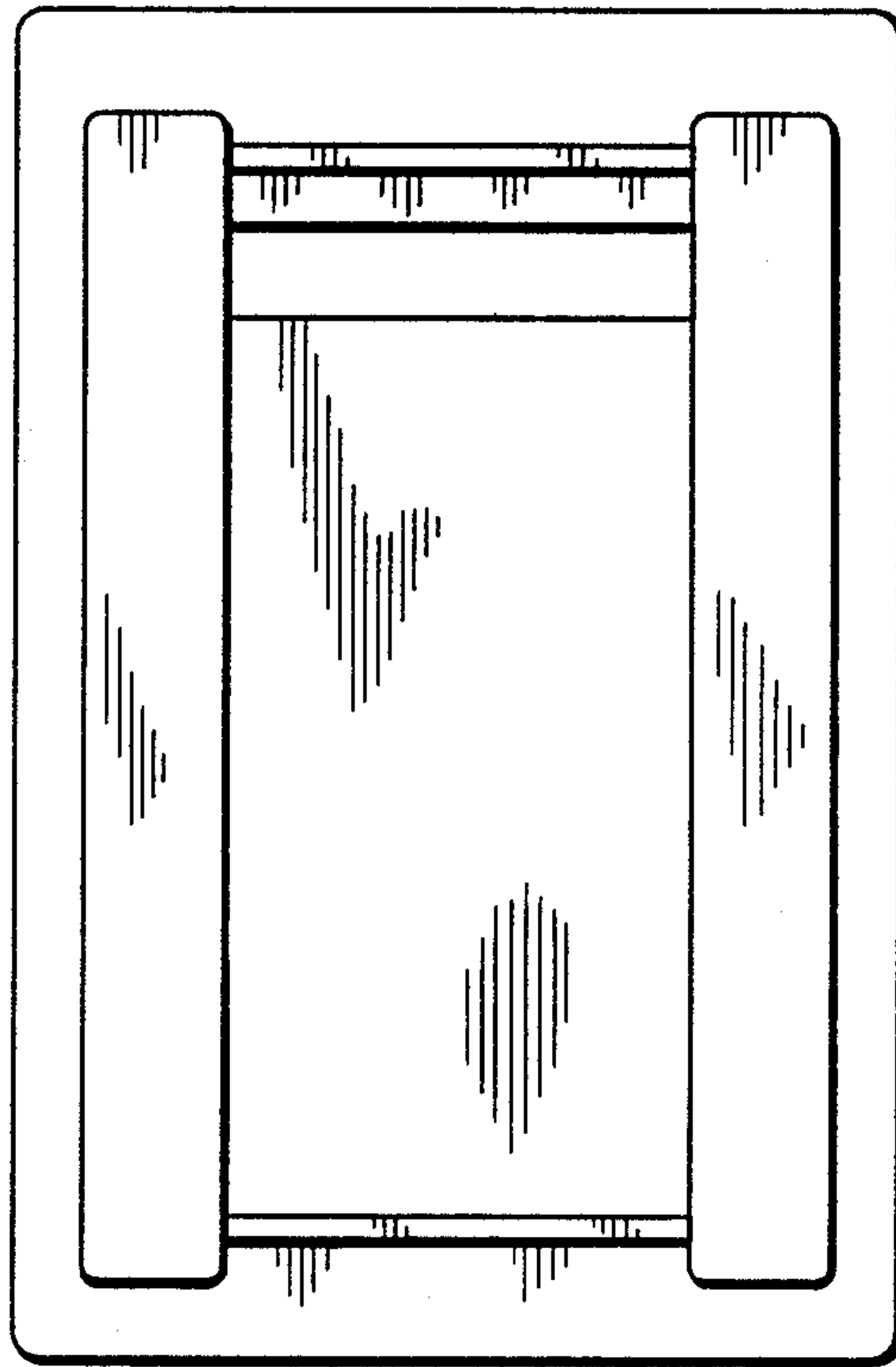


FIG. 7