

[54] RETRACTABLE AUTOMOTIVE BATTERY CABLE HOUSING

[75] Inventor: Martin Sheps, Poway, Calif.

[73] Assignee: Westway Products Corporation, San Juan Capistrano, Calif.

[**] Term: 14 Years

[21] Appl. No.: 246,537

[22] Filed: Sep. 19, 1988

[52] U.S. Cl. D13/184; D8/359

[58] Field of Search D13/126, 133, 184; D8/358, 359; 191/1 R, 12.4; 242/47.5, 96

[56] References Cited

U.S. PATENT DOCUMENTS

D. 282,359	1/1986	Schwartz	D8/358	X
D. 286,134	10/1986	Schwartz	D13/40	X
4,220,293	9/1980	Genome	242/96	X
4,466,581	8/1984	Hill	242/96	

4,653,833	3/1987	Czubernat et al.	339/119	C
4,656,320	4/1987	Maddock	242/96	X

Primary Examiner—Susan J. Lucas
Assistant Examiner—Joel Sincavage
Attorney, Agent, or Firm—Stetina and Brunda

[57] CLAIM

The ornamental design for a retractable automotive battery cable housing, as shown and described.

DESCRIPTION

FIG. 1 is an upper front perspective view of the retractable automotive battery cable housing showing my new design;
FIG. 2 is a lower rear perspective view thereof;
FIG. 3 is a front elevational view thereof with the phantom lines depicting solely environmental structure and forming no part of the claimed design; and
FIG. 4 is a top plan view thereof with the phantom lines depicting solely environmental structure and forming no part of the claimed design.

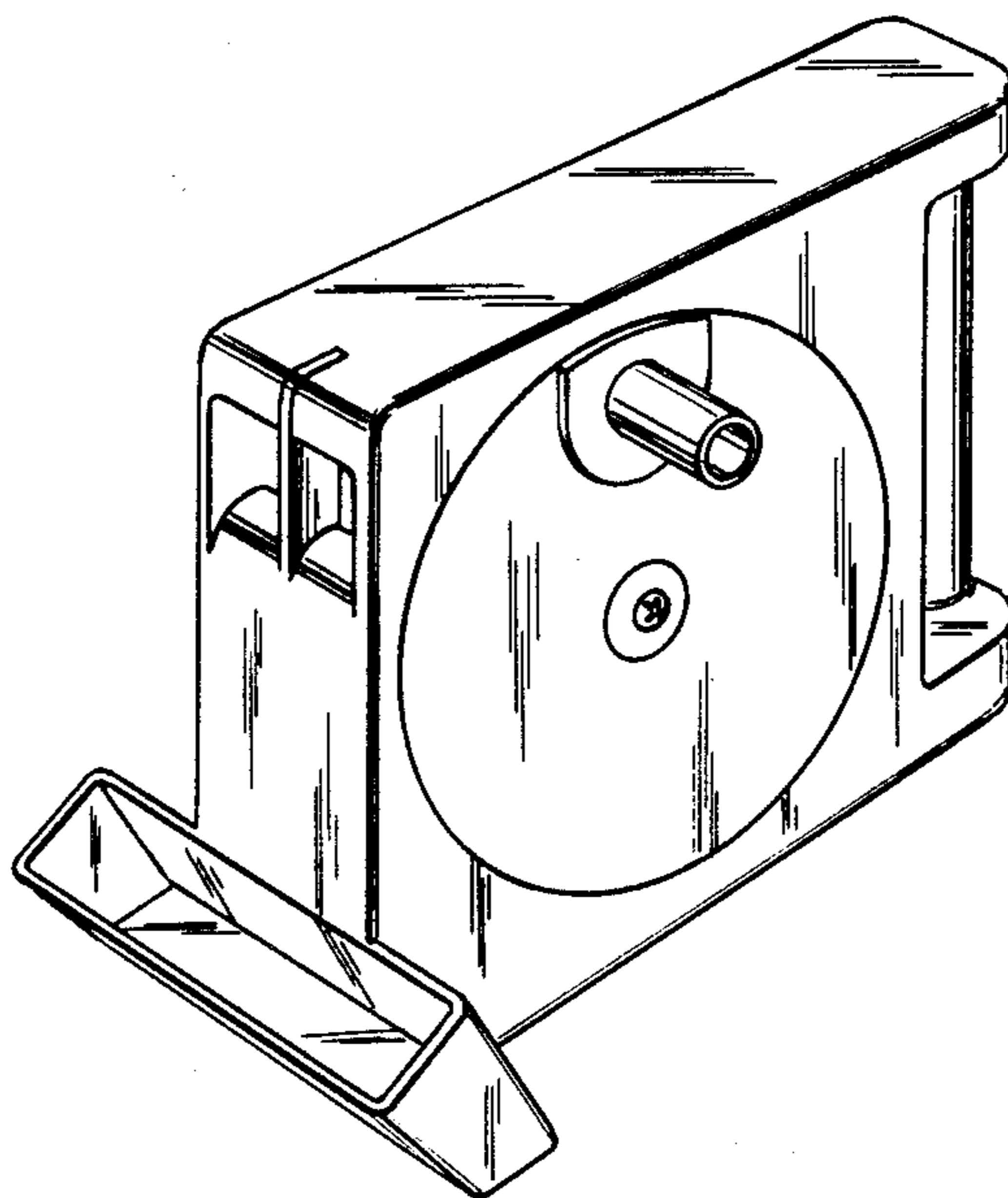


Fig. 1

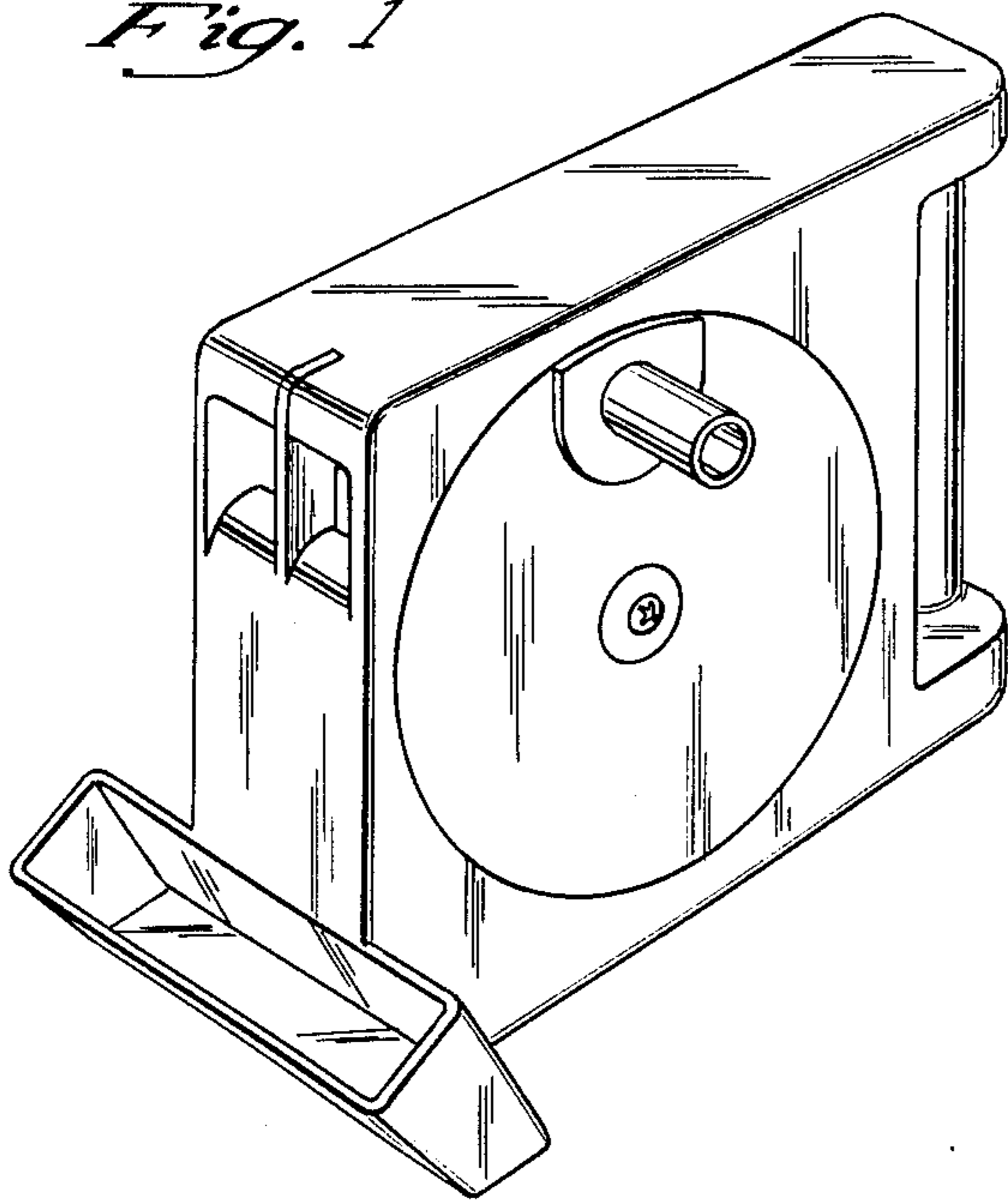


Fig. 2

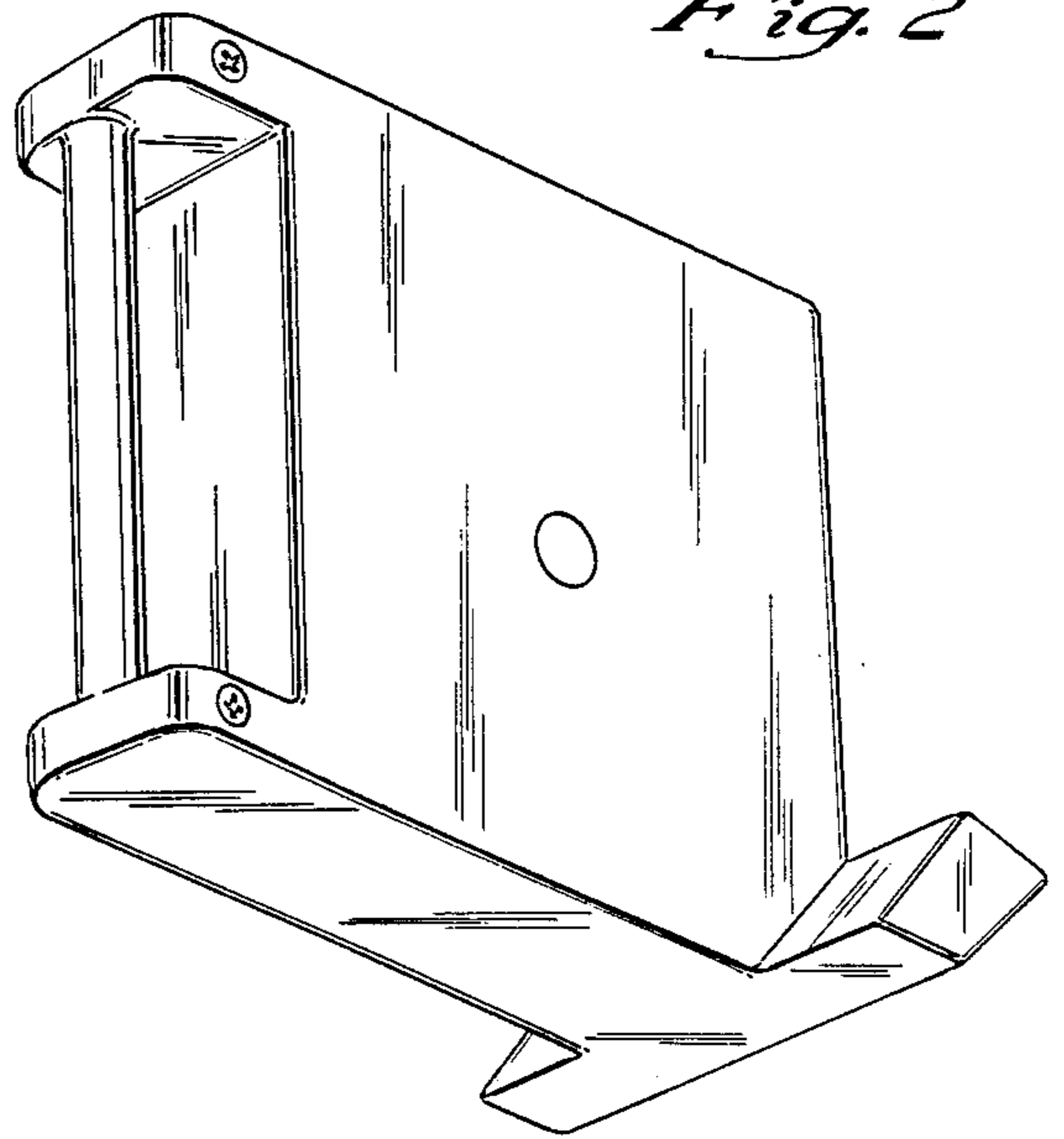


Fig. 4

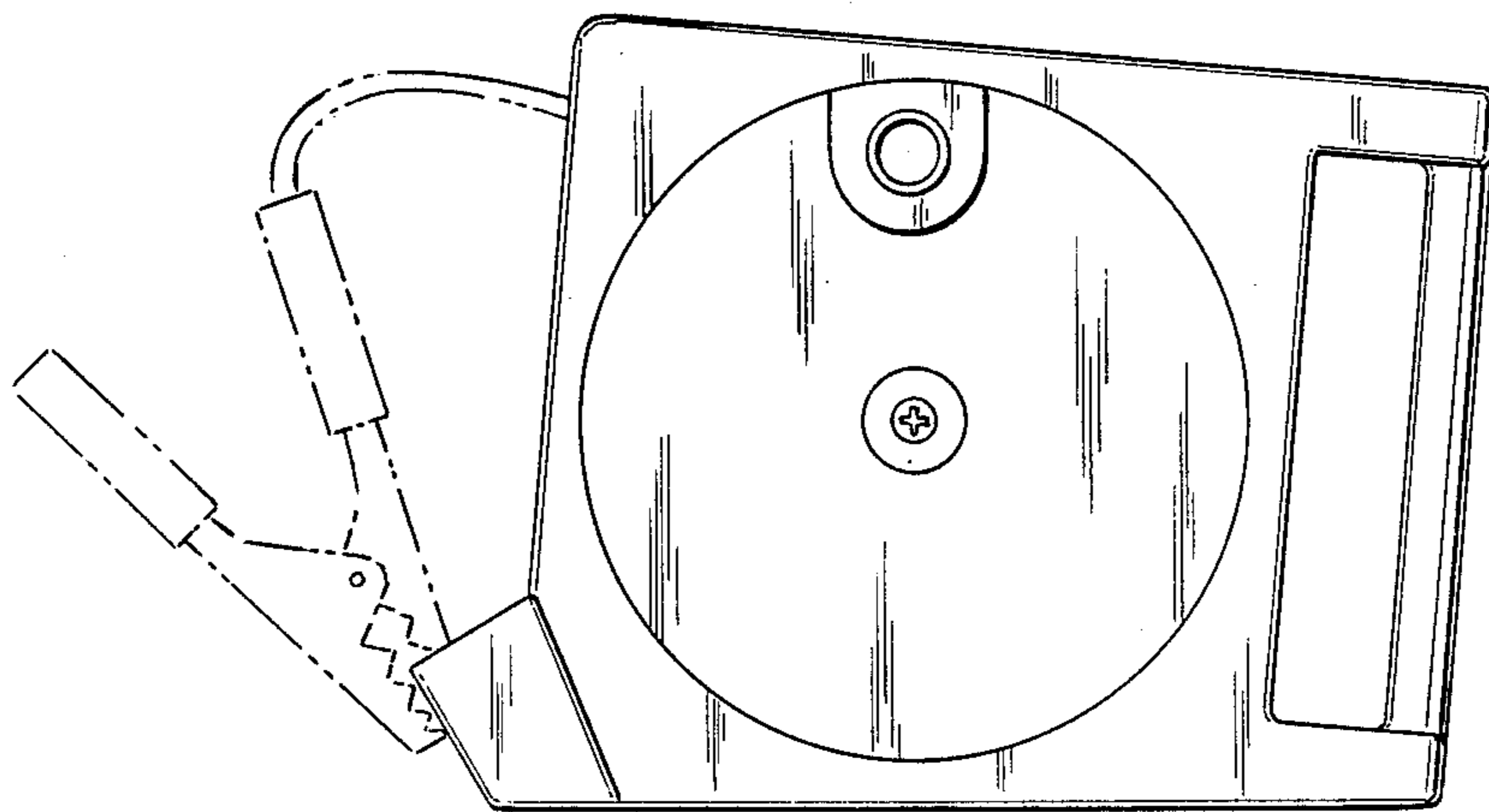
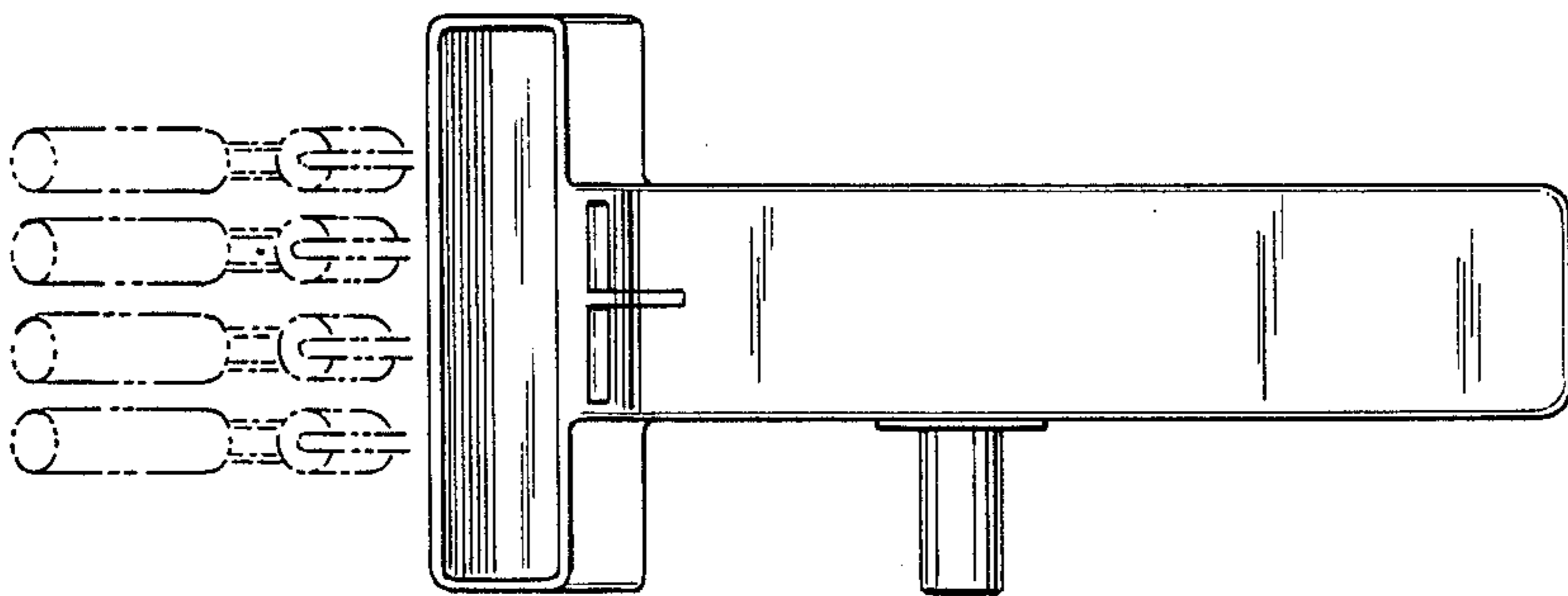


Fig. 3