

- [54] RECHARGEABLE BATTERY PACK FOR KITCHEN APPLIANCE
- [75] Inventors: James A. Hedrington, Chippewa Falls; Roger L. Kelly, Eau Claire, both of Wis.
- [73] Assignee: National Presto Industries, Inc., Eau Claire, Wis.
- [**] Term: 14 Years
- [21] Appl. No.: 256,929
- [22] Filed: Oct. 12, 1988
- [52] U.S. Cl. D13/110
- [58] Field of Search D13/8, 10, 4; 310/50; 320/27; 429/48, 54, 96, 97, 99, 121, 122, 160, 163, 176, 178, 187

3,999,110	12/1976	Ramstrem et al.	320/2
4,050,003	9/1977	Owings et al.	320/2
4,084,123	4/1978	Lineback et al.	320/2
4,593,461	6/1986	Thiele et al.	429/99
4,616,169	10/1986	Proffitt	320/2

Primary Examiner—Susan J. Lucas
 Assistant Examiner—Joel Sincavage
 Attorney, Agent, or Firm—Merchant, Gould, Smith, Edell, Welter & Schmidt

[57] CLAIM

The ornamental design for a rechargeable battery pack for kitchen appliance, as shown and described.

DESCRIPTION

FIG. 1 is a view in perspective from the top, one side and one end of a rechargeable battery pack for kitchen appliance showing our new design;
 FIG. 2 is a front end elevational view thereof;
 FIG. 3 is a rear end elevational view thereof;
 FIG. 4 is a left side elevational view thereof, the right side being a mirror image;
 FIG. 5 is a top plan view thereof; and
 FIG. 6 is a bottom plan view thereof.

- [56] References Cited
- U.S. PATENT DOCUMENTS
- D. 236,493 8/1975 Kaye D13/8
- 3,533,119 10/1970 Dokos 15/22
- 3,757,194 9/1973 Weber et al. 320/2
- 3,883,789 5/1975 Achenbach et al. 320/2

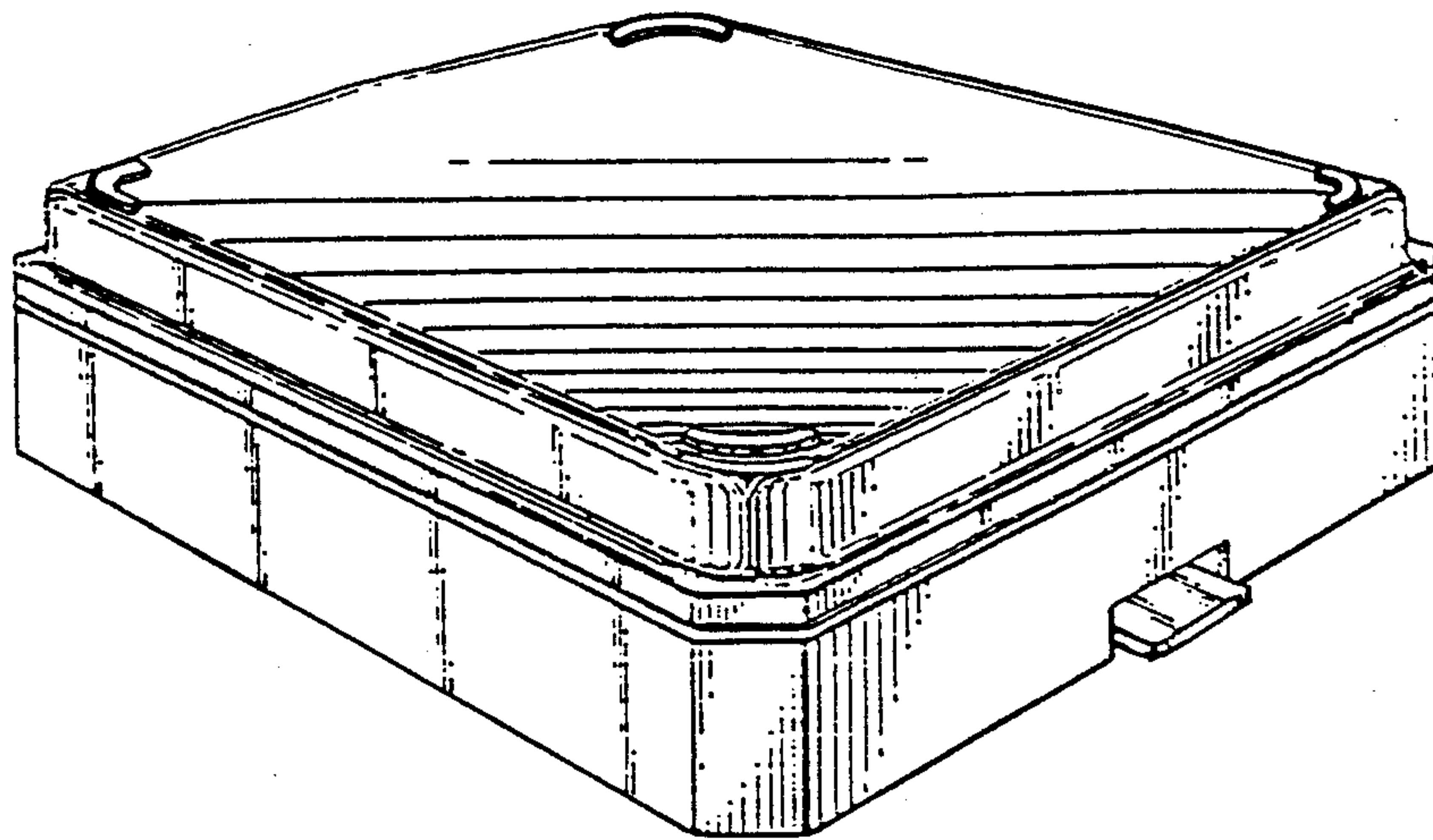


FIG. 1

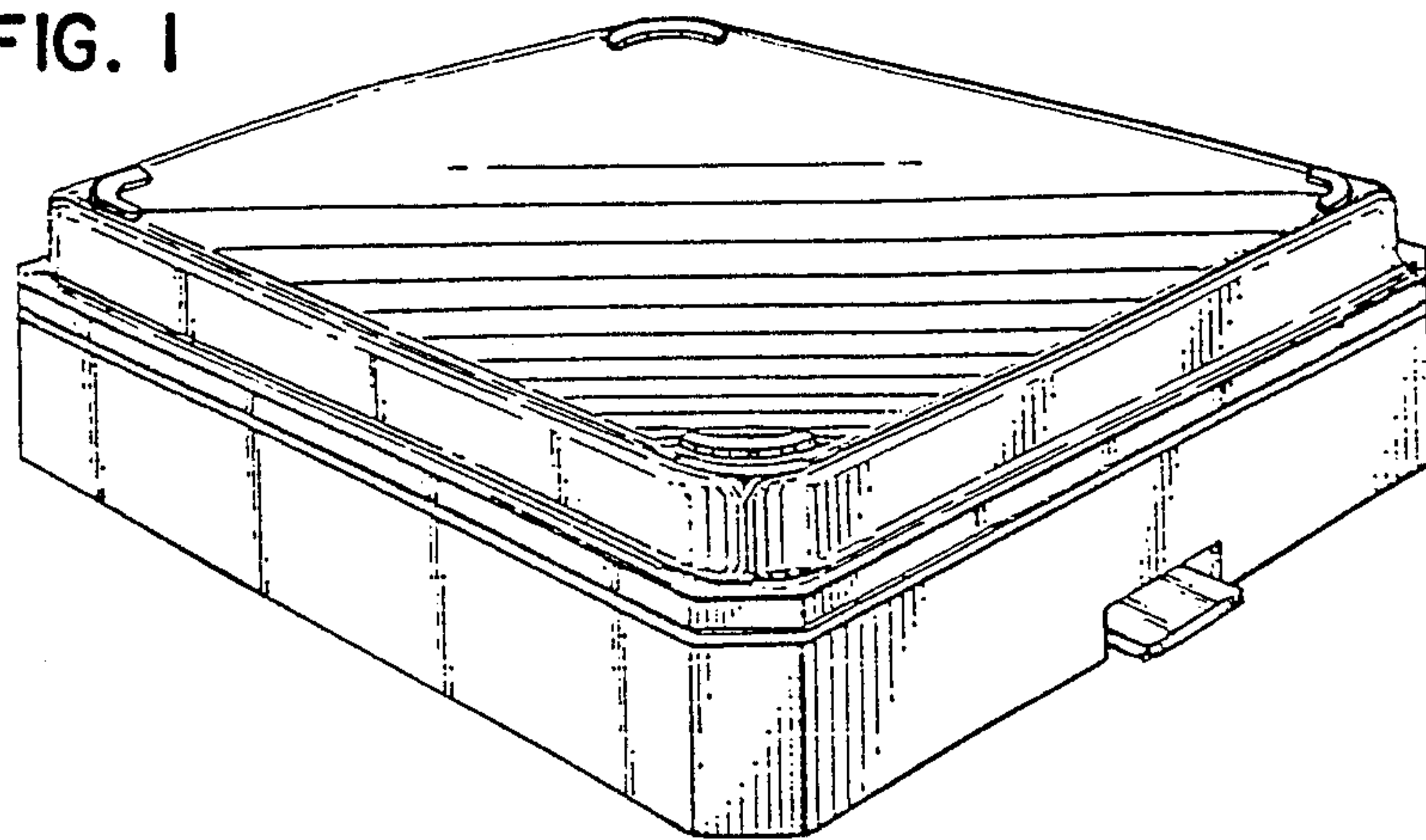


FIG. 2

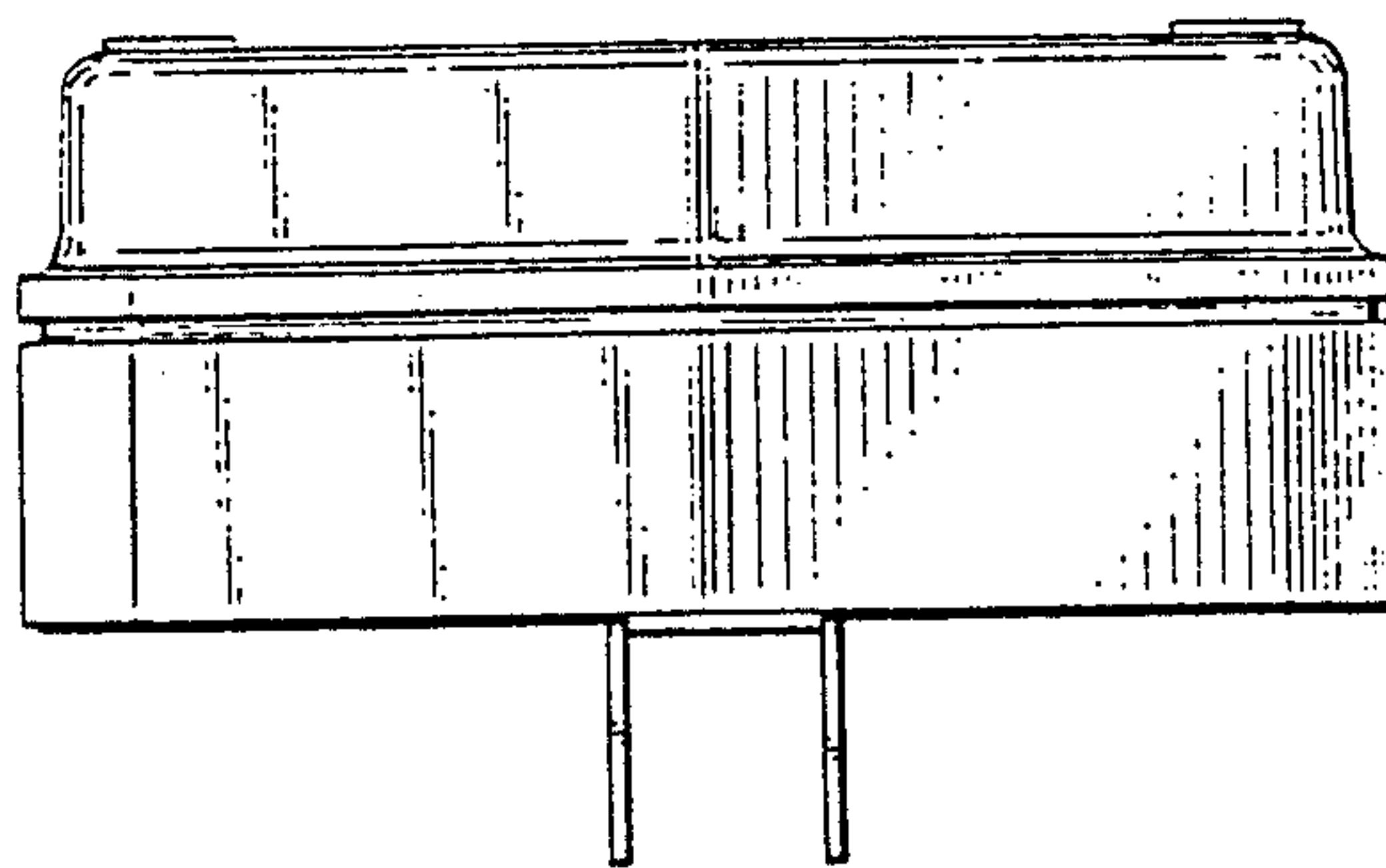


FIG. 3

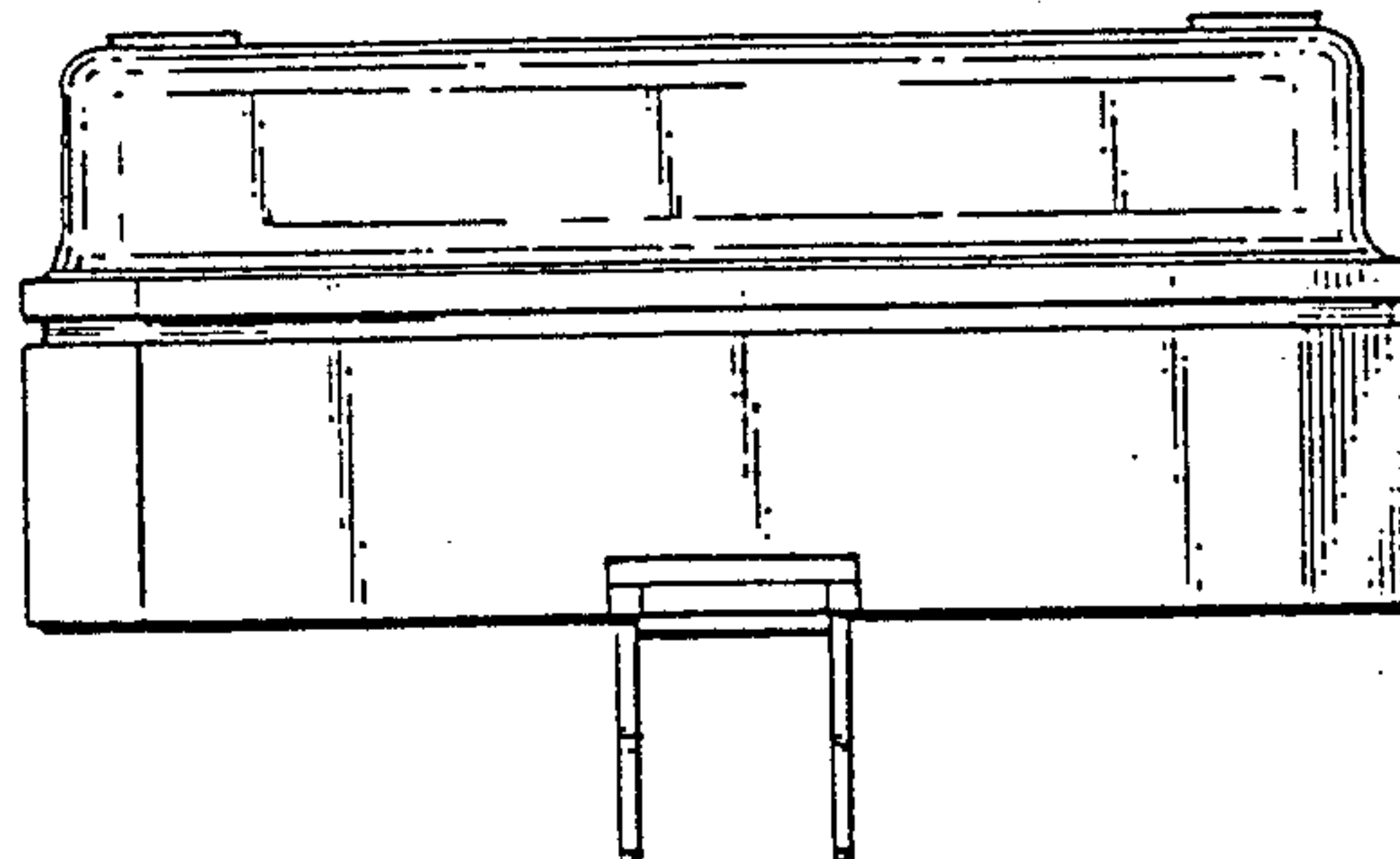


FIG. 4

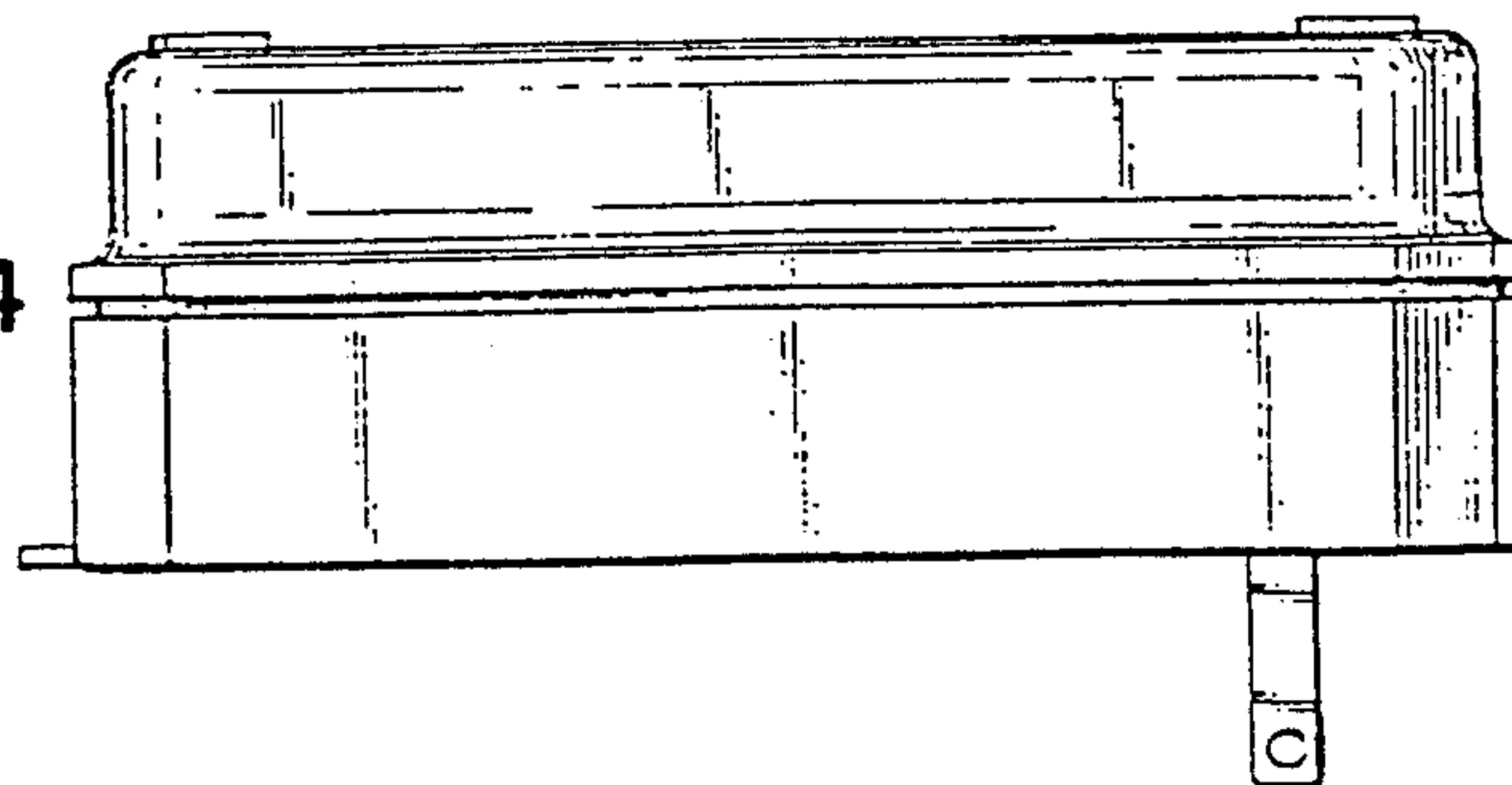


FIG. 5

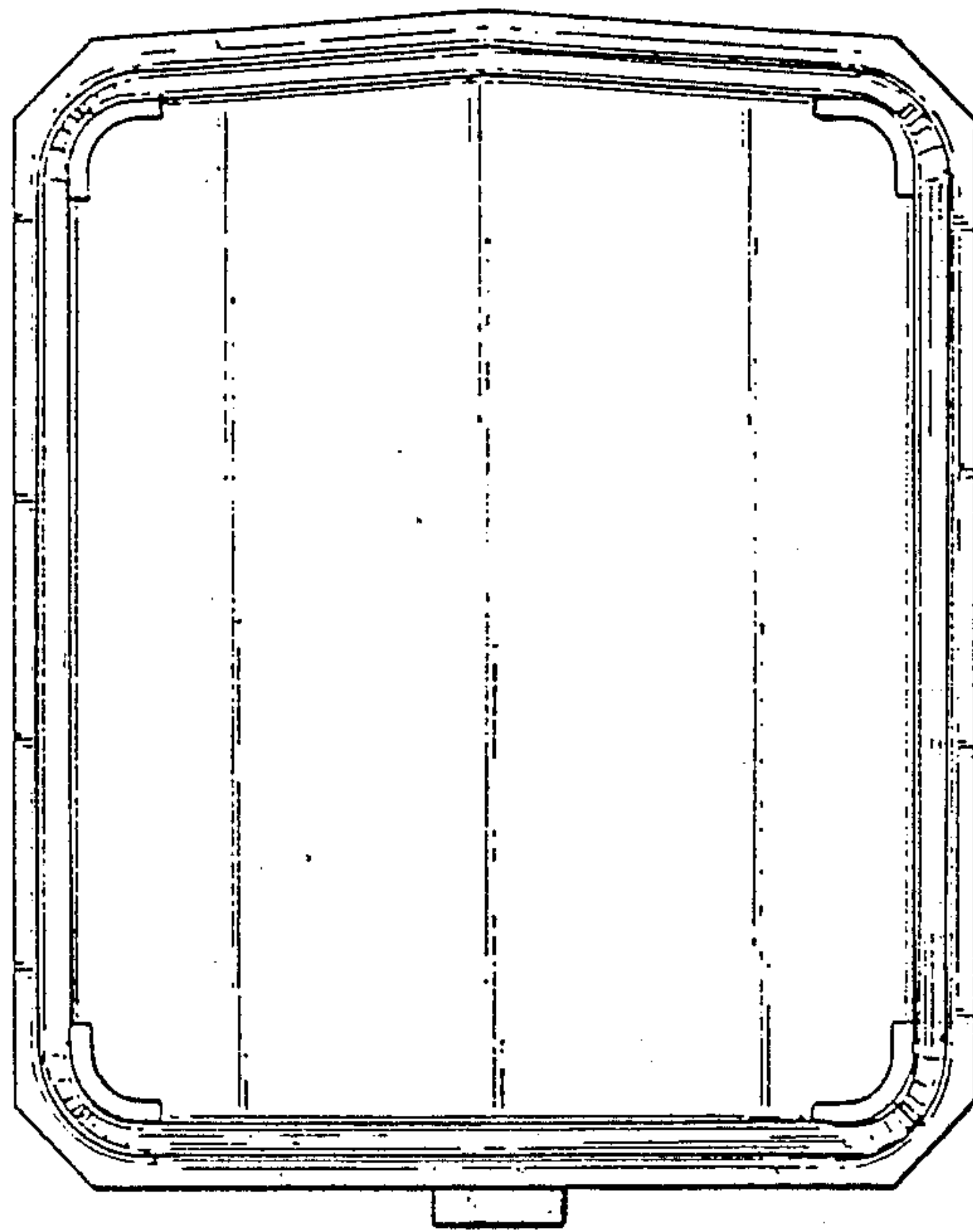


FIG. 6

