

[54] SET OF AUTOMOBILE WINDOW SWITCHES IN A COMMON HOUSING

[76] Inventor: Yoon-Gi Suck, Sinbanpo 7th Apartment 301-608, 130-17, Chamwon-Dong, Seocho-Ku, Seoul, Rep. of Korea

[\*\*] Term: 14 Years

[21] Appl. No.: 225,962

[22] Filed: Jul. 29, 1988

[30] Foreign Application Priority Data

Apr. 21, 1988 [KR] Rep. of Korea ..... 88-5478

[52] U.S. Cl. .... D13/171; D13/164

[58] Field of Search ..... D13/32, 38, 35; 200/276.1, 296, 341, 510, 520, 302.2, 51.16, 552, 5 R, 5 A, 18; 307/9.1

[56] References Cited

U.S. PATENT DOCUMENTS

3,673,357	6/1972	Molchan	200/5 A
3,927,283	12/1975	Kunimine	200/18 X
3,934,105	1/1976	Lockard	200/5 A X
4,196,322	4/1980	Hattori	200/5 R
4,609,791	9/1986	Abbat	200/5 A

FOREIGN PATENT DOCUMENTS

0244672	5/1963	Australia	200/5 R
2461729	3/1975	Fed. Rep. of Germany	200/5 R

OTHER PUBLICATIONS

Cherry Switch pictured in *Design News* issue 10-21-85, p. 162.

Primary Examiner—Susan J. Lucas  
Assistant Examiner—Joel Sincavage  
Attorney, Agent, or Firm—Beveridge, DeGrandi & Weilacher

[57] CLAIM

The ornamental design for a set of automobile window switches in a common housing, as shown and described.

DESCRIPTION

FIG. 1 is a perspective view of the set of automobile window switches in a common housing showing my new design;  
FIG. 2 is a left side elevational view thereof;  
FIG. 3 is a front elevational view thereof;  
FIG. 4 is a rear elevational view thereof;  
FIG. 5 is a bottom plan view thereof;  
FIG. 6 is a right side elevational view thereof;  
FIG. 7 is a top plan view thereof.

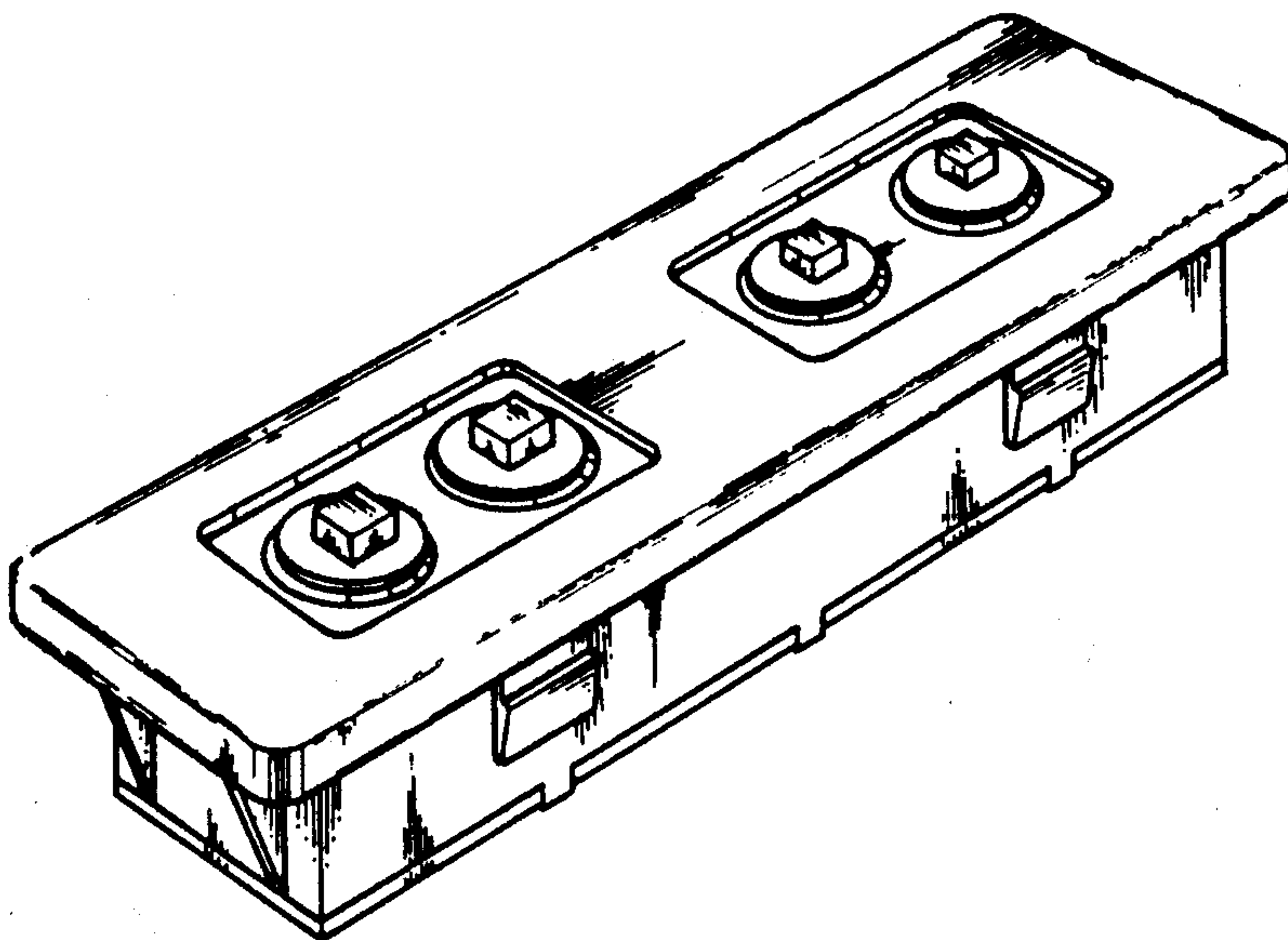


FIG 1

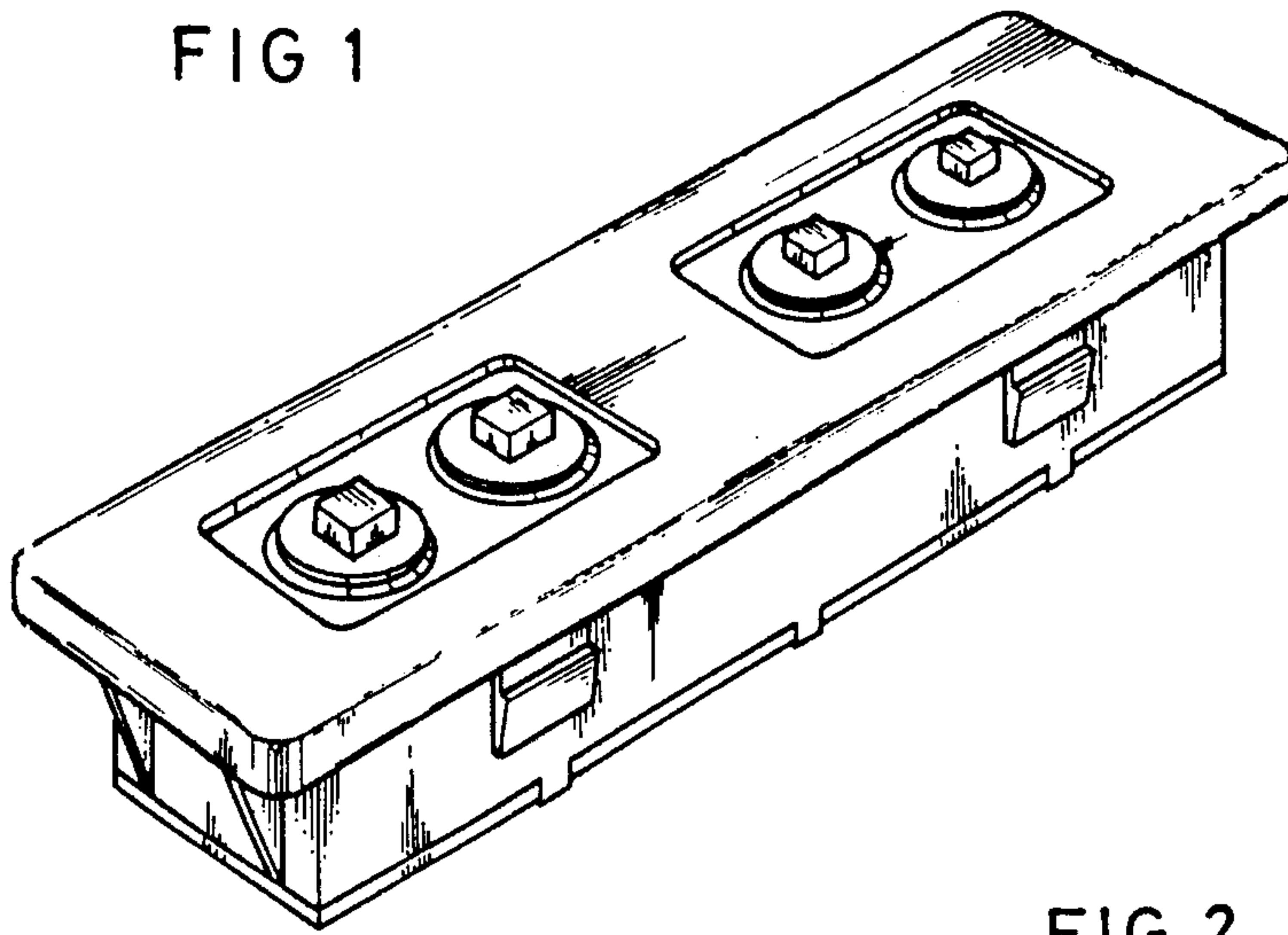


FIG 2

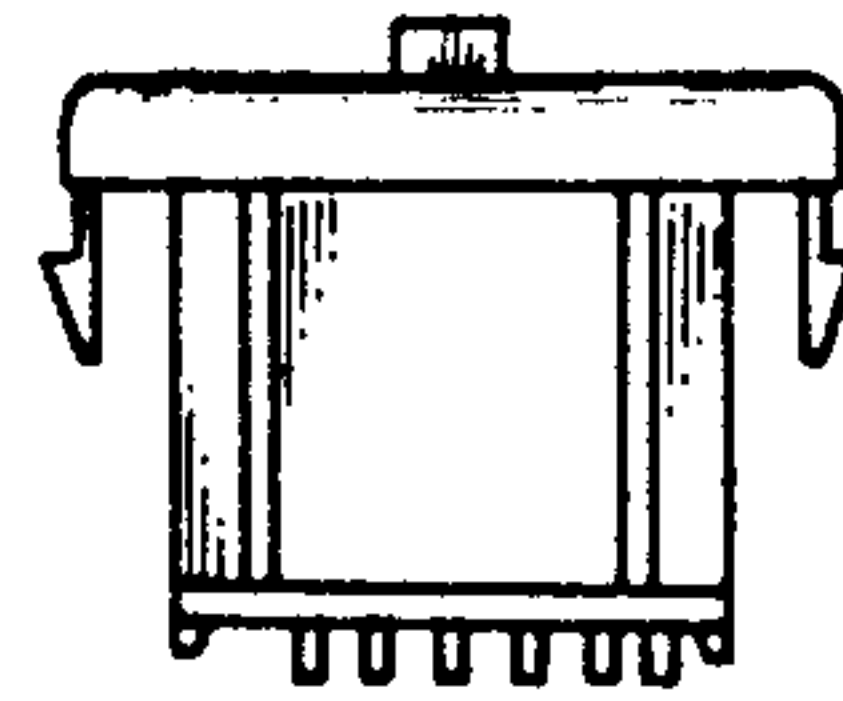


FIG 3

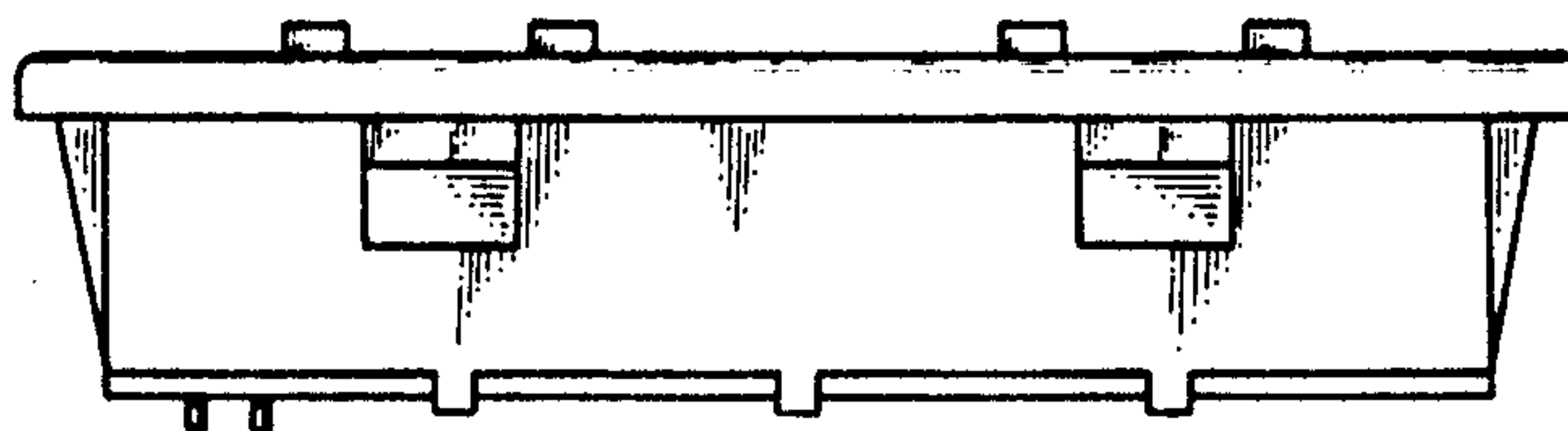


FIG 4

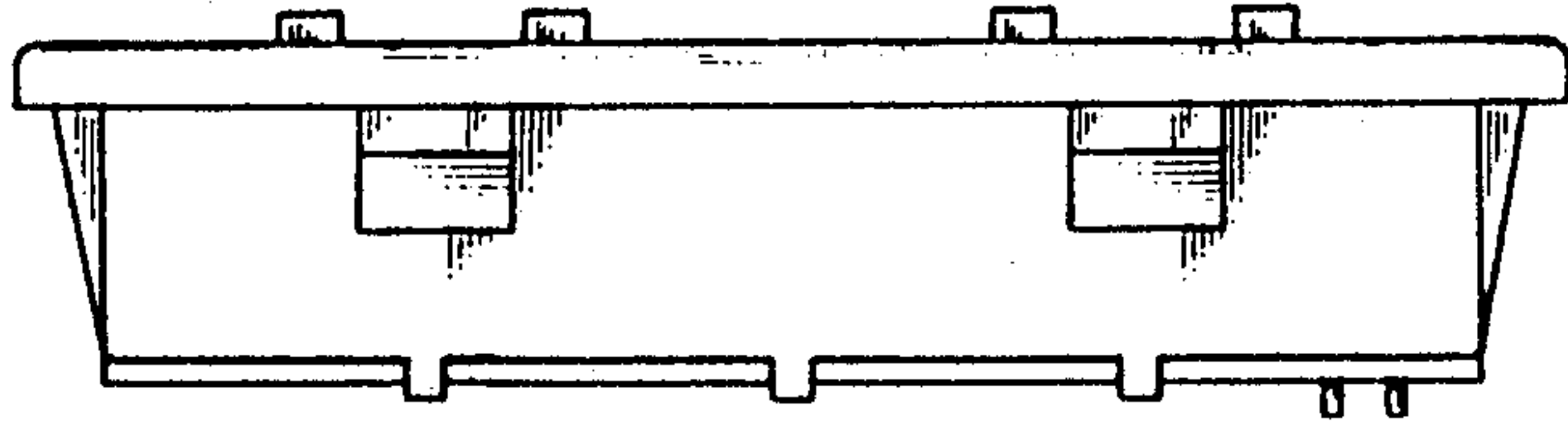


FIG 5

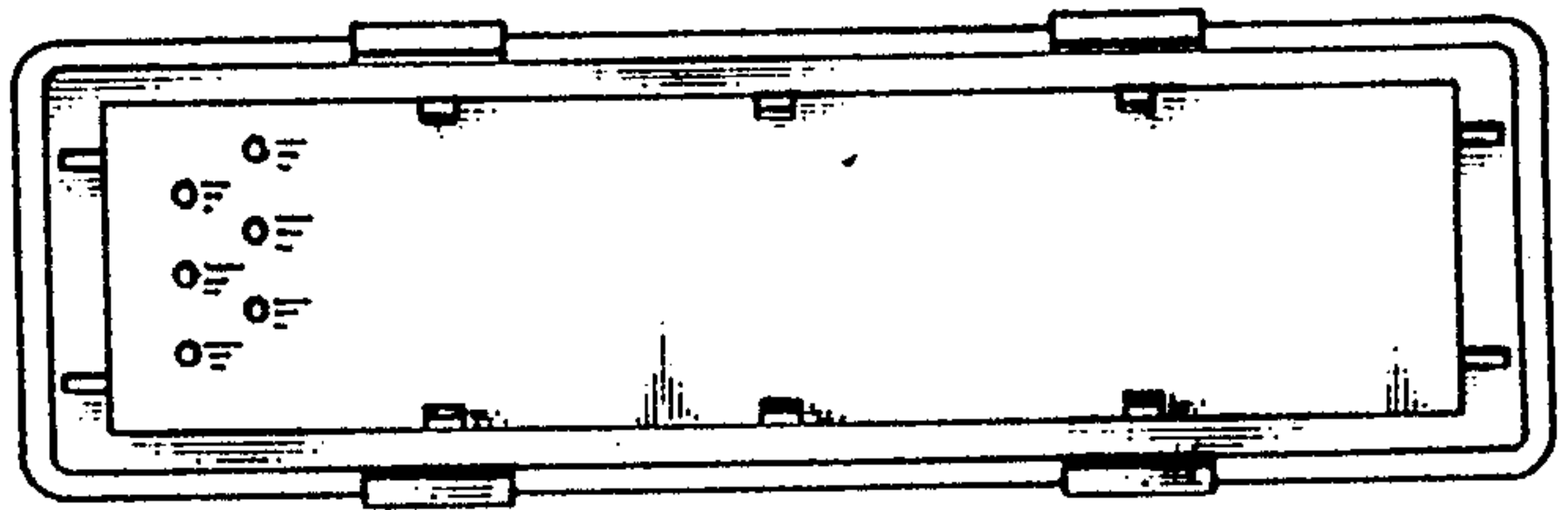


FIG 6

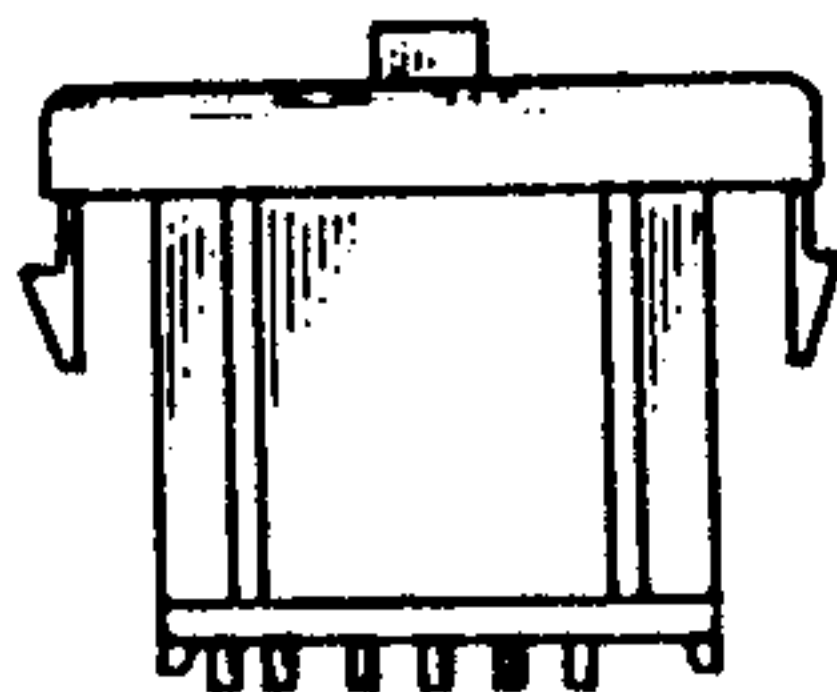


FIG 7

