

[54] SWITCH

[75] Inventor: W. Barry Krause, Spotsylvania, Va.

[73] Assignee: Tower Manufacturing Corporation, Providence, R.I.

[**] Term: 14 Years

[21] Appl. No.: 79,871

[22] Filed: Jul. 29, 1987

[52] U.S. Cl. D13/169

[58] Field of Search D13/32, 37; 200/295, 200/302.3, 310, 315, 339, 553

[56] References Cited

U.S. PATENT DOCUMENTS

- D. 248,980 8/1978 Friedman D13/32 X
- 4,359,611 11/1982 Haskins 200/339 X

FOREIGN PATENT DOCUMENTS

3664062 12/1973 Japan D13/37

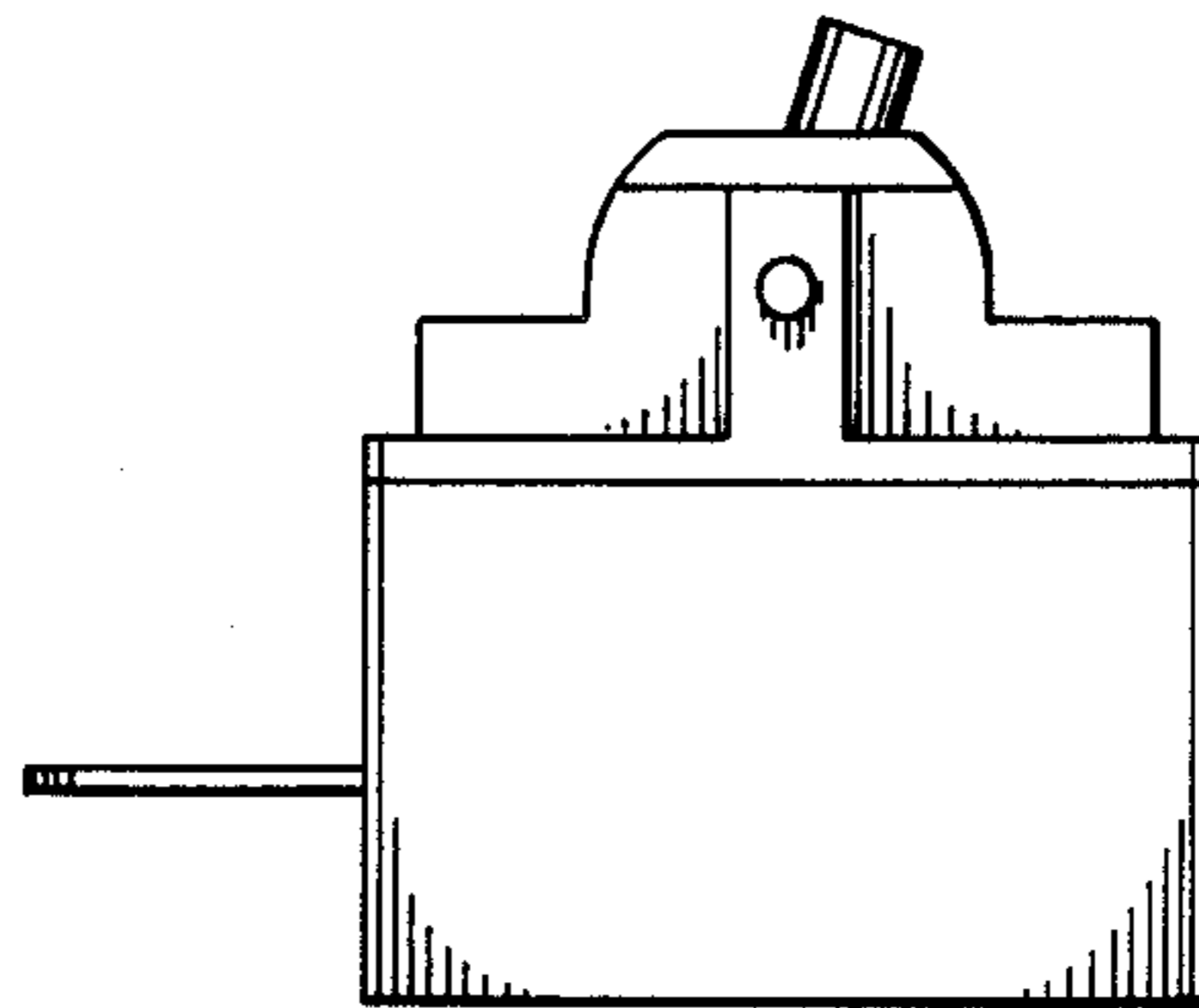
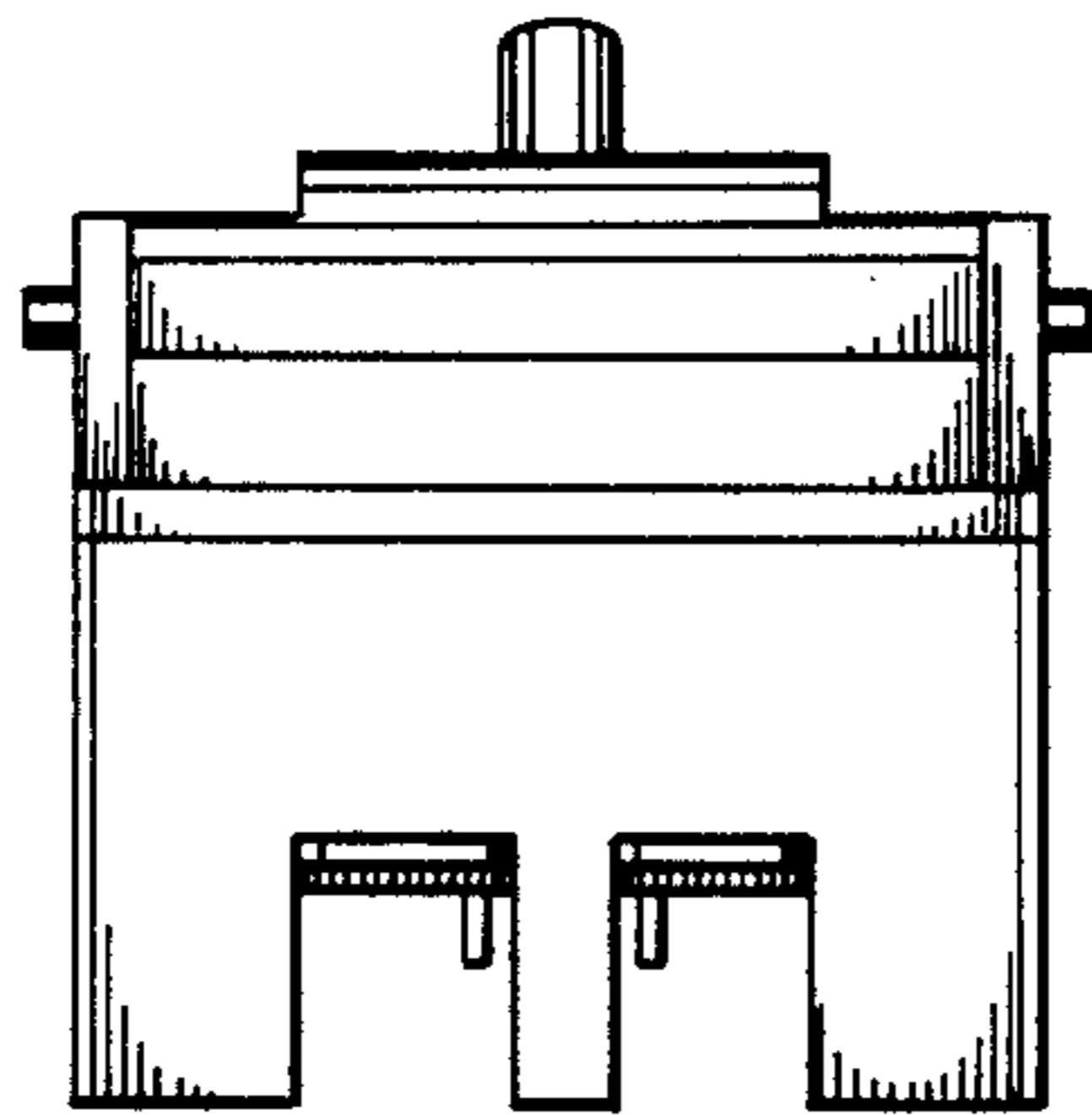
Primary Examiner—Susan J. Lucas
Assistant Examiner—Joel Sincavage
Attorney, Agent, or Firm—Salter & Michaelson

[57] CLAIM

The ornamental design for a switch, as shown and described.

DESCRIPTION

FIG. 1 is a rear elevational view of a switch showing my new design;
FIG. 2 is a side elevational view thereof, the opposite side elevational view being a mirror image;
FIG. 3 is a front elevational view thereof;
FIG. 4 is a top plan view thereof; and
FIG. 5 is a bottom plan view thereof.



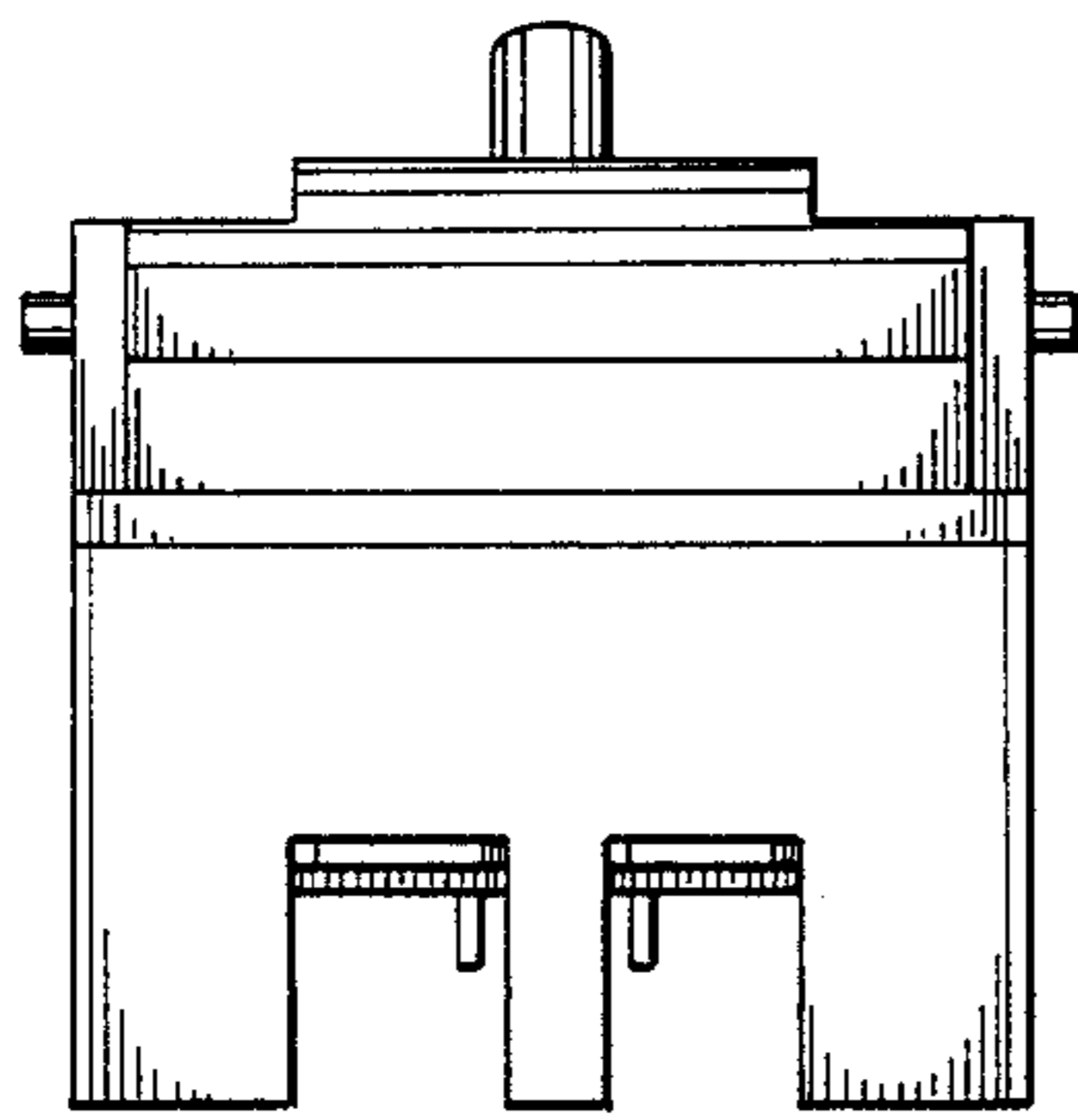


FIG. 1

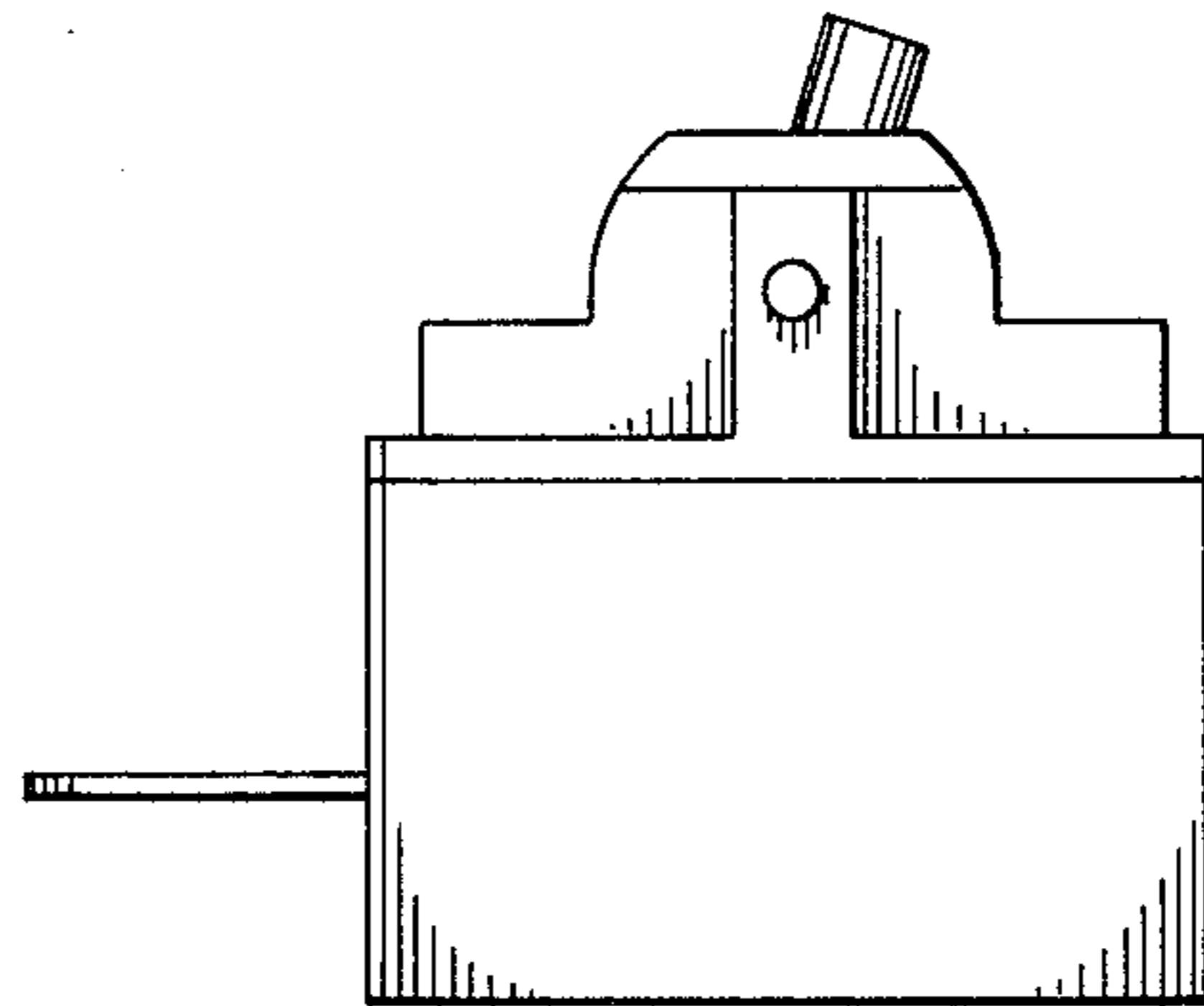


FIG. 2

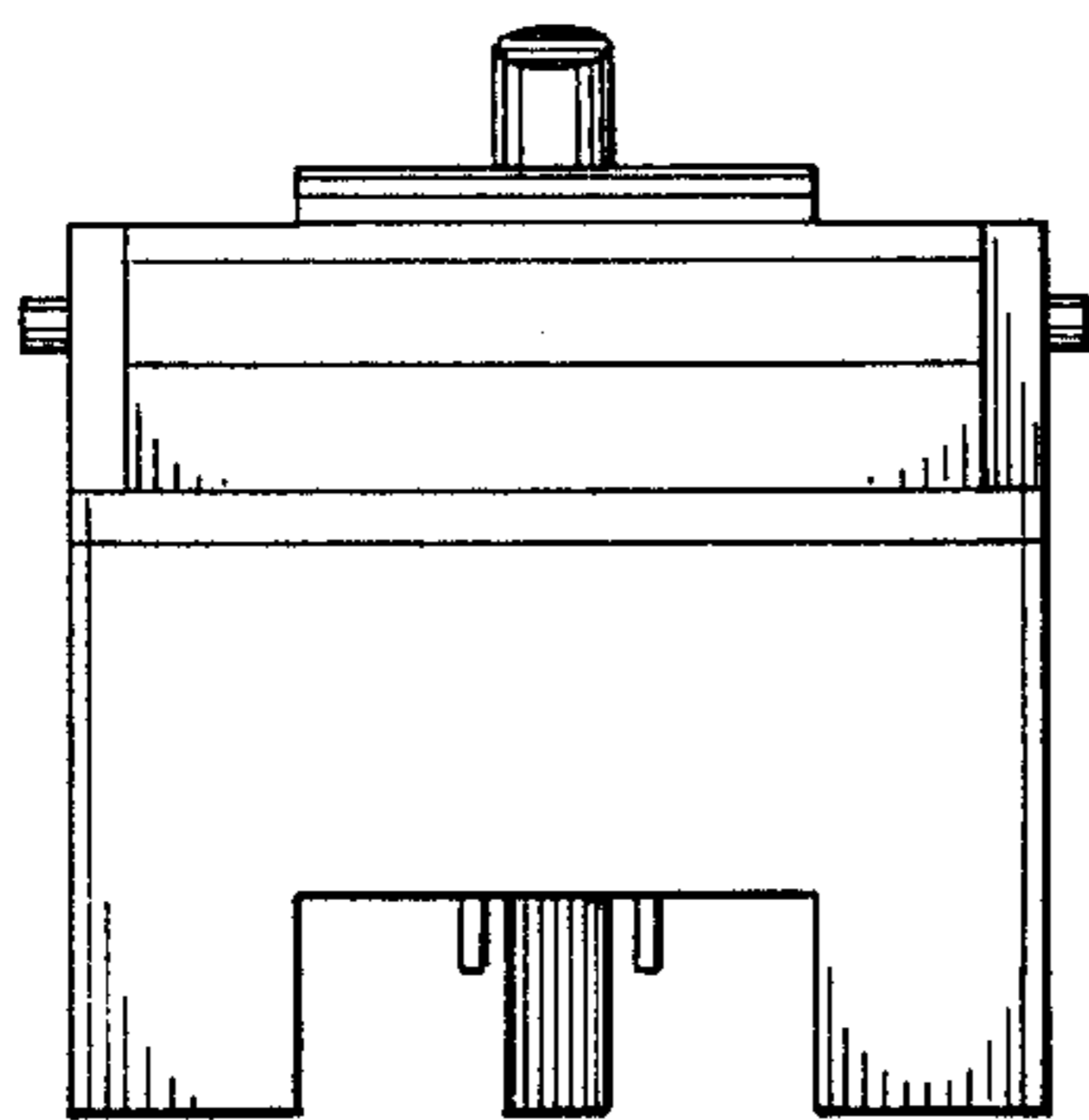


FIG. 3

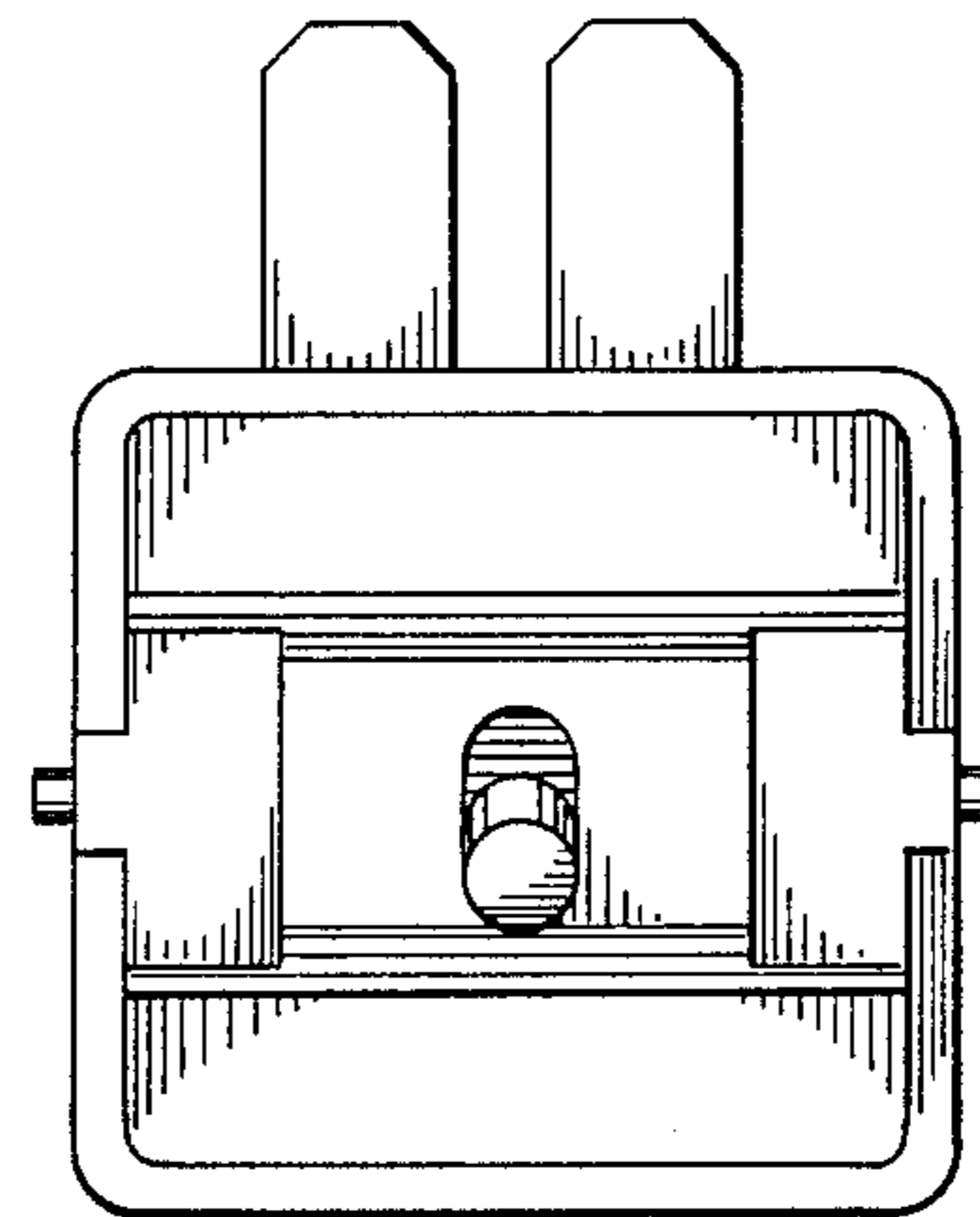


FIG. 4

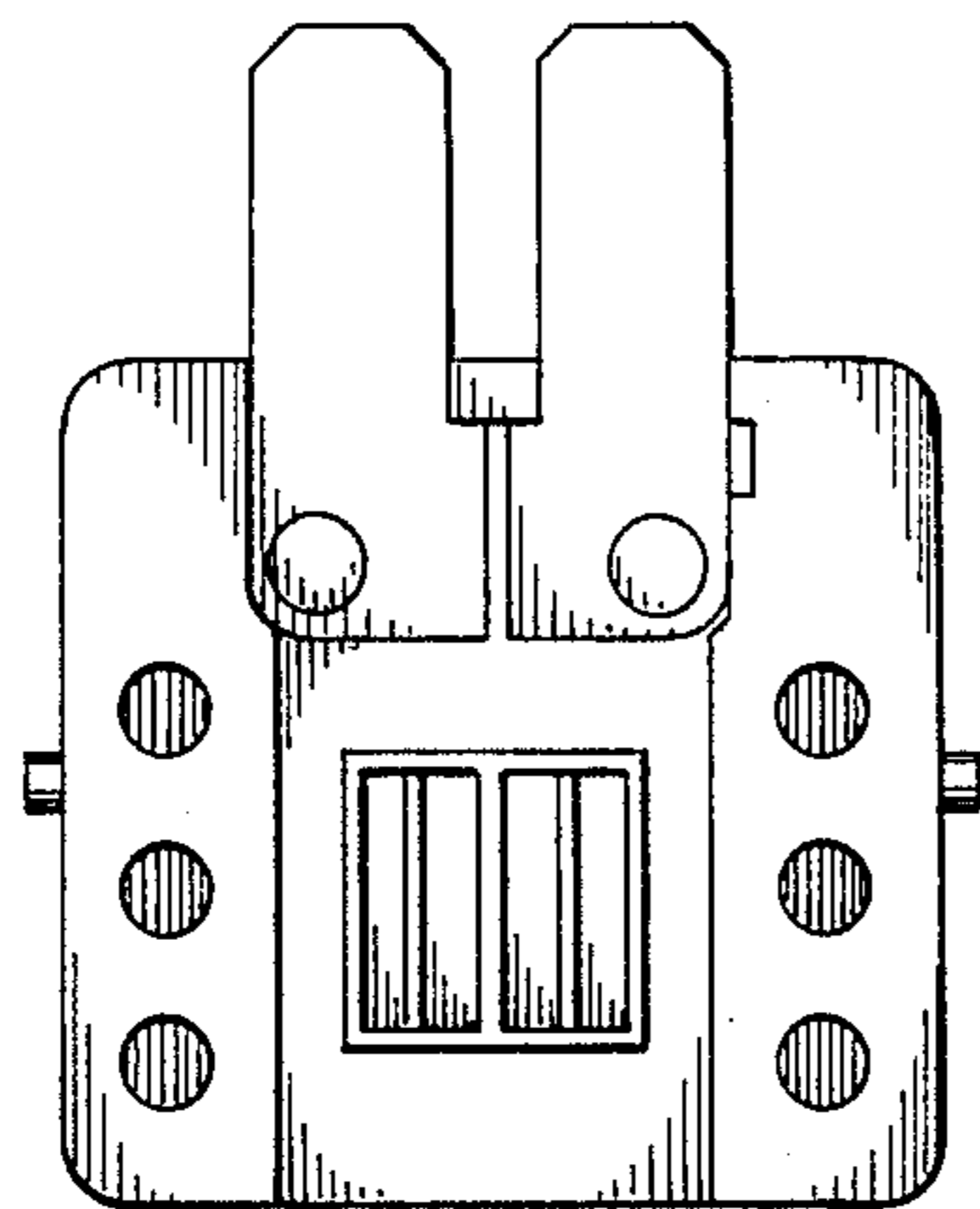


FIG. 5