

[54] BRAKE SHOE

[75] Inventor: Ray H. Herner, Brookville, Ohio

[73] Assignee: Mosier Industries Inc., Brookville, Ohio

[\*\*] Term: 14 Years

[21] Appl. No.: 169,334

[22] Filed: Mar. 16, 1988

[52] U.S. Cl. .... D12/180

[58] Field of Search ..... D12/180; 188/24.12, 188/24.13, 24.14

[56] References Cited

U.S. PATENT DOCUMENTS

D. 281,874 12/1985 King ..... D12/180

FOREIGN PATENT DOCUMENTS

0556268 6/1958 Italy ..... 188/24.12

OTHER PUBLICATIONS

American Bicyclist & Motorcyclist, Jul. 1987, p. 14, Fibrax Brake Shoe Blocks on lower right-hand corner.

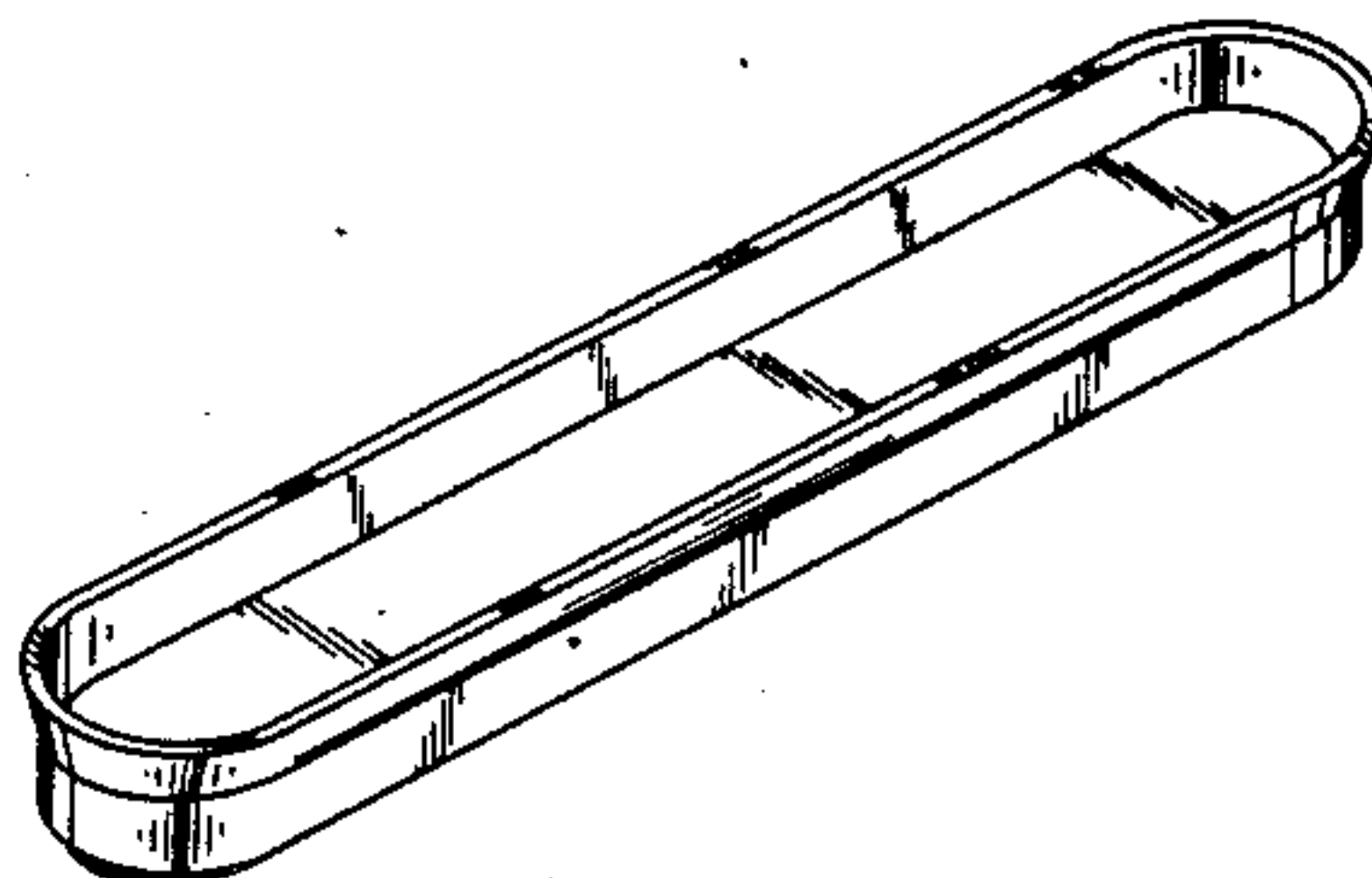
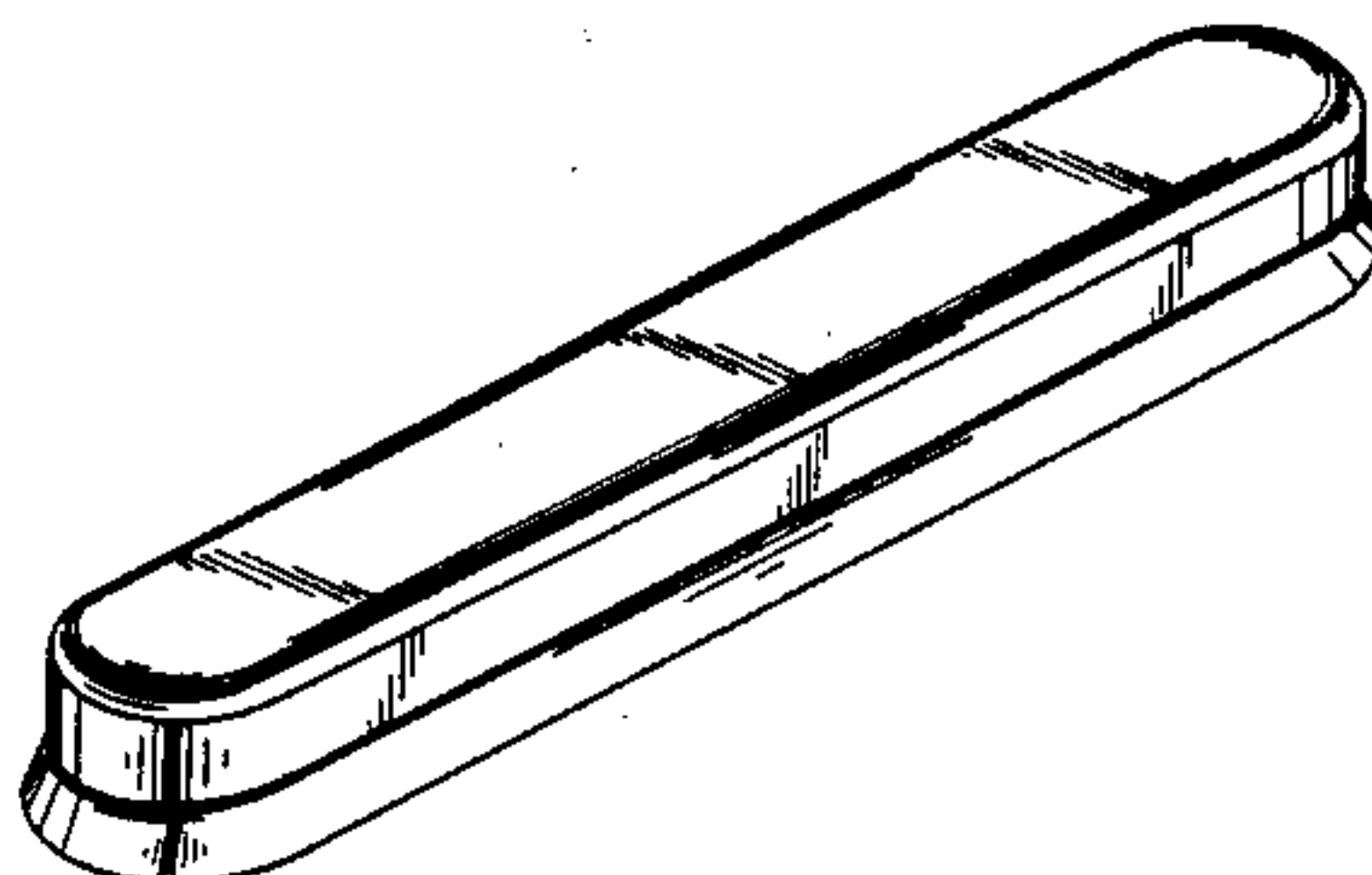
Primary Examiner—James M. Gandy  
Assistant Examiner—Melody Brown  
Attorney, Agent, or Firm—Jerome P. Bloom

[57] CLAIM

The ornamental design for a brake shoe, as shown.

DESCRIPTION

FIG. 1 is a side elevation view of a brake shoe showing my new design;  
FIG. 2 is a bottom plan view thereof;  
FIG. 3 is a top plan view thereof;  
FIG. 4 is a view of one end thereof;  
FIG. 5 is a view of the opposite end thereof;  
FIG. 6 is a top perspective view thereof; and  
FIG. 7 is a bottom perspective view thereof.



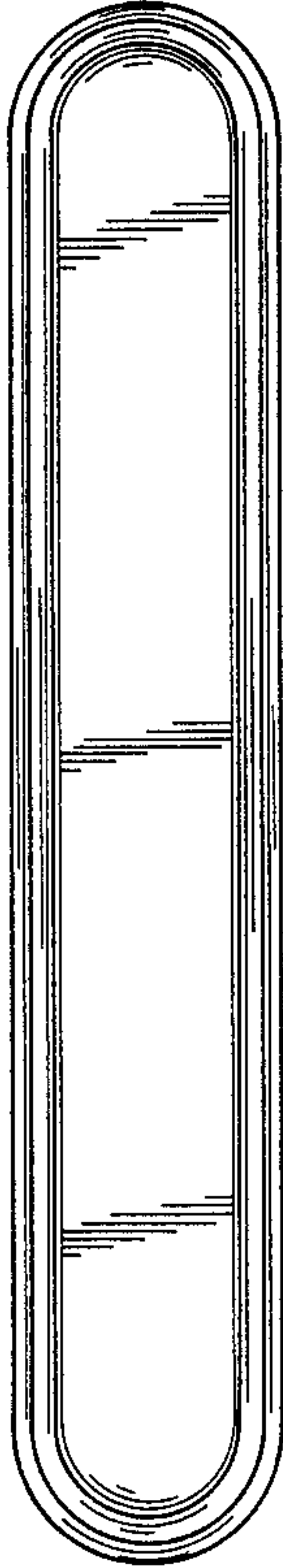


FIG. 2



FIG. 1

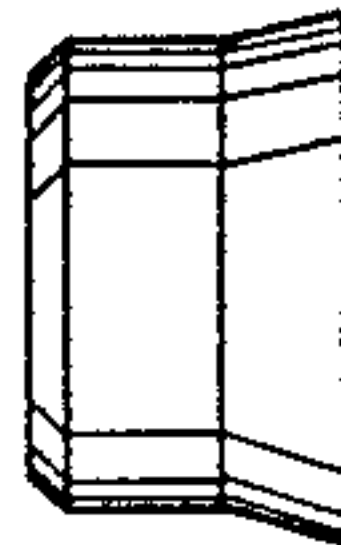


FIG. 4

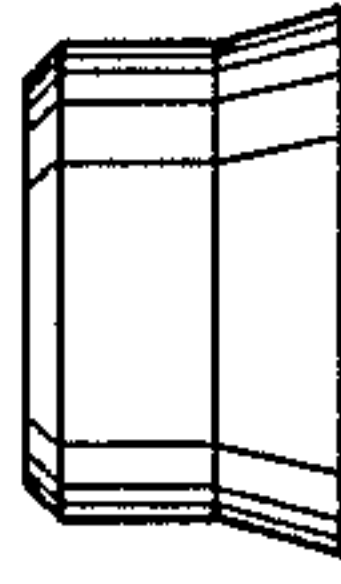


FIG. 5

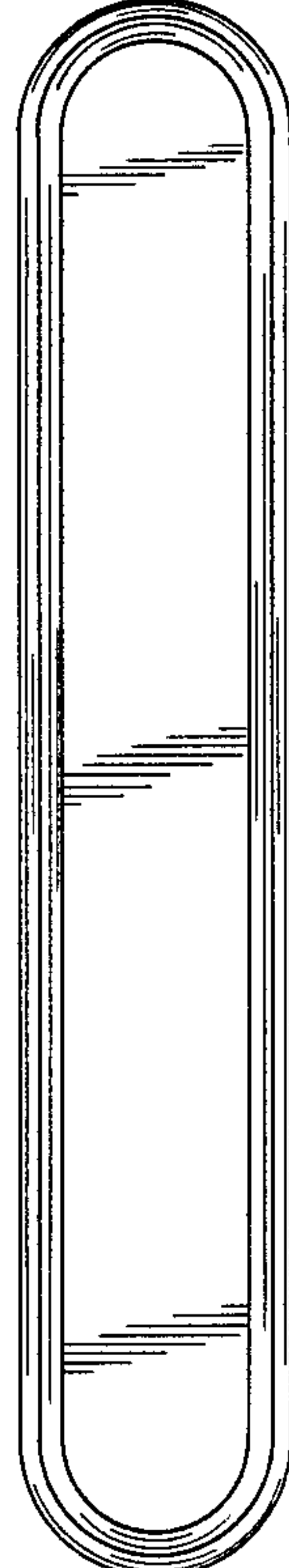


FIG. 3

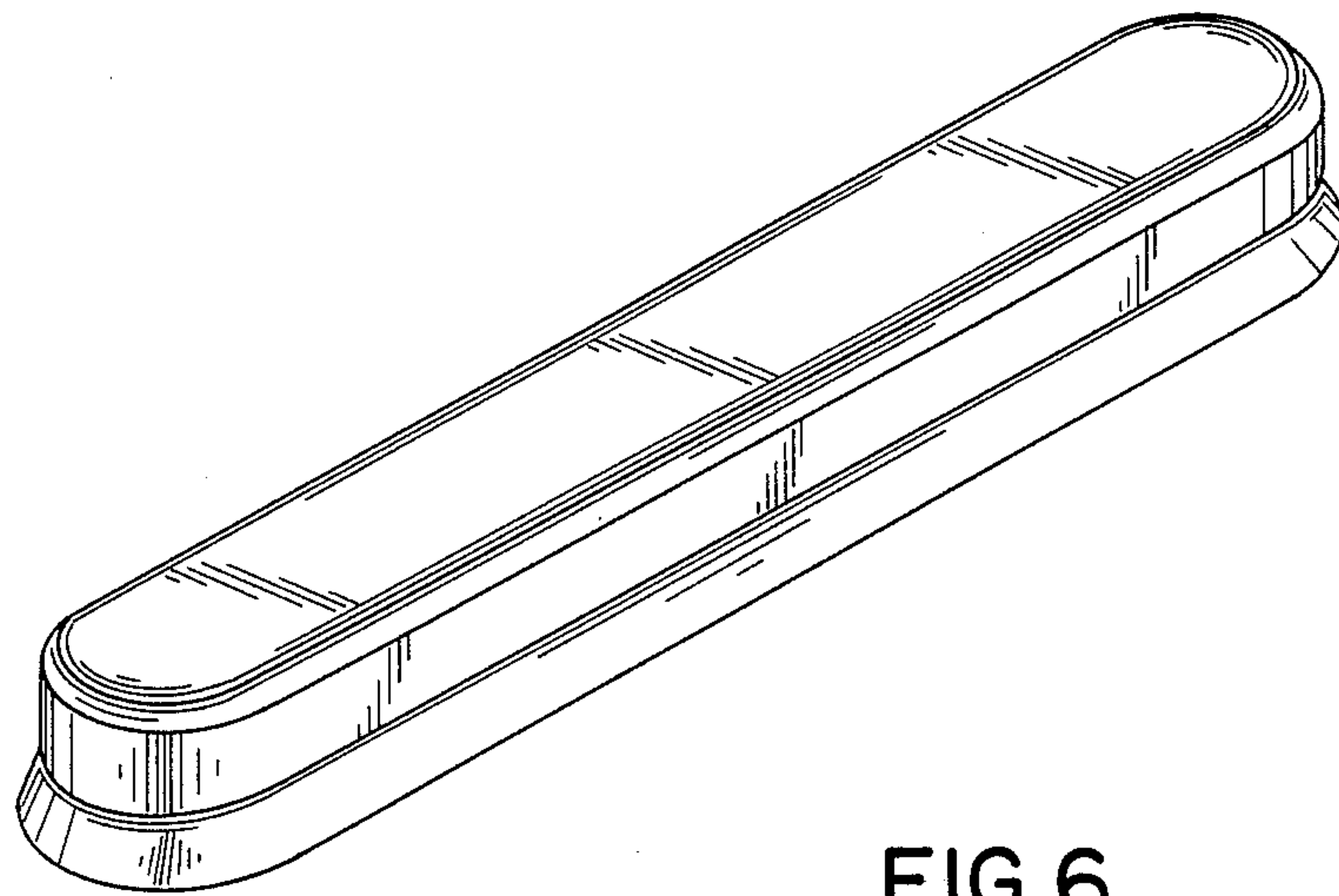


FIG. 6

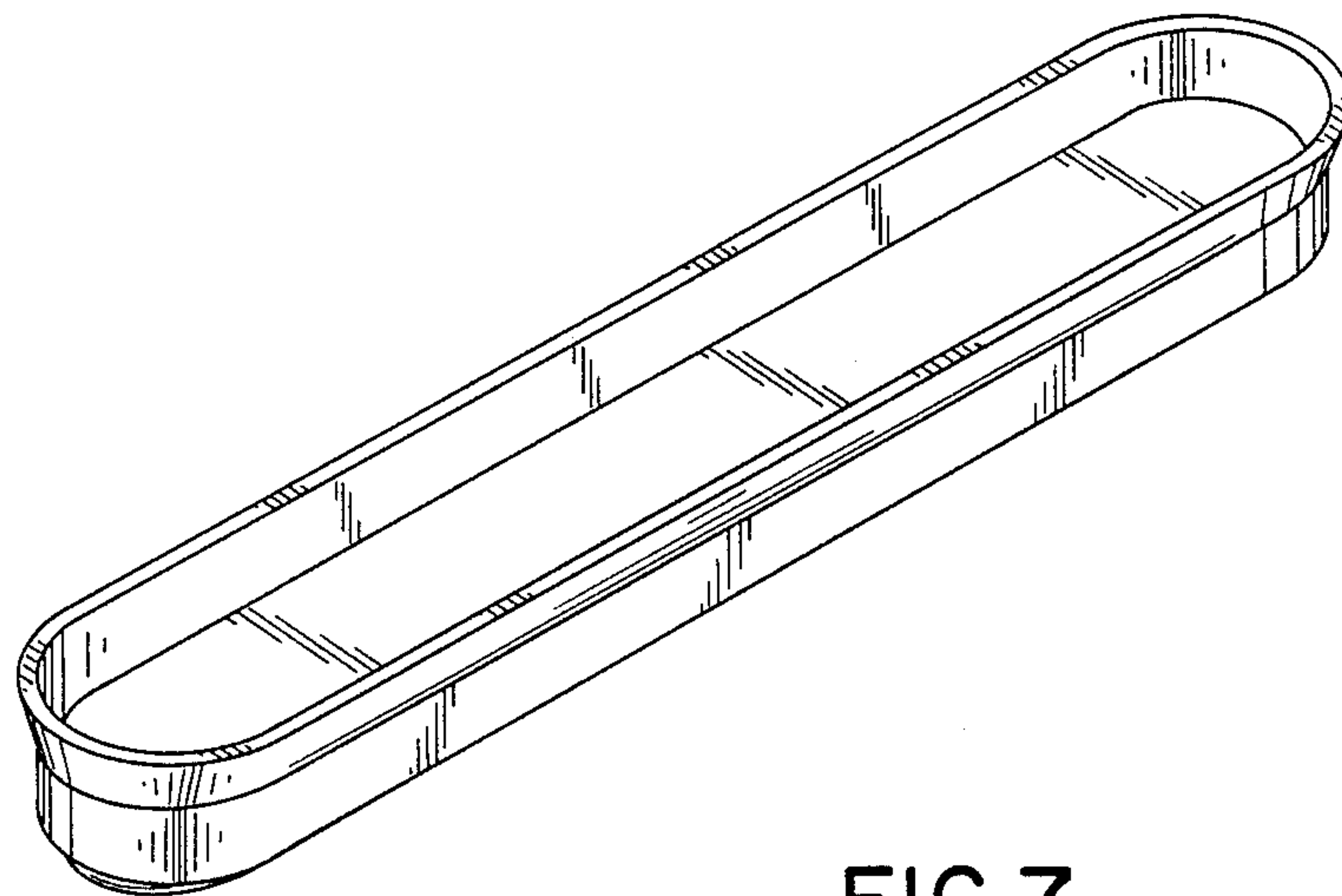


FIG. 7