

[54] **BUMPER GUARD FOR PUSH BARS**

[76] **Inventor: Daniel J. McNamara, 3306 Viola Dr., Riverside, Calif. 92501**

[*] **Notice: The portion of the term of this patent subsequent to Aug. 28, 2004 has been disclaimed.**

[**] **Term: 14 Years**

[21] **Appl. No.: 93,382**

[22] **Filed: Sep. 4, 1987**

[52] **U.S. Cl. D12/167**

[58] **Field of Search D12/167, 171, 172; 293/142, 143, 123, 102**

[56] **References Cited**

U.S. PATENT DOCUMENTS

1,881,231	10/1932	Jackson	293/143
2,086,396	7/1937	Taff	293/143
2,624,607	1/1953	Weigand	293/143

FOREIGN PATENT DOCUMENTS

1184255 2/1959 France 293/143

Primary Examiner—James M. Gandy
Attorney, Agent, or Firm—Harvey S. Hertz

[57] **CLAIM**

The ornamental design for a bumper guard for push bars, as shown and described.

DESCRIPTION

FIG. 1 is a left front perspective view of a bumper guard for push bars, showing my new design, it being understood that the broken lines are for illustrative purposes only and form no part of the claimed design; FIG. 2 is an enlarged left side elevational view thereof, the right side being a mirror image of that shown; FIG. 3 is a front elevational view of FIG. 2; FIG. 4 is a rear elevational view of FIG. 2; and FIG. 5 is a bottom plan view of FIG. 2, the top being identical thereto.

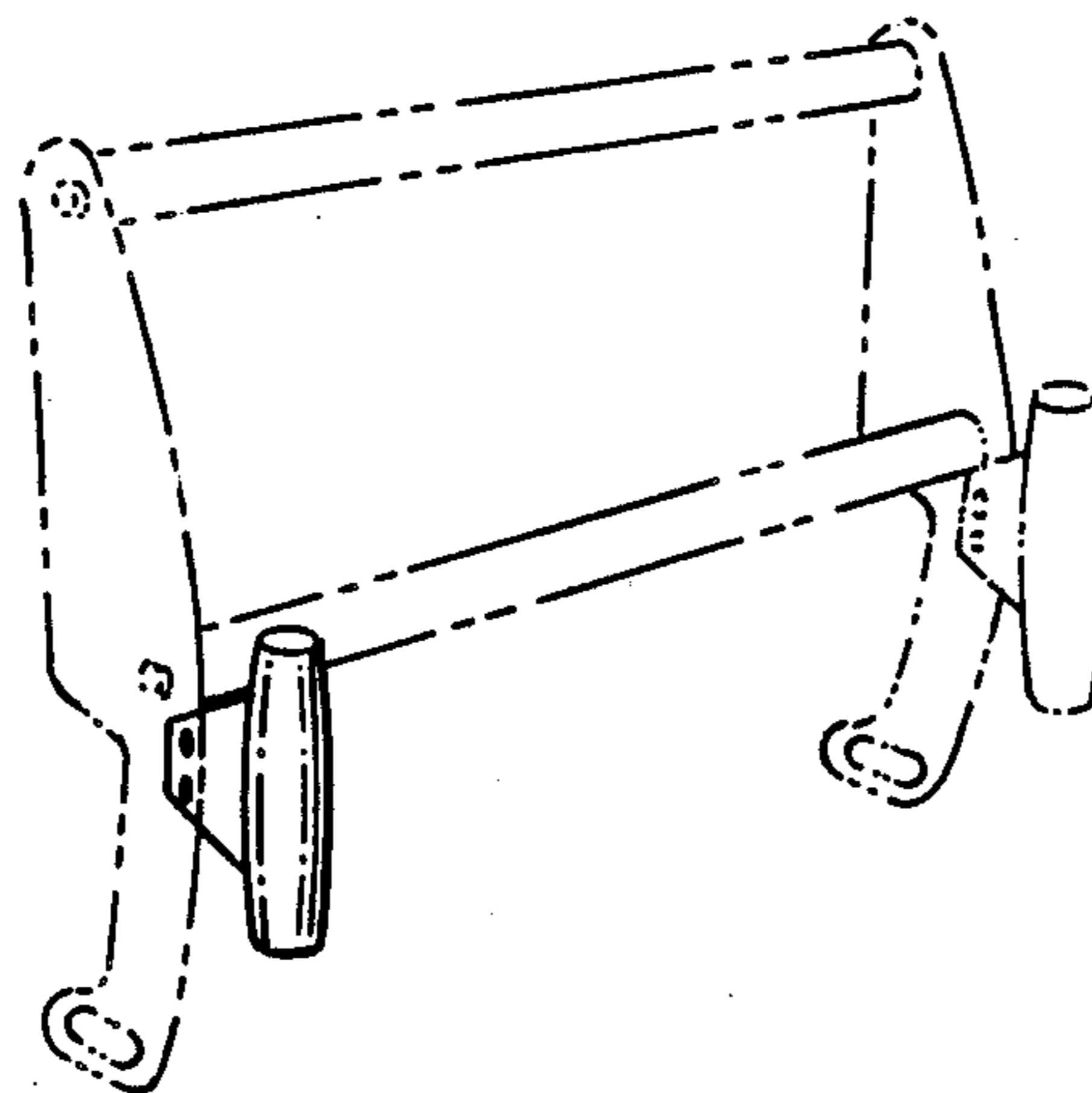


FIG. 1

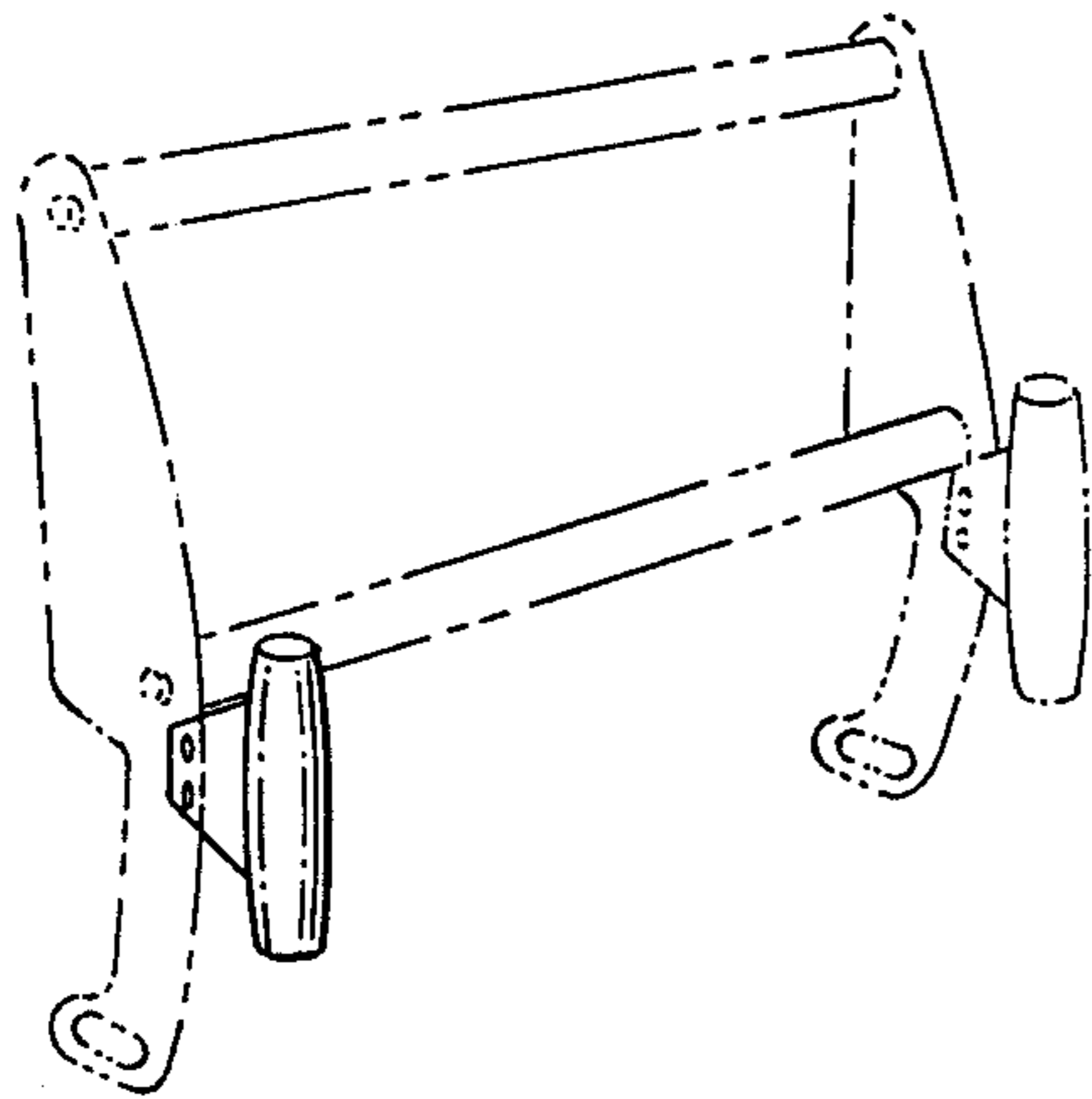


FIG. 2

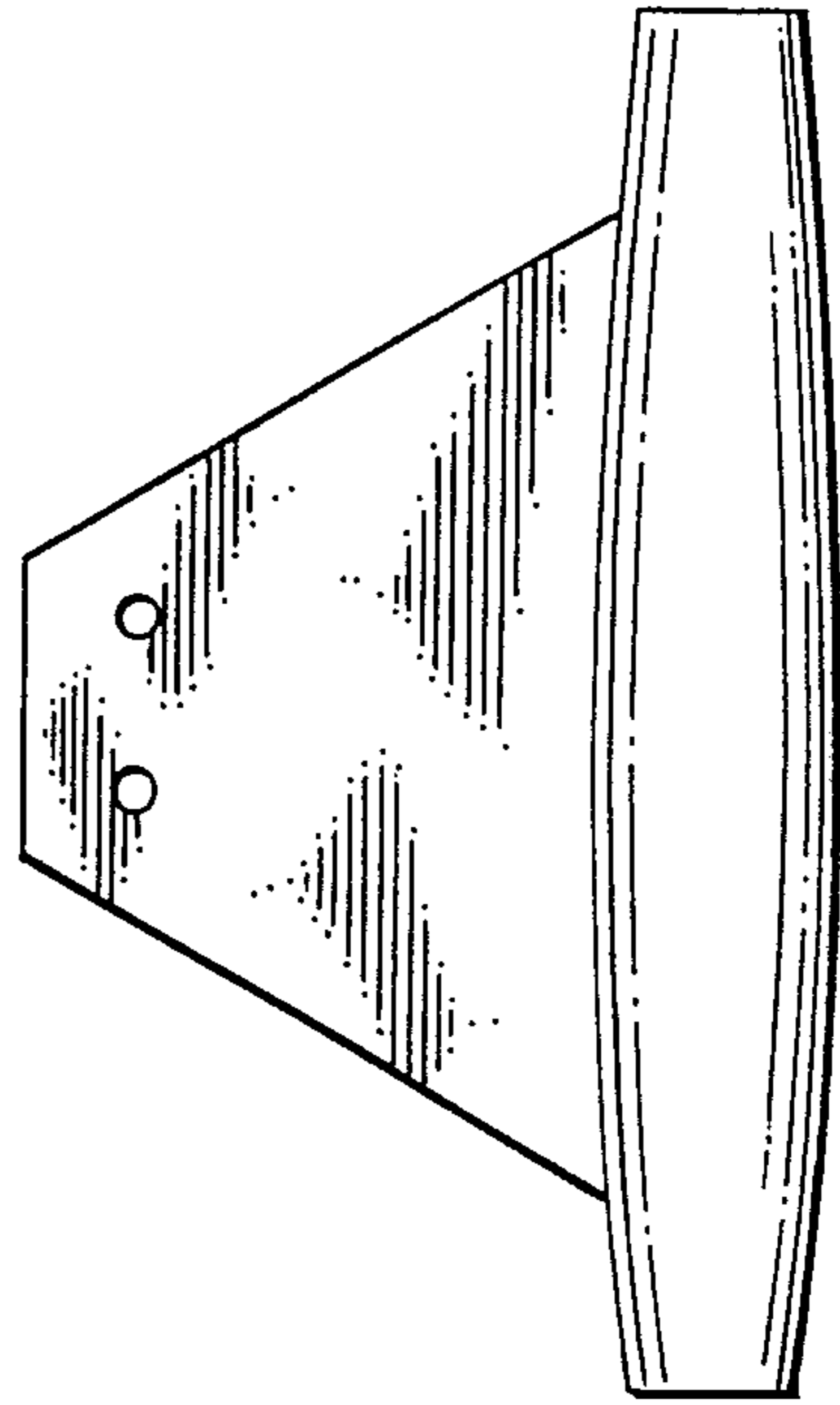


FIG. 3

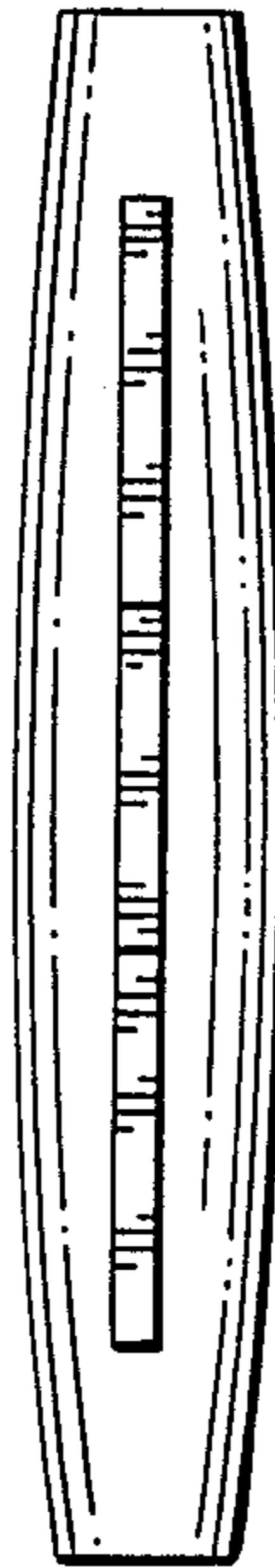


FIG. 4

FIG. 5

