

[54] **FRONT WHEEL COVER**

[75] **Inventors:** Toshiyuki Yamada, Saitama, Nakoto Kitagawa, Tokyo; Toshio Kurihara, Saitama, all of Japan

[73] **Assignee:** Honda Giken Kogyo Kabushiki Kaisha, Tokyo, Japan

[**] **Term:** 14 Years

[21] **Appl. No.:** 121,004

[22] **Filed:** Nov. 16, 1987

[52] **U.S. Cl.** D12/126; D12/204

[58] **Field of Search** D12/126, 204; 180/229; 280/156, 152.2

[56] **References Cited**

U.S. PATENT DOCUMENTS

4,744,606 5/1988 Yoshida 280/288.4

OTHER PUBLICATIONS

Drag Specialities Catalog, 1987, Nineteenth Edition, pp. 506 and 507, Caliper Covers for 82-83 GL & Rotor Covers for 78-86 GL.

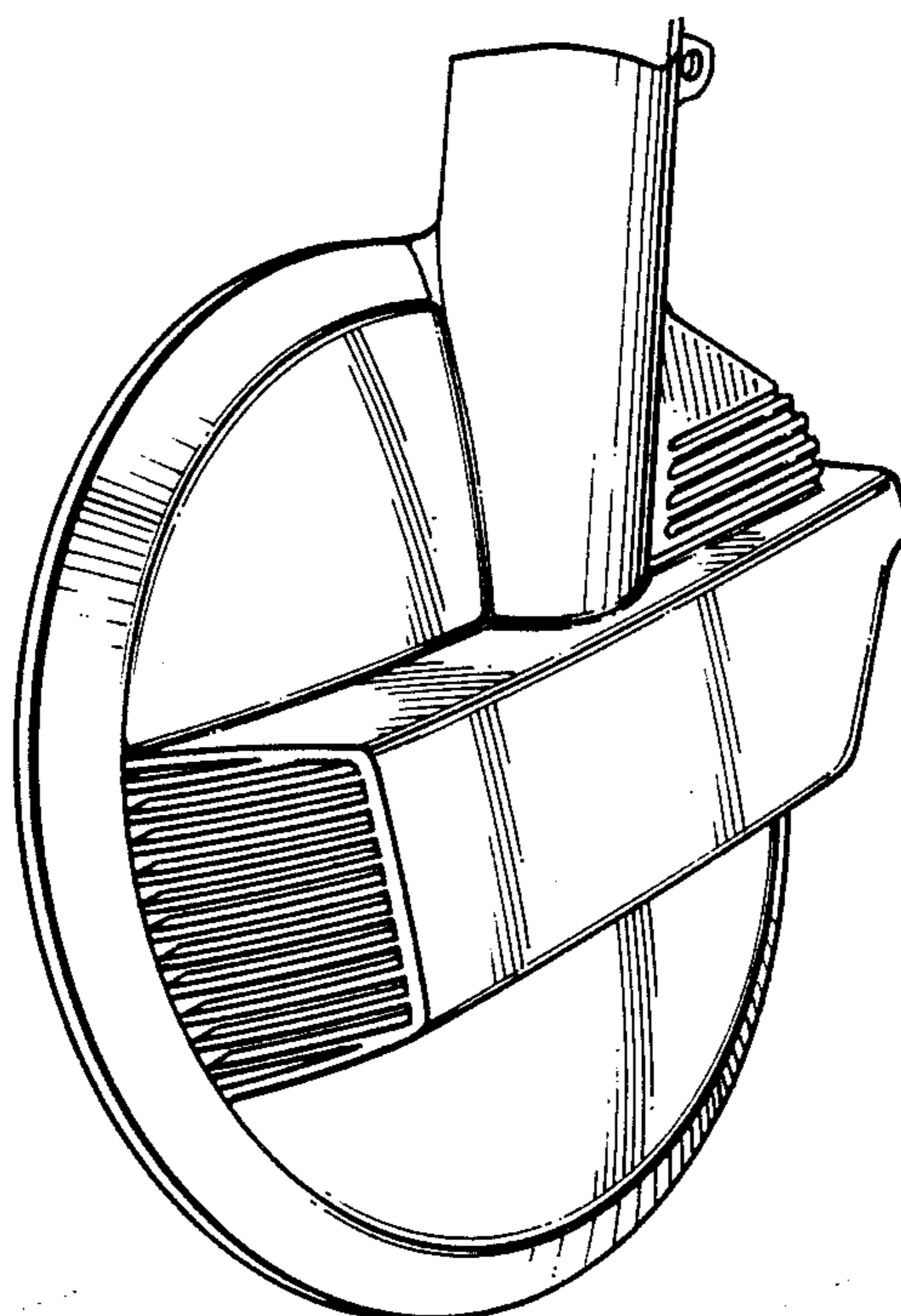
Primary Examiner—James M. Gandy
Assistant Examiner—Melody N. Brown
Attorney, Agent, or Firm—Lyon & Lyon

[57] **CLAIM**

The ornamental design for a front wheel cover, as shown.

DESCRIPTION

FIG. 1 is a right side perspective view of a front wheel cover showing our new design; FIG. 2 is a right side elevational view thereof; FIG. 3 is a front elevational view thereof; FIG. 4 is a rear elevational view thereof; FIG. 5 is a top plan view thereof; and FIG. 6 is a bottom plan view thereof.



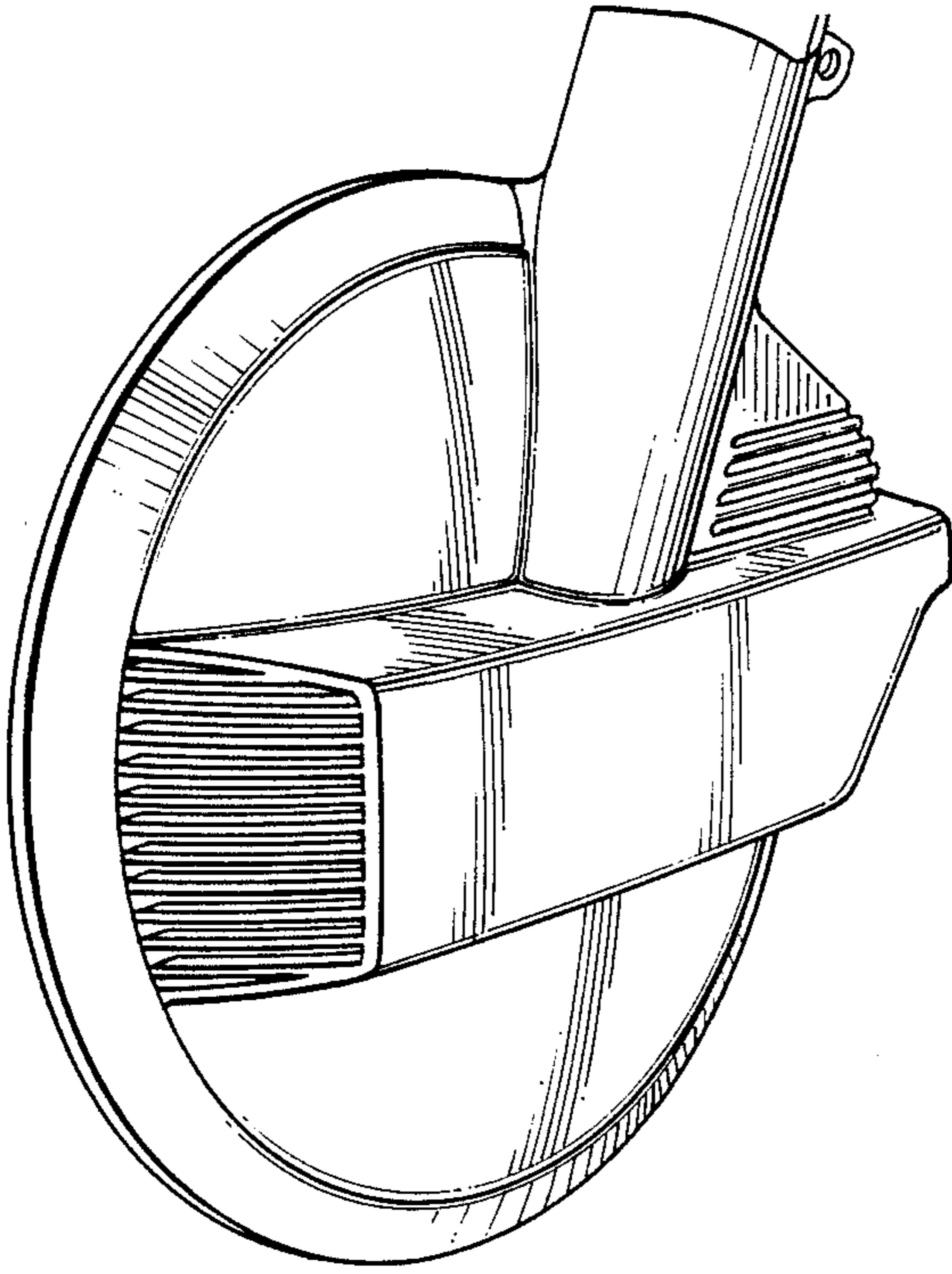


FIG. 1.

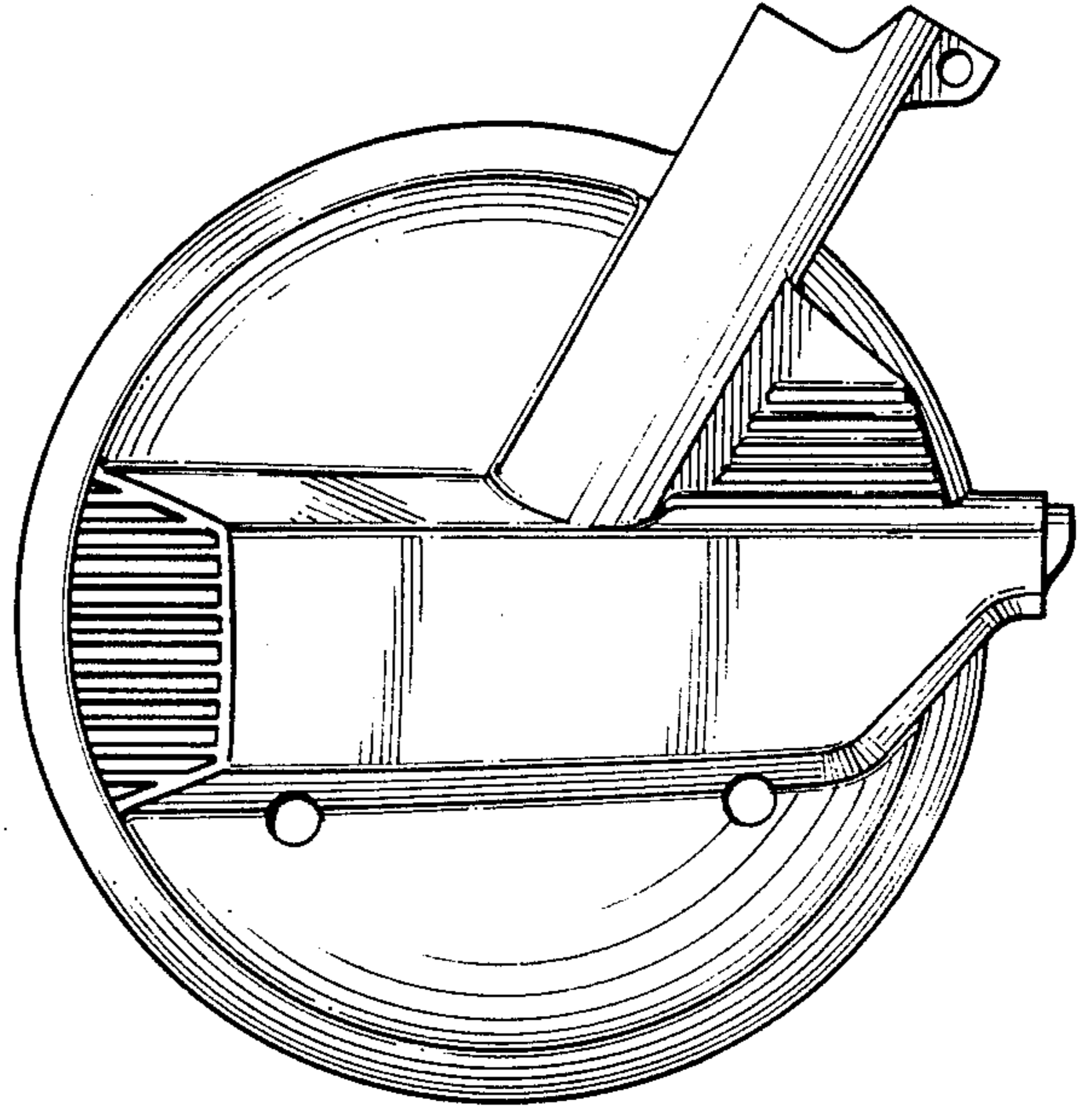


FIG. 2.

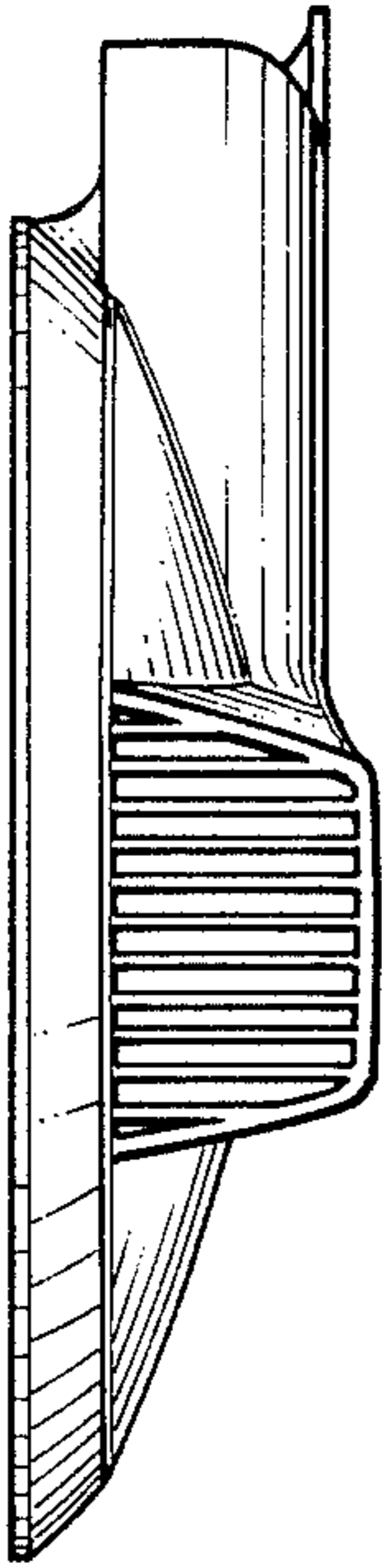


FIG. 3.

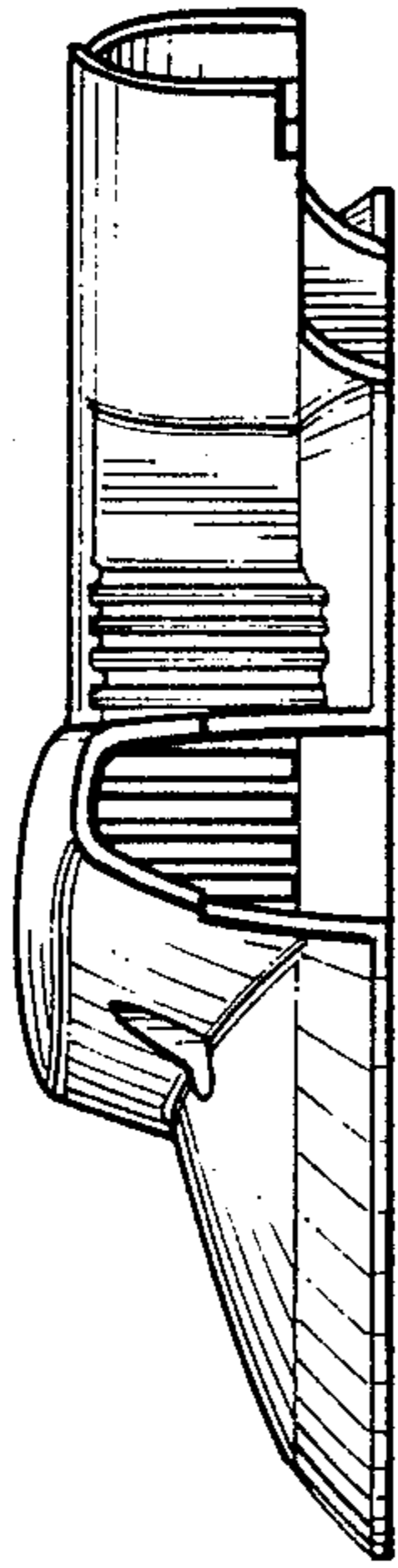


FIG. 4.

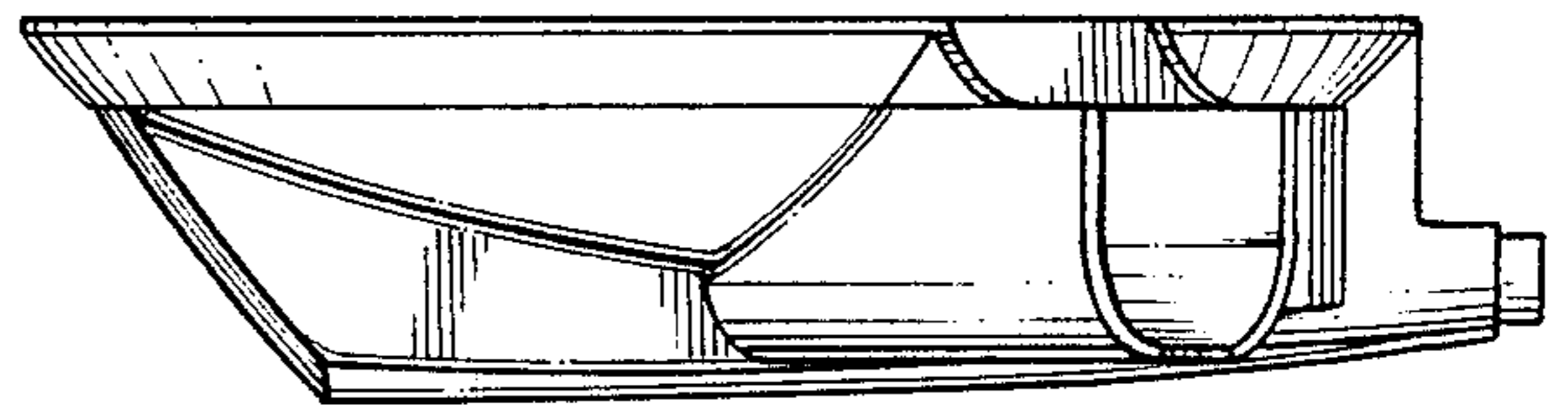


FIG. 5.

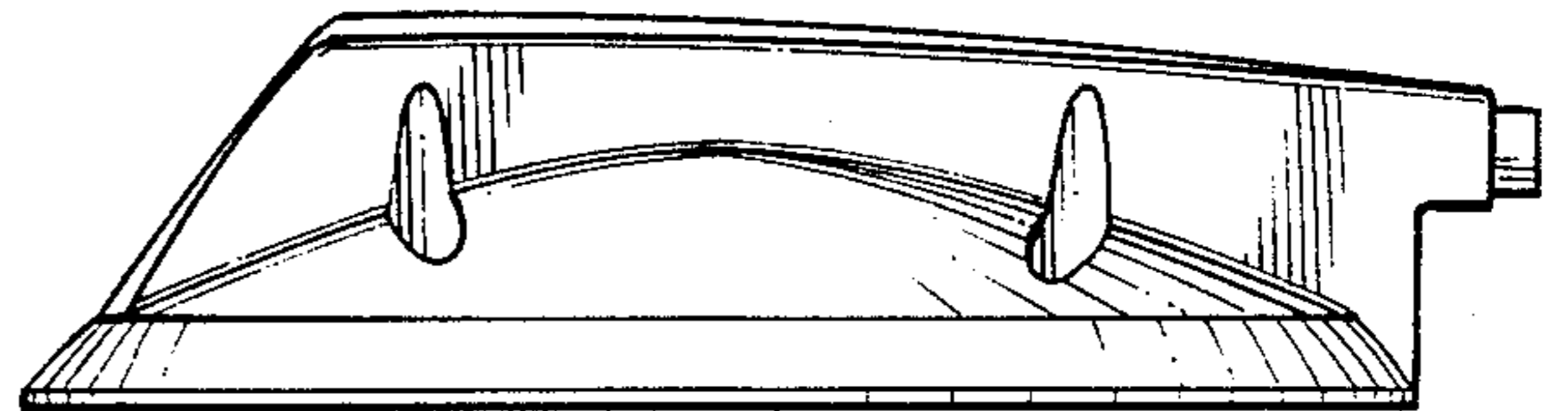


FIG. 6.