

[54] **FIVE WHEELED CHILD'S CYCLE**

[76] **Inventor: Jon Grabun, 615 Augusta, San Antonio, Tex. 78215**

[\*\*] **Term: 14 Years**

[21] **Appl. No.: 143,684**

[22] **Filed: Jan. 14, 1988**

[52] **U.S. Cl. .... D12/108**

[58] **Field of Search ..... D12/107, 108, 112; 280/282, 288.2; 296/177**

[56] **References Cited**

**U.S. PATENT DOCUMENTS**

- D. 290,450 6/1987 Rudell et al. .... D12/108
- D. 293,901 1/1988 Clarke et al. .... D12/108

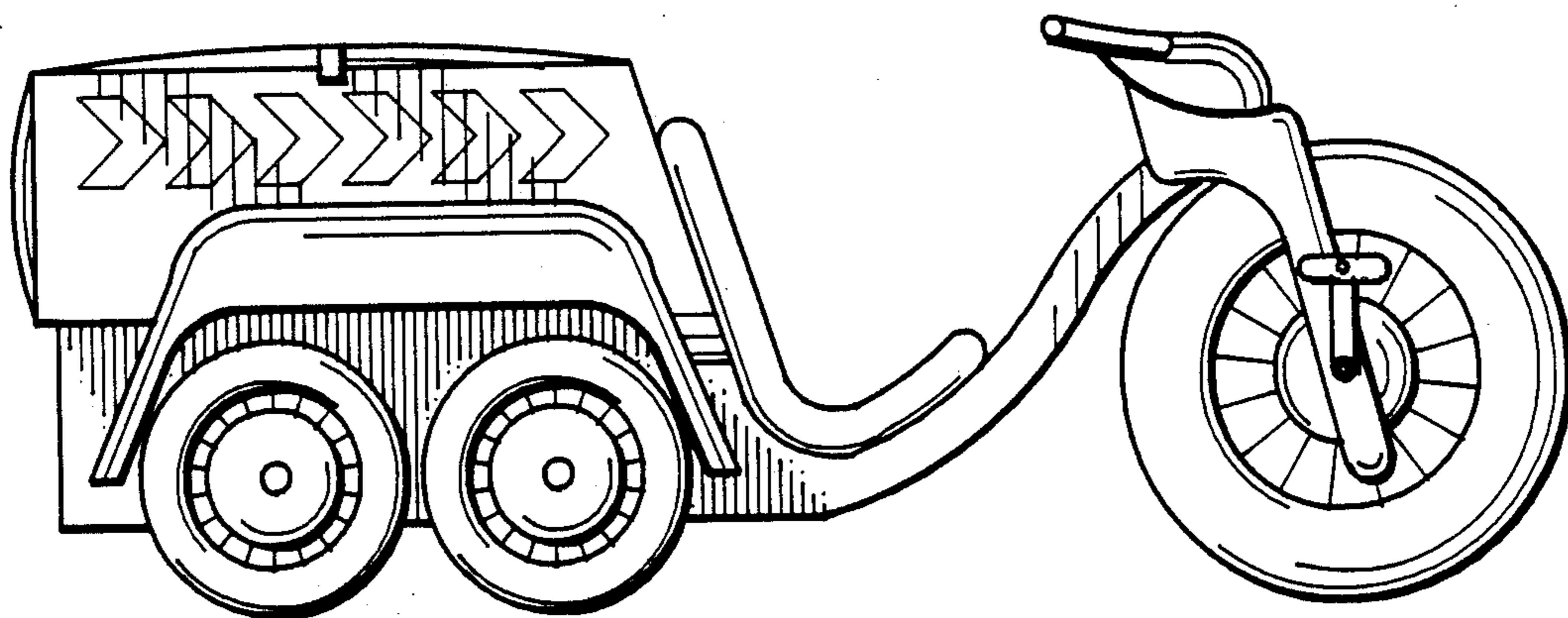
*Primary Examiner—James M. Gandy*  
*Assistant Examiner—Melody N. Brown*  
*Attorney, Agent, or Firm—Jerry T. Kearns*

[57] **CLAIM**

The ornamental design for a five wheeled child's cycle, as shown and described.

**DESCRIPTION**

FIG. 1 is a front elevational view of a five wheeled child's cycle showing my new design;  
FIG. 2 is a rear elevational view thereof;  
FIG. 3 is a left side elevational view thereof;  
FIG. 4 is a right side elevational view thereof;  
FIG. 5 is a top plan view thereof; and,  
FIG. 6 is a bottom plan view thereof.



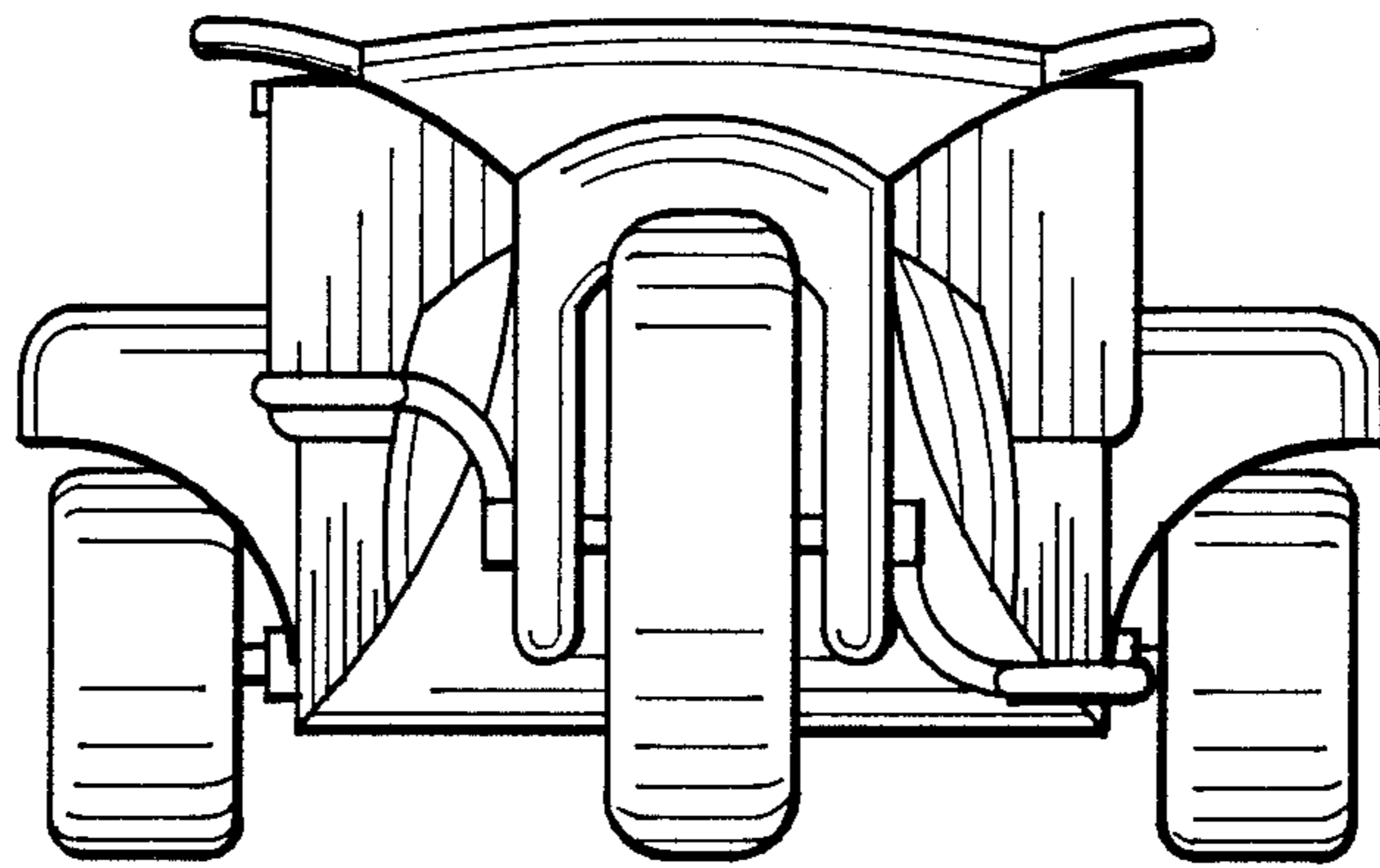


Fig. 1

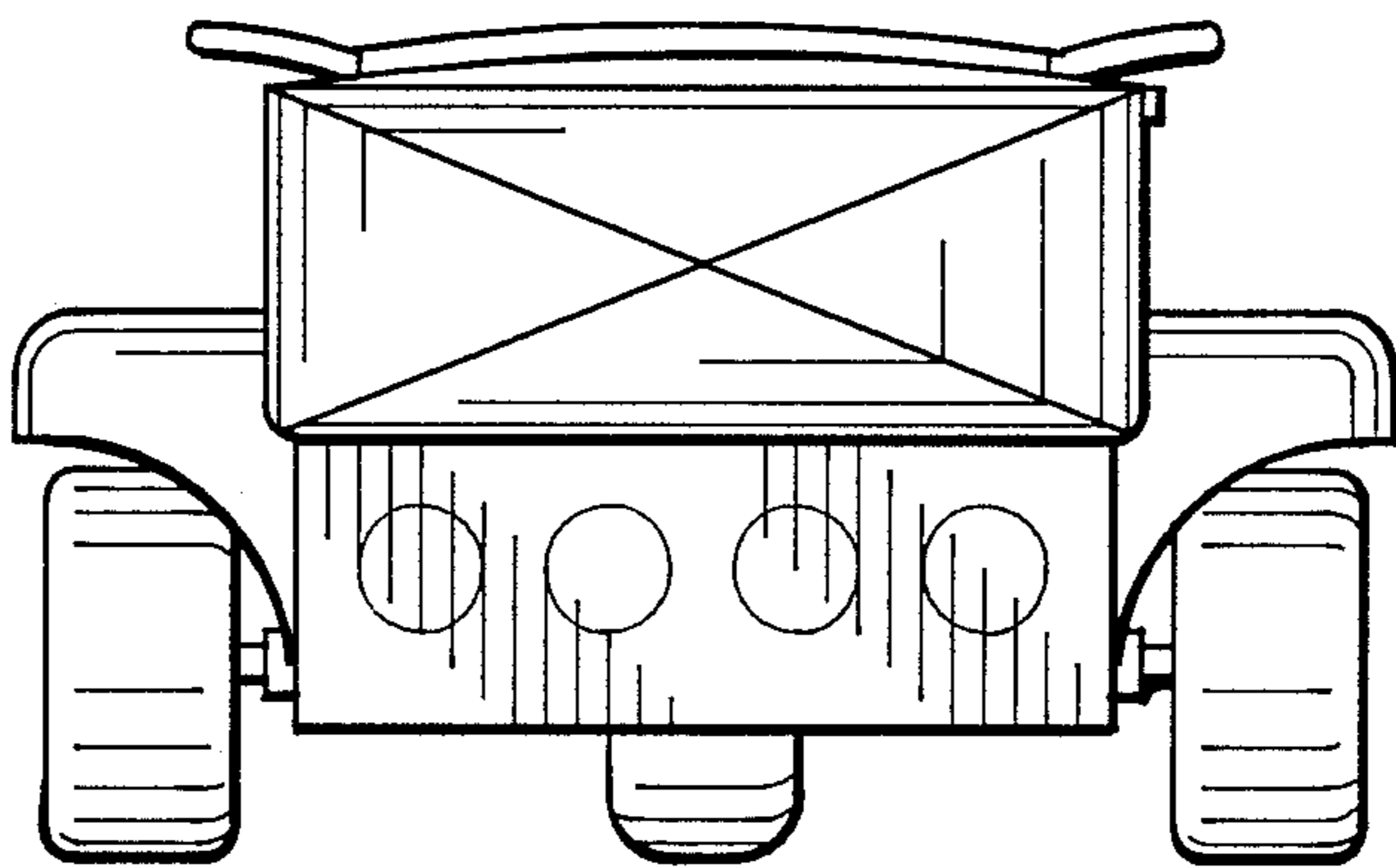


Fig. 2

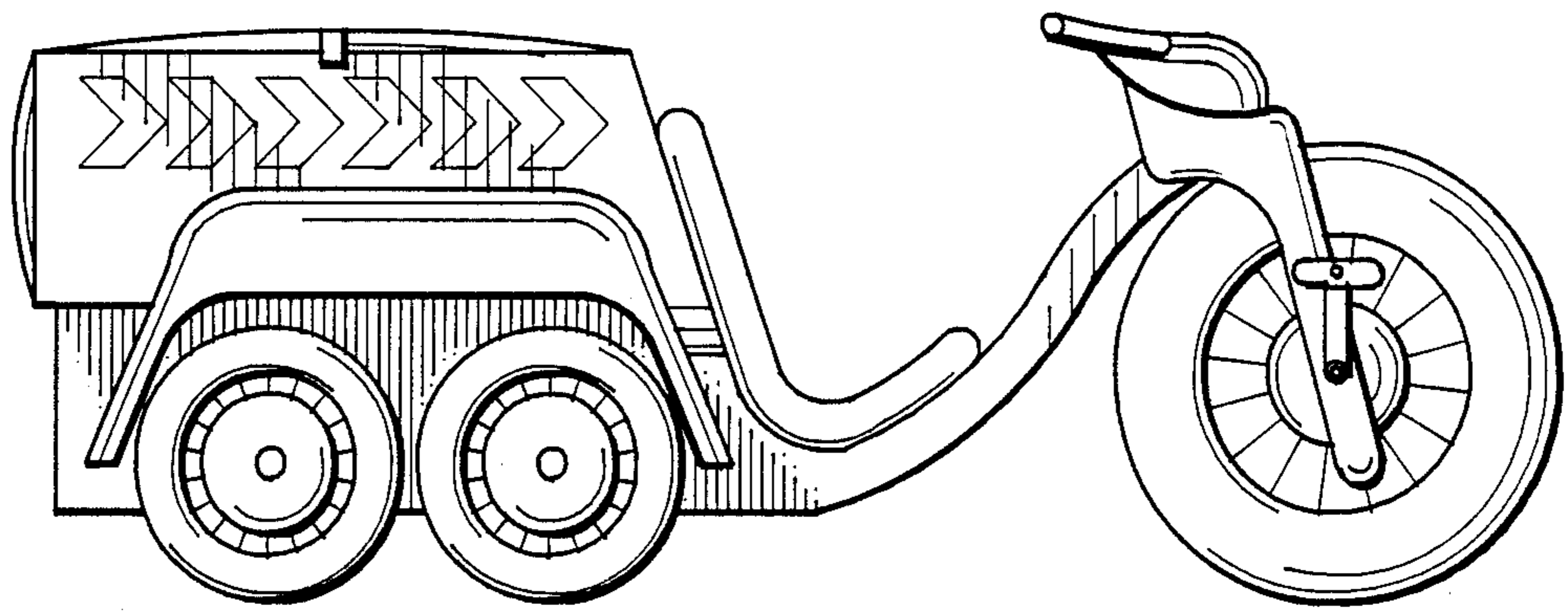


Fig. 3

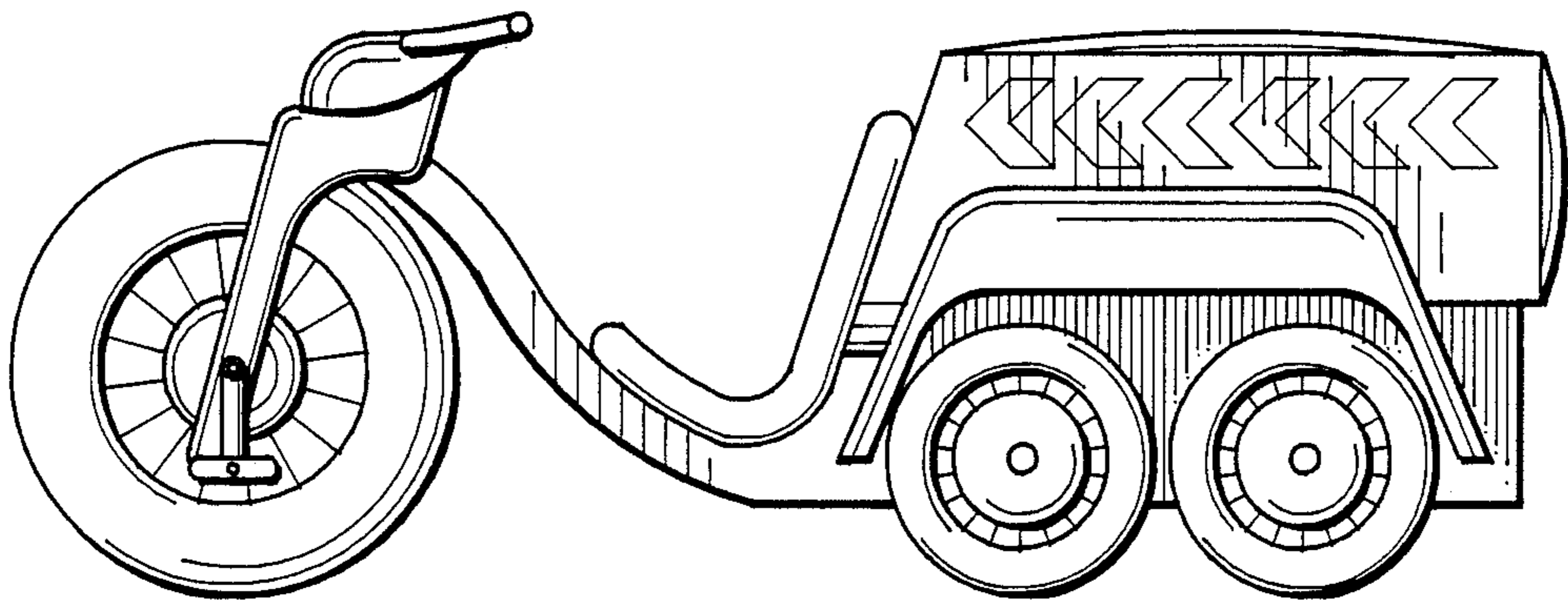


Fig. 4

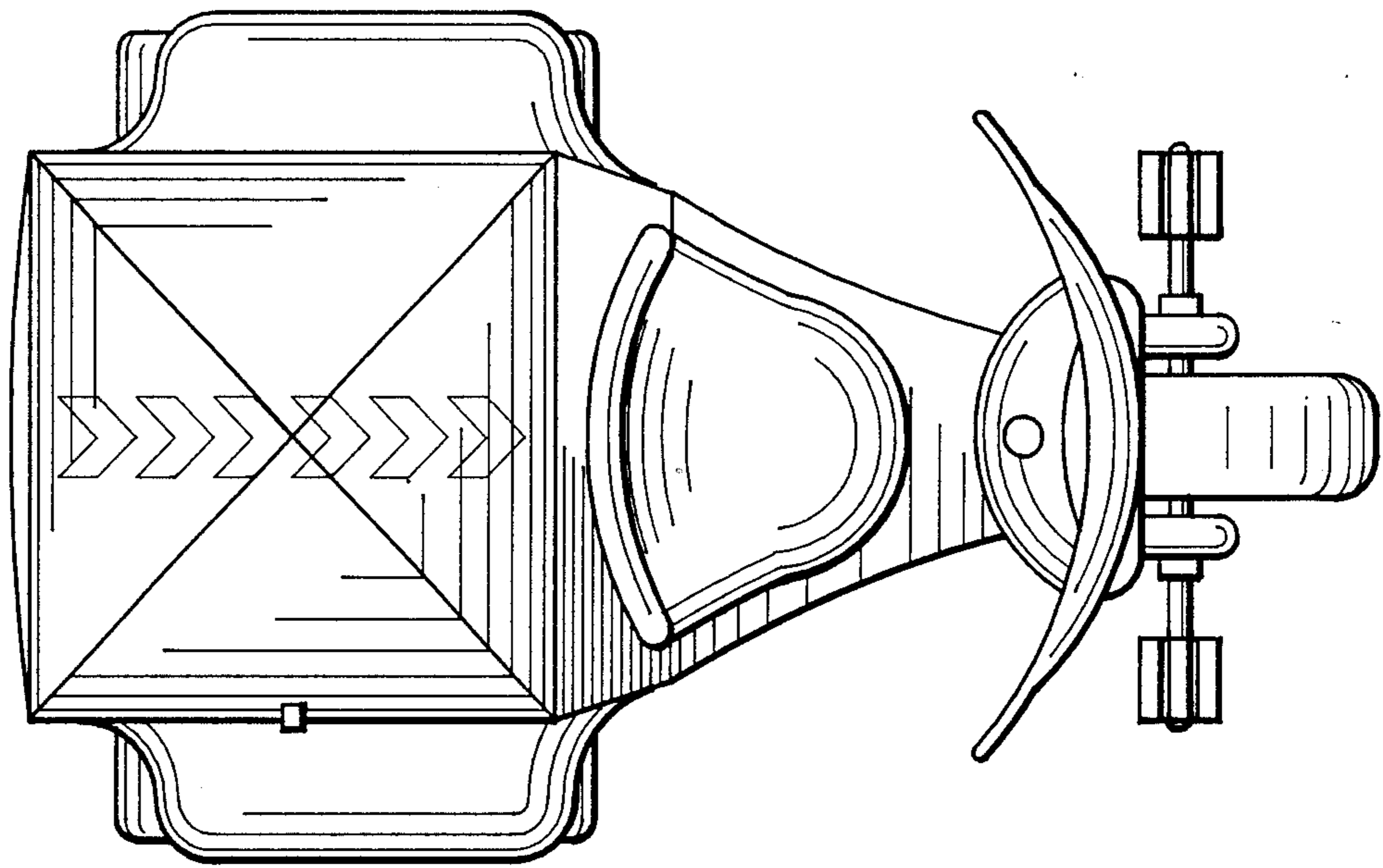


Fig. 5

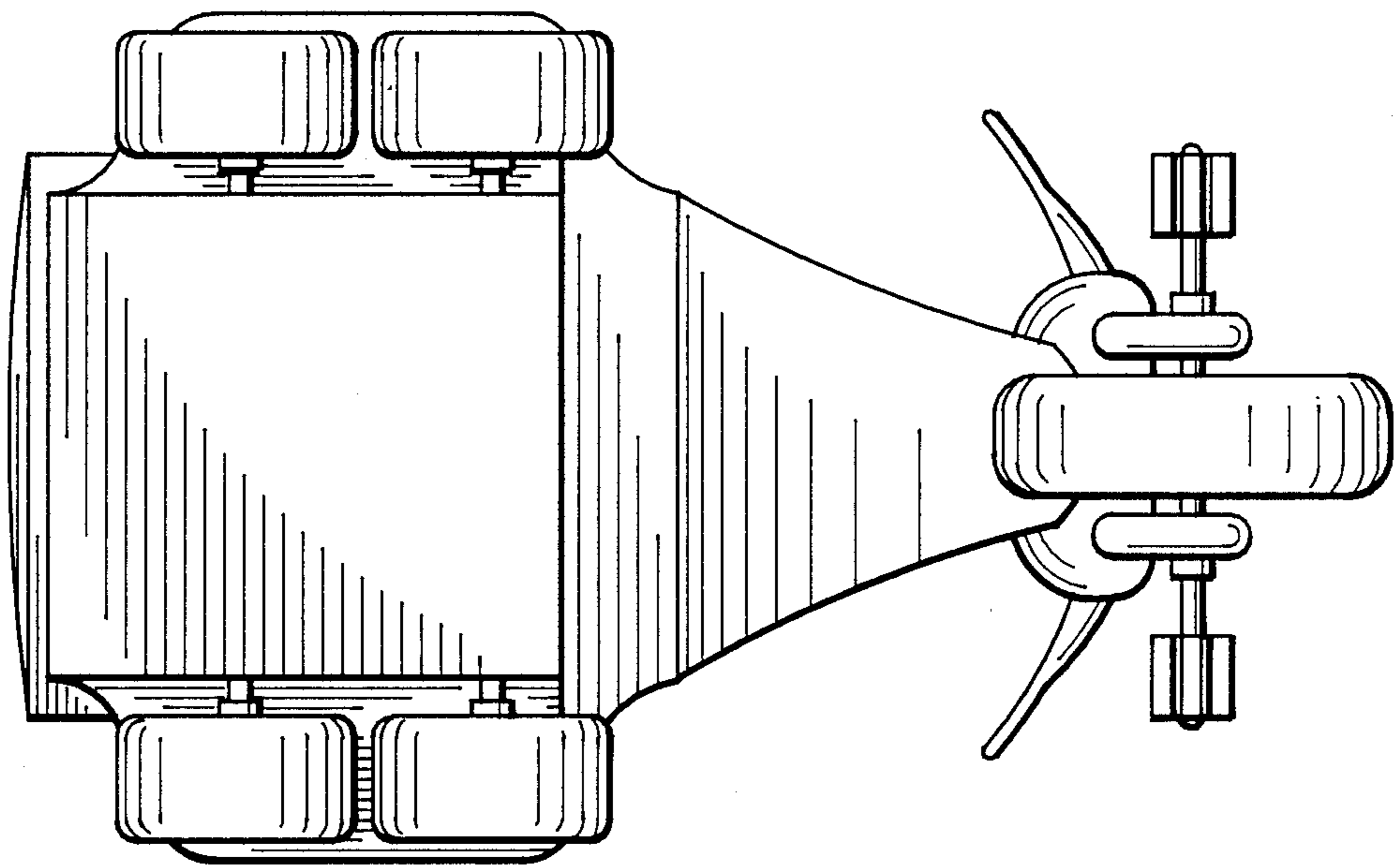


Fig. 6