

[54] **AUTOMOBILE**

[75] **Inventor: Benjamin Dimson,**  
Tiefenbronn/Muehlhausen, Fed.  
Rep. of Germany

[73] **Assignee: Dr. Ing. H.C.F. Porsche**  
Aktiengesellschaft, Fed. Rep. of  
Germany

[\*\*] **Term: 14 Years**

[21] **Appl. No.: 119,329**

[22] **Filed: Nov. 10, 1987**

[30] **Foreign Application Priority Data**

May 12, 1987 [DE] Fed. Rep. of Germany ..... MR6234

[52] **U.S. Cl. .... D12/91**

[58] **Field of Search ..... D12/91, 92; 296/185**

[56] **References Cited**

**U.S. PATENT DOCUMENTS**

D. 199,433 10/1964 Porsche, Jr. .... D12/91

D. 205,132 6/1966 Porsche, Jr. .... D12/91  
D. 266,412 10/1982 Deaver ..... D12/156  
D. 285,783 9/1986 Moebius et al. .... D12/92

**OTHER PUBLICATIONS**

Road & Track, 7/86, p. 38,39&41, Porsche 959.  
Road & Track, 2/83, p. 34, Porsche 911, Cabrio.

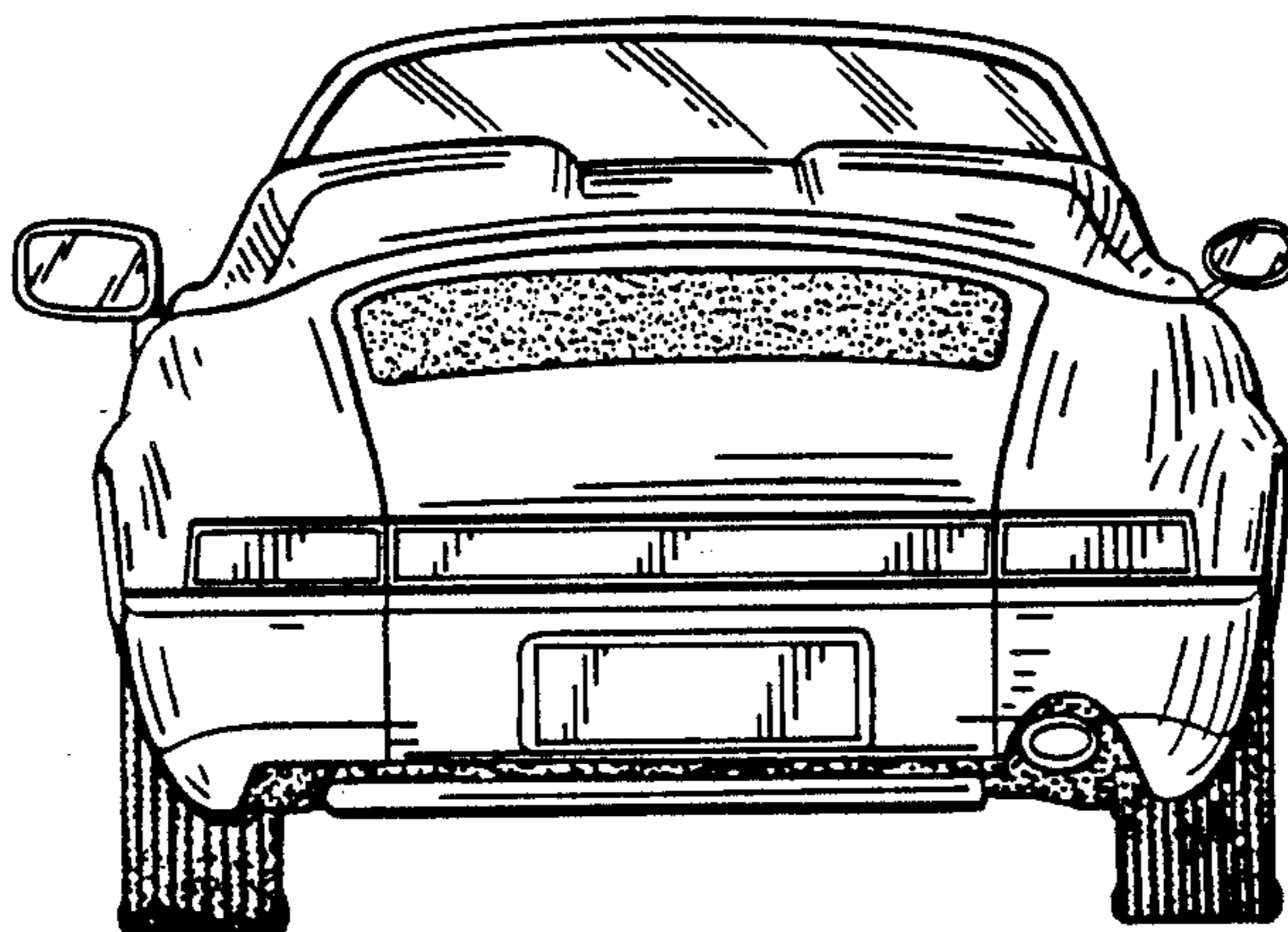
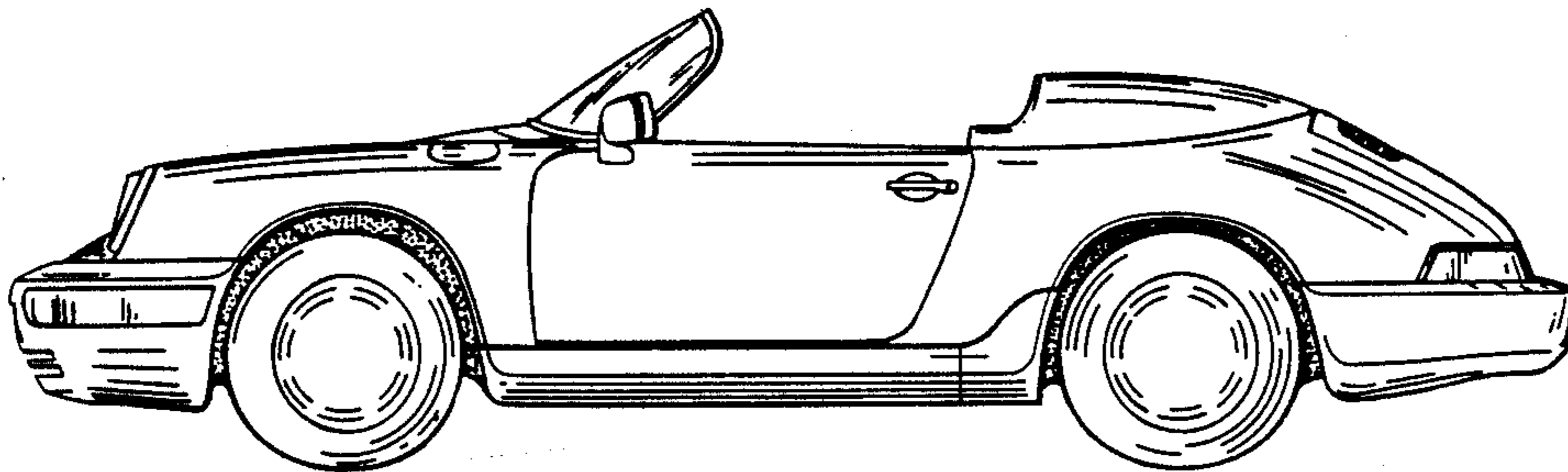
*Primary Examiner*—James M. Gandy  
*Attorney, Agent, or Firm*—Evenson, Wands, Edwards,  
Lenahan & McKeown

[57] **CLAIM**

The ornamental design for an automobile, as shown and described.

**DESCRIPTION**

FIG. 1 is a left side elevation view of an automobile showing my new design it being understood that the opposite side is substantially a mirror image thereof; FIG. 2 is a front elevation view thereof; FIG. 3 is a rear elevation view thereof; and FIG. 4 is a top plan view thereof.



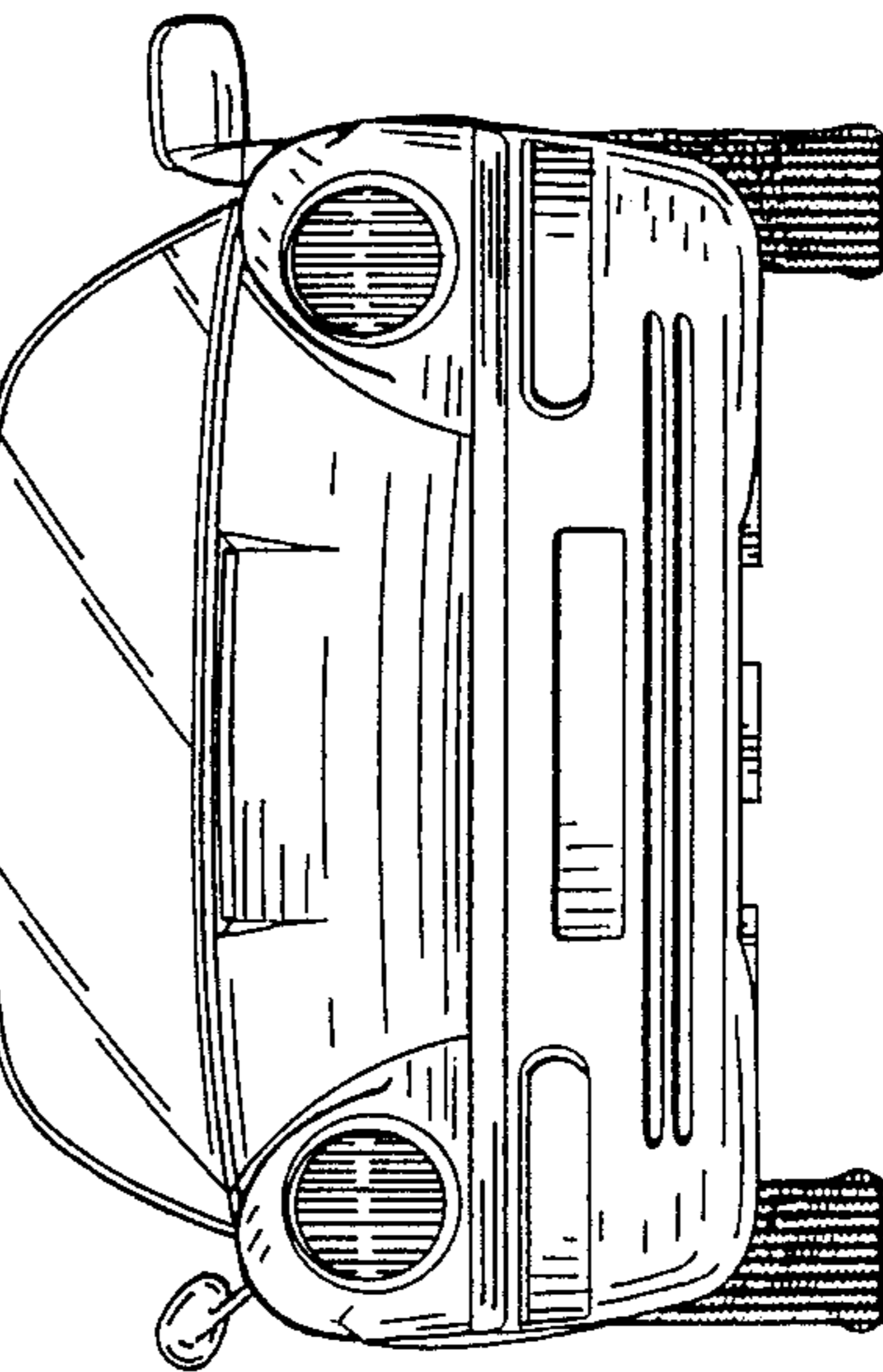
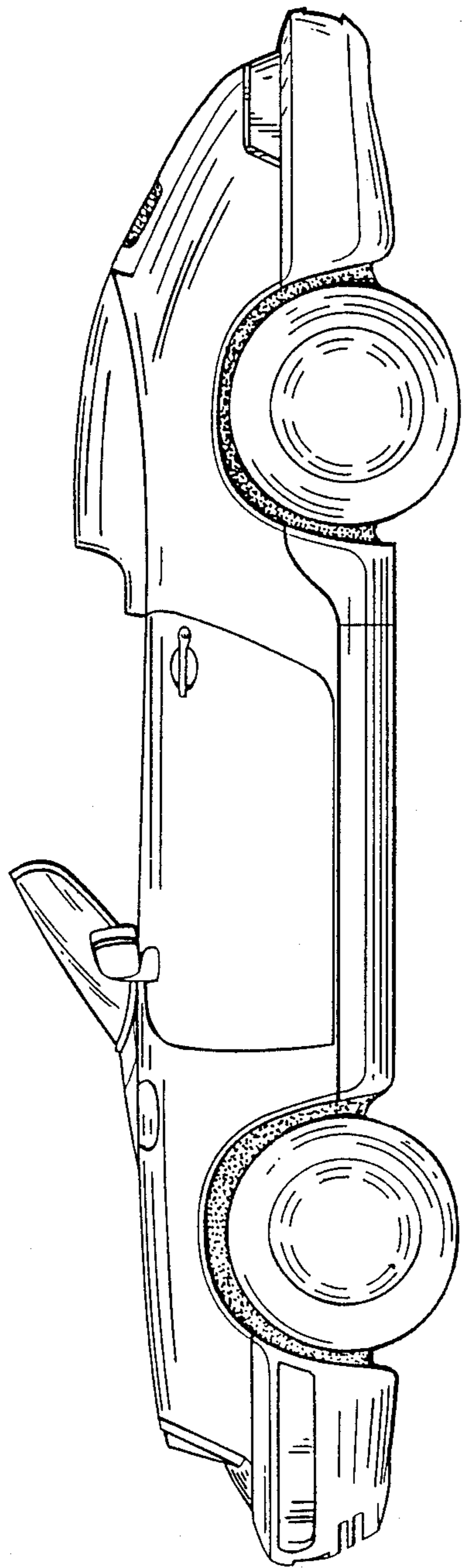


FIG. 1

FIG. 2

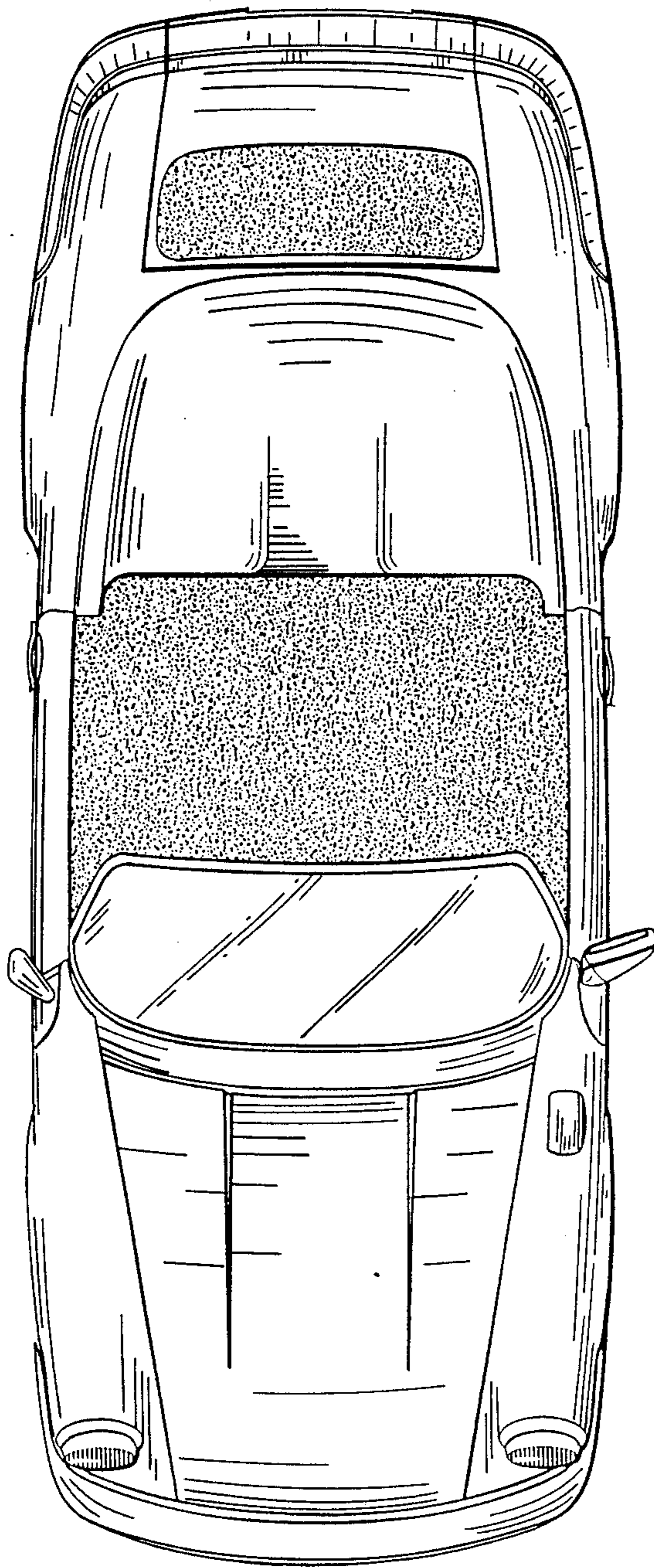


FIG. 4

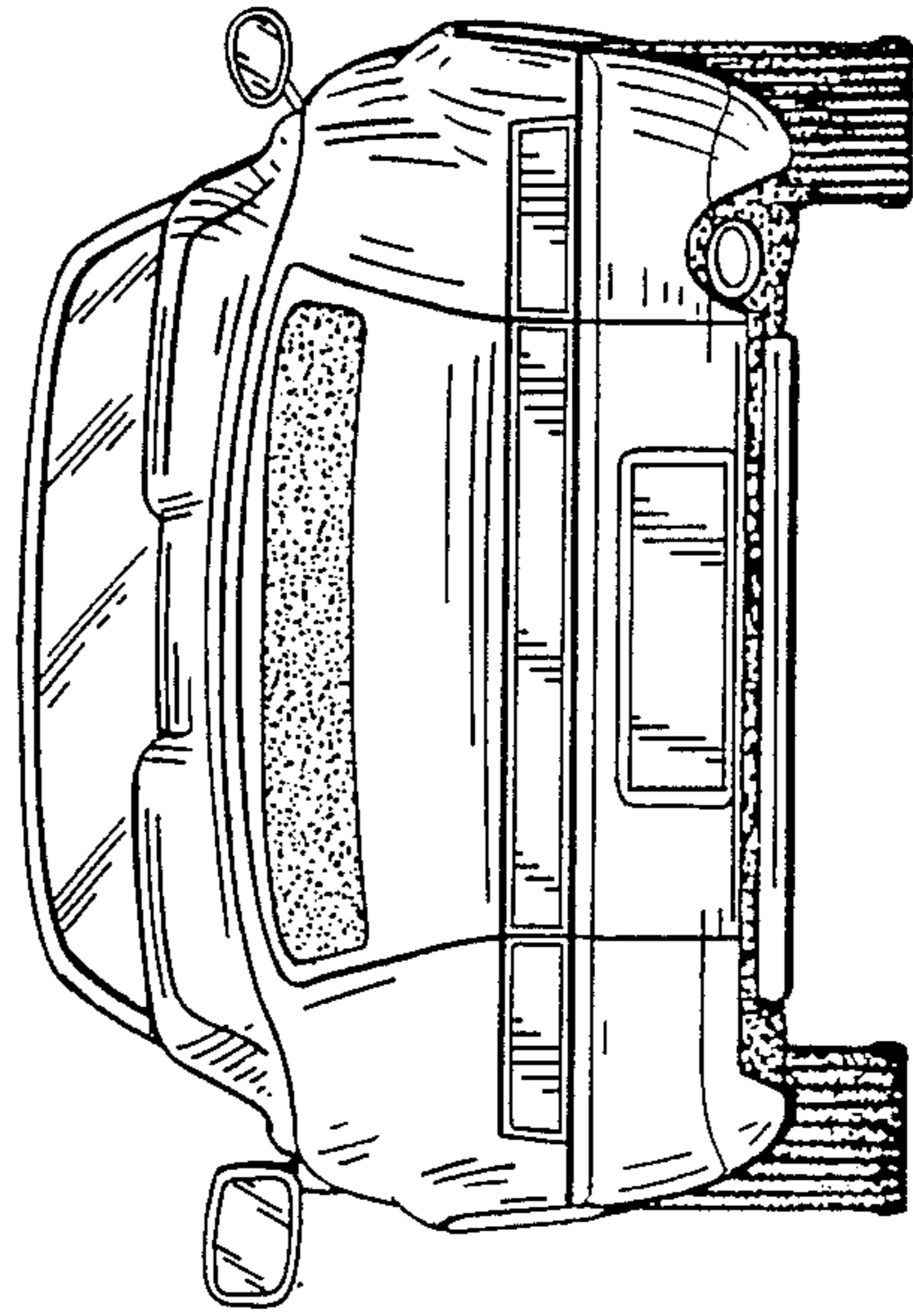


FIG. 3