

[54] BOARD GAME SCORING DEVICE

[75] Inventor: James H. Nugent, Avon, Conn.

[73] Assignee: Horn Abbot Ltd., Toronto, Canada

[\*\*] Term: 14 Years

[21] Appl. No.: 121,148

[22] Filed: Nov. 16, 1987

[52] U.S. Cl. .... D10/46.1

[58] Field of Search ..... D10/46.1; 116/222, 225; 273/1 ES, DIG. 26, 1 GC, 1 E, 85 G, 148 R, 148 A, 152; D9/341; 206/315.1, 579

[56] References Cited

U.S. PATENT DOCUMENTS

2,461,811	2/1949	Cusano	.....	D10/46.1	X
2,512,197	6/1950	Cusano	.....	D10/46.1	X
2,894,748	7/1959	Curtis	.....	D10/46.1	X
3,975,019	8/1976	Barlow	.....	273/DIG. 26	X
4,353,555	10/1982	Flam	.....	273/148	R

OTHER PUBLICATIONS

Montgomery Ward, Christmas 1983, p. 155, top and left of the page.

Primary Examiner—Melvin B. Feifer  
Assistant Examiner—Prabhakar Deshmukh  
Attorney, Agent, or Firm—James P. Ryther

[57] CLAIM

The ornamental design for a board game scoring device, as shown and described.

DESCRIPTION

FIG. 1 is a perspective view of a board game scoring device showing my new design; FIG. 2 is a top plan view thereof; FIG. 3 is a bottom plan view thereof; FIG. 4 is a left side elevation thereof; FIG. 5 is a right side elevation thereof; FIG. 6 is a rear elevation thereof; and FIG. 7 is a front elevation thereof.

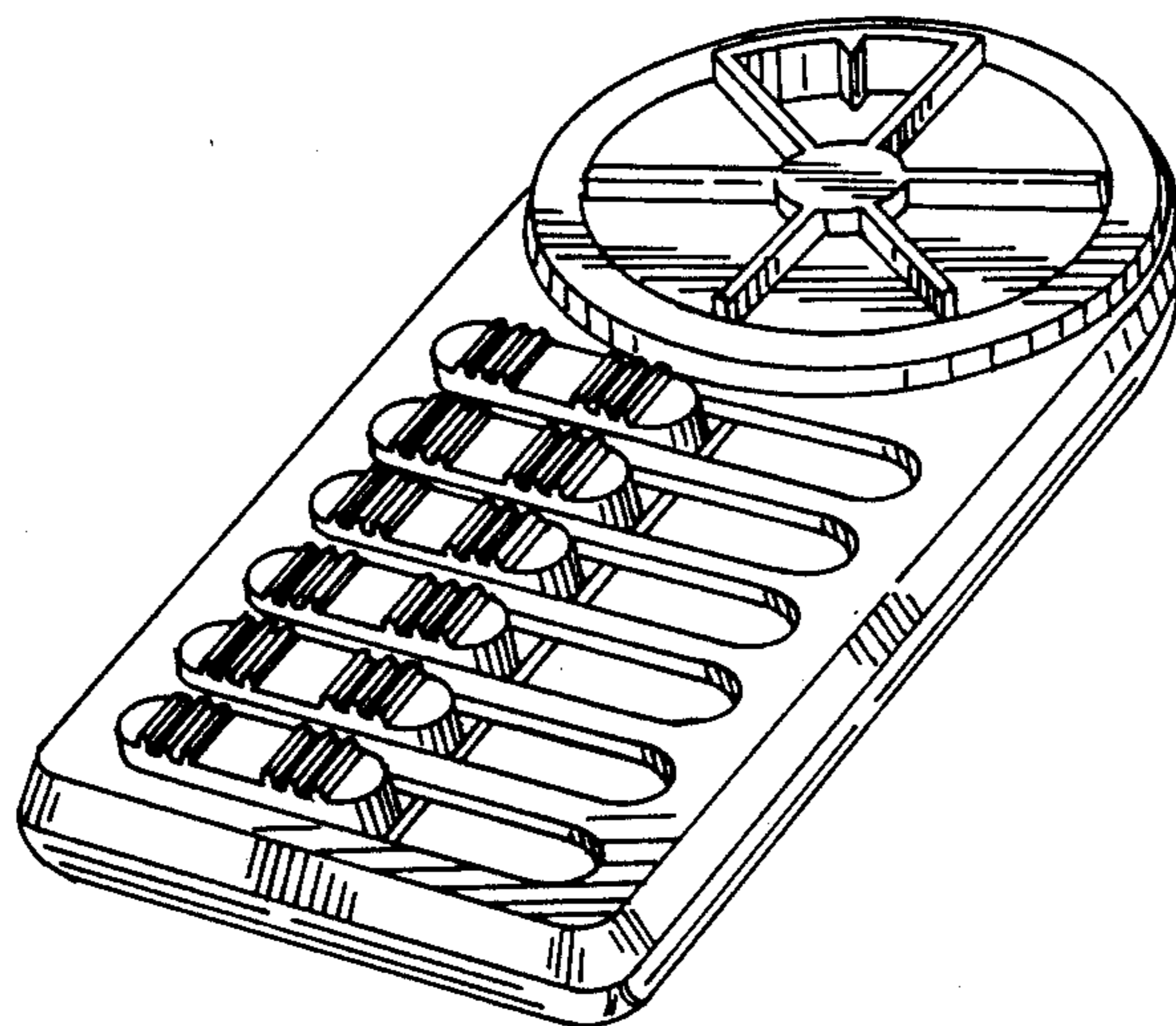


FIG. 1.

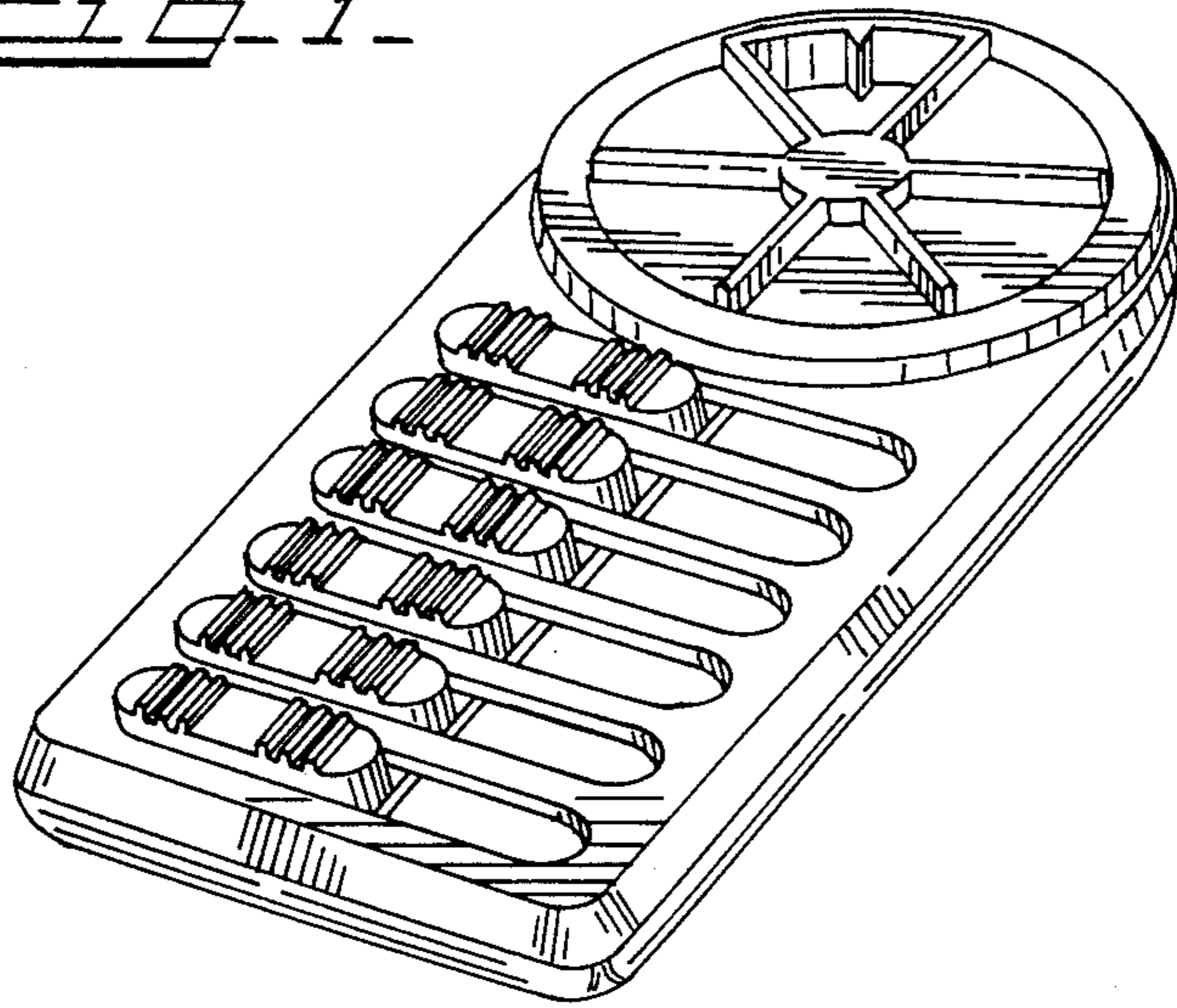


FIG. 2.

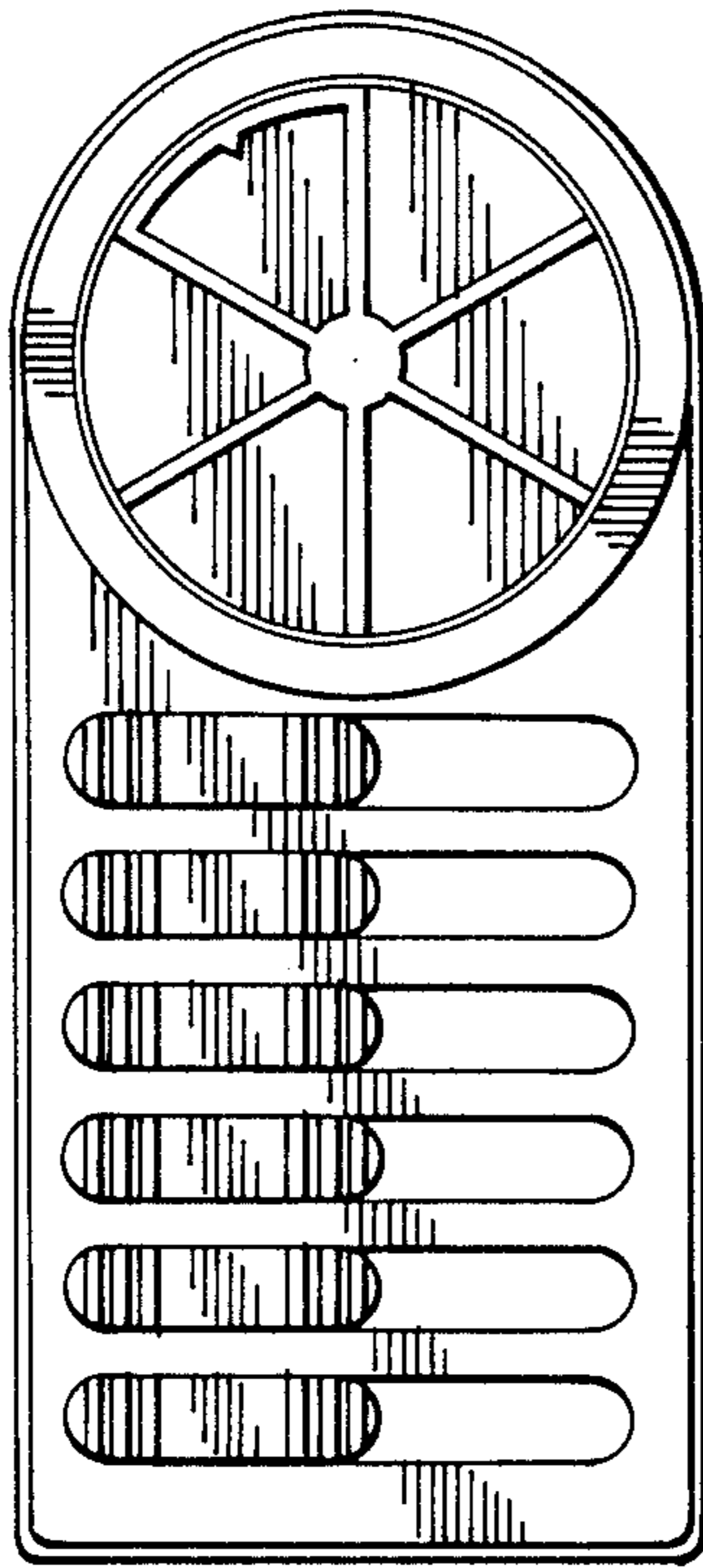


FIG. 3.

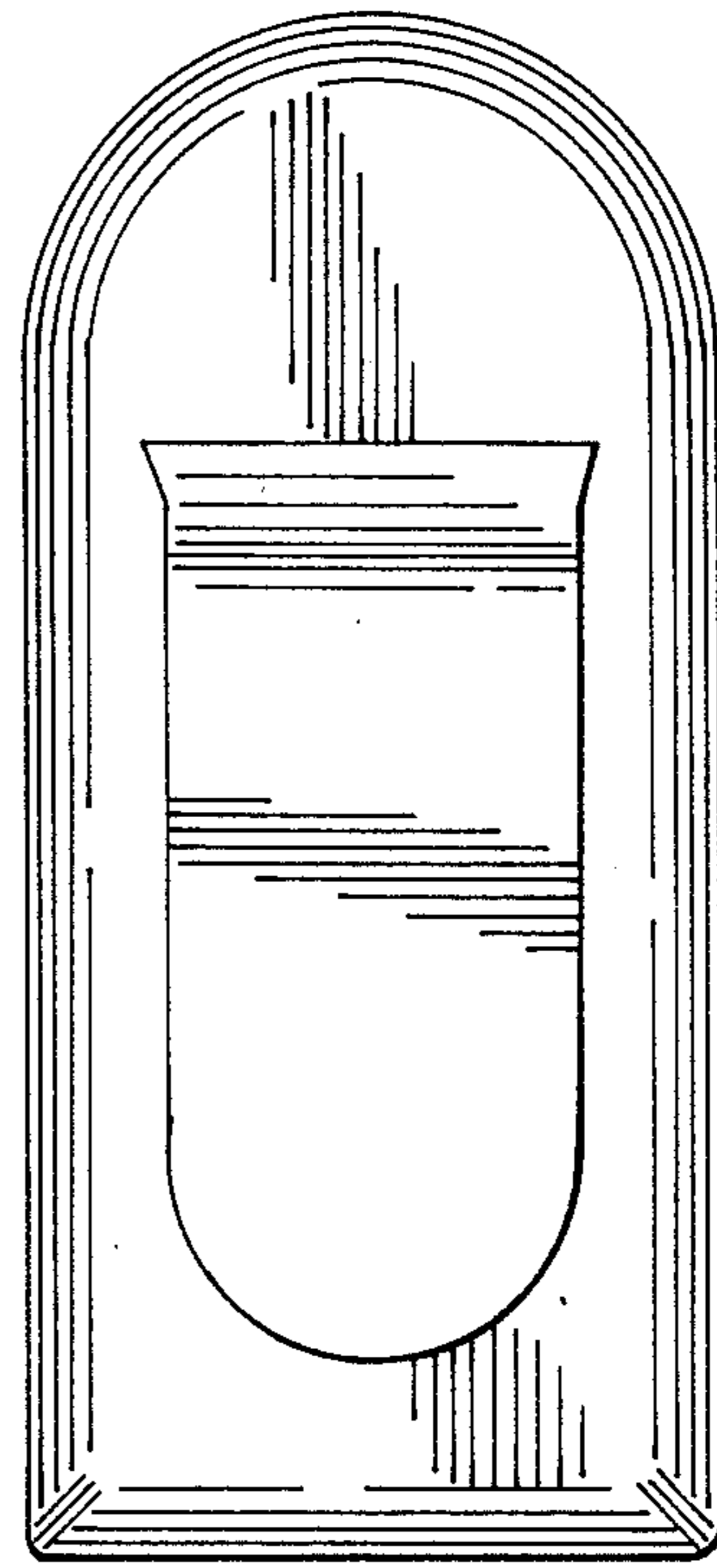


FIG-6-

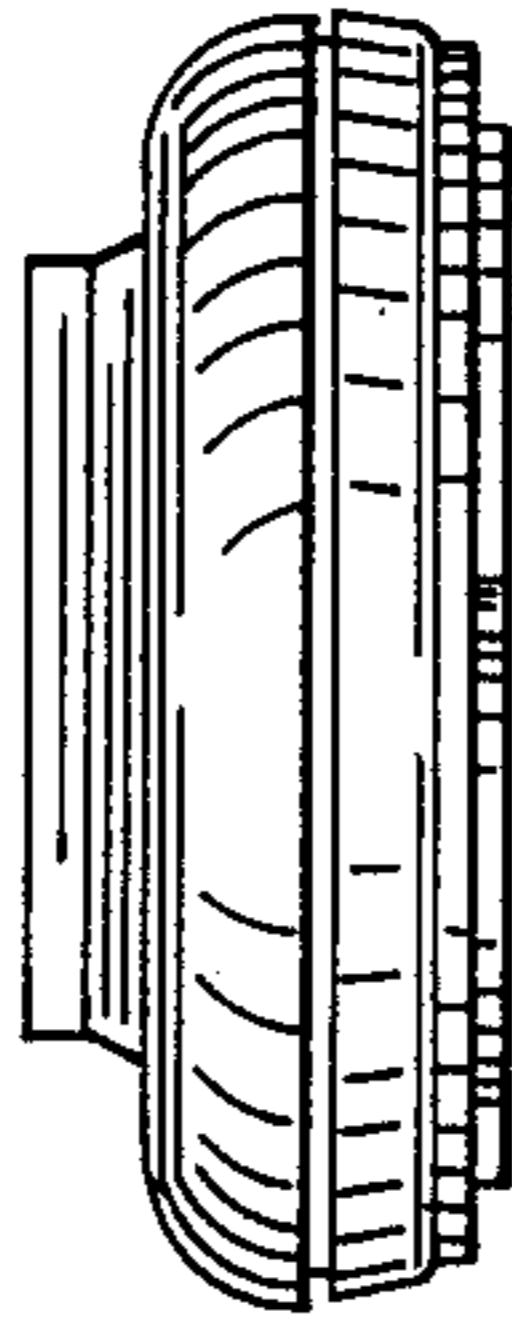


FIG-7-

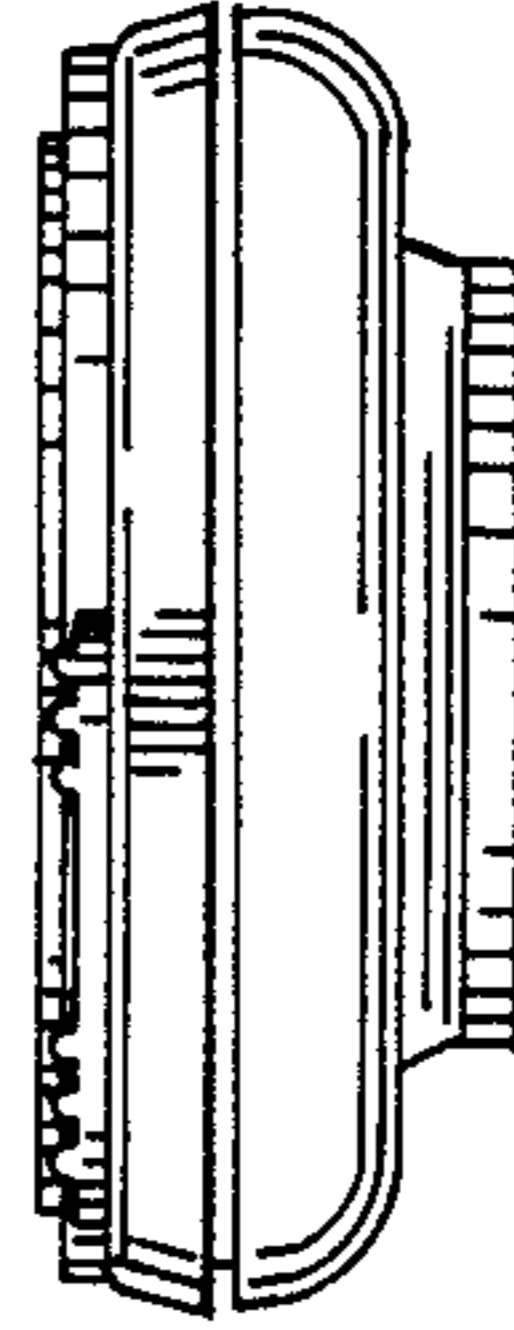


FIG-5-

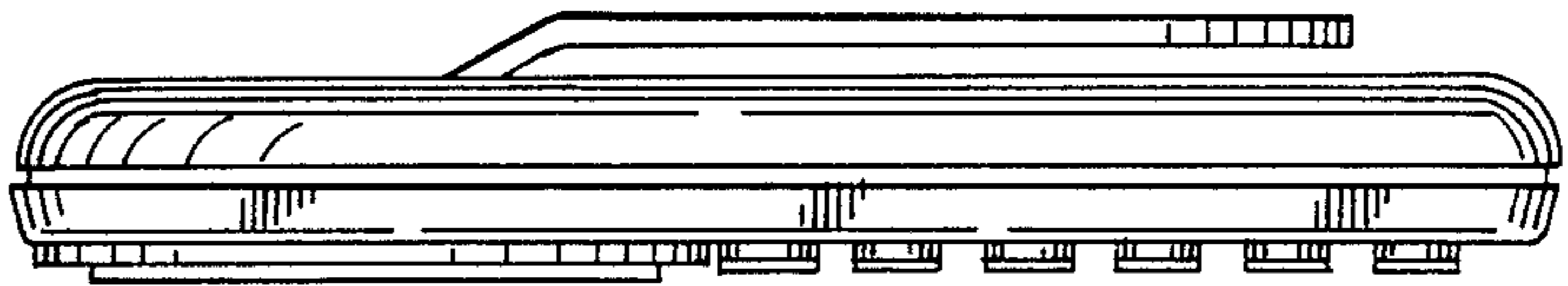


FIG-4-

