

[54] RADAR WARNING RECEIVER VISOR CLIP

[75] Inventor: Frederick J. Reber, II, Cincinnati, Ohio

[73] Assignee: Cincinnati Microwave, Inc., Cincinnati, Ohio

[\*\*] Term: 14 Years

[21] Appl. No.: 274,045

[22] Filed: Nov. 21, 1988

[52] U.S. Cl. .... D8/395; D12/191

[58] Field of Search ..... D12/191; D8/383, 394, D8/395; D6/325; D19/56; 296/97.1, 97.5, 97.6; 224/312; 24/568, 487, 489, 498, 499, 500; 248/206.2

[56] References Cited

U.S. PATENT DOCUMENTS

- D. 292,595 11/1987 Tanaka ..... D8/395
- 4,326,653 4/1982 Stone ..... 224/312
- 4,648,572 3/1987 Sokol ..... 248/206.2

OTHER PUBLICATIONS

J. C. Whitney Catalog No. 487V, p. 102, Support

Bracket on Radar Detector, top right side of page & Sun Visor Mounting Bracket, lower left center of page.

Primary Examiner—James M. Gandy  
Attorney, Agent, or Firm—Wood, Herron & Evans

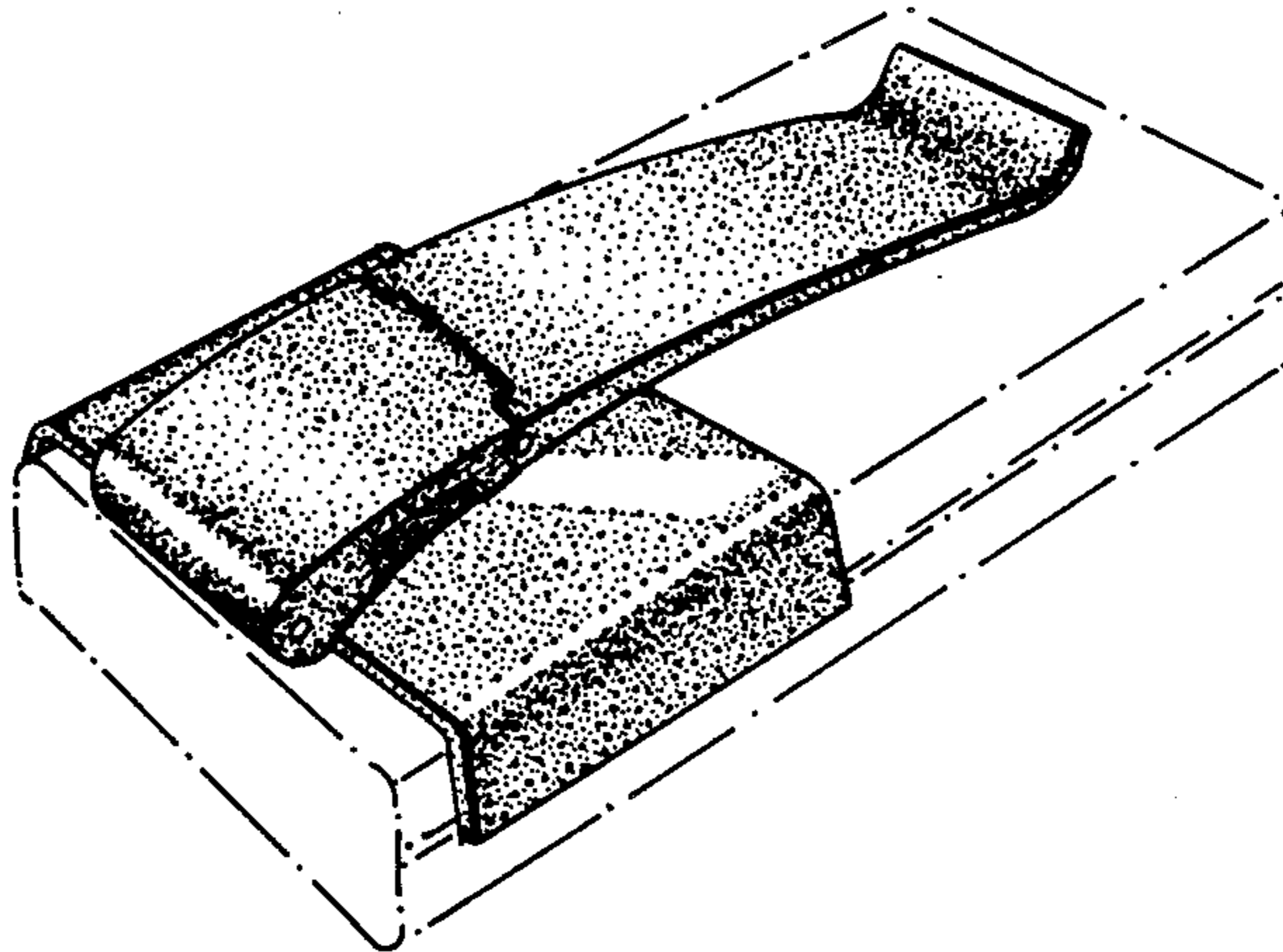
[57] CLAIM

The ornamental design for a radar warning receiver visor clip, as shown and described.

DESCRIPTION

FIG. 1 is a perspective view of a radar warning receiver visor clip showing my new design in closed condition; FIG. 2 is a top plan view thereof; FIG. 3 is a left side elevation view thereof; FIG. 4 is a front elevation view thereof; FIG. 5 is a rear elevation view thereof; FIG. 6 is a bottom plan view thereof; FIG. 7 is a perspective view thereof in open condition; FIG. 8 is a top plan view of FIG. 7; FIG. 9 is a left side elevation view of FIG. 7; FIG. 10 is a front elevation view of FIG. 7; FIG. 11 is a rear elevation view of FIG. 7; and FIG. 12 is a bottom plan view of FIG. 7.

The broken line showing of a radar warning receiver in FIGS. 1 and 7 is for illustrative purposes only and forms no part of the claimed design.



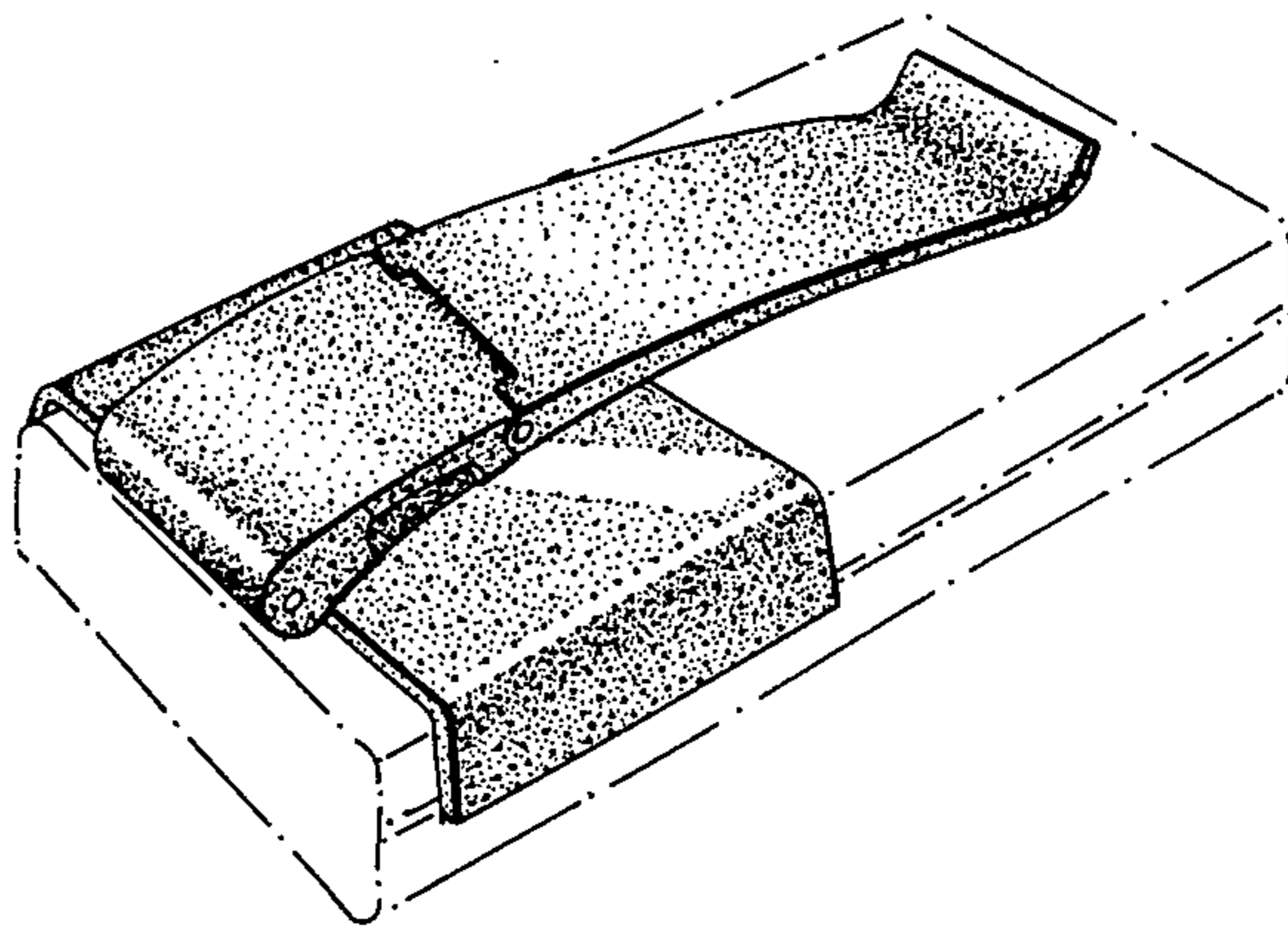


FIG. 1

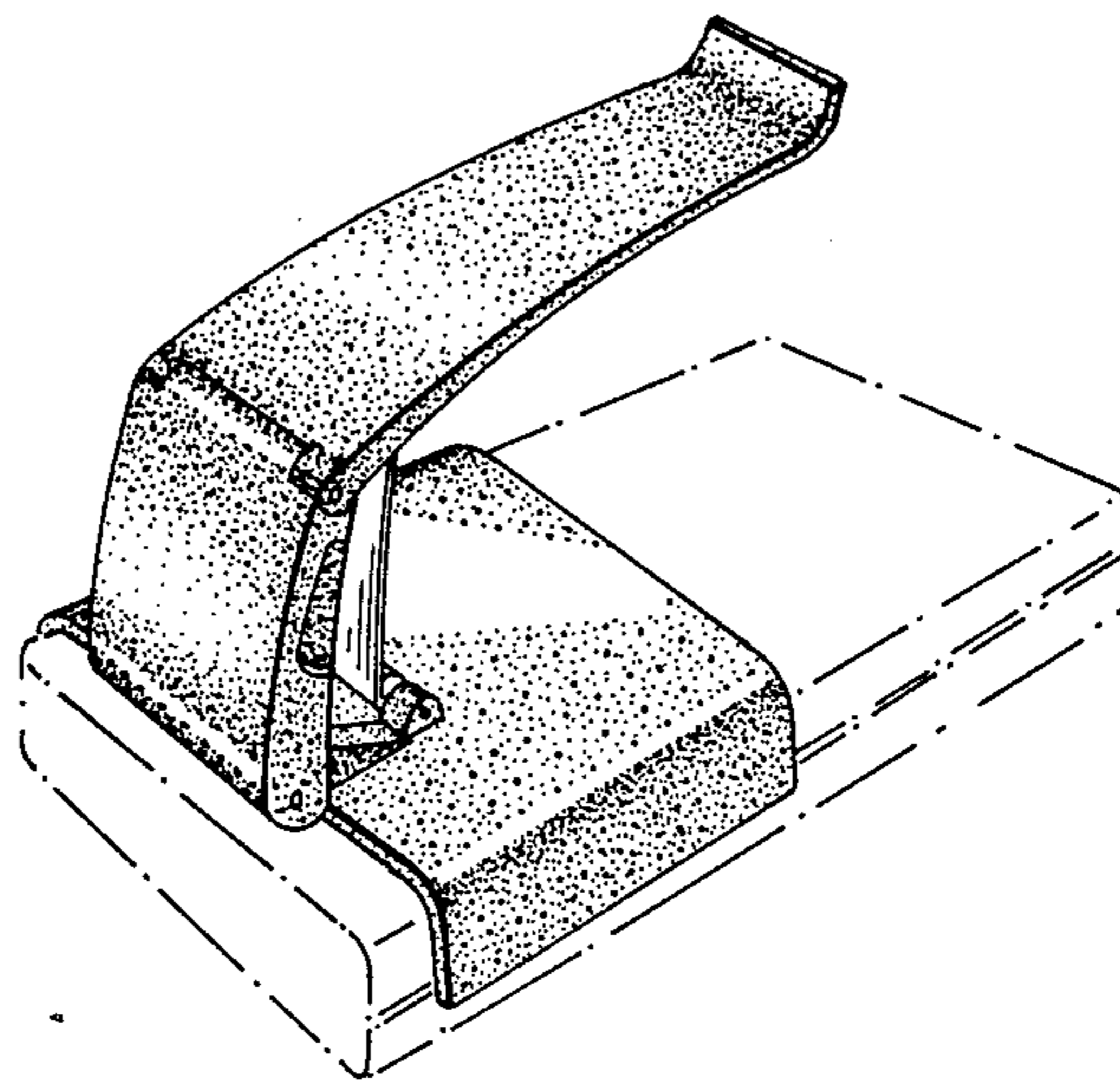


FIG. 7

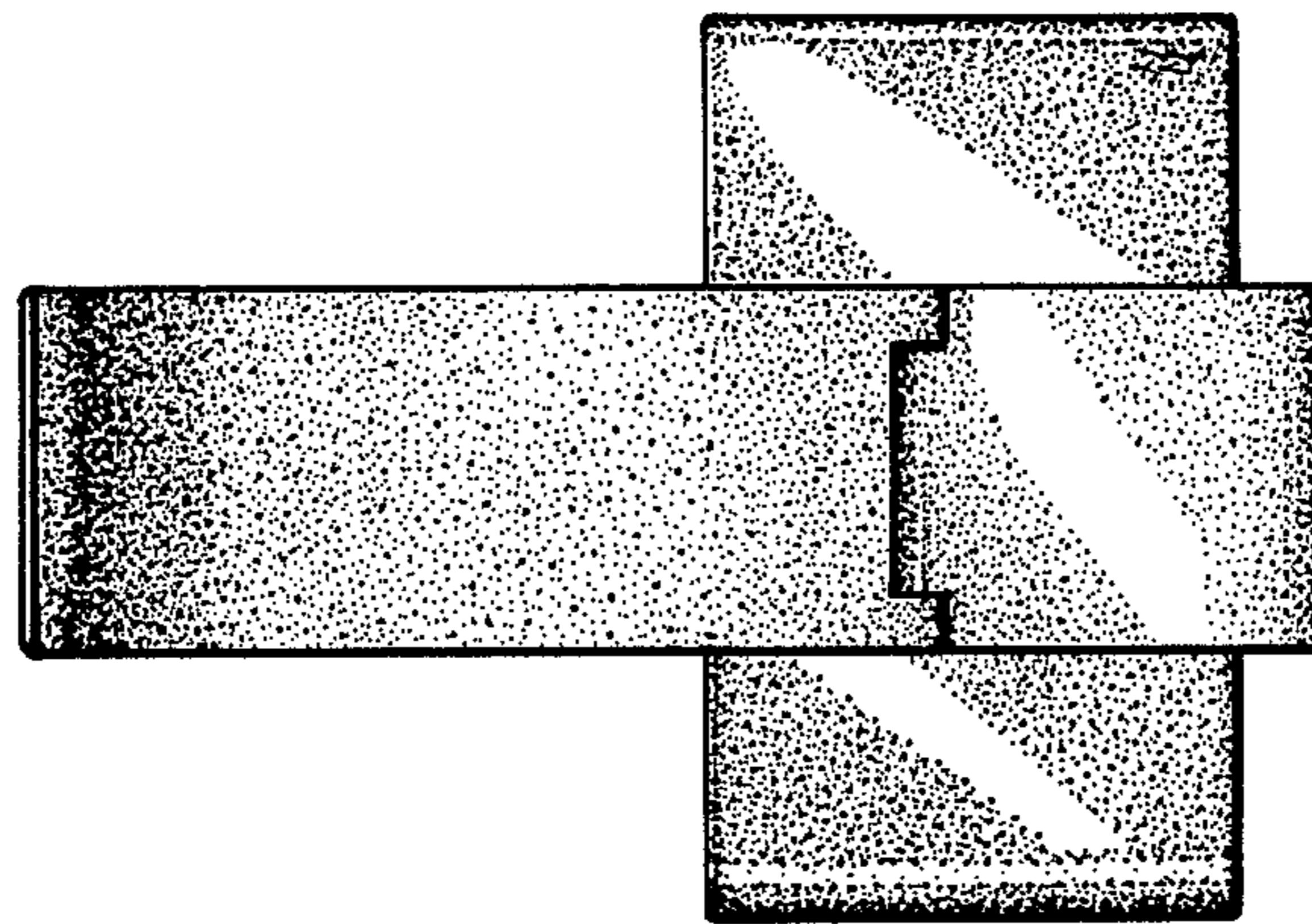


FIG. 2

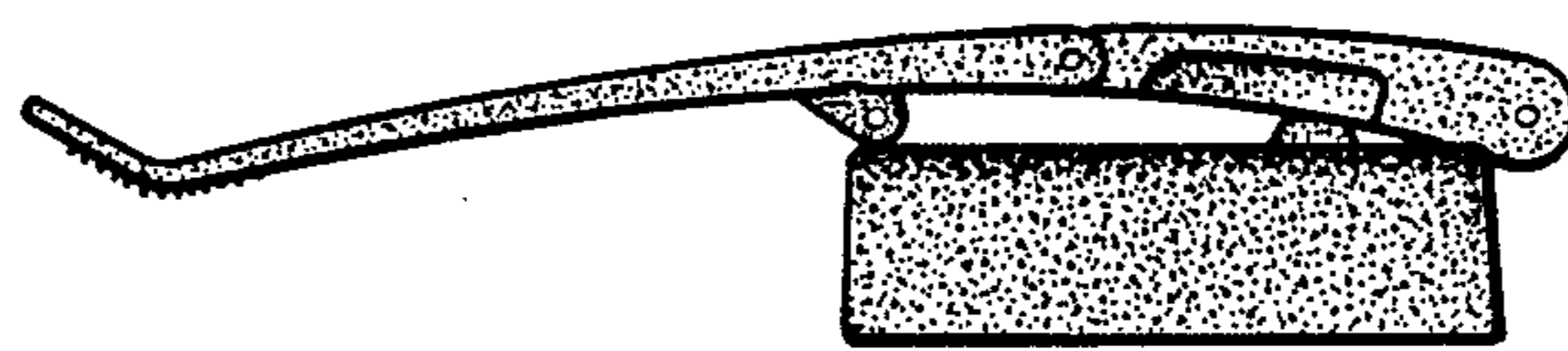


FIG. 3

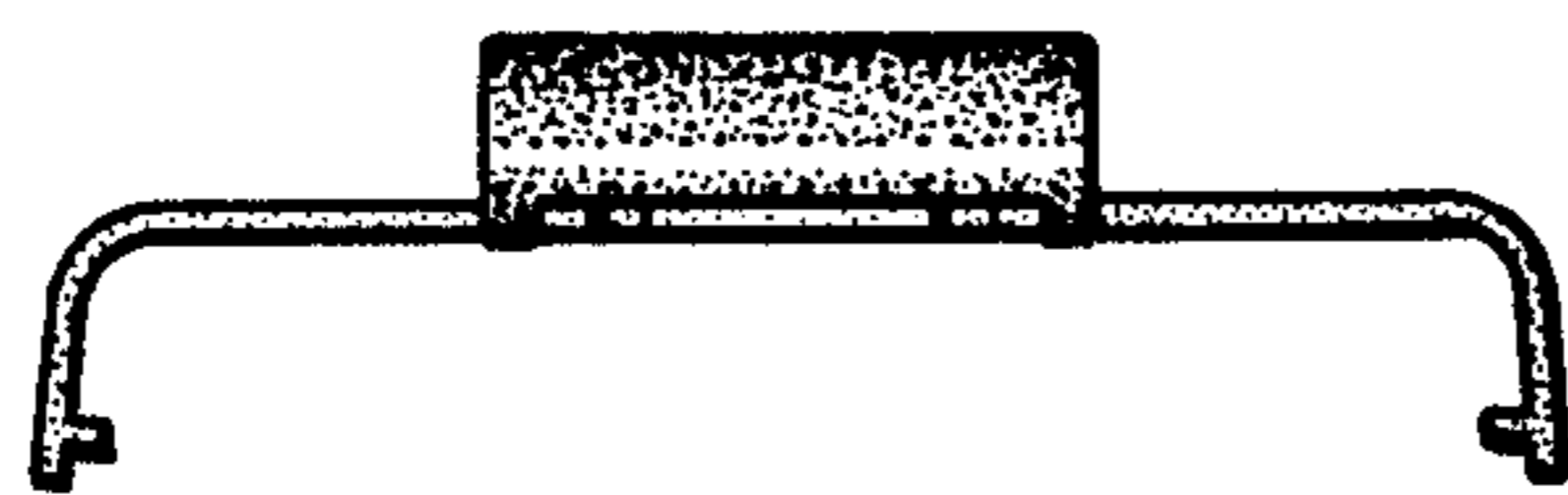


FIG. 4

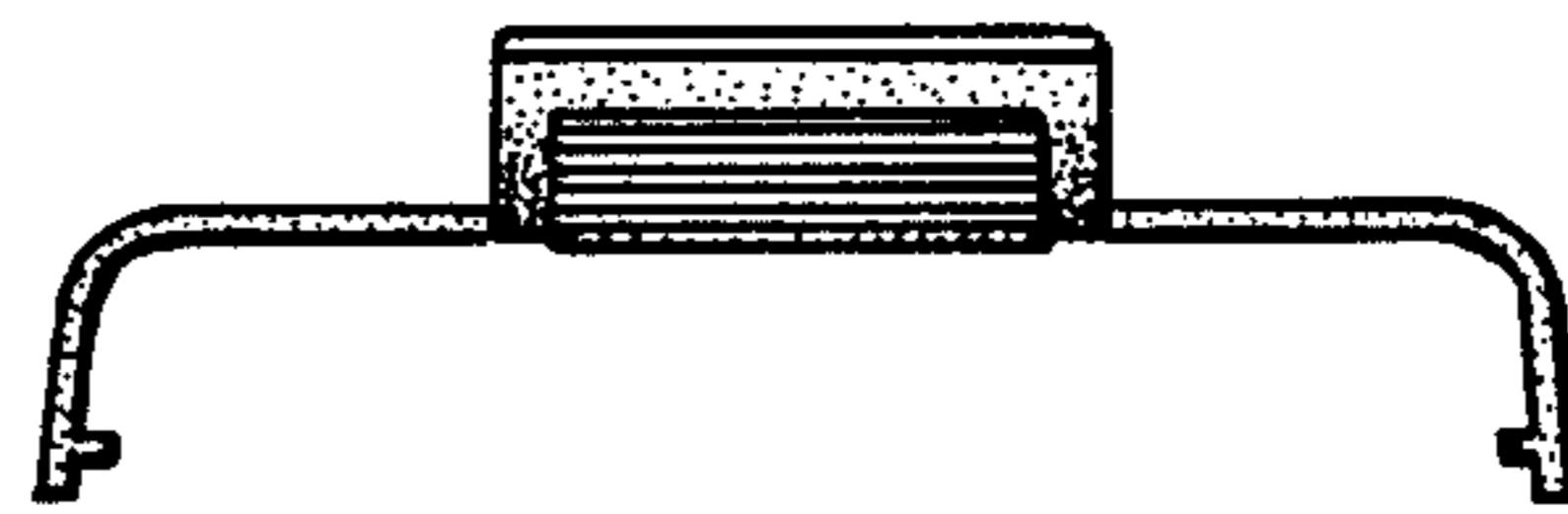


FIG. 5

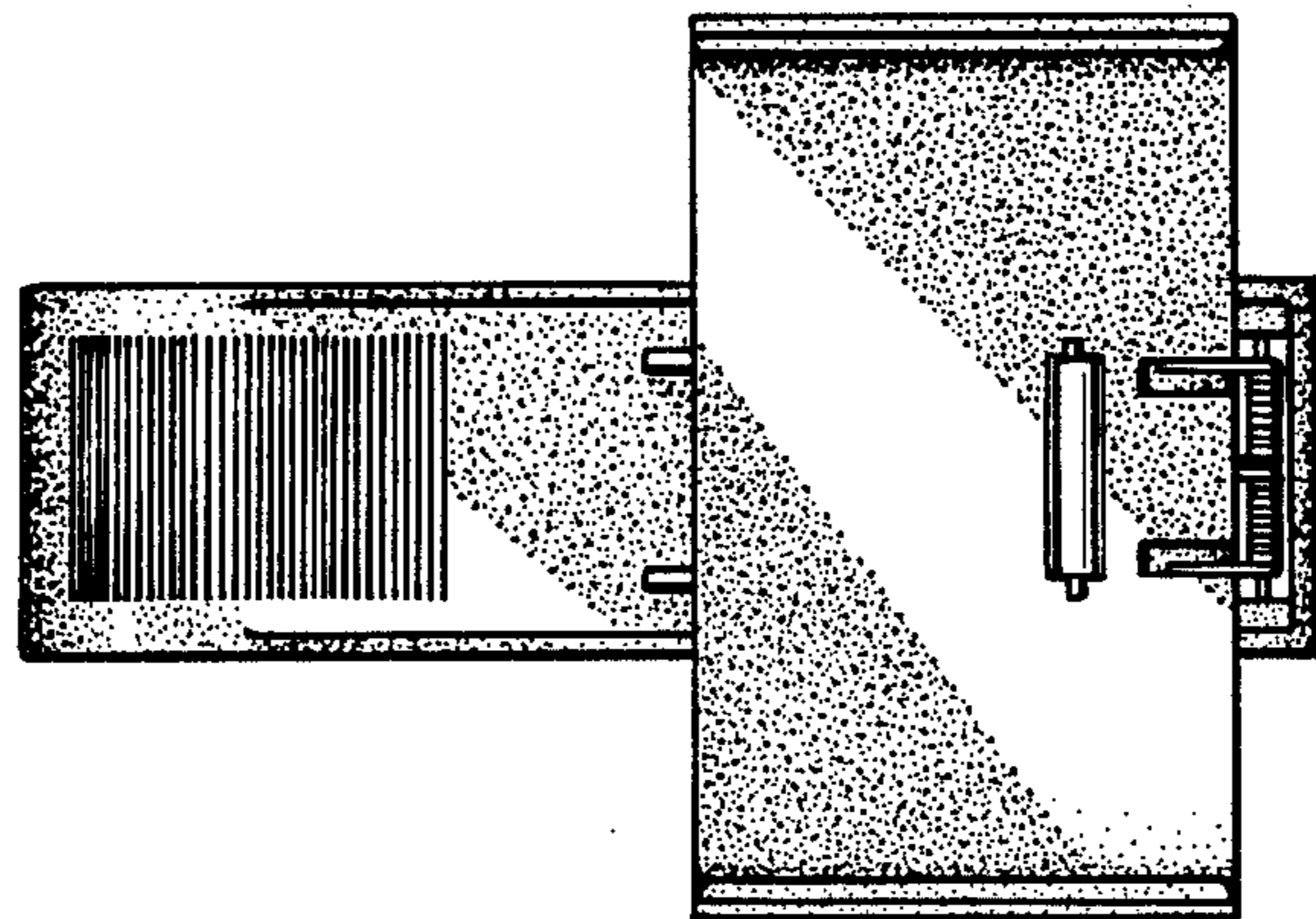


FIG. 6



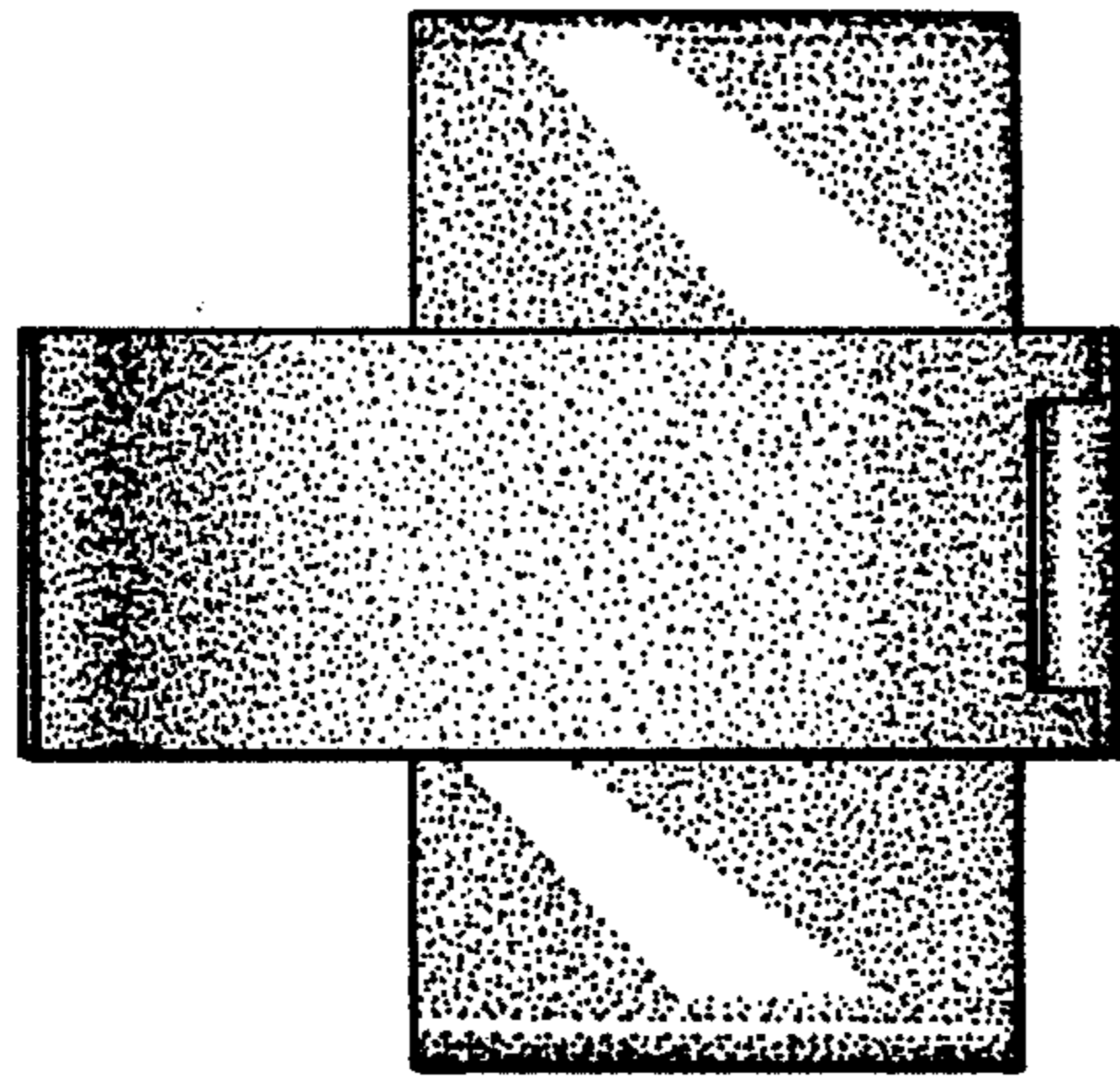


FIG. 8

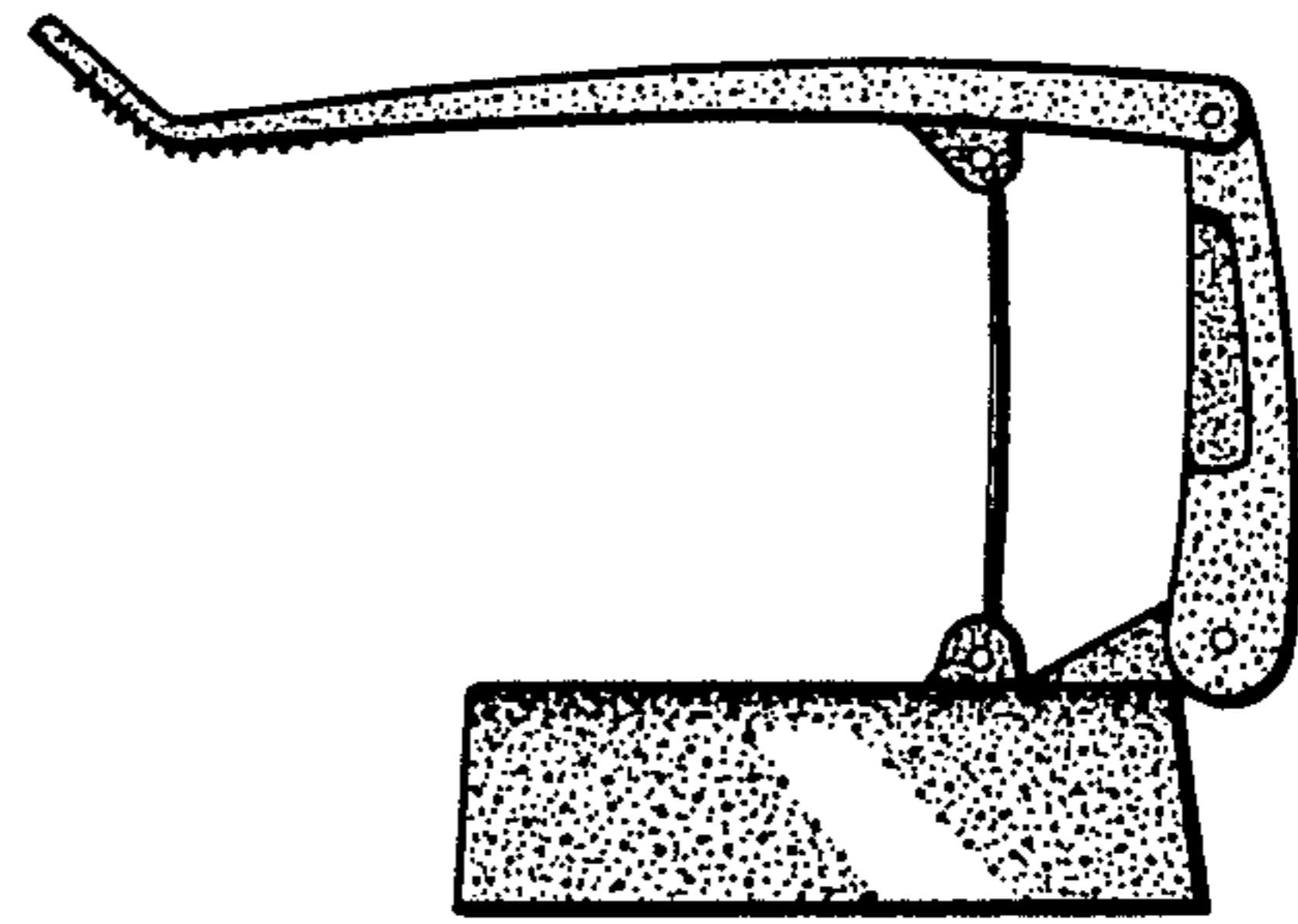


FIG. 9

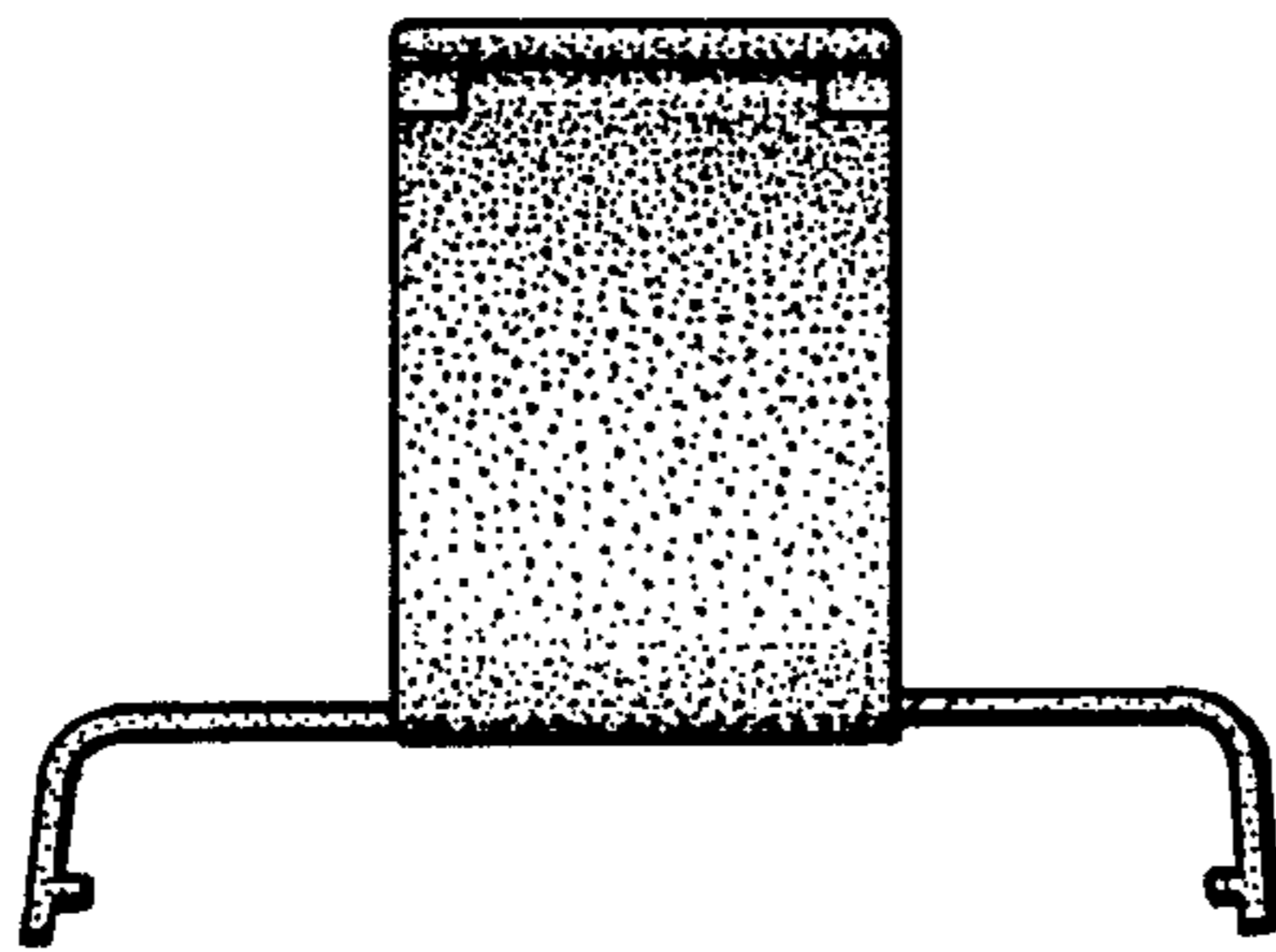


FIG. 10

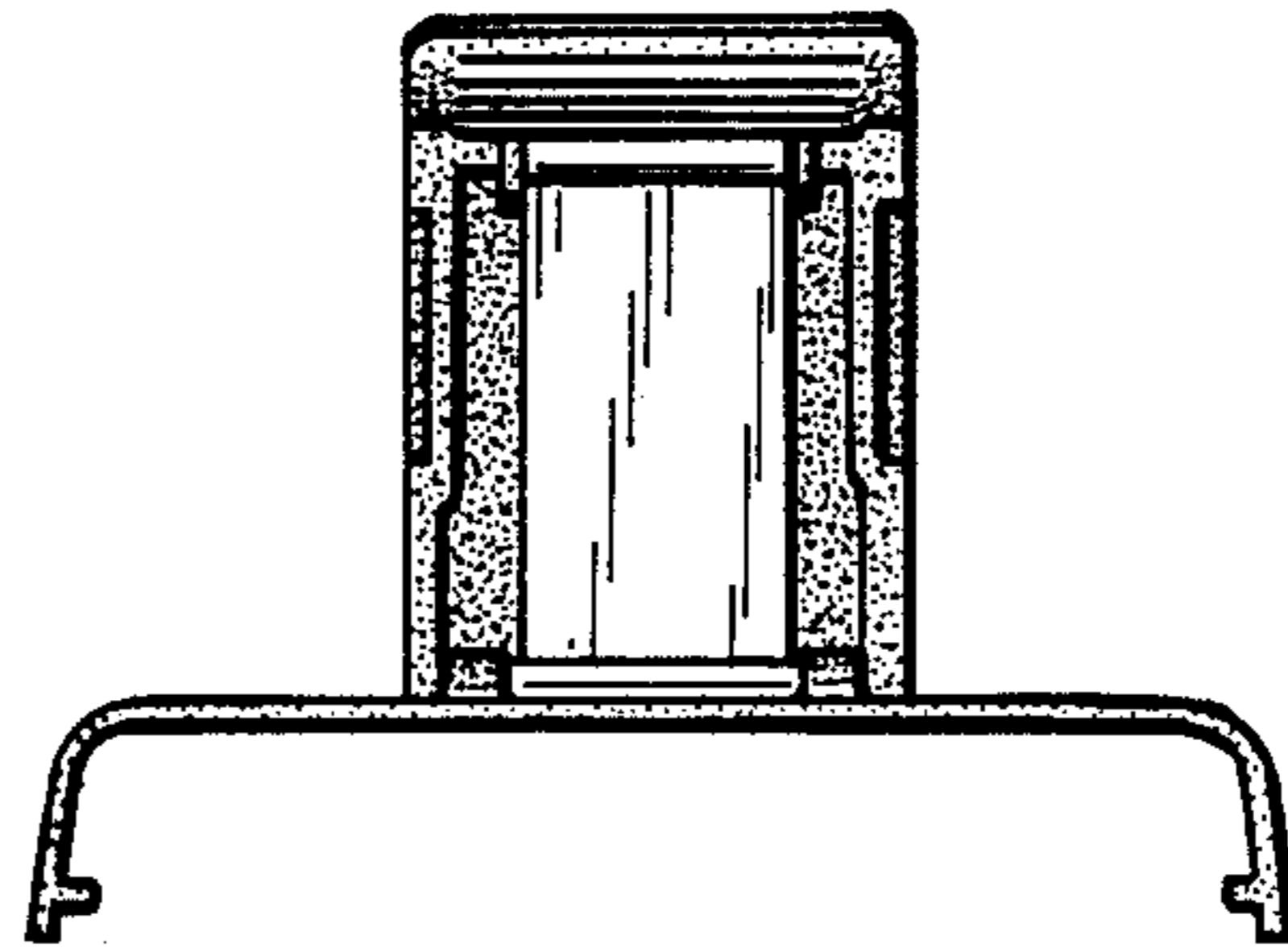


FIG. 11

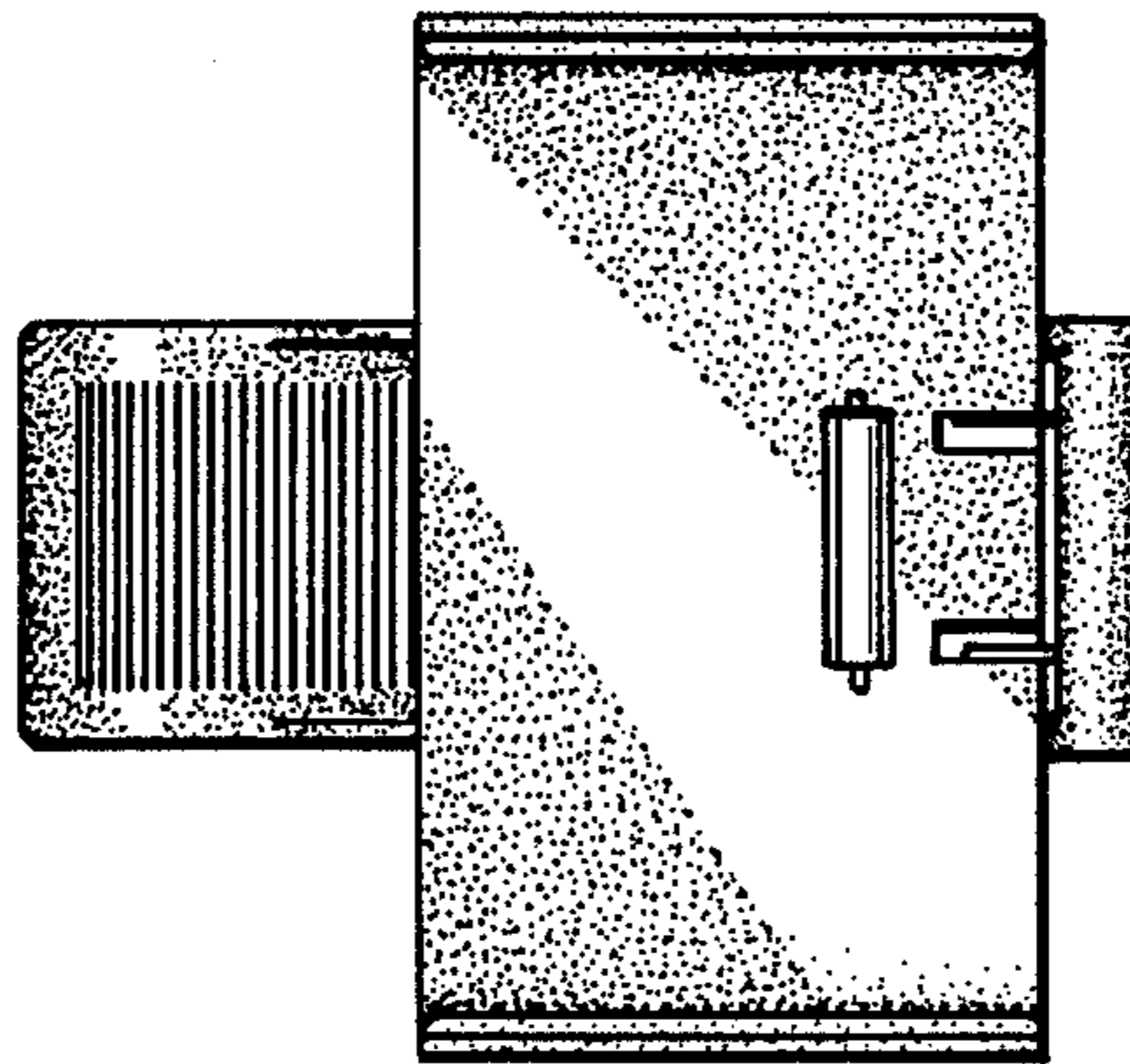


FIG. 12