

[54] CORD CLAMP

[76] Inventor: Gerhard Fildan, Dr.-Körner-Str. 64, Trumau, Austria

[**] Term: 14 Years

[21] Appl. No.: 273,866

[22] Filed: Nov. 18, 1988

[52] U.S. Cl. D8/383; D8/356; D8/394

[58] Field of Search D8/382, 394-396, D8/356, 383; D11/200; 24/115 R, 115 G, 130, 136 R; 439/817

[56] References Cited

U.S. PATENT DOCUMENTS

- D. 251,478 4/1979 Boden D8/383
- D. 299,310 1/1989 Fildan D8/356

- 865,531 9/1907 Robinso 24/115 G
- 4,328,605 5/1982 Hutchinson 24/136 R
- 4,506,417 3/1985 Hara 24/136 R
- 4,622,723 11/1986 Krauss 24/115 G

Primary Examiner—B. J. Bullock
Attorney, Agent, or Firm—Herbert Dubno; Ronald Lianides

[57] CLAIM

The ornamental design for a cord clamp, as shown.

DESCRIPTION

FIG. 1 is a front perspective view taken from above and to one side of the cord clamp in a closed position thereof showing my new design;

FIG. 2 is an elevational view of the other side thereof;

FIG. 3 is a rear elevational view thereof;

FIG. 4 is a bottom plan view thereof; and

FIG. 5 is a front elevational of the cord clamp in an open position thereof.

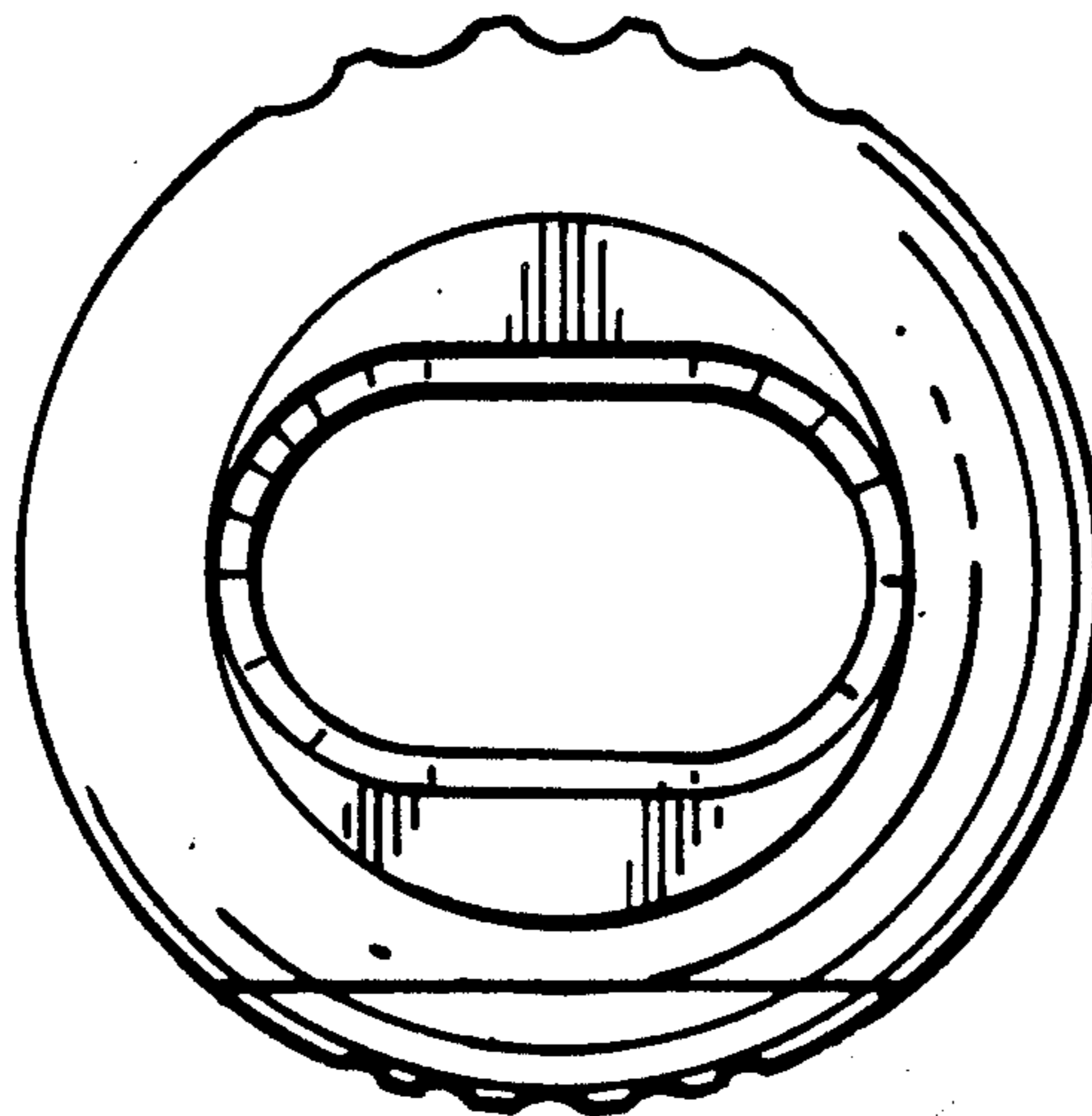
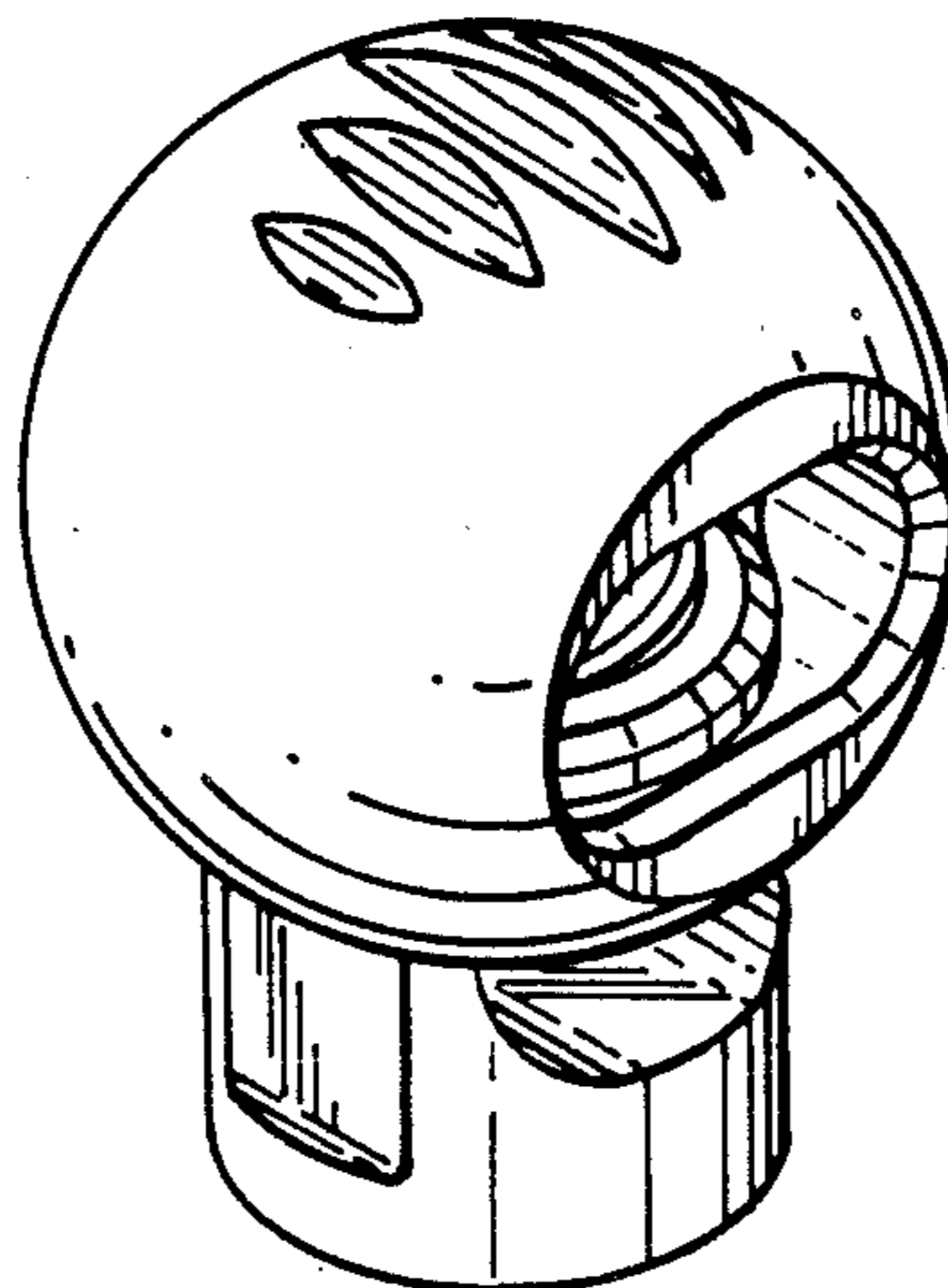


Fig.1.

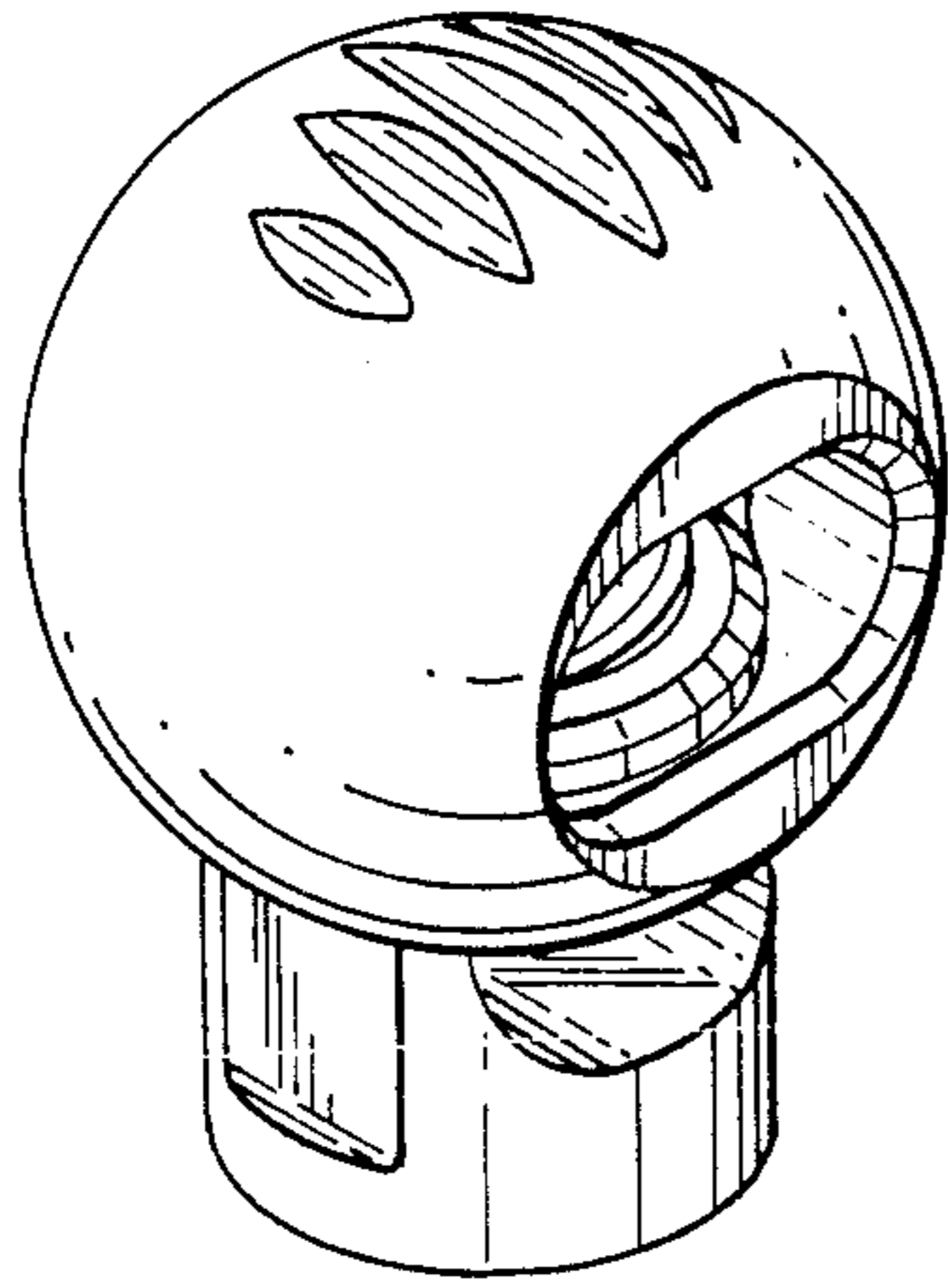


Fig.2.

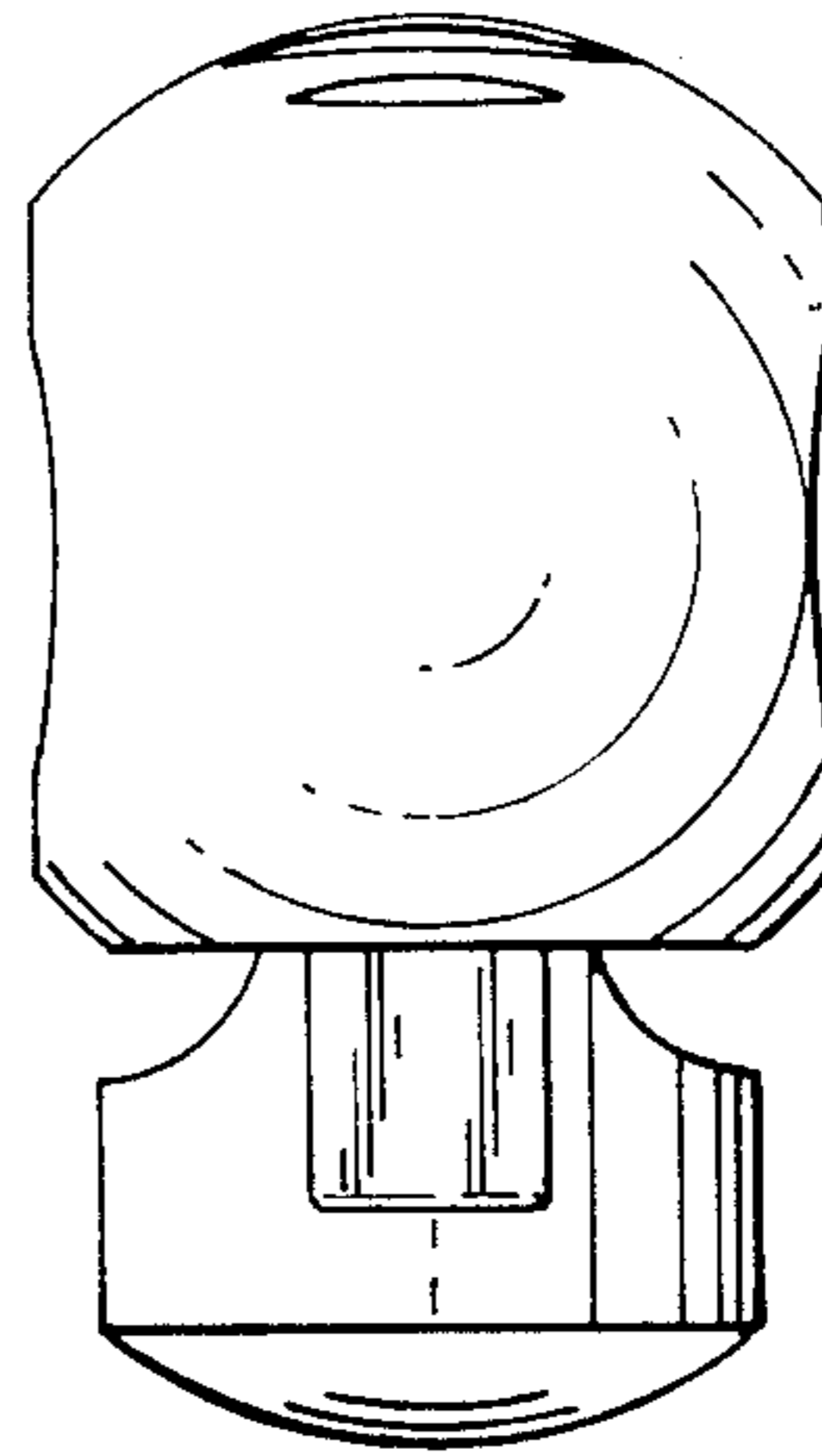


Fig.3.

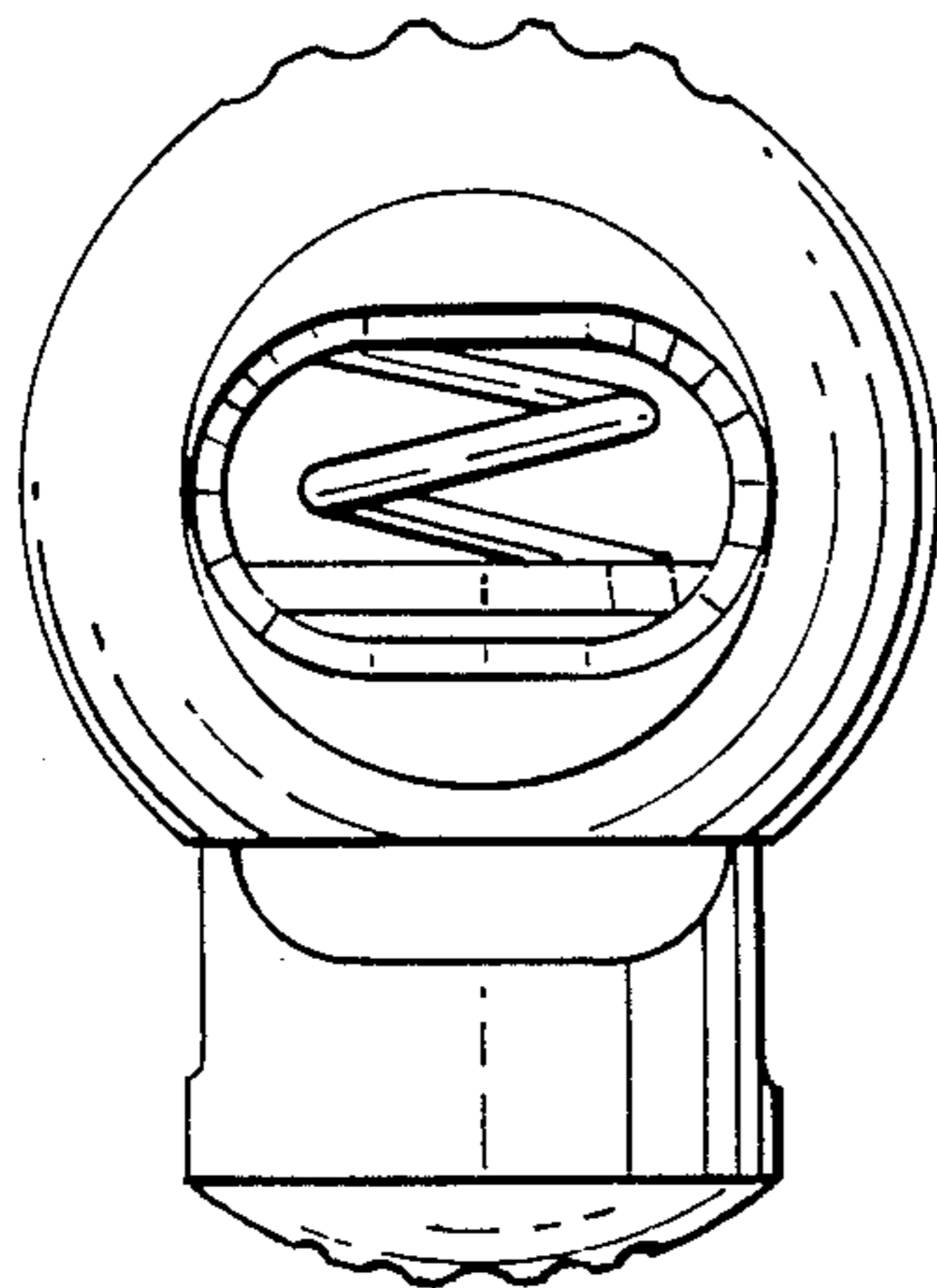


Fig.4.

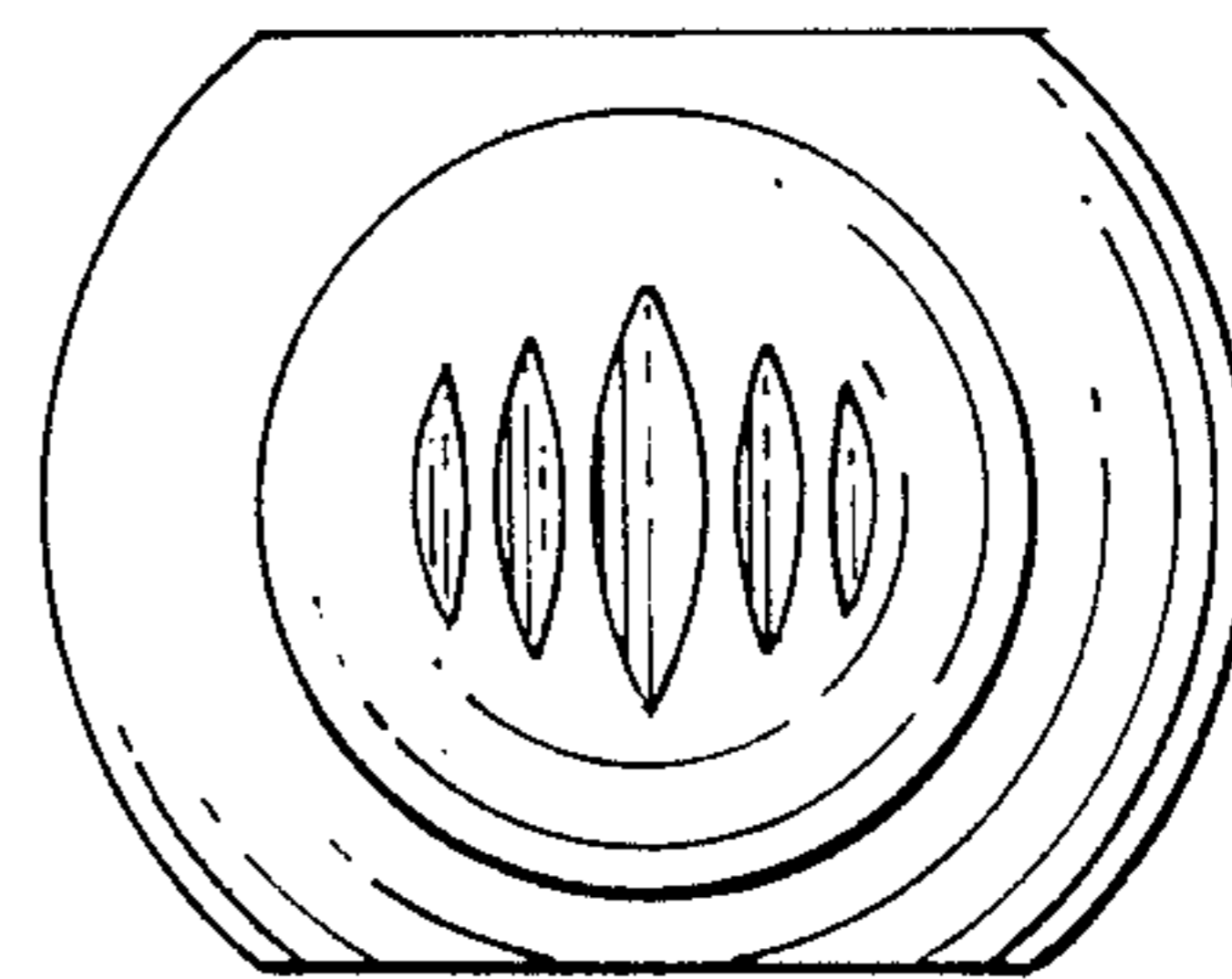


Fig.5.

