

[54] **NESTABLE TABLE**

[75] **Inventor: David P. G. Williams, Darien, Conn.**

[73] **Assignee: Mohasco Upholstered Furniture Corporation, Fairfax, Va.**

[**] **Term: 14 Years**

[21] **Appl. No.: 251,875**

[22] **Filed: Oct. 3, 1988**

[52] **U.S. Cl. D6/484**

[58] **Field of Search D6/396, 449, 462, 472, D6/480, 482-485; 108/91, 92, 111, 153, 157**

[56] **References Cited**

U.S. PATENT DOCUMENTS

D. 145,539 9/1946 Sky D6/483

OTHER PUBLICATIONS

Design Institute of America (DIA, Inc.), 1983, #2 Binder, Portfolio Section, any one of tables, (Design Pub).

Primary Examiner—Bruce W. Dunkins

Assistant Examiner—Janice Seeger

Attorney, Agent, or Firm—Wolf Greenfield & Sacks

[57] **CLAIM**

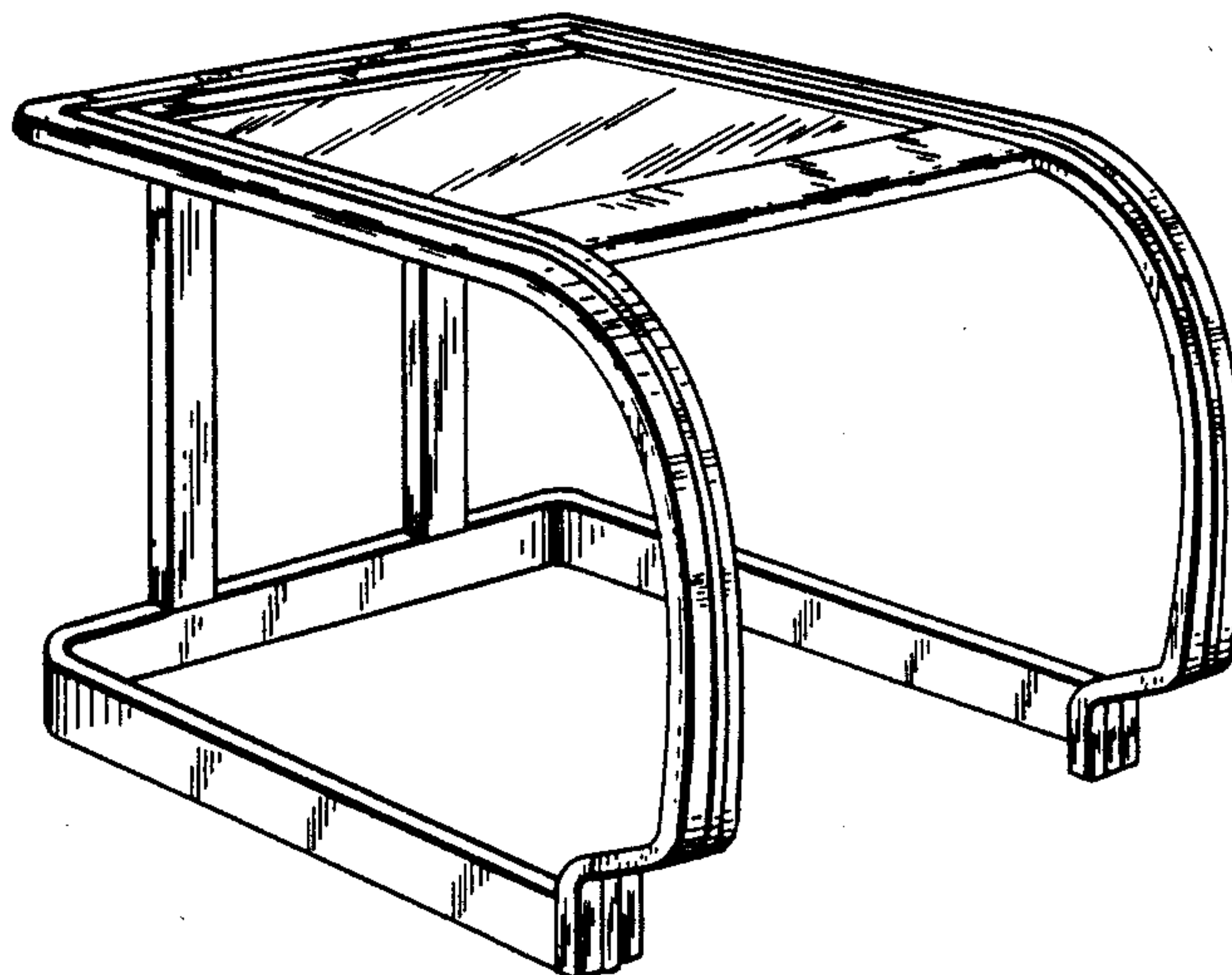
The ornamental design for a nestable table, as shown and described.

DESCRIPTION

FIG. 1 is perspective view of a nestable table, showing my new design;

FIG. 2 is a top plan view thereof; and

FIG. 3 is a rear elevational view thereof.



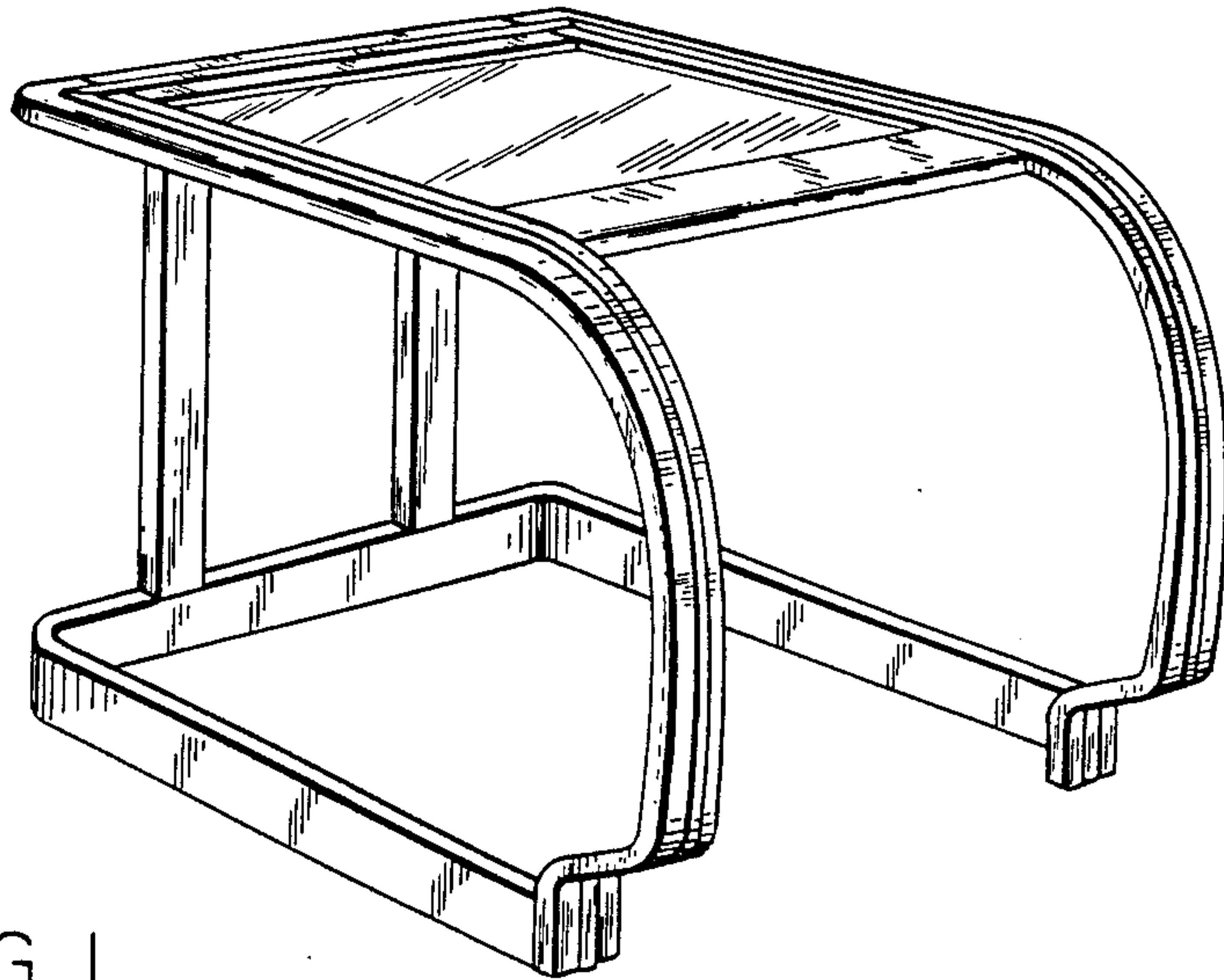


FIG. 1

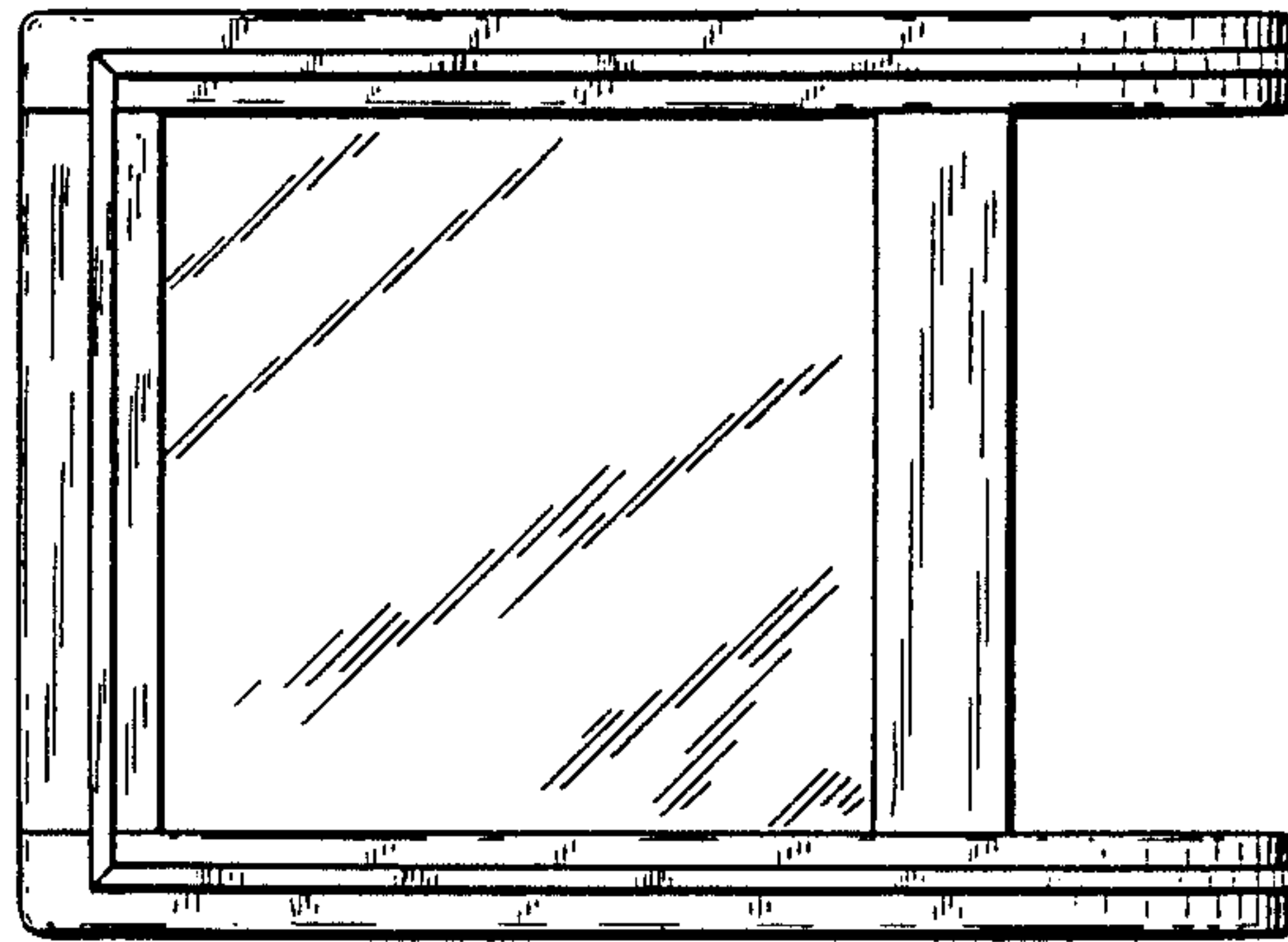


FIG. 2

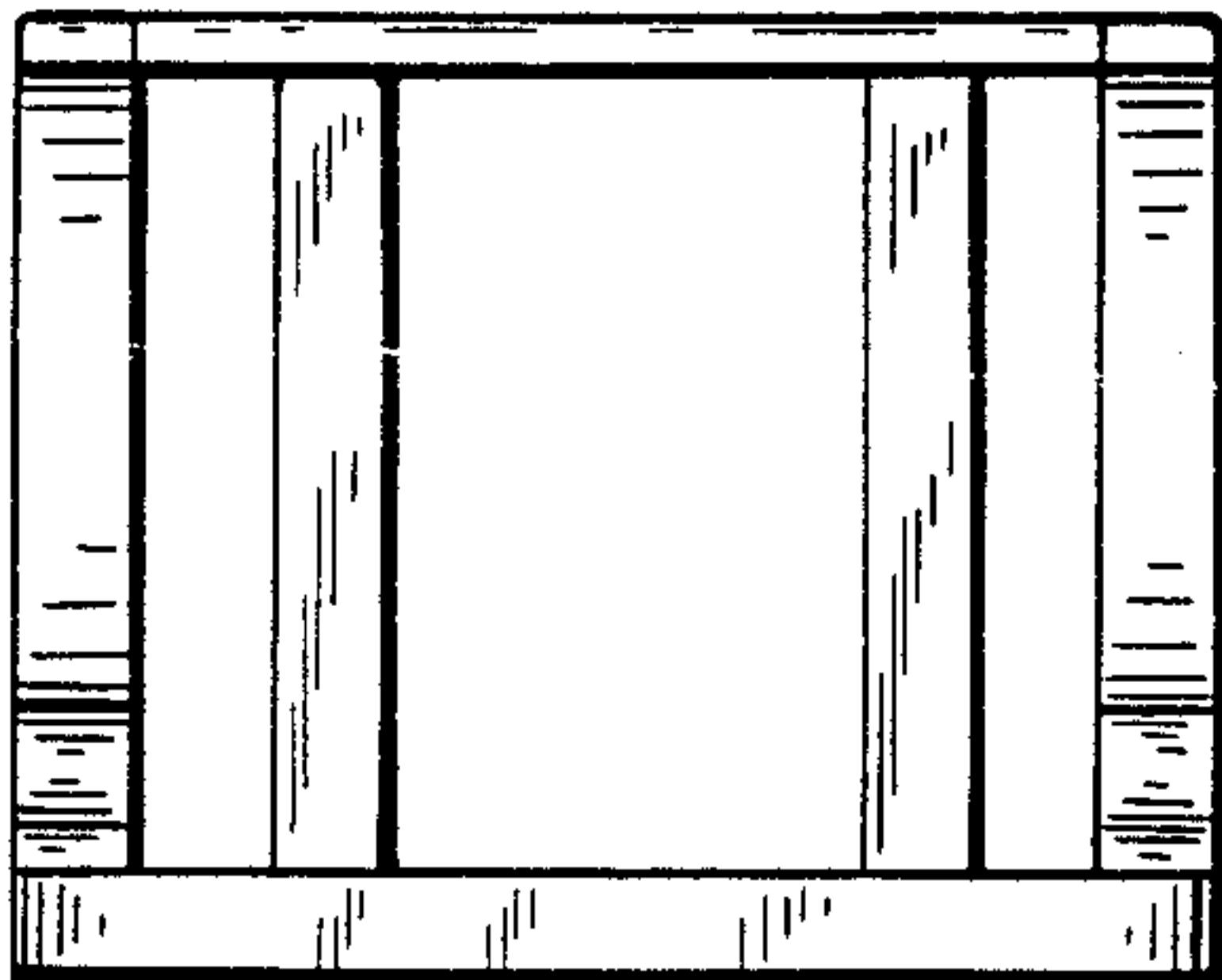


FIG. 3