

[54] PLATE STAND

[75] Inventors: Gunars Mencis, Lockport; John L. DeCosta, Evanston; Melvin Schlicker, Hawthorne Woods, all of Ill.

[73] Assignee: Van Hygan & Smythe, Niles Chicago, Ill.

[\*\*] Term: 14 Years

[21] Appl. No.: 96,847

[22] Filed: Sep. 15, 1987

[52] U.S. Cl. .... D6/449; D6/450; D11/164

[58] Field of Search ..... D11/164; D6/310-314, D6/449, 450; 248/450, 453

[56] References Cited

U.S. PATENT DOCUMENTS

|            |        |        |       |        |
|------------|--------|--------|-------|--------|
| D. 26,932  | 4/1897 | Gill   | ..... | D6/310 |
| D. 89,675  | 4/1933 | Baetz  | ..... | D6/310 |
| D. 89,676  | 4/1933 | Baetz  | ..... | D6/310 |
| D. 158,382 | 5/1950 | Herman | ..... | D6/310 |

|            |        |            |       |        |
|------------|--------|------------|-------|--------|
| D. 276,961 | 1/1985 | Kemper     | ..... | D6/312 |
| 651,215    | 6/1900 | Timberlake | ..... | D6/313 |

OTHER PUBLICATIONS

Miya Importing Co. Catalog; 1966; p. 9, Item W300 Plate Stand.

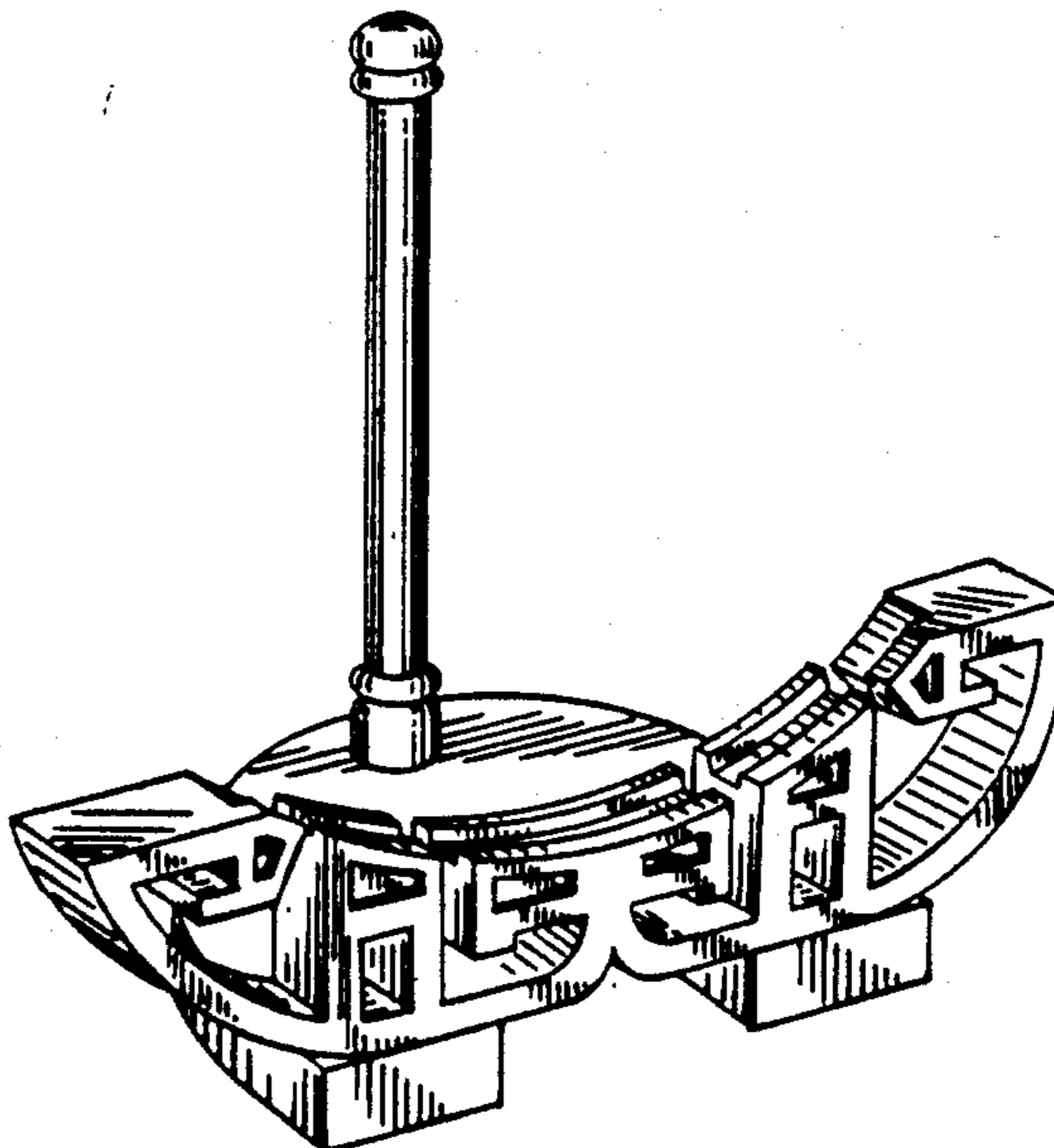
Primary Examiner—B. J. Bullock  
Assistant Examiner—Dominic Simone  
Attorney, Agent, or Firm—Dressler, Goldsmith, Shore, Sutker & Milnamow, Ltd.

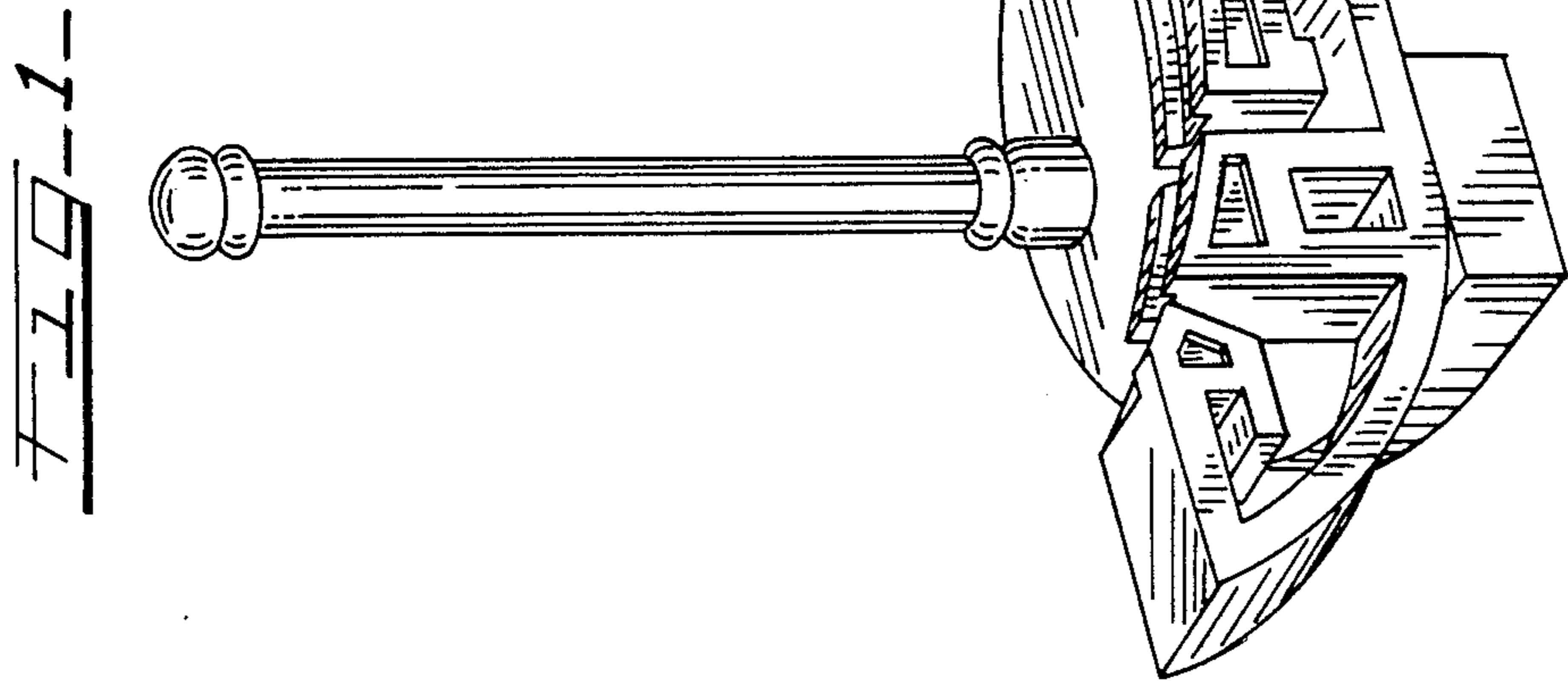
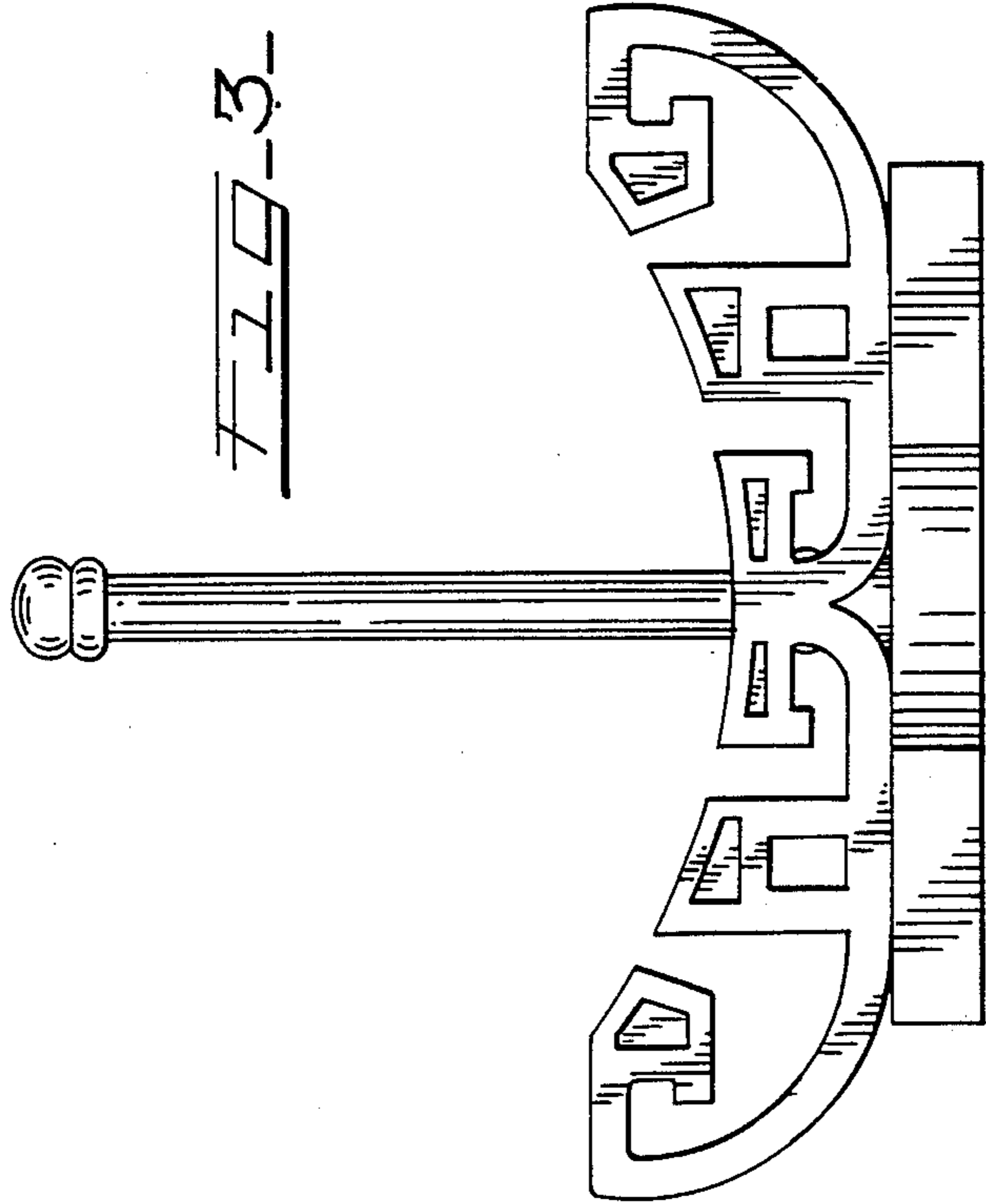
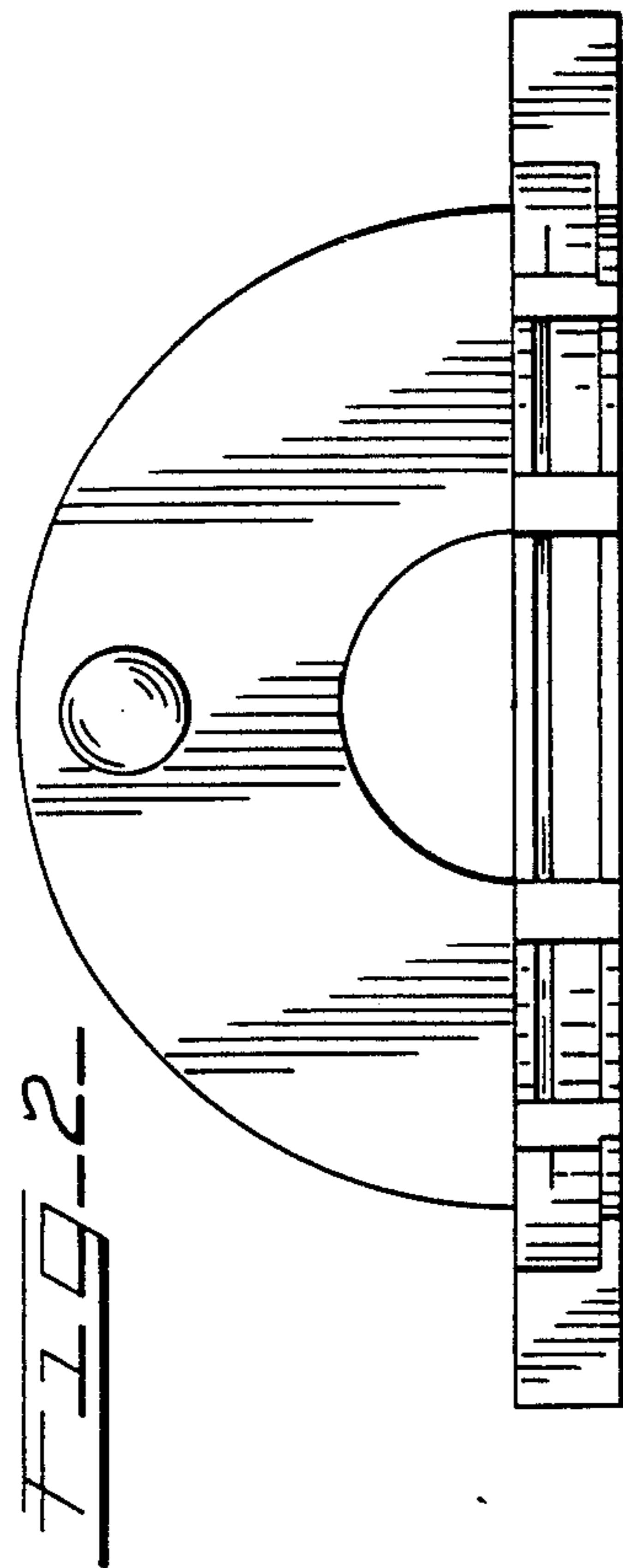
[57] CLAIM

The ornamental design for a plate stand, as shown and described.

DESCRIPTION

FIG. 1 is a front perspective view of a plate stand showing our new design;  
FIG. 2 is a top plan view thereof;  
FIG. 3 is a front elevational view thereof;  
FIG. 4 is a right side elevational view thereof, the left side elevational view thereof being a mirror image;  
FIG. 5 is a rear elevational view thereof; and  
FIG. 6 is a bottom plan view thereof.





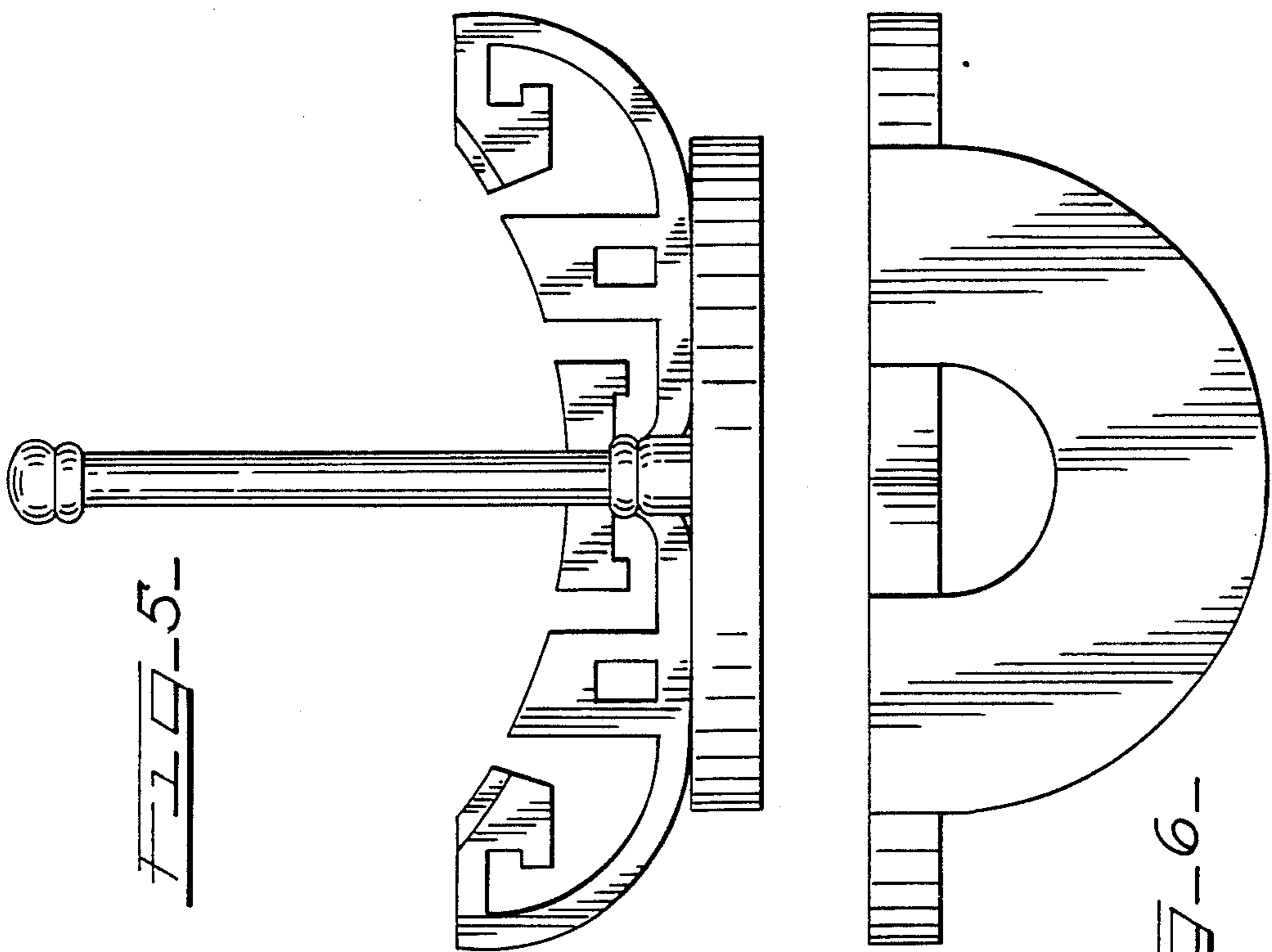


Fig. 4-

