

# United States Patent [19]

Dozsa-Farkas

[11] Patent Number: **Des. 310,141**

[45] Date of Patent: **\*\* Aug. 28, 1990**

[54] **CHAIR**

[75] Inventor: **Andras Dozsa-Farkas**, Munich, Fed. Rep. of Germany

[73] Assignee: **Giroflex Entwicklungs AG**, Koblenz, Switzerland

[\*] Notice: The portion of the term of this patent subsequent to Jul. 31, 2004 has been disclaimed.

[\*\*] Term: **14 Years**

[21] Appl. No.: **32,088**

[22] Filed: **Mar. 30, 1987**

[30] **Foreign Application Priority Data**

Dec. 30, 1986 [CH] Switzerland ..... 008001

[52] U.S. Cl. .... **D6/366**

[58] Field of Search ..... D6/379, 371, 372, 380, D6/334, 366

[56] **References Cited**

## U.S. PATENT DOCUMENTS

D. 279,947 8/1985 Ballarini ..... D6/334

D. 282,224 1/1986 Huldt ..... D6/375  
D. 285,629 9/1986 Franck et al. .... D6/366  
D. 286,106 10/1986 Franck et al. .... D6/372  
D. 301,662 6/1989 Vonhausen ..... D6/366

## OTHER PUBLICATIONS

Design, Dec. 1979, p. 26, Chair, top right.  
Interiors, Feb. 1985, p. 131, chair, right center.

*Primary Examiner*—Bruce W. Dunkins

*Assistant Examiner*—Ann Hunt

*Attorney, Agent, or Firm*—Werner W. Kleeman

[57] **CLAIM**

The ornamental design for chair, as shown and described.

## DESCRIPTION

FIG. 1 is a perspective view of the chair showing my new design;

FIG. 2 is a front elevational view;

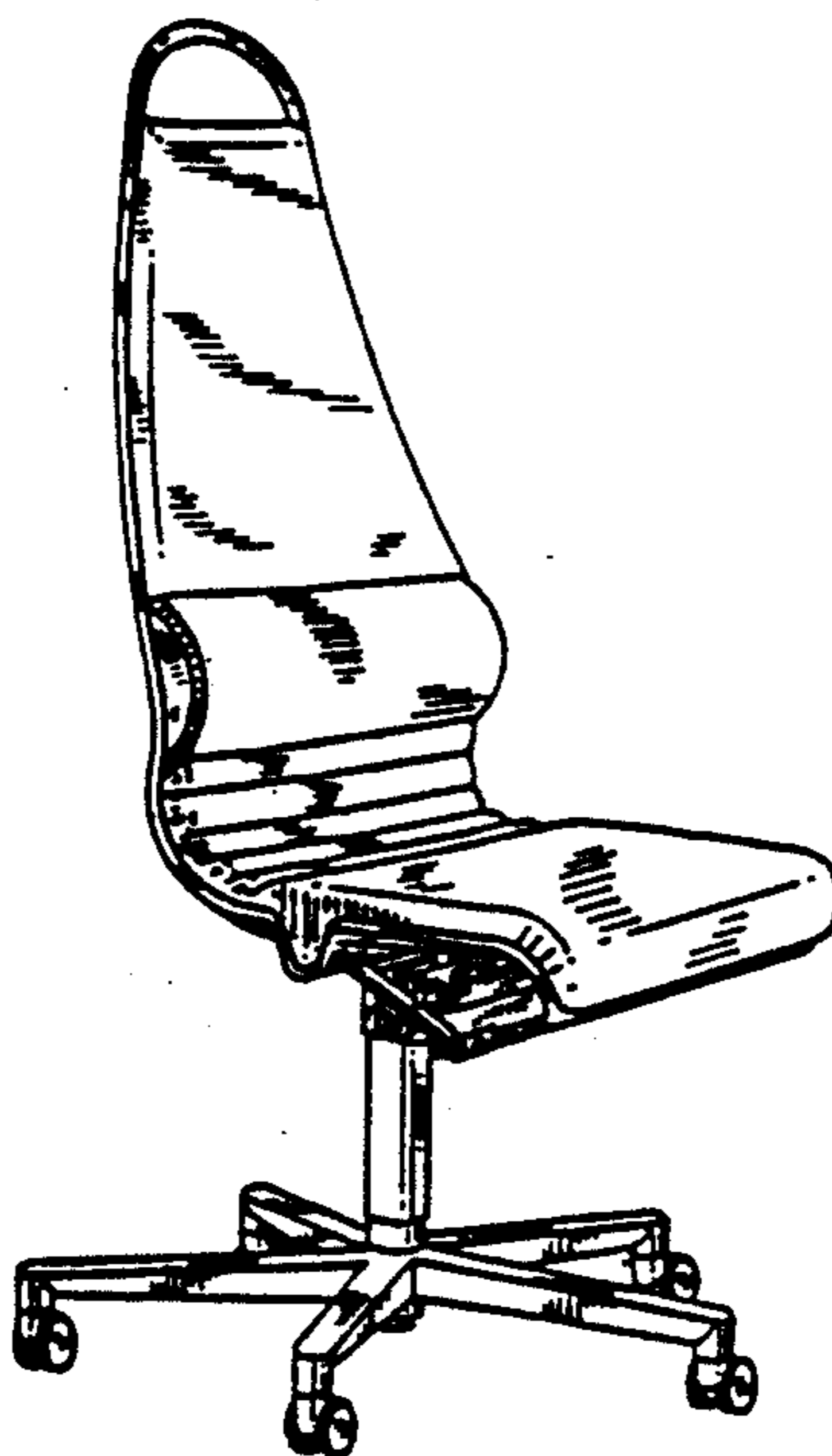
FIG. 3 is a side elevational view;

FIG. 4 is the opposite side elevational view to that shown in FIG. 3;

FIG. 5 is a rear elevational view;

FIG. 6 is a top plan view; and

FIG. 7 is a bottom plan view.



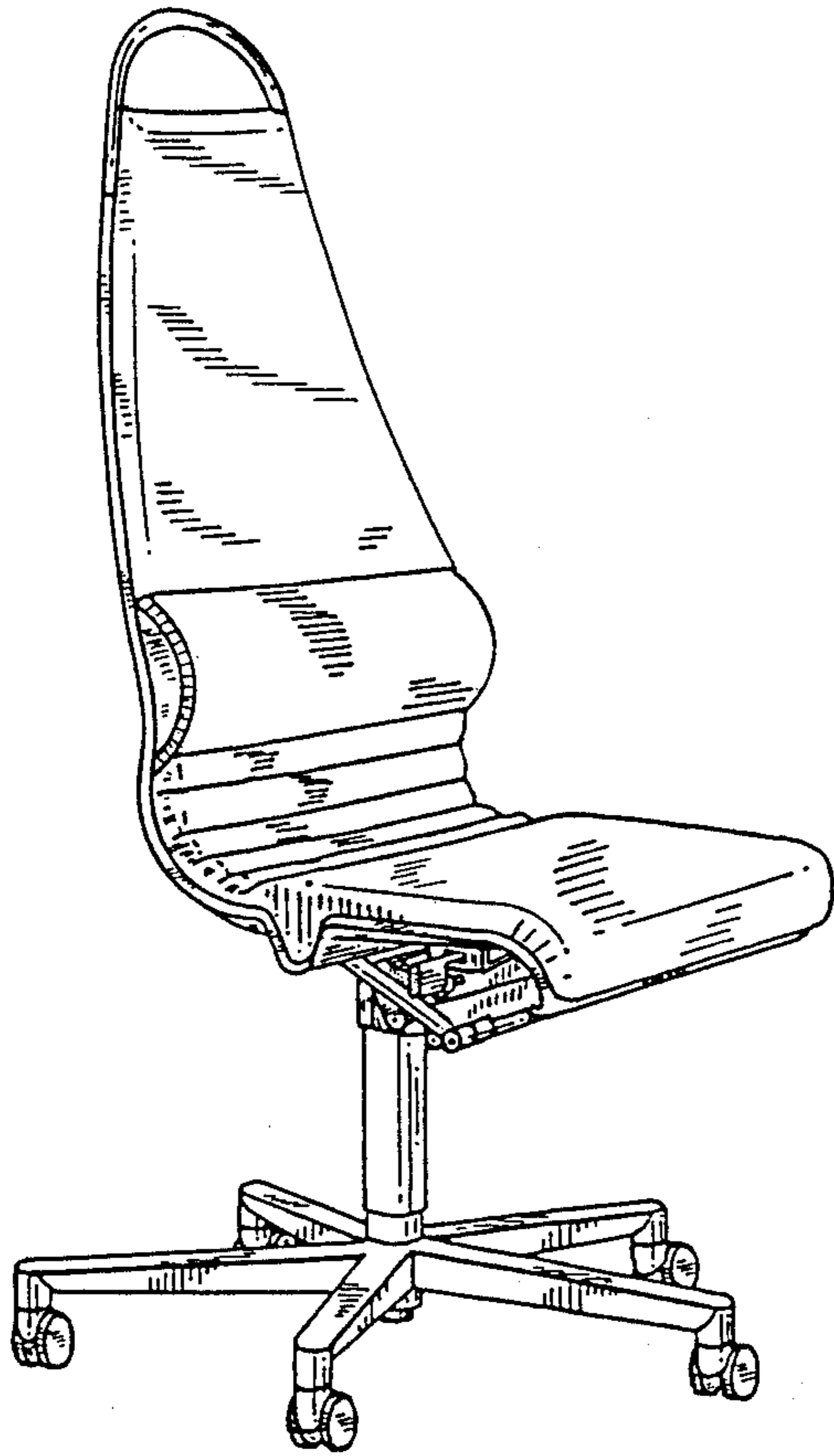


Fig. 1

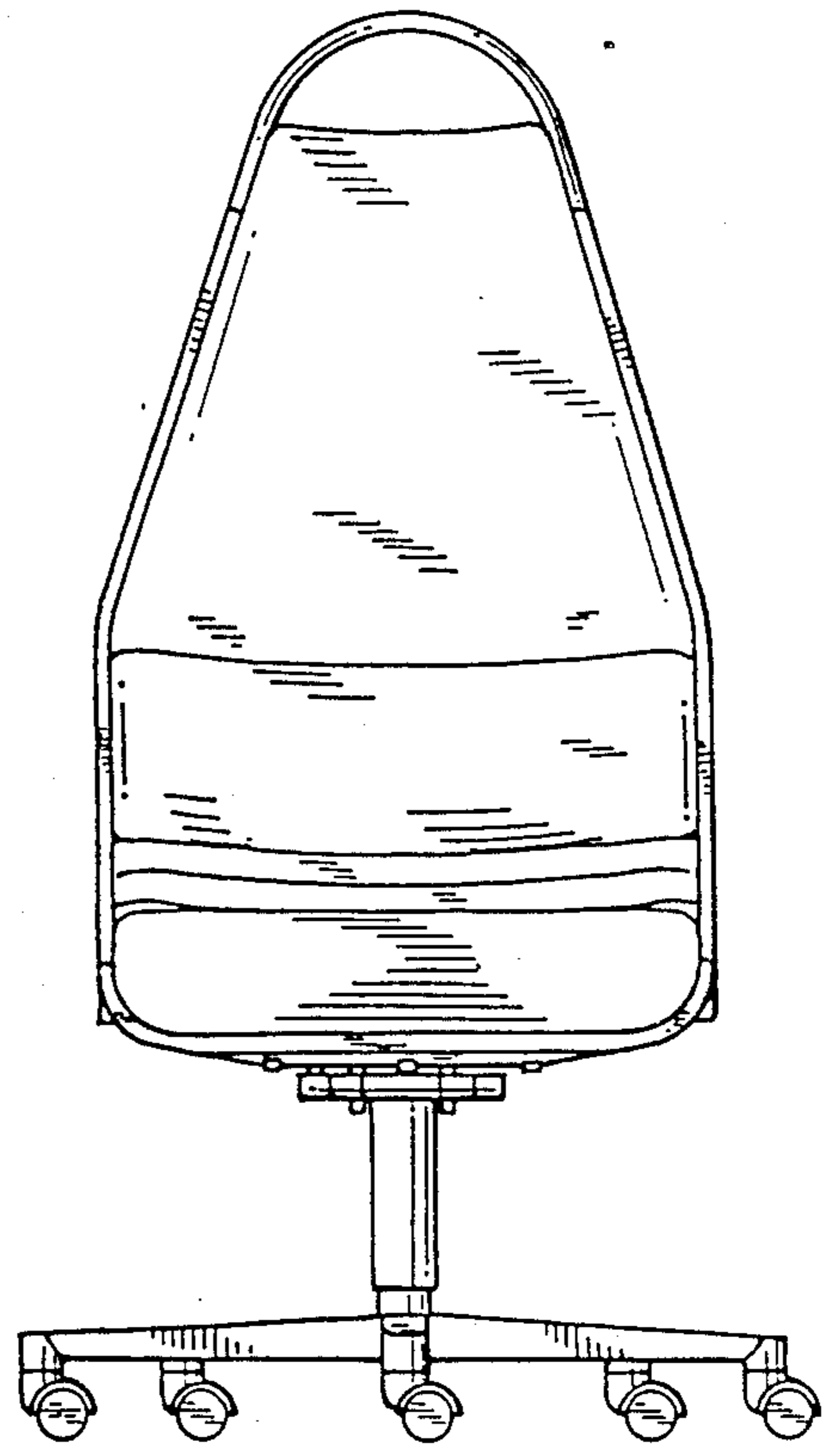


Fig. 2

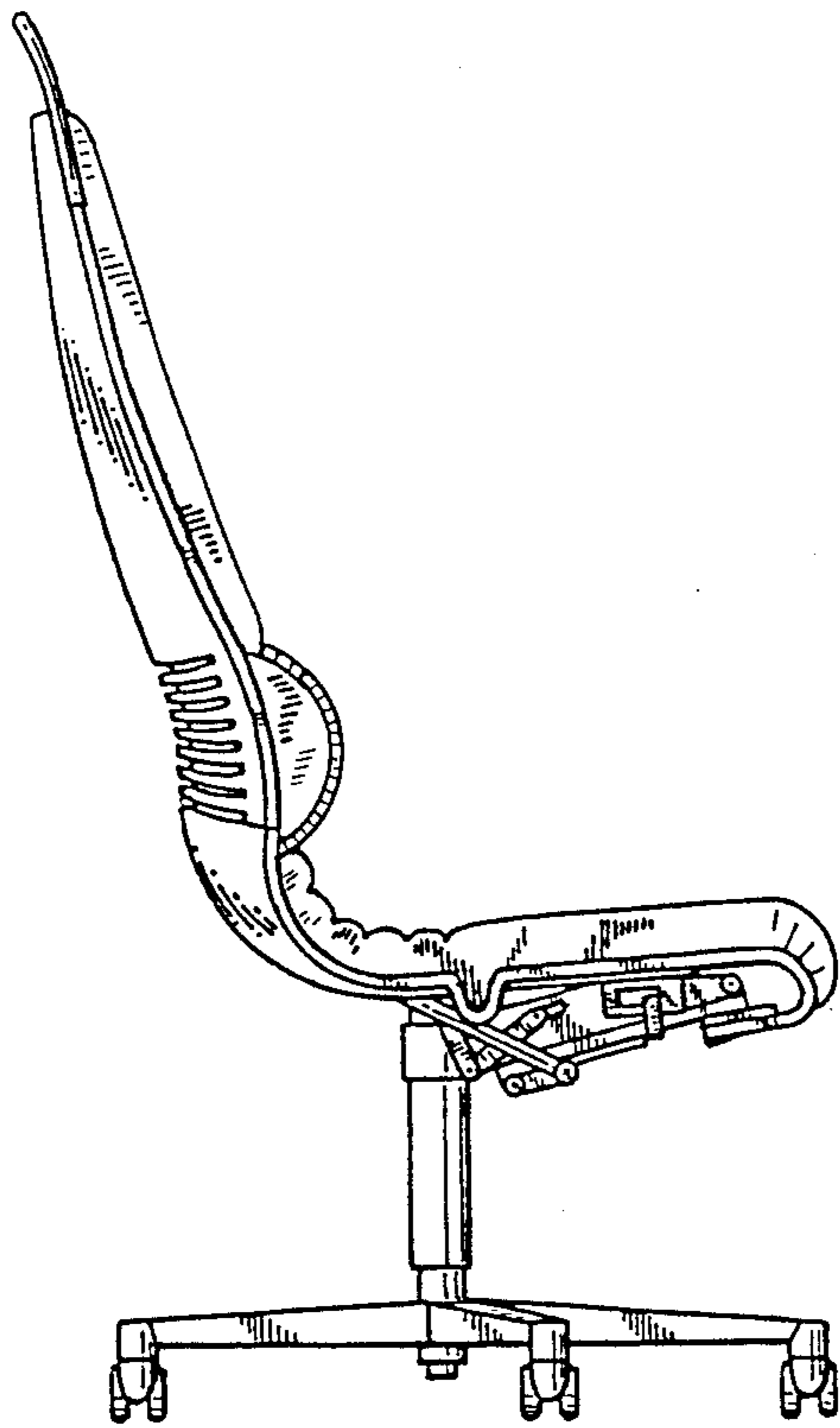


Fig. 3

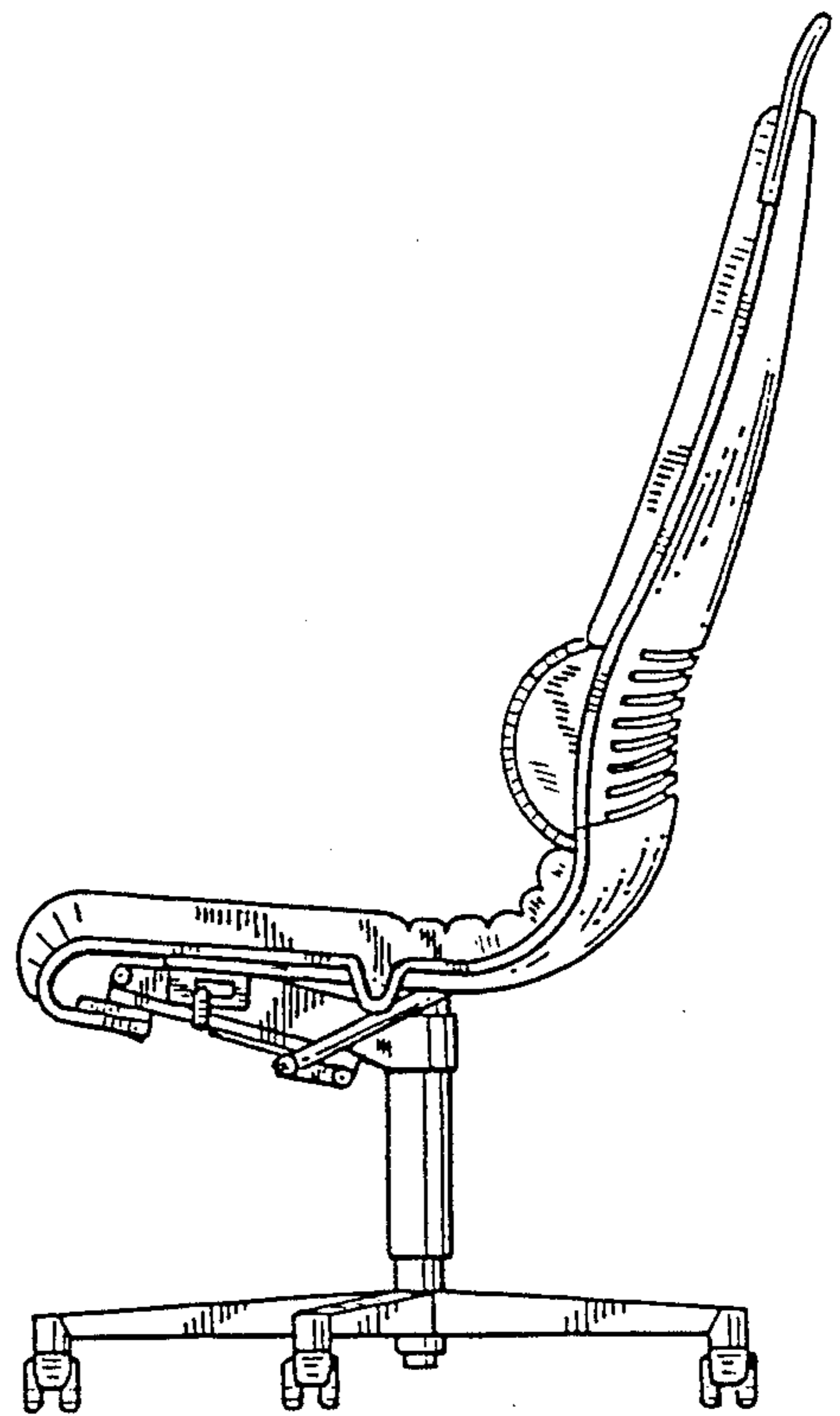


Fig. 4

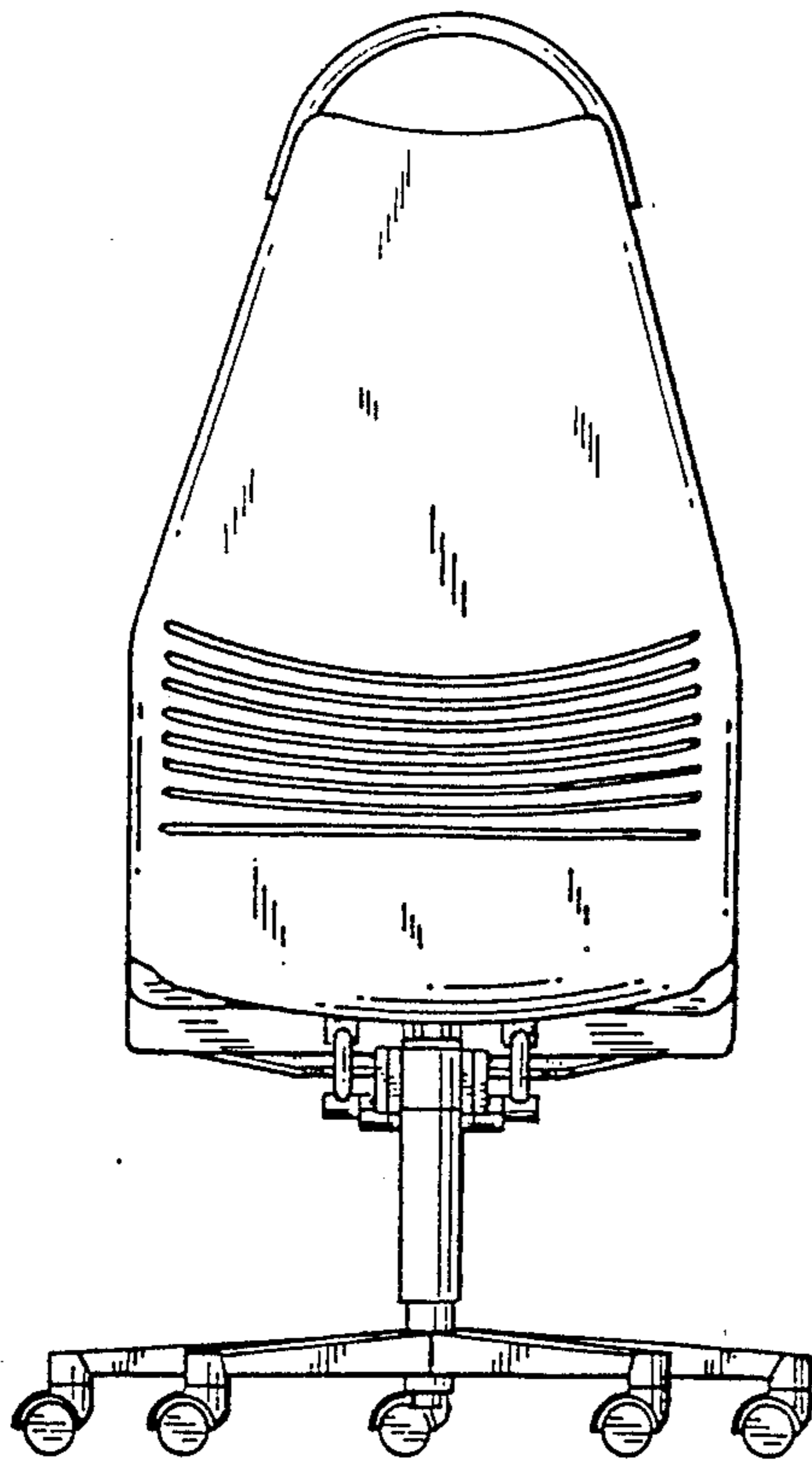


Fig. 5

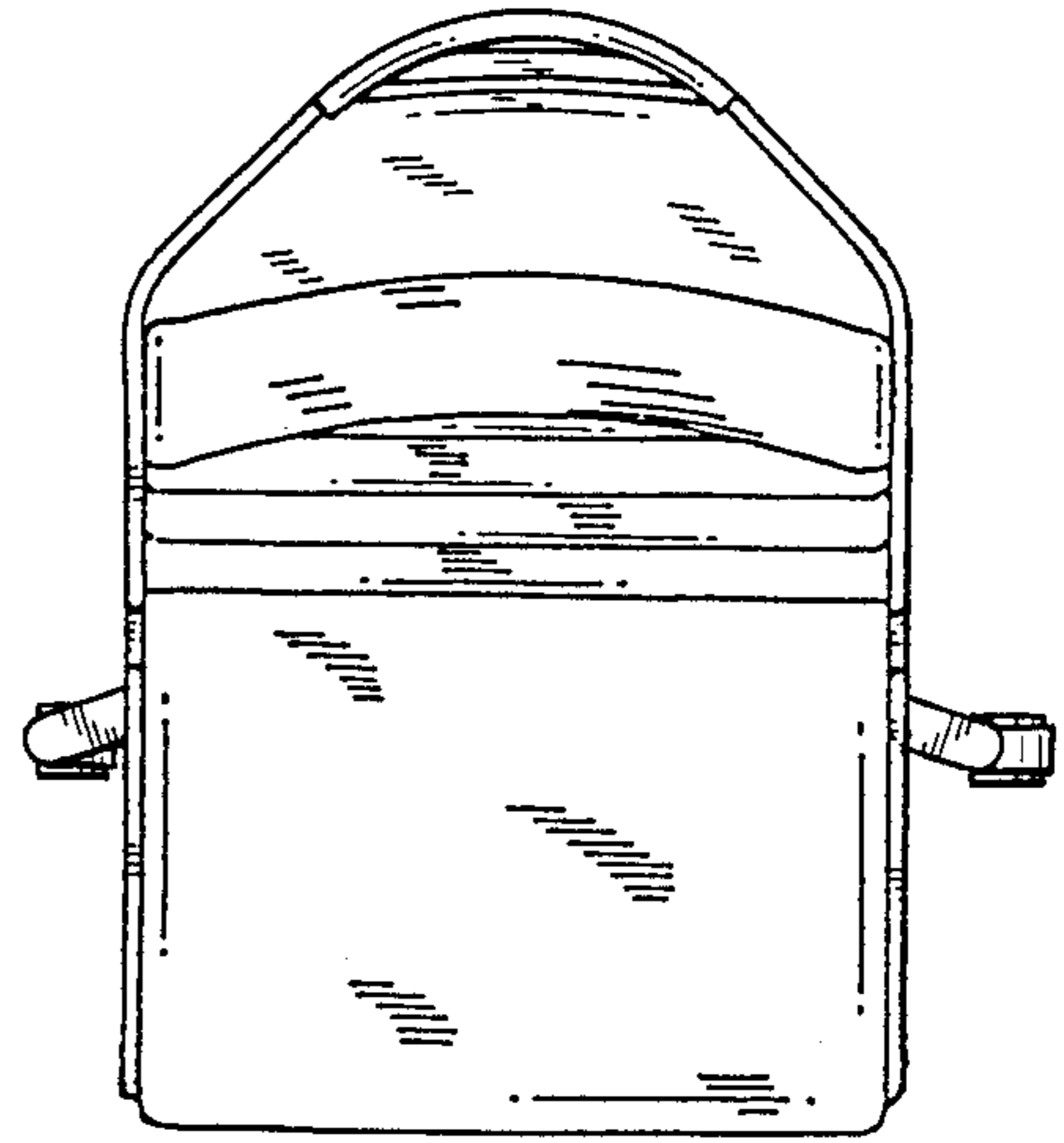


Fig. 6

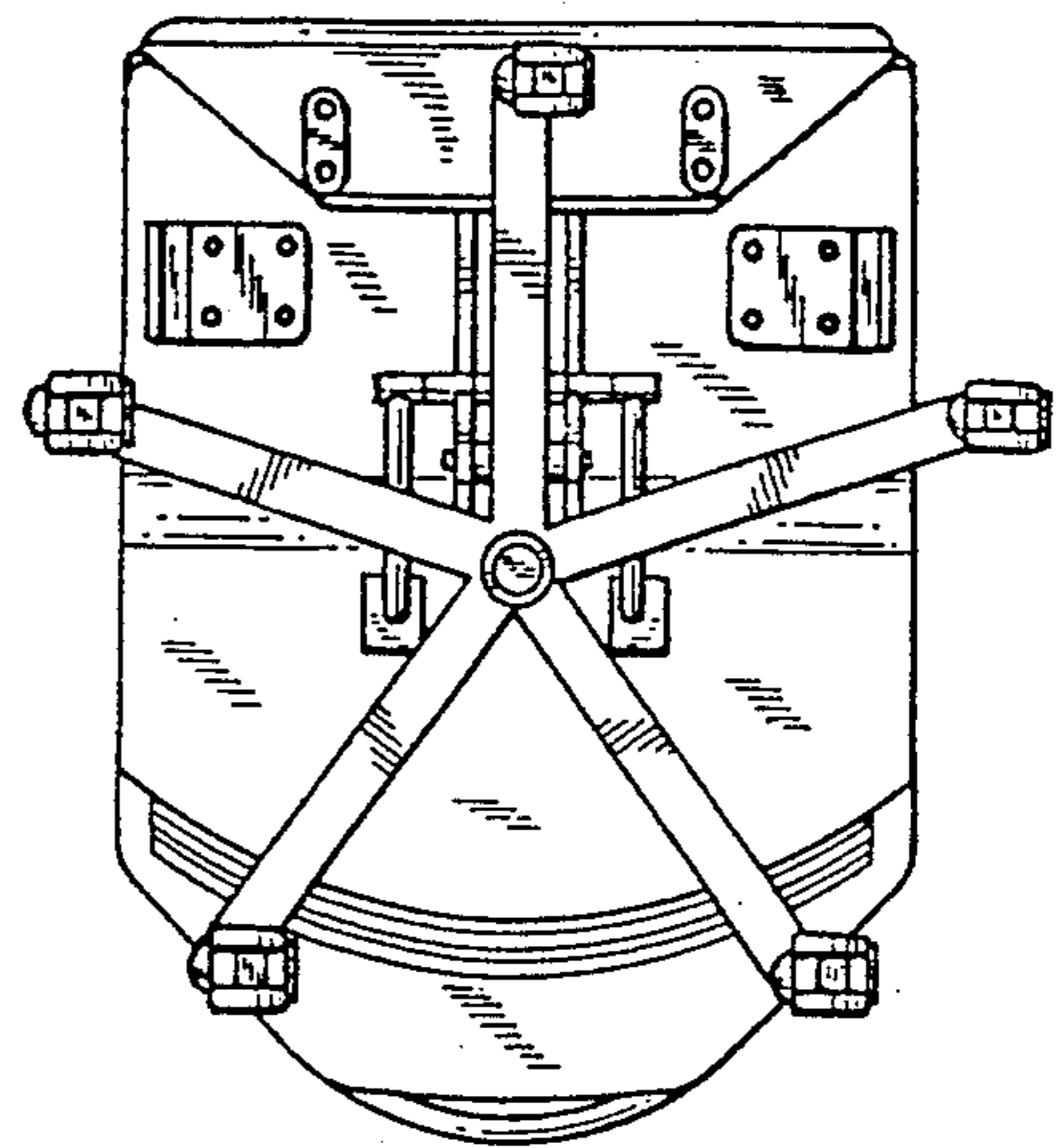


Fig. 7