

[54] KEY RING HOLDER

[76] Inventor: Summer MacDonald, P.O. Box 2552, Providence, R.I. 02906

[\*\*] Term: 14 Years

[21] Appl. No.: 46,896

[22] Filed: May 7, 1987

[52] U.S. Cl. .... D3/61

[58] Field of Search ..... D3/61-64; D8/339, 331, 382; D30/39; 24/239, 231, 3 K, 230.5 AD, 241 PS, 241 SL, 241 SP, 241 SB; 70/459, 456 R

[56] References Cited

U.S. PATENT DOCUMENTS

D. 299,480 1/1989 Harari ..... D3/61  
4,391,113 7/1983 Jorgens ..... 70/459

Primary Examiner—Louis S. Zarfaz  
Assistant Examiner—R. T. Seifert  
Attorney, Agent, or Firm—Robert J. Doherty

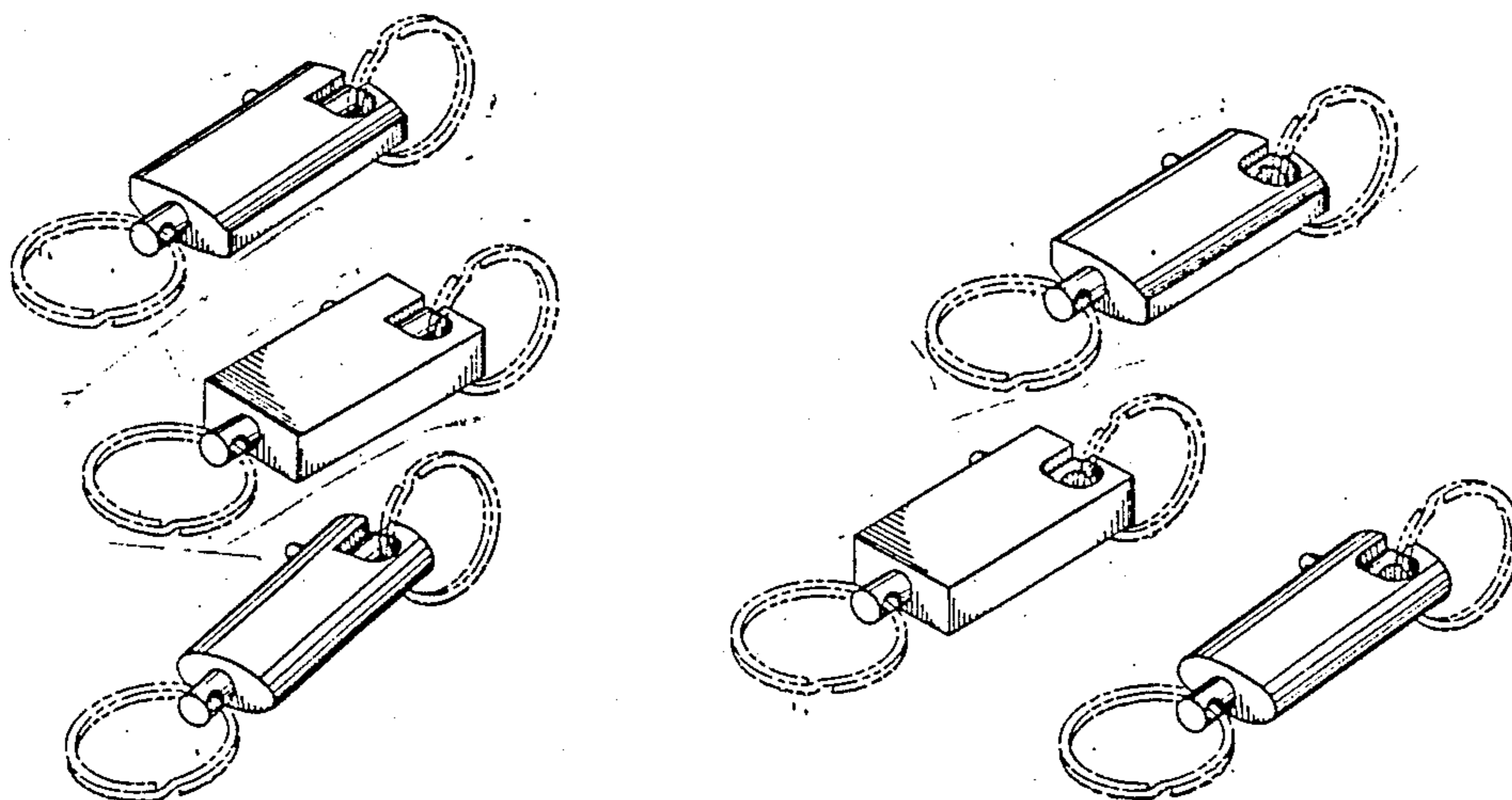
[57] CLAIM

The ornamental design for a key ring holder, as shown and described.

DESCRIPTION

FIG. 1 is a perspective view of a key ring holder showing my new design;  
FIG. 2 is a front elevational view thereof, the rear elevational view being the mirror image thereof;  
FIG. 3 is side elevational view taken from the right side of FIG. 2;  
FIG. 4 is a side elevational view taken from the left side of FIG. 2;  
FIG. 5 is a top plan view;  
FIG. 6 is a bottom plan view;  
FIG. 7 is a perspective view of a key ring holder showing a second embodiment of my new design;  
FIG. 8 is a front elevational view thereof, the rear elevational view being the mirror image thereof;  
FIG. 9 is side elevational view taken from the right side of FIG. 8;

FIG. 10 is a side elevational view taken from the left side of FIG. 8;  
FIG. 11 is a top plan view;  
FIG. 12 is a bottom plan view;  
FIG. 13 is a perspective view of a key ring holder showing a third embodiment of my new design;  
FIG. 14 is a front elevational view thereof, the rear elevational view being the mirror image thereof;  
FIG. 15 is side elevational view taken from the right side of FIG. 14;  
FIG. 16 is a side elevational view taken from the left side of FIG. 14;  
FIG. 17 is a top plan view;  
FIG. 18 is a bottom plan view;  
FIG. 19 is a perspective view of a key ring holder showing a fourth embodiment of my new design;  
FIG. 20 is a front elevational view thereof, the rear elevational view being the mirror image thereof;  
FIG. 21 is side elevational view taken from the right side of FIG. 20;  
FIG. 22 is a side elevational view taken from the left side of FIG. 20;  
FIG. 23 is a top plan view;  
FIG. 24 is a bottom plan view;  
FIG. 25 is a perspective view of a key ring holder showing a fifth embodiment of my new design;  
FIG. 26 is a front elevational view thereof, the rear elevational view being the mirror image thereof;  
FIG. 27 is side elevational view taken from the right side of FIG. 26;  
FIG. 28 is a side elevational view taken from the left side of FIG. 26;  
FIG. 29 is a top plan view;  
FIG. 30 is a bottom plan view;  
FIG. 31 is a perspective view of a key ring holder showing a sixth embodiment of my new design;  
FIG. 32 is a front elevational view thereof, the rear elevational view being the mirror image thereof;  
FIG. 33 is side elevational view taken from the right side of FIG. 32;  
FIG. 34 is a side elevational view taken from the left side of FIG. 32;  
FIG. 35 is a top plan view; and  
FIG. 36 is a bottom plan view;  
The broken line showing of a key ring in FIGS. 1, 7, 13, 19, 25 and 31 is for illustrative purposes only and forms no part of the claimed design.



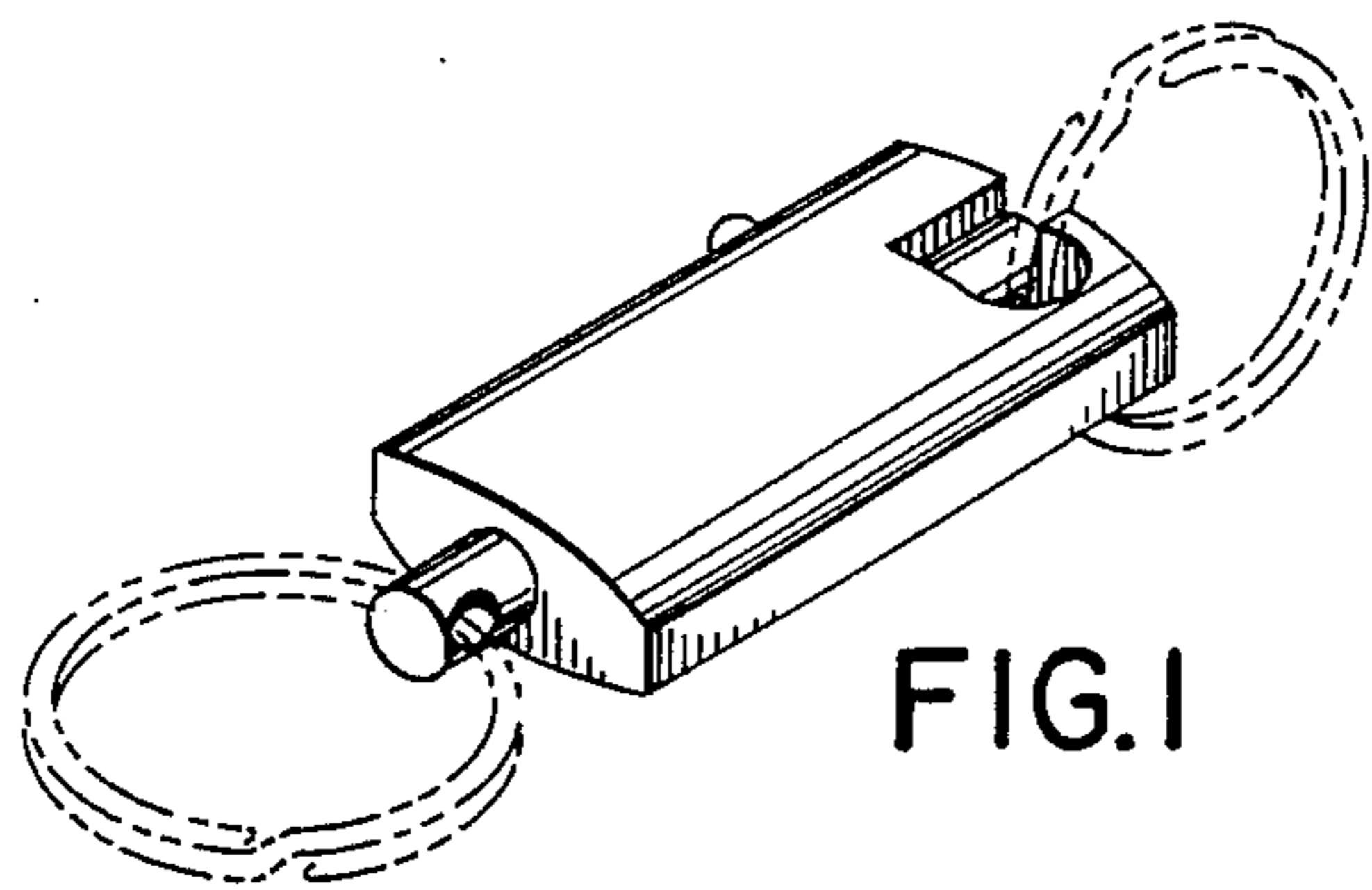


FIG. 1

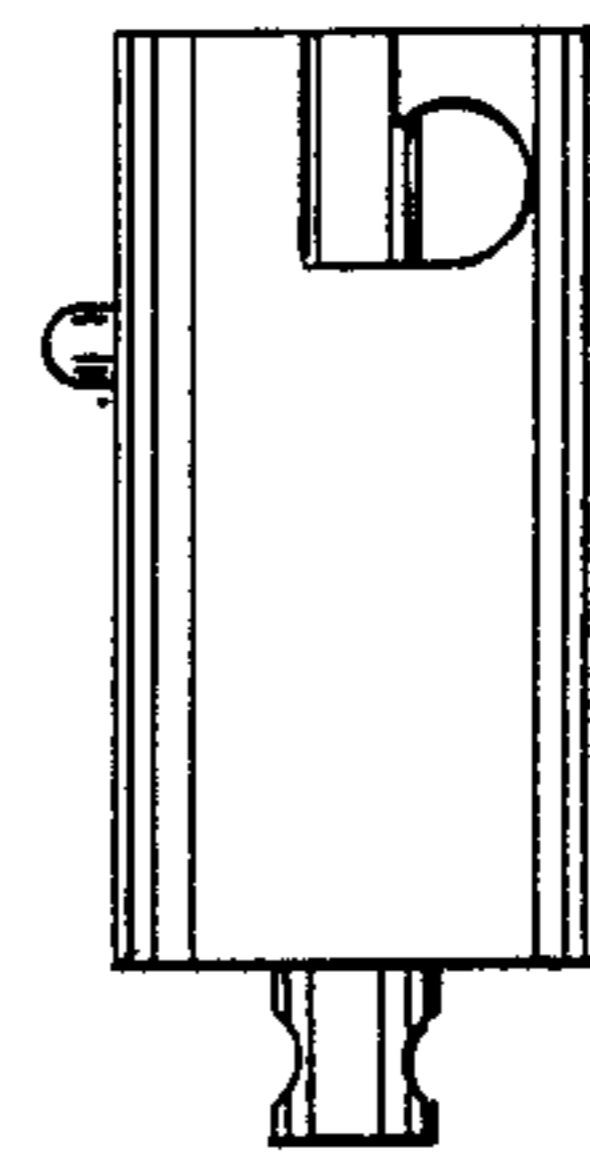


FIG. 2



FIG. 3



FIG. 4



FIG. 5



FIG. 6

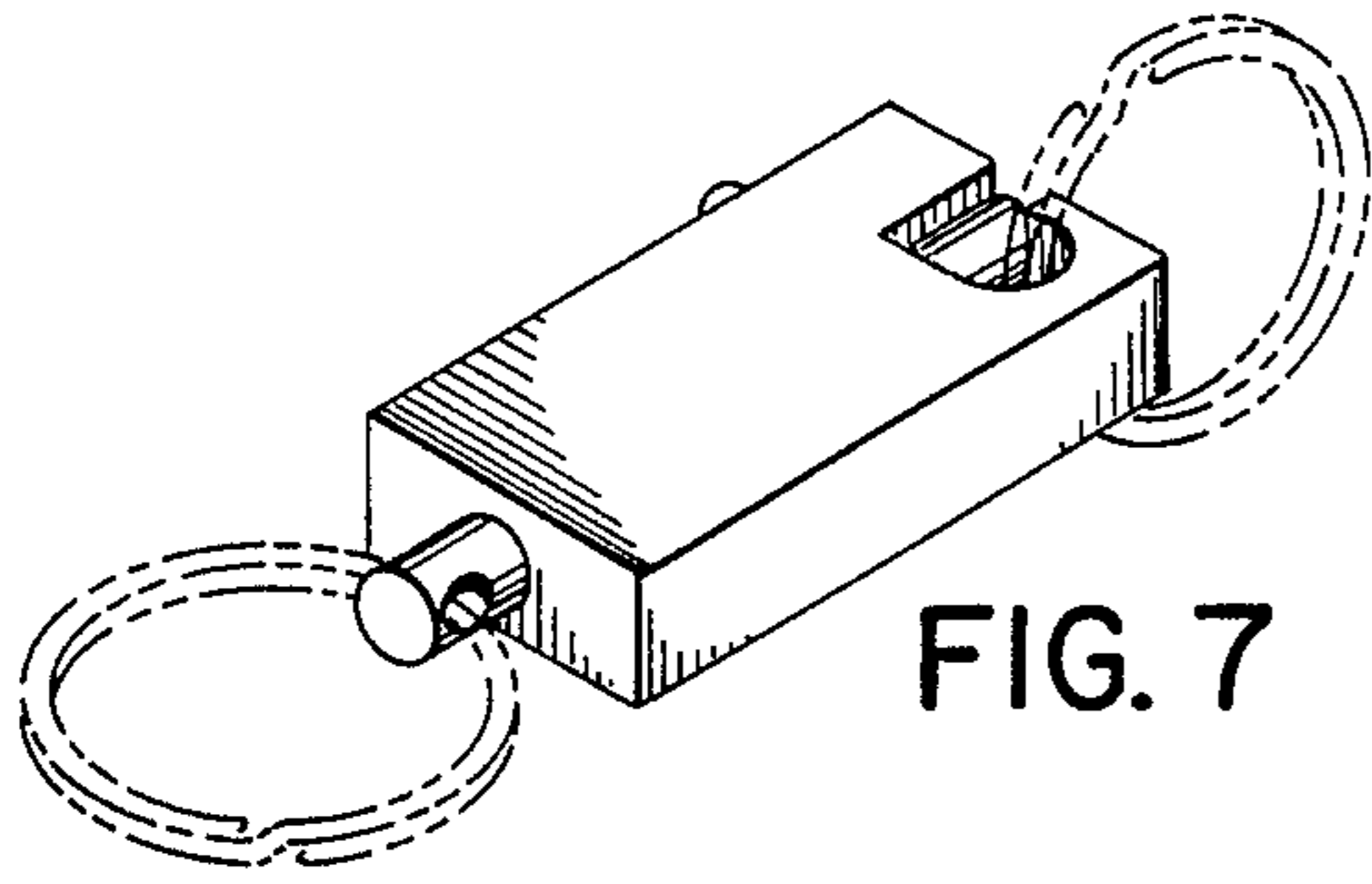


FIG. 7



FIG. 8



FIG. 9



FIG. 11



FIG. 10



FIG. 12

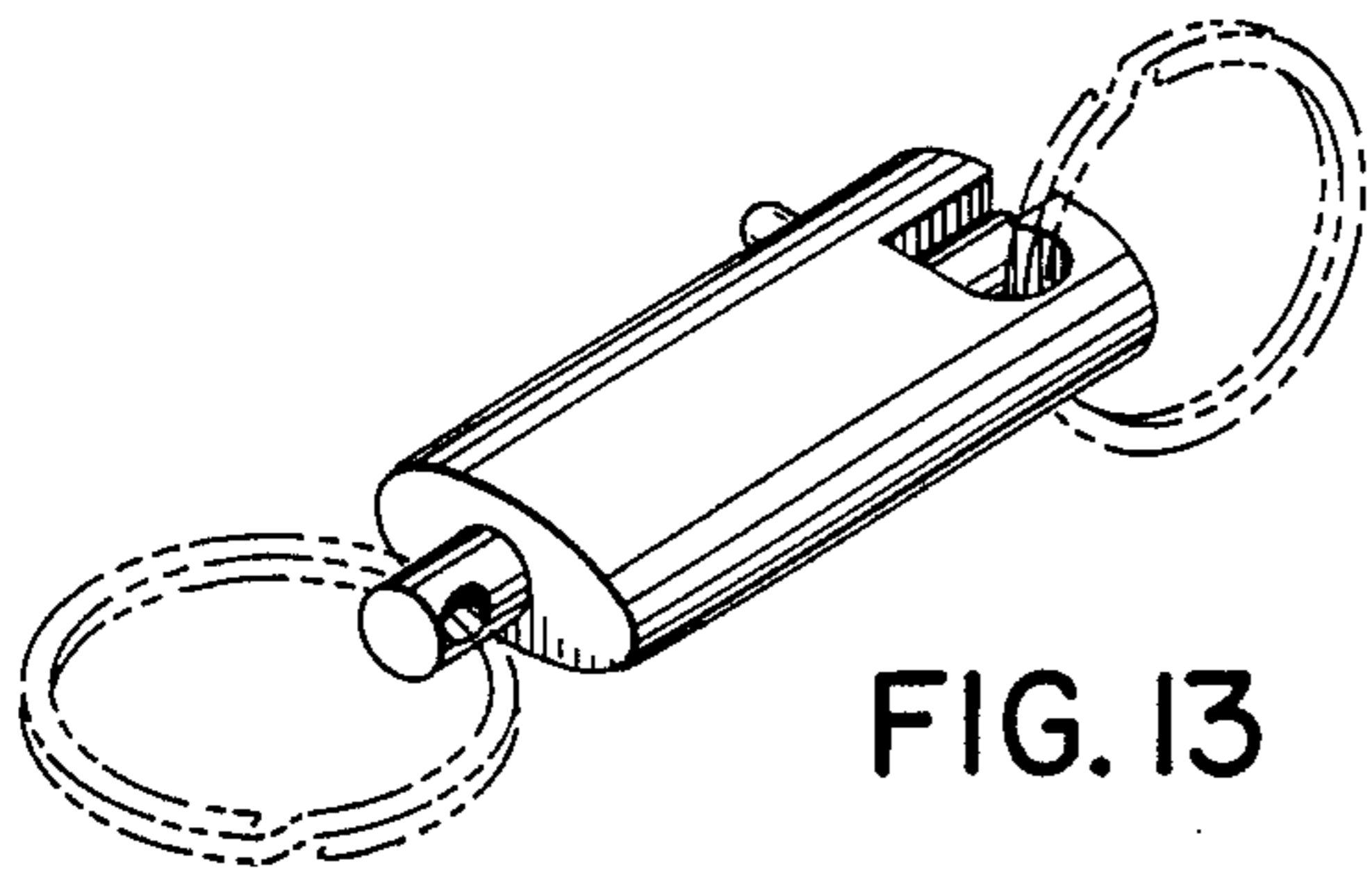


FIG. 13

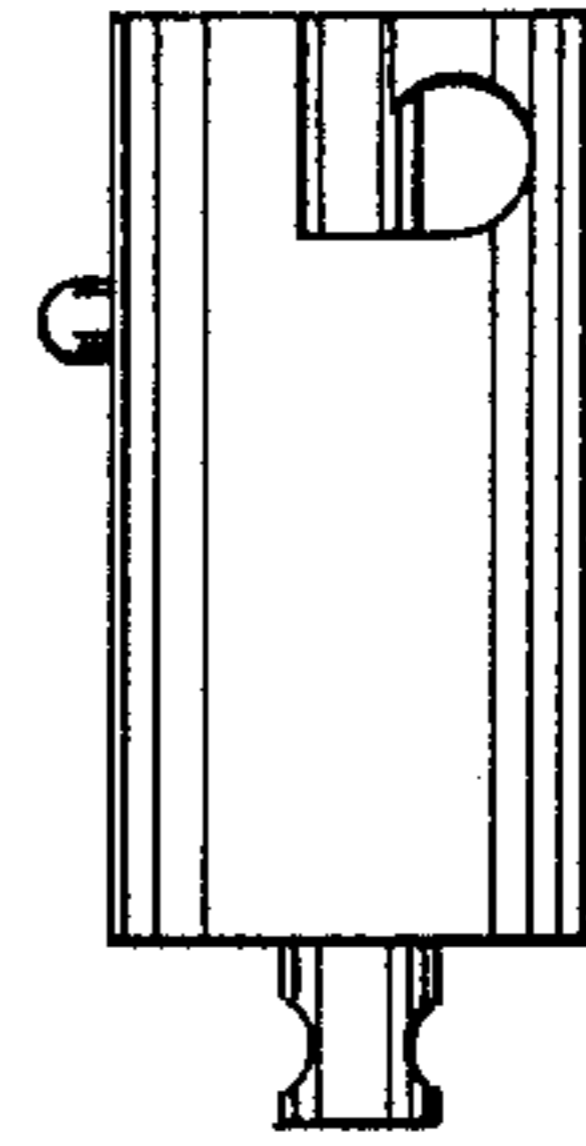


FIG. 14

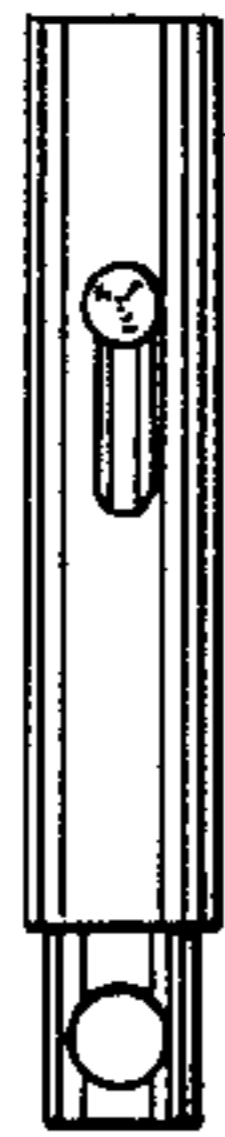


FIG. 16



FIG. 15

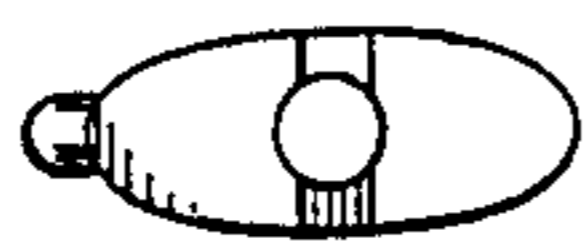


FIG. 17



FIG. 18

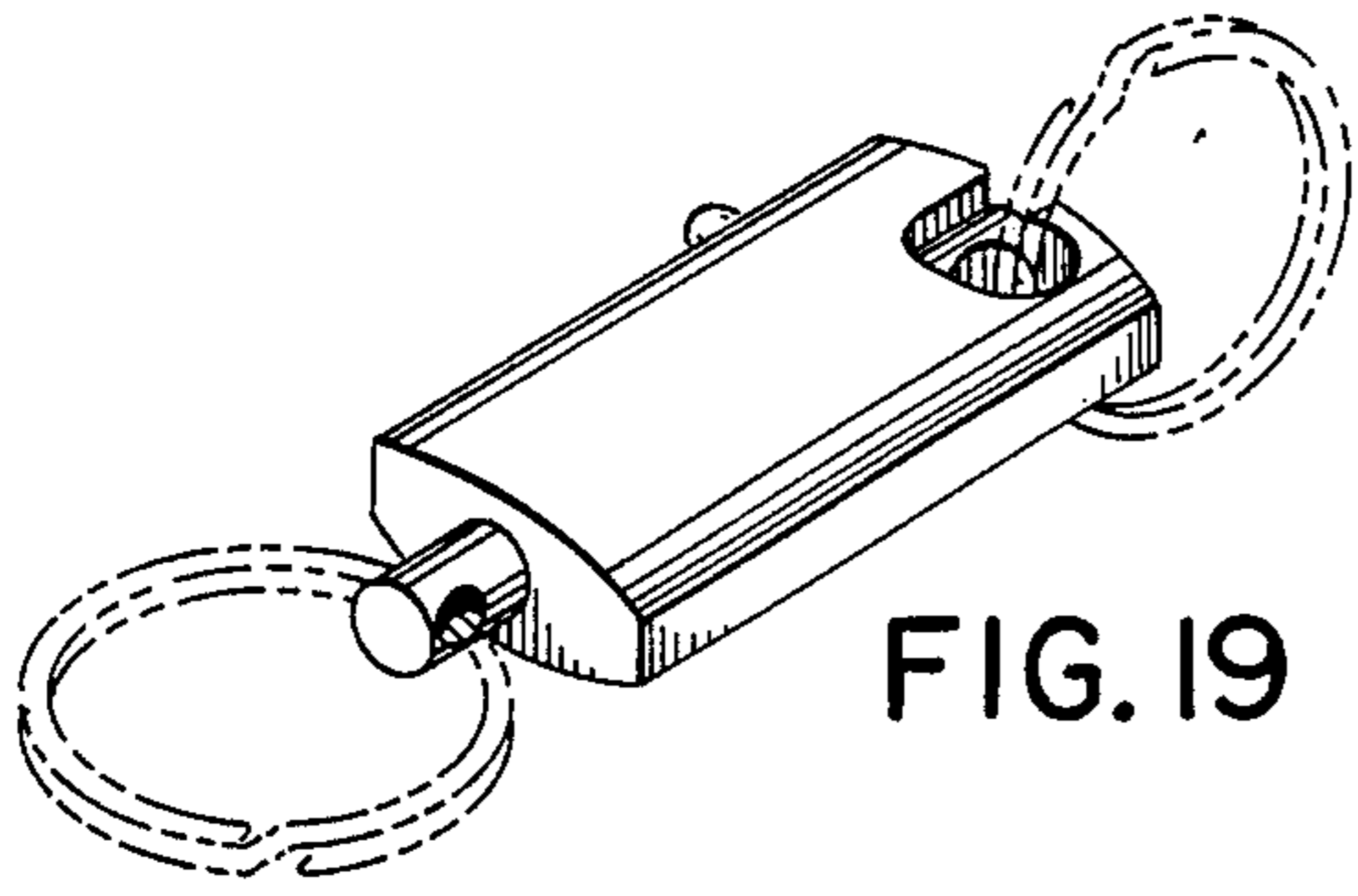


FIG. 19

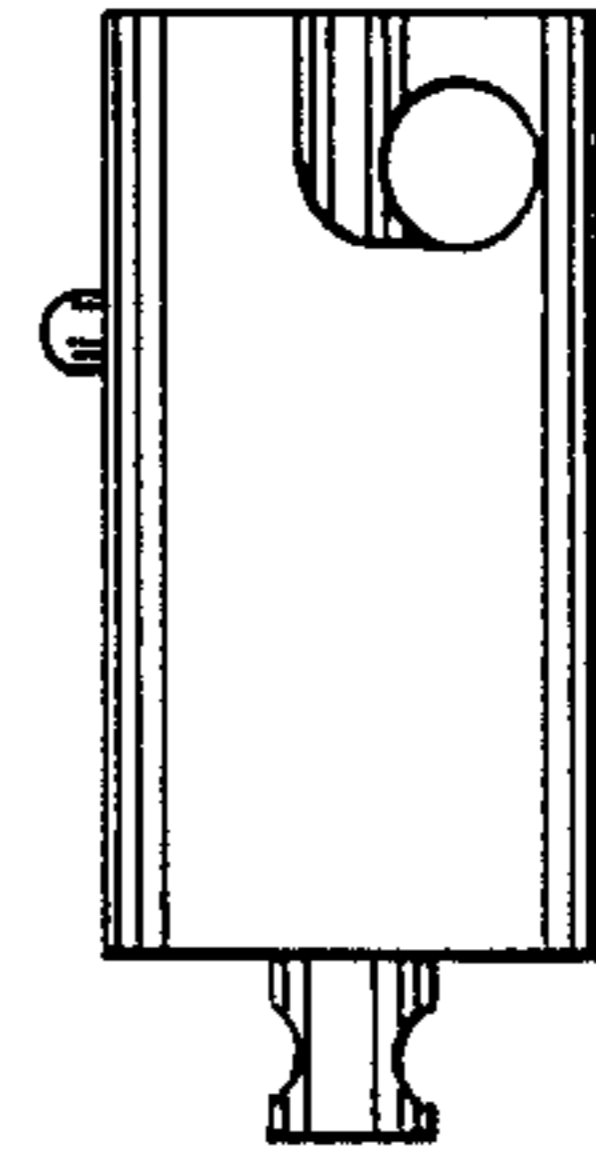


FIG. 20



FIG. 21



FIG. 22

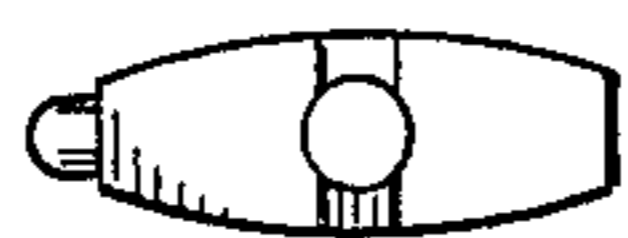


FIG. 23



FIG. 24



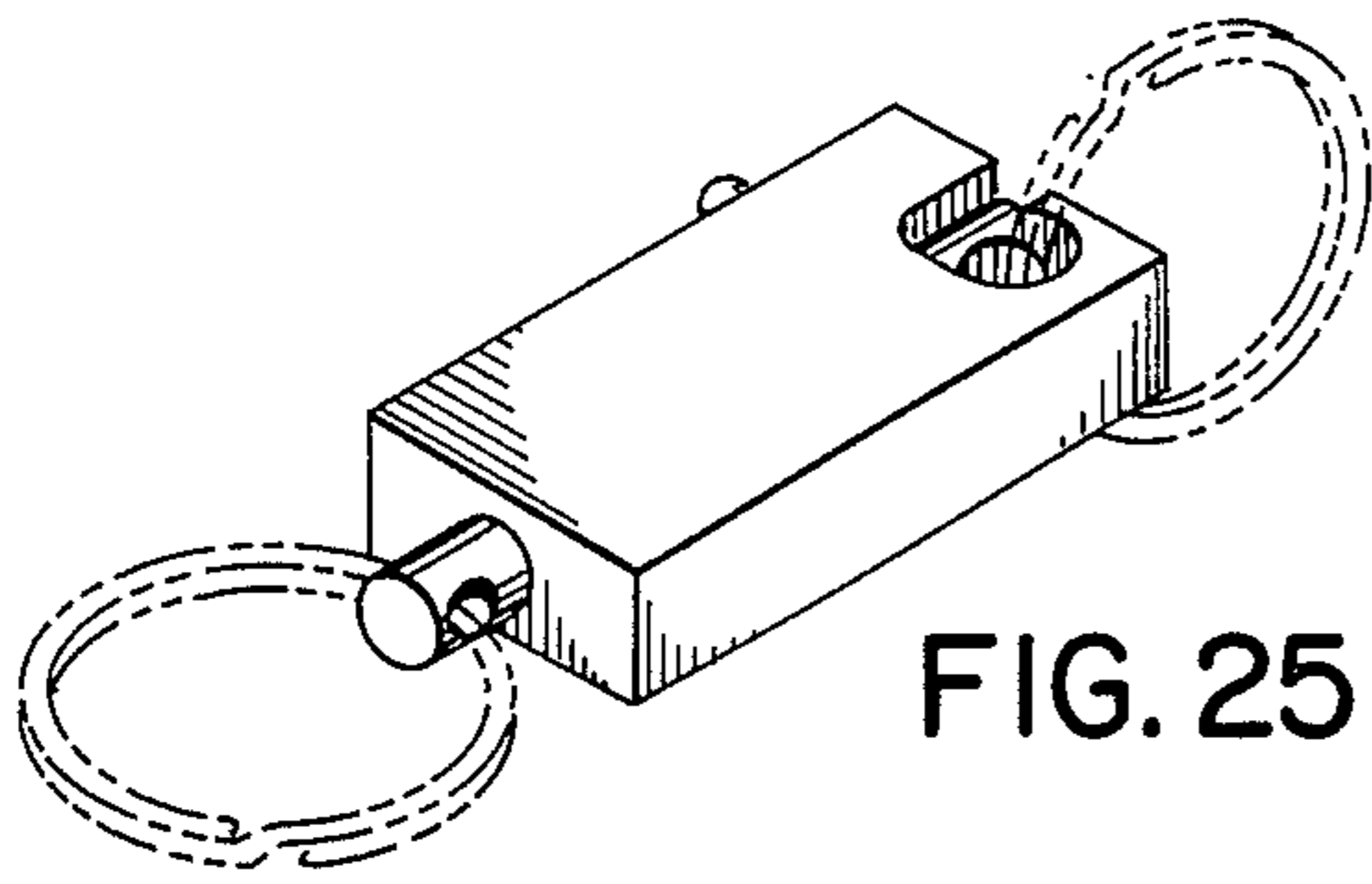


FIG. 27



FIG. 29

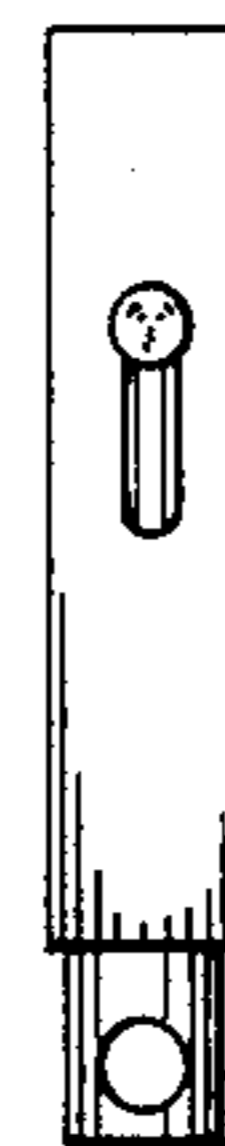


FIG. 28



FIG. 30

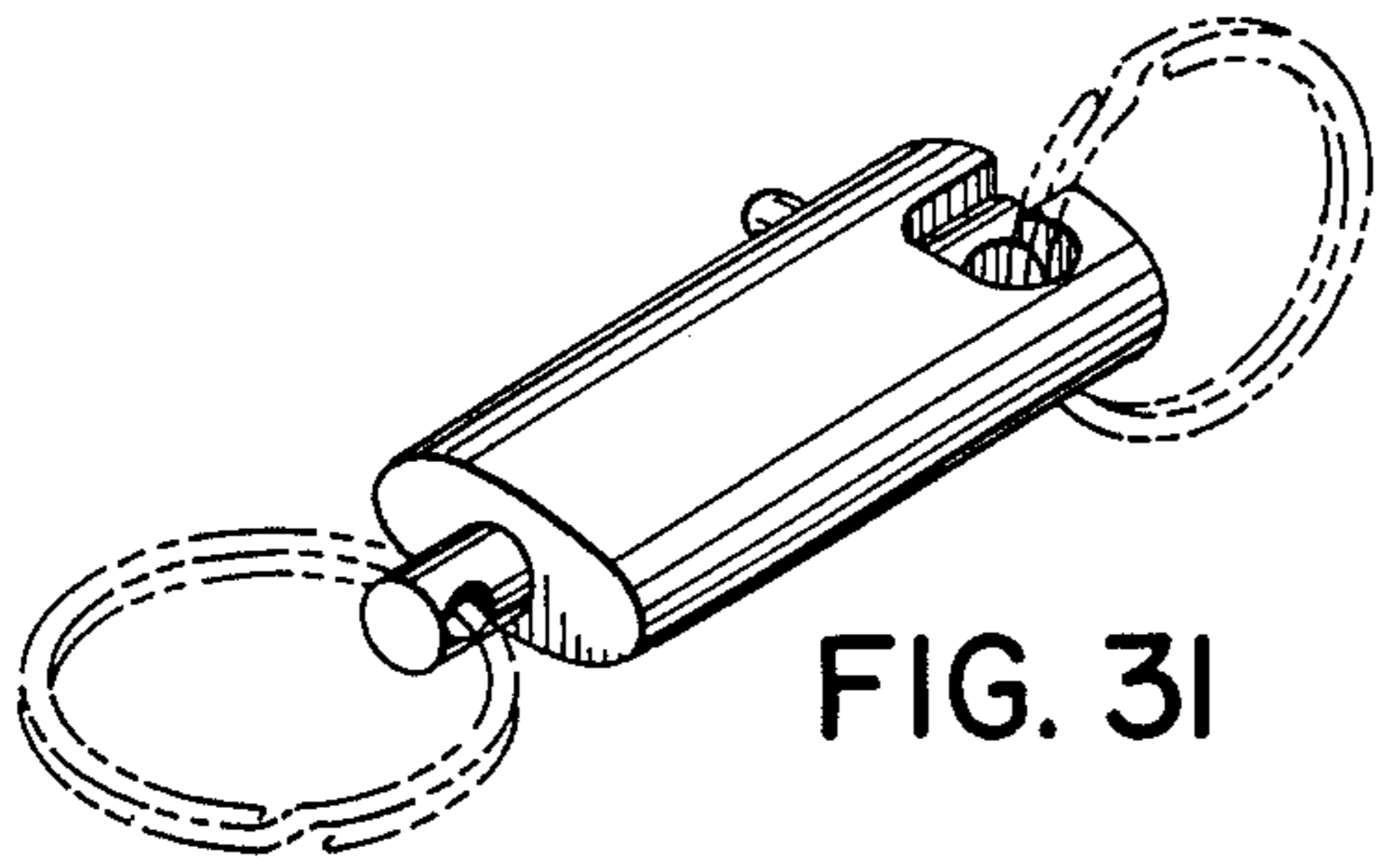


FIG. 31

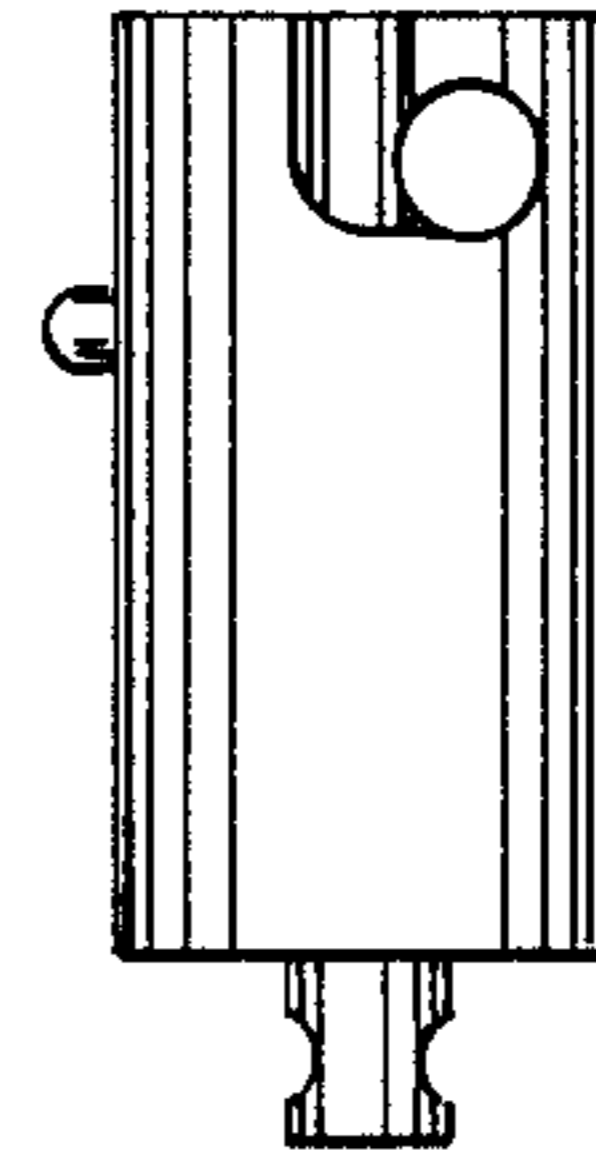


FIG. 32



FIG. 34

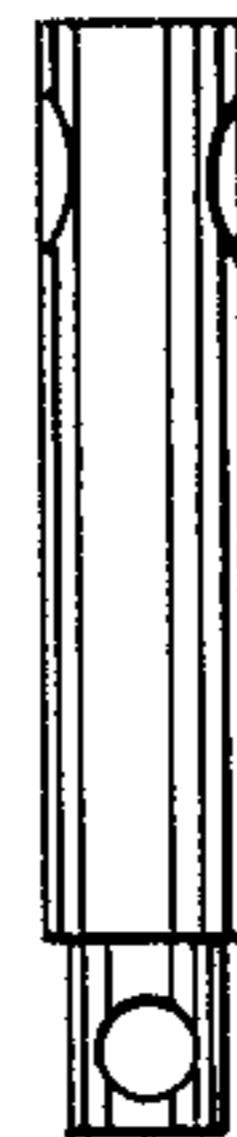


FIG. 33



FIG. 35



FIG. 36