

[54] **CANDLE EXTINGUISHER OR THE LIKE**

[76] **Inventor: Kaj G. Johnsson, Sando Strom 10900, Hanko, Finland**

[**] **Term: 14 Years**

[21] **Appl. No.: 127,010**

[22] **Filed: Nov. 30, 1987**

[30] **Foreign Application Priority Data**

May 28, 1987 [FI] Finland 435/87
[52] **U.S. Cl. D26/23**
[58] **Field of Search D26/9-15, D26/20-23, 113-118; 431/288-297, 33, 34, 35**

[56] **References Cited**

U.S. PATENT DOCUMENTS

D. 305,264 12/1989 Bengtsson et al. D26/23
1,101,296 6/1914 Liaci 431/35
4,138,211 2/1979 Kampfer et al. 431/35

FOREIGN PATENT DOCUMENTS

155998 11/1904 Fed. Rep. of Germany 431/35

Primary Examiner—Susan J. Lucas

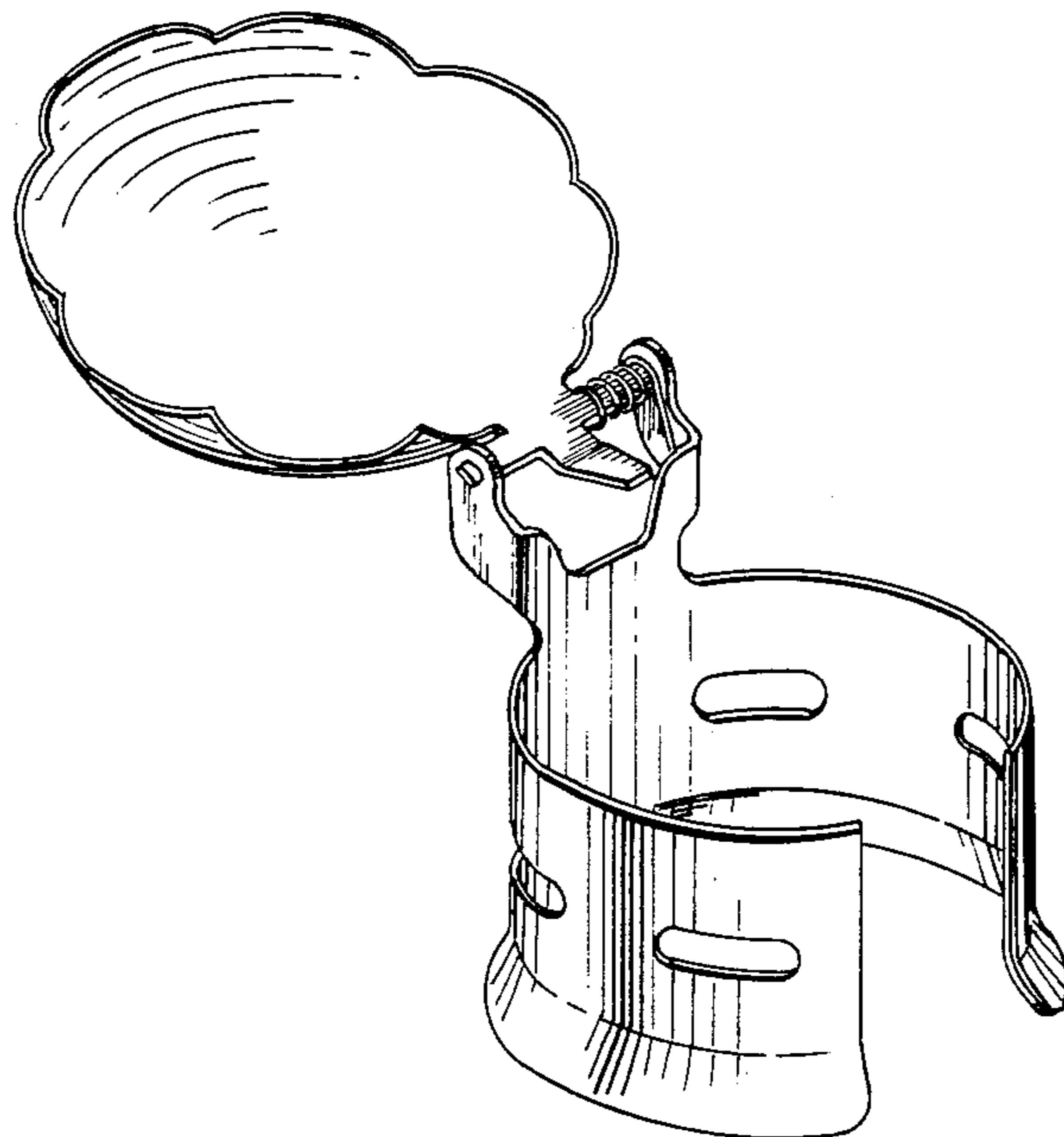
Attorney, Agent, or Firm—Mason, Fenwick Lawrence

[57] **CLAIM**

The ornamental design for candle extinguisher or the like, as shown and described.

DESCRIPTION

FIG. 1 is a top, front perspective view of a candle extinguisher or the like showing my new design;
FIG. 2 is a left side elevational view thereof;
FIG. 3 is a top plan view thereof;
FIG. 4 is a rear elevational view thereof;
FIG. 5 is a front elevational view thereof;
FIG. 6 is a bottom plan view thereof;
FIG. 7 is a top, front perspective thereof in the open position;
FIG. 8 is a right side elevational view thereof in the open position, a candle being shown in broken lines for illustrative purposes only.



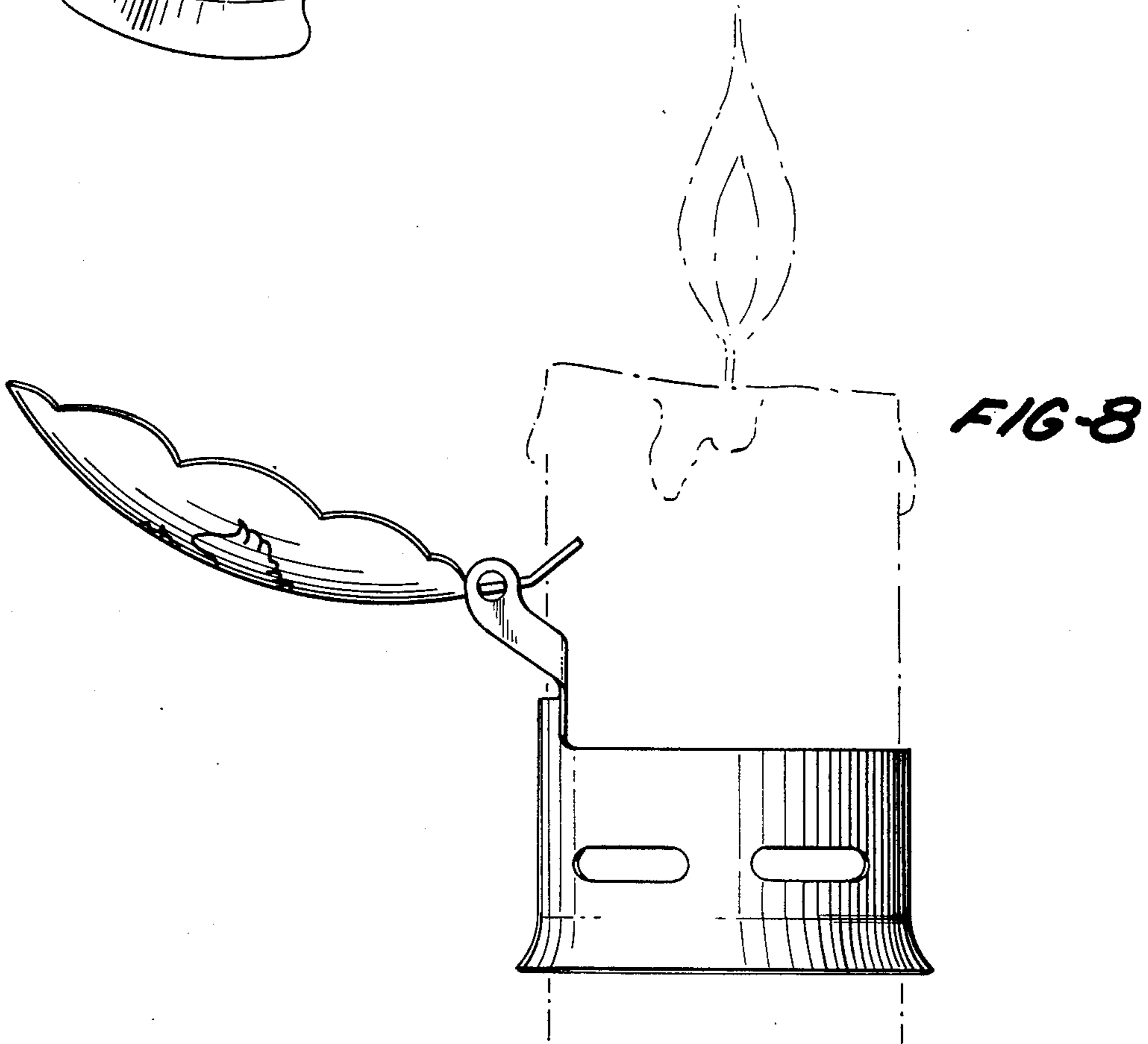
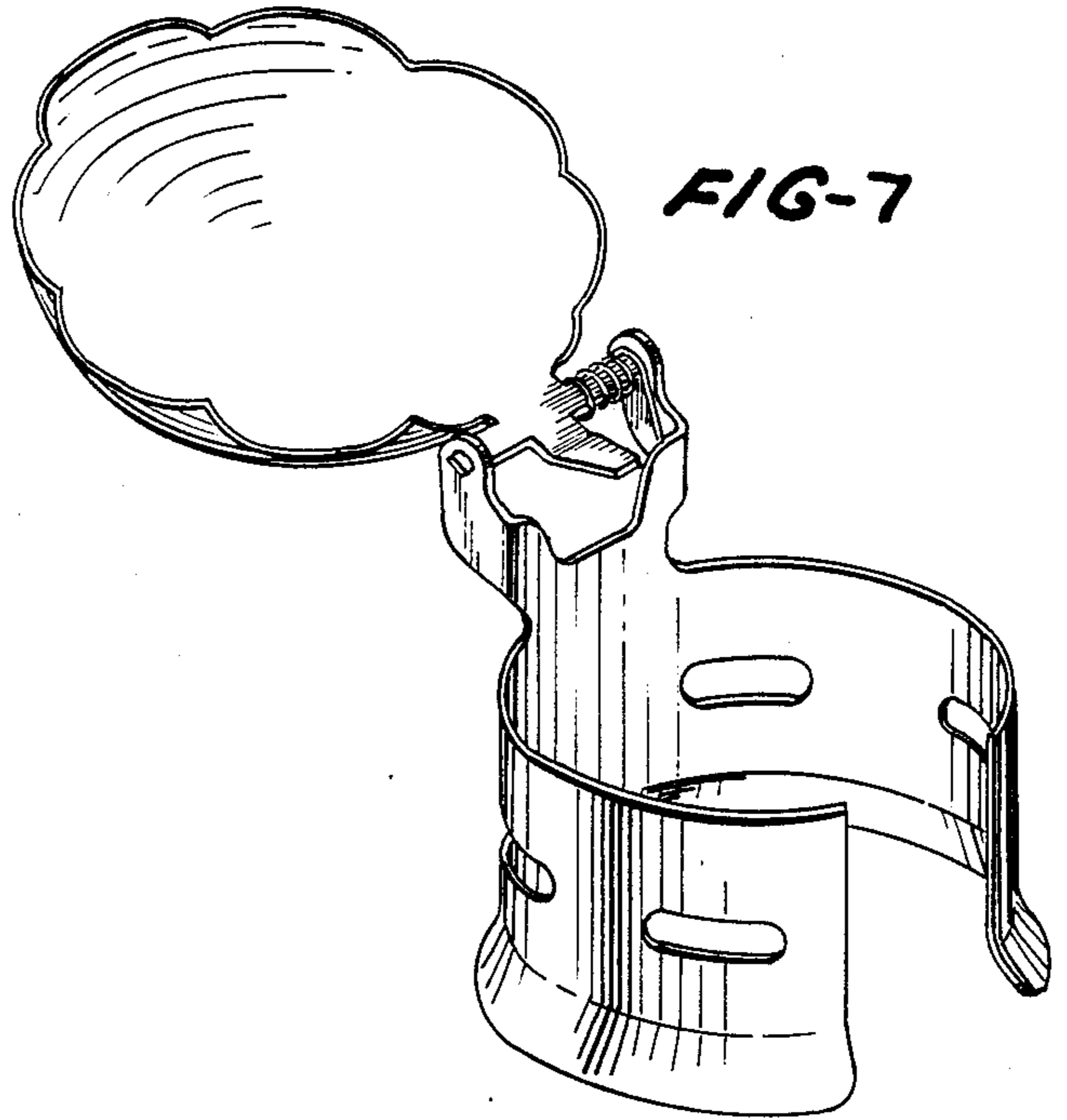
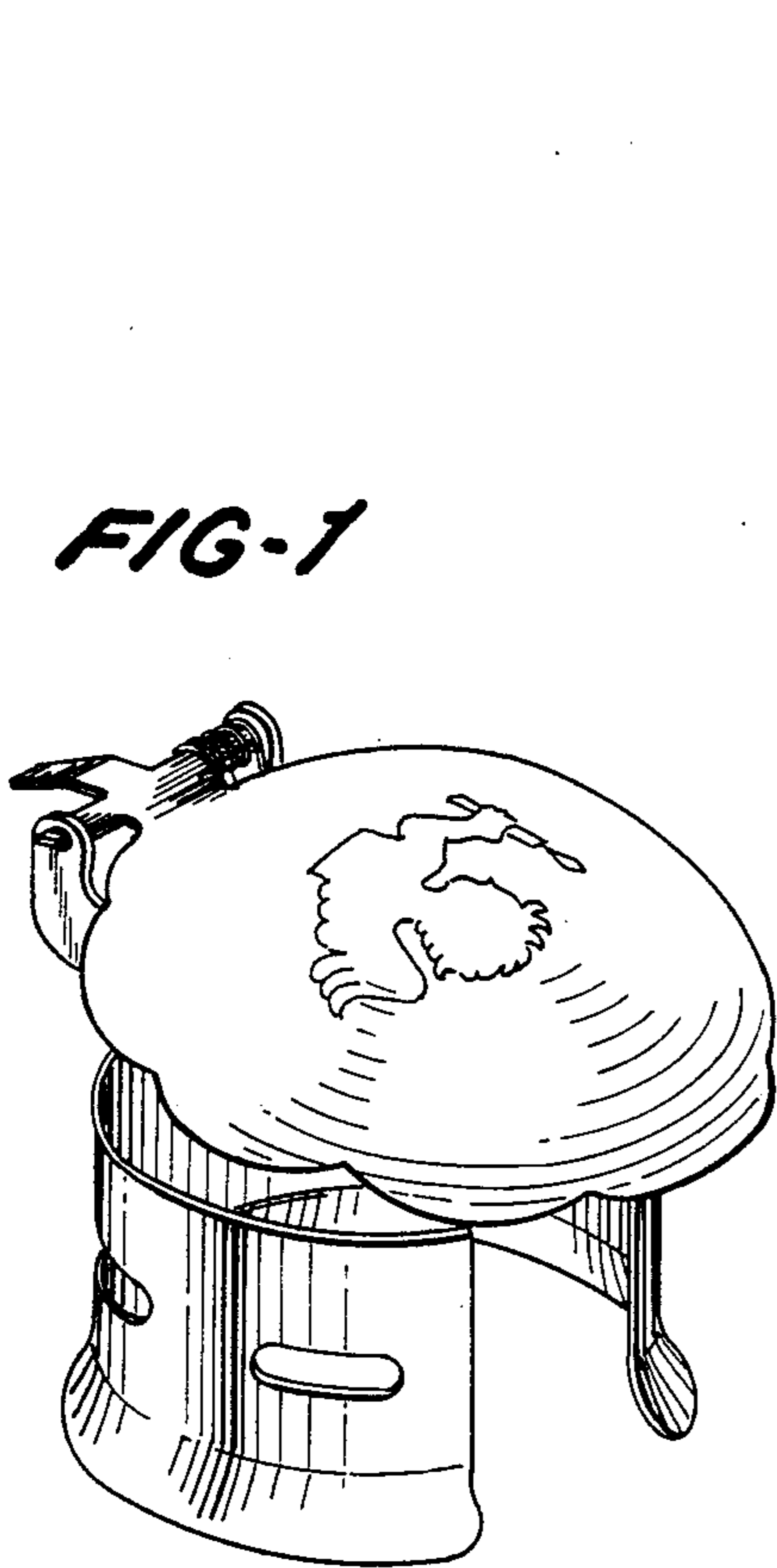


FIG-3

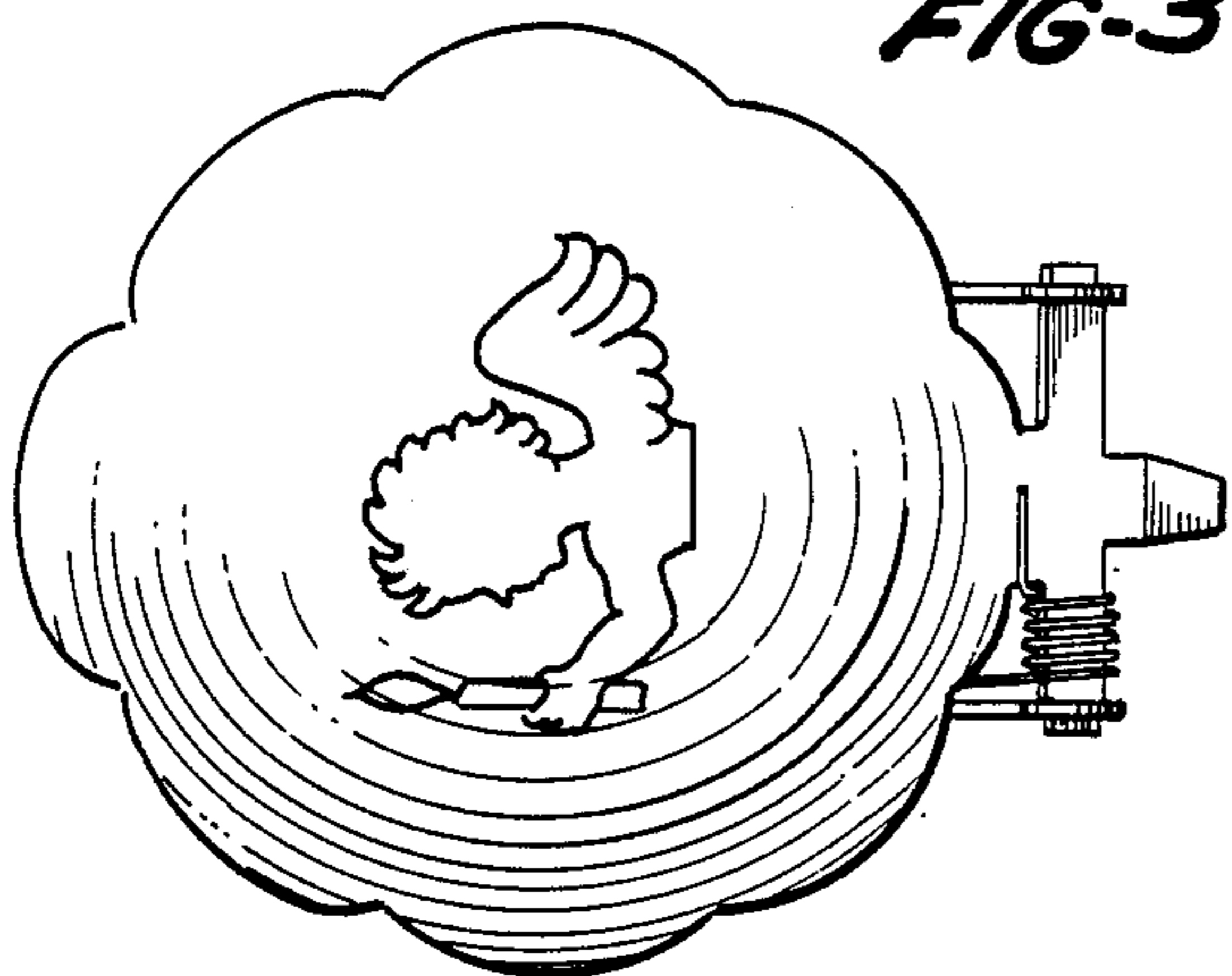


FIG-2

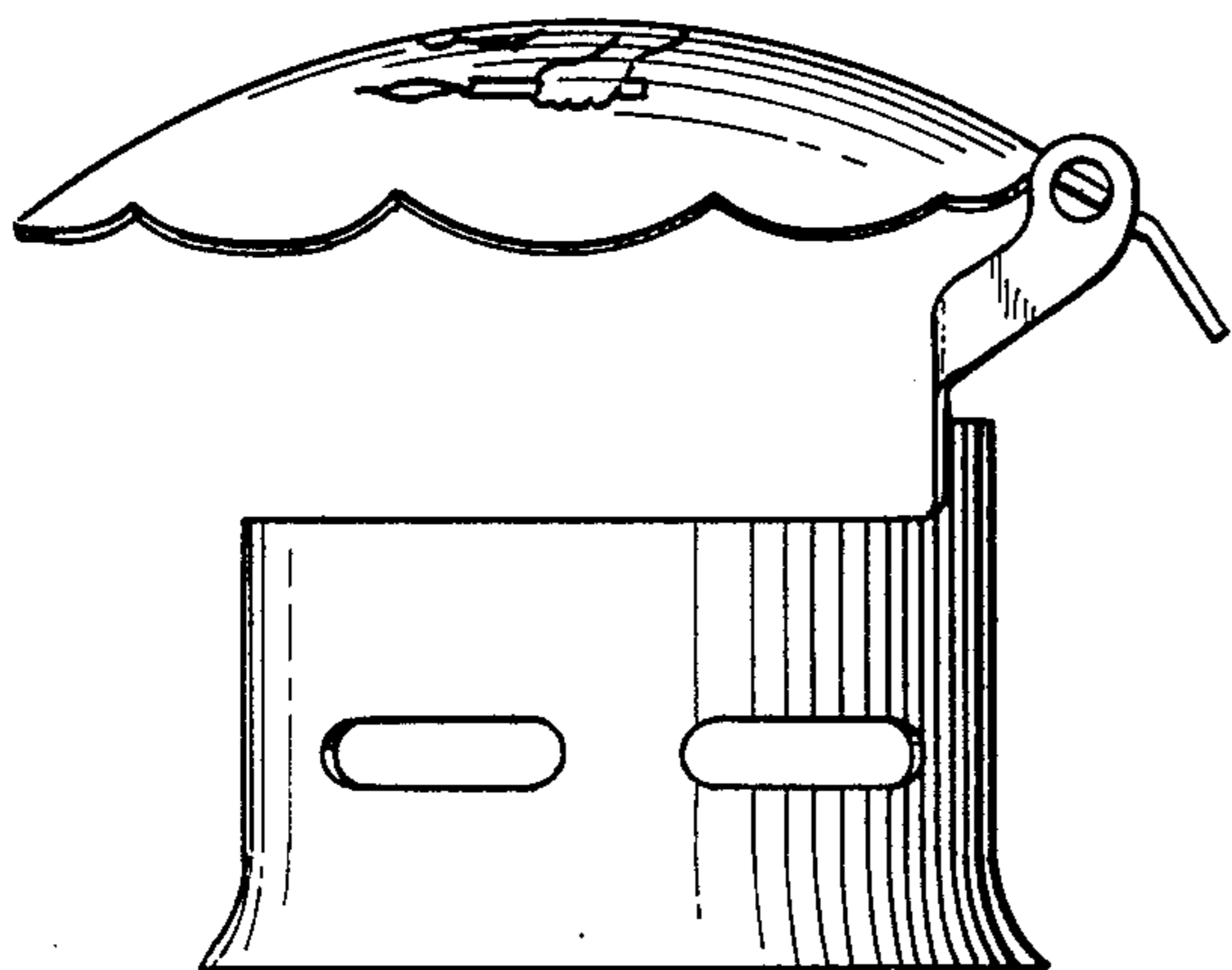


FIG-4

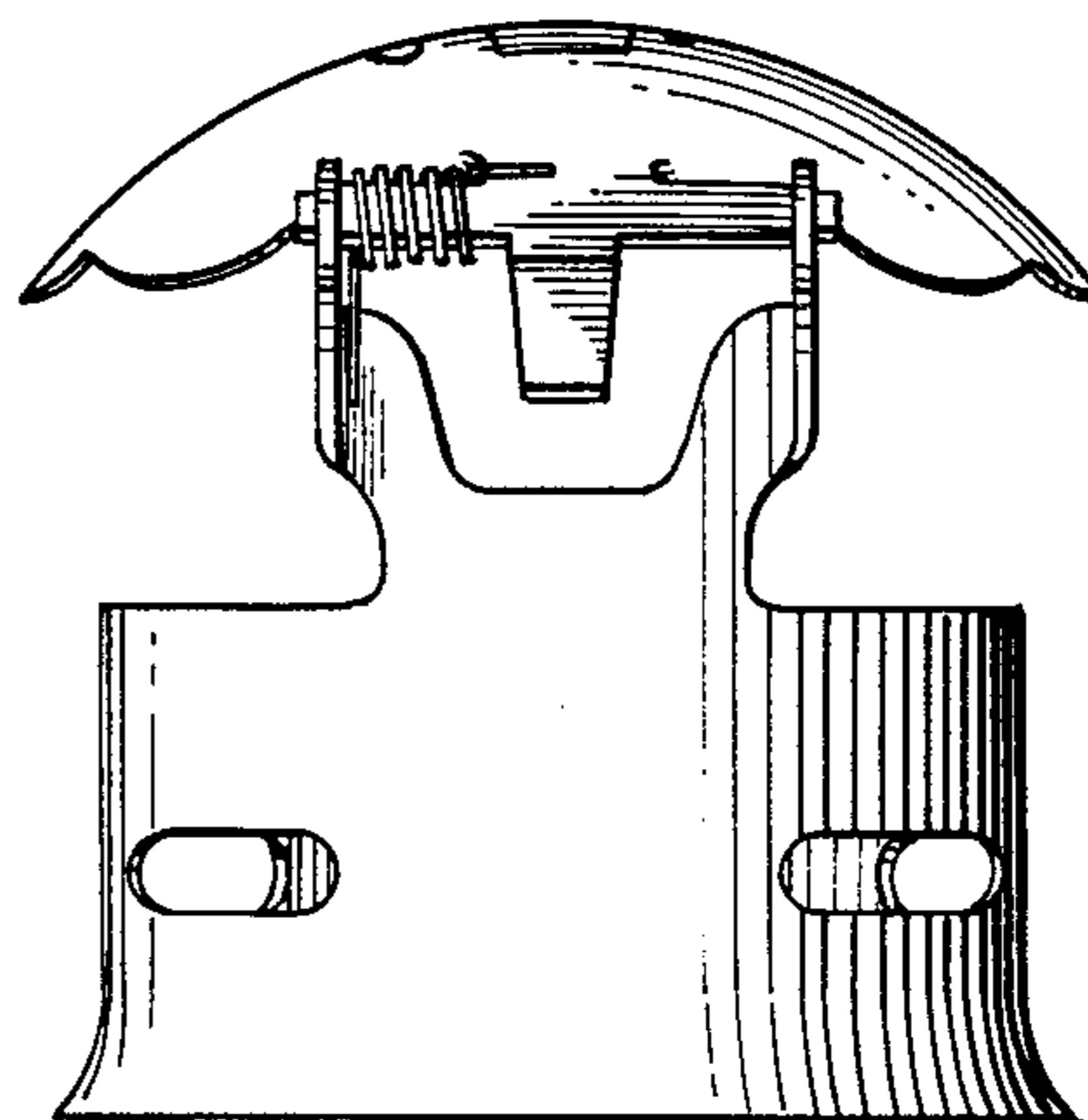


FIG-6

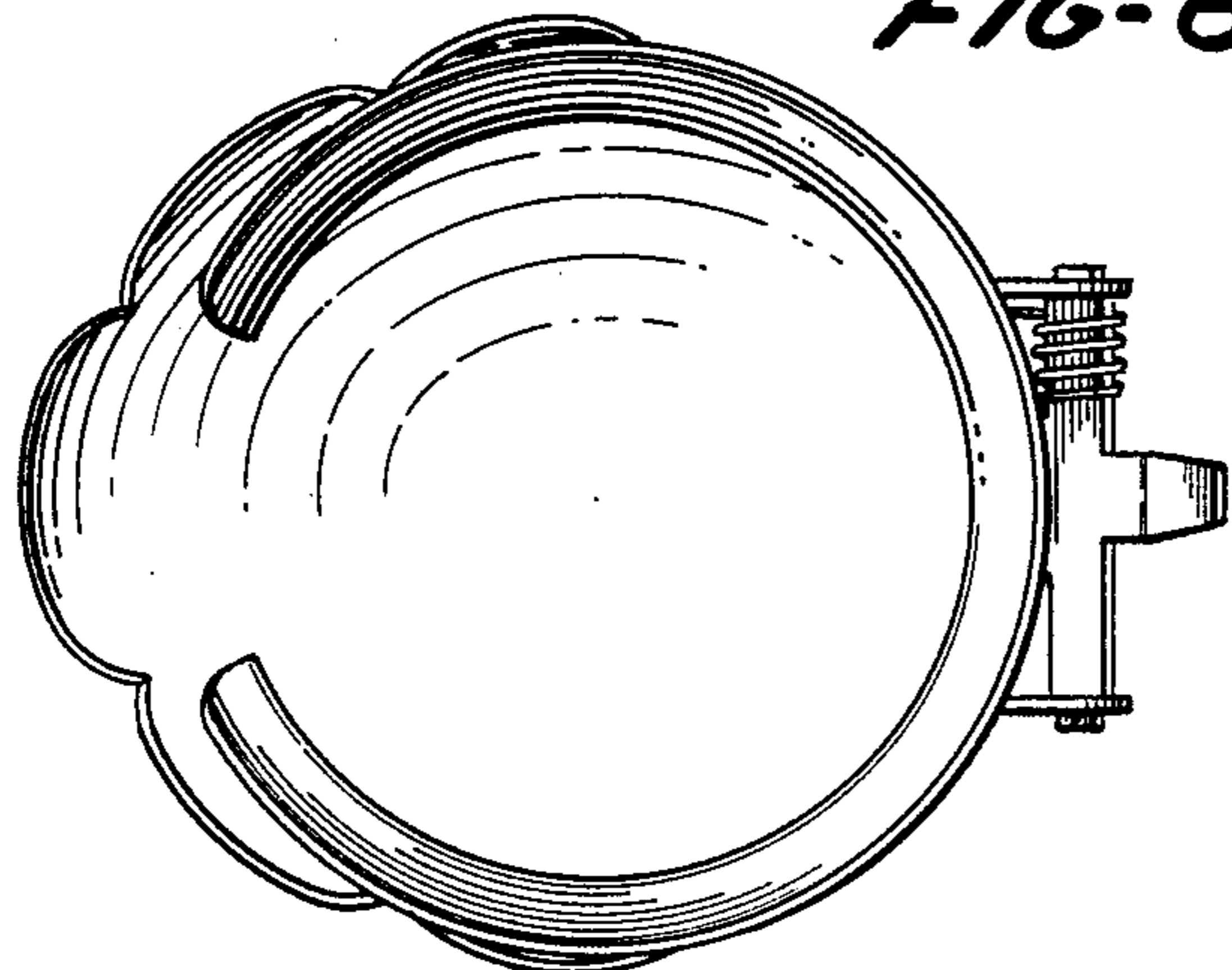


FIG-5

