

[54] CANDLE

[76] Inventor: Charles E. Wilson, 307 N. Washington St., Mt. Shasta, Calif. 96067

[\*\*] Term: 14 Years

[21] Appl. No.: 47,998

[22] Filed: May 11, 1987

[52] U.S. Cl. .... D26/7

[58] Field of Search ..... D26/6, 7, 16; 431/288-297, 125, 126

[56] References Cited

U.S. PATENT DOCUMENTS

D. 239,569 4/1976 Eker ..... D26/7  
2,058,584 10/1936 Gastel ..... D26/7 X

OTHER PUBLICATIONS

Austad's Golfer's Get Acquainted catalog, 1984, p. 2, Pen Holder-Golf Set.  
Emkay "Candle Wonderland" catalog, 1968, p. 20, Bowling Ball Candle.  
Spaulding Retail catalog, 1975, p. 32, Tennis Ball.  
Sports Novelties catalog, 1971, p. 42, Golf Pin.

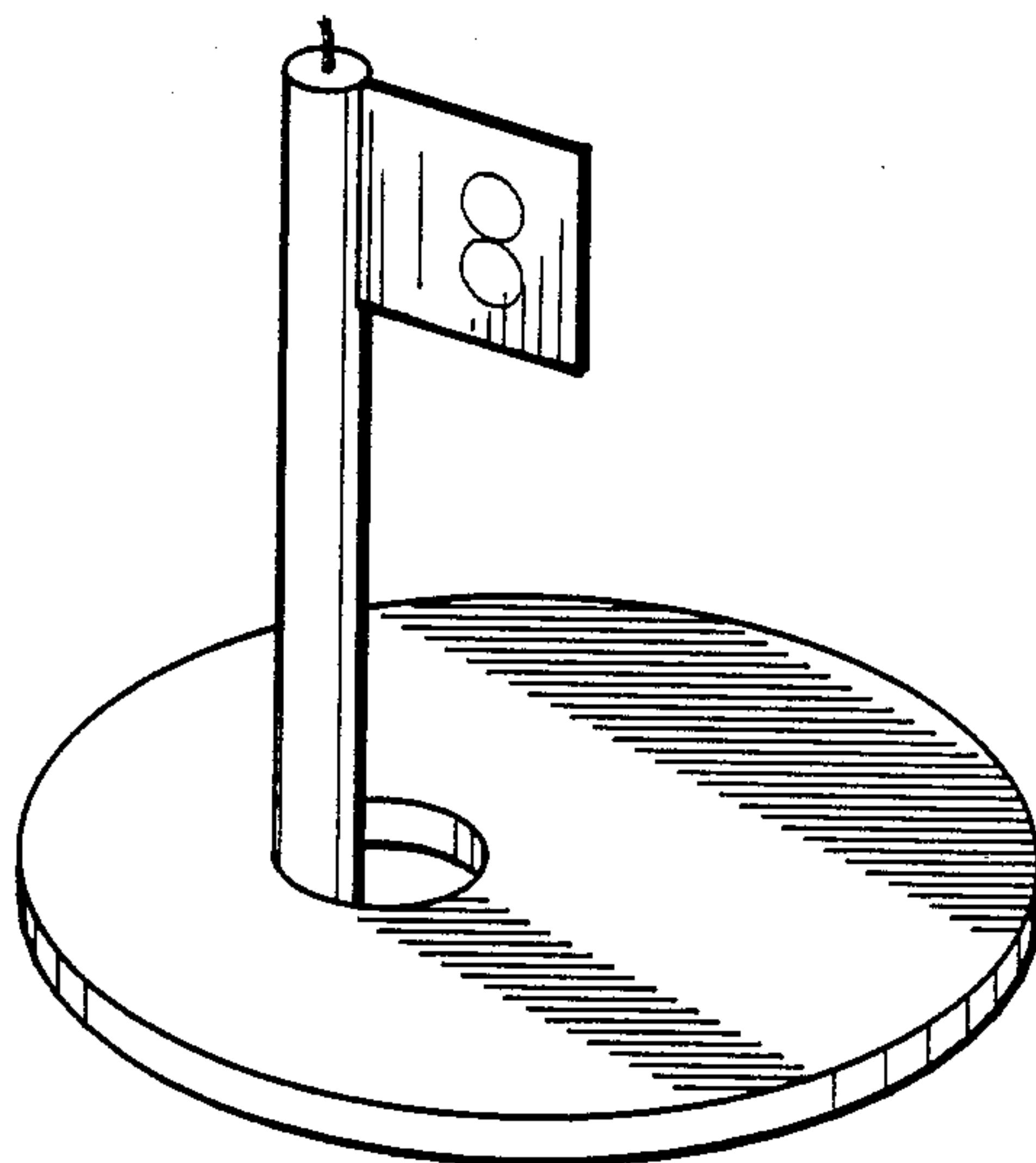
Primary Examiner—Susan J. Lucas  
Attorney, Agent, or Firm—Jerry T. Kearns

[57] CLAIM

The ornamental design for a candle, as shown and described.

DESCRIPTION

FIG. 1 is a top, front perspective view of a candle showing my new design;  
FIG. 2 is a front elevational view thereof on an enlarged scale, the rear being a mirror image; and,  
FIG. 3 is a top plan view thereof on a reduced scale, the bottom of the circular base being flat and unornamented.



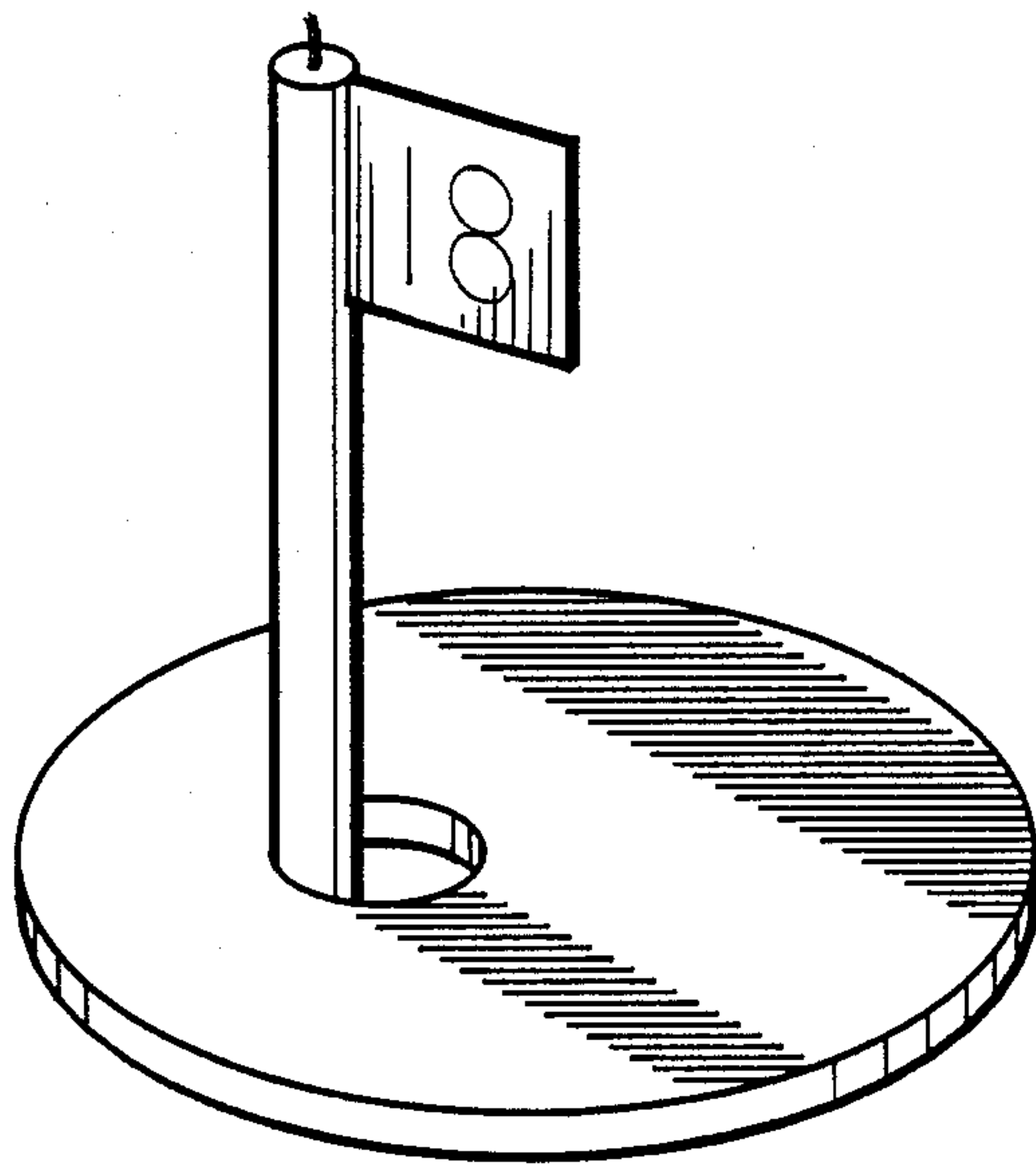


Fig. 1

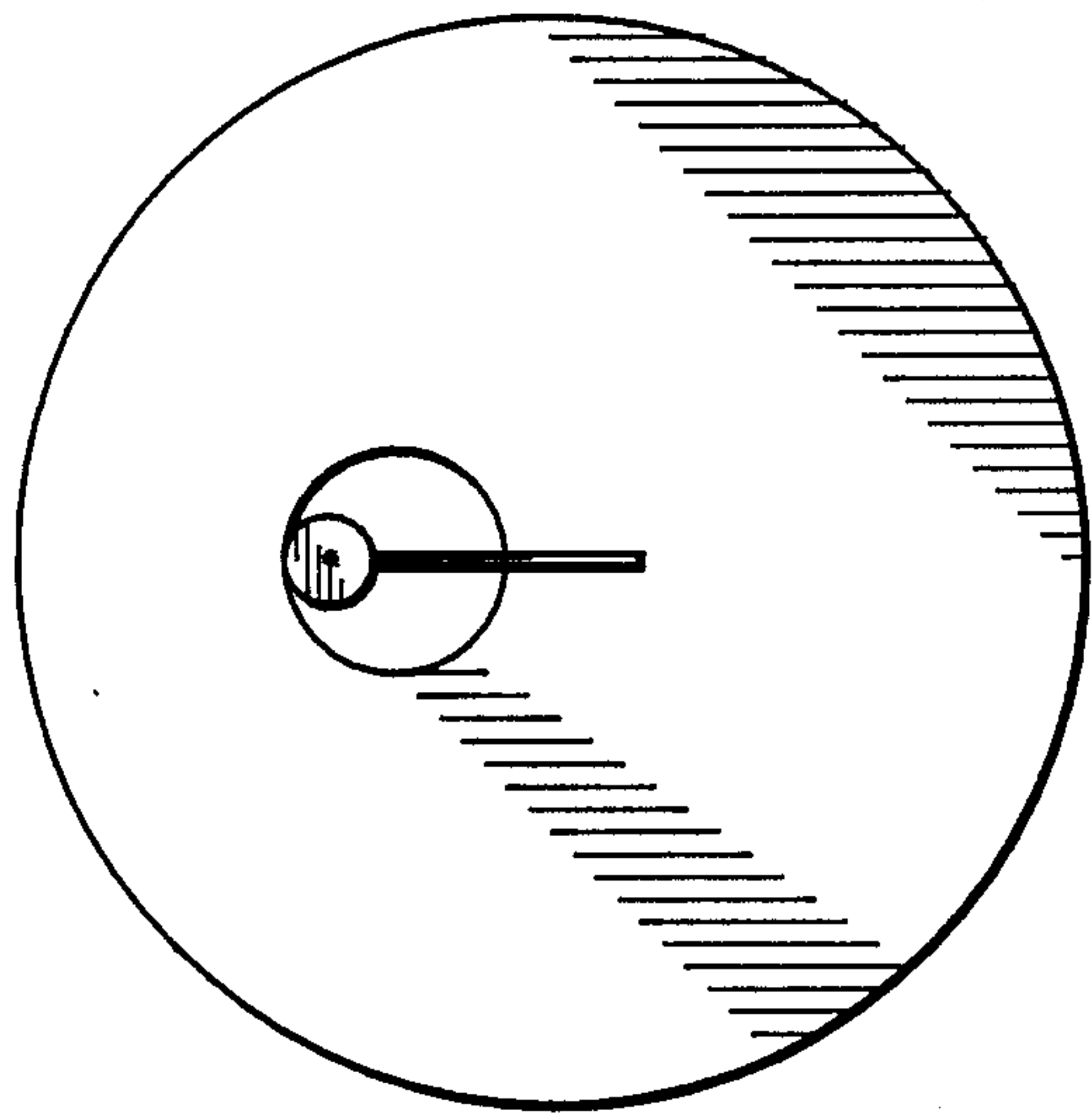


Fig. 3

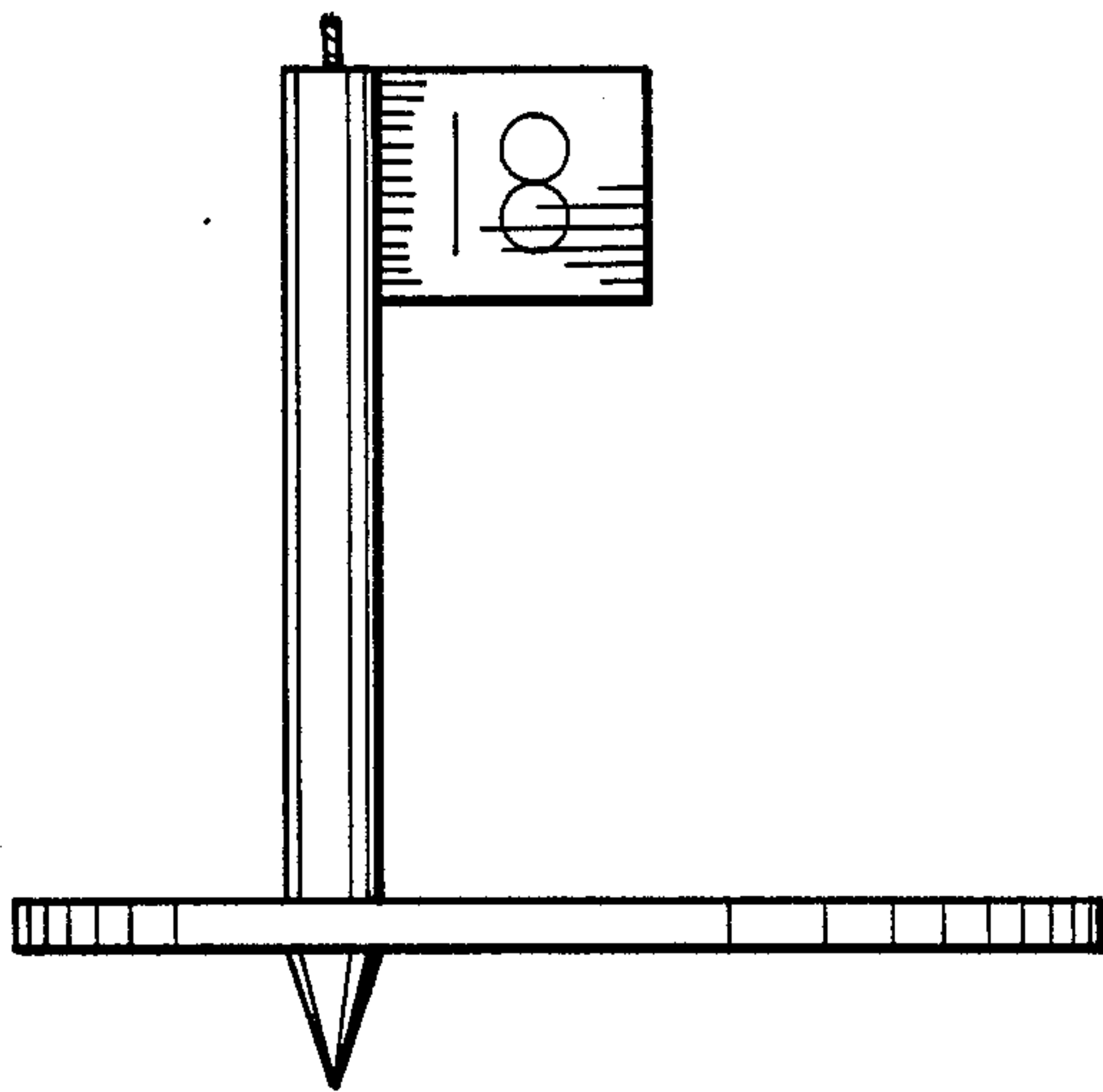


Fig. 2