

[54] FUNNEL WITH FILTER

2,835,392 5/1958 Hamilton 210/477
4,678,576 7/1987 Cavallo 210/445 X

[75] Inventor: Eric V. Carlson, Lake Oswego, Oreg.

[73] Assignee: Para Scientific, Inc., Lake Oswego, Oreg.

[**] Term: 14 Years

[21] Appl. No.: 110,480

[22] Filed: Oct. 19, 1987

[52] U.S. Cl. D24/29

[58] Field of Search D24/29, 8, 31; 210/477, 210/473, 474, 464, 445, 321.87

[56] **References Cited**

U.S. PATENT DOCUMENTS

- D. 270,947 10/1983 Mehra et al. D24/8
- D. 285,487 9/1986 Tjernagel D24/29

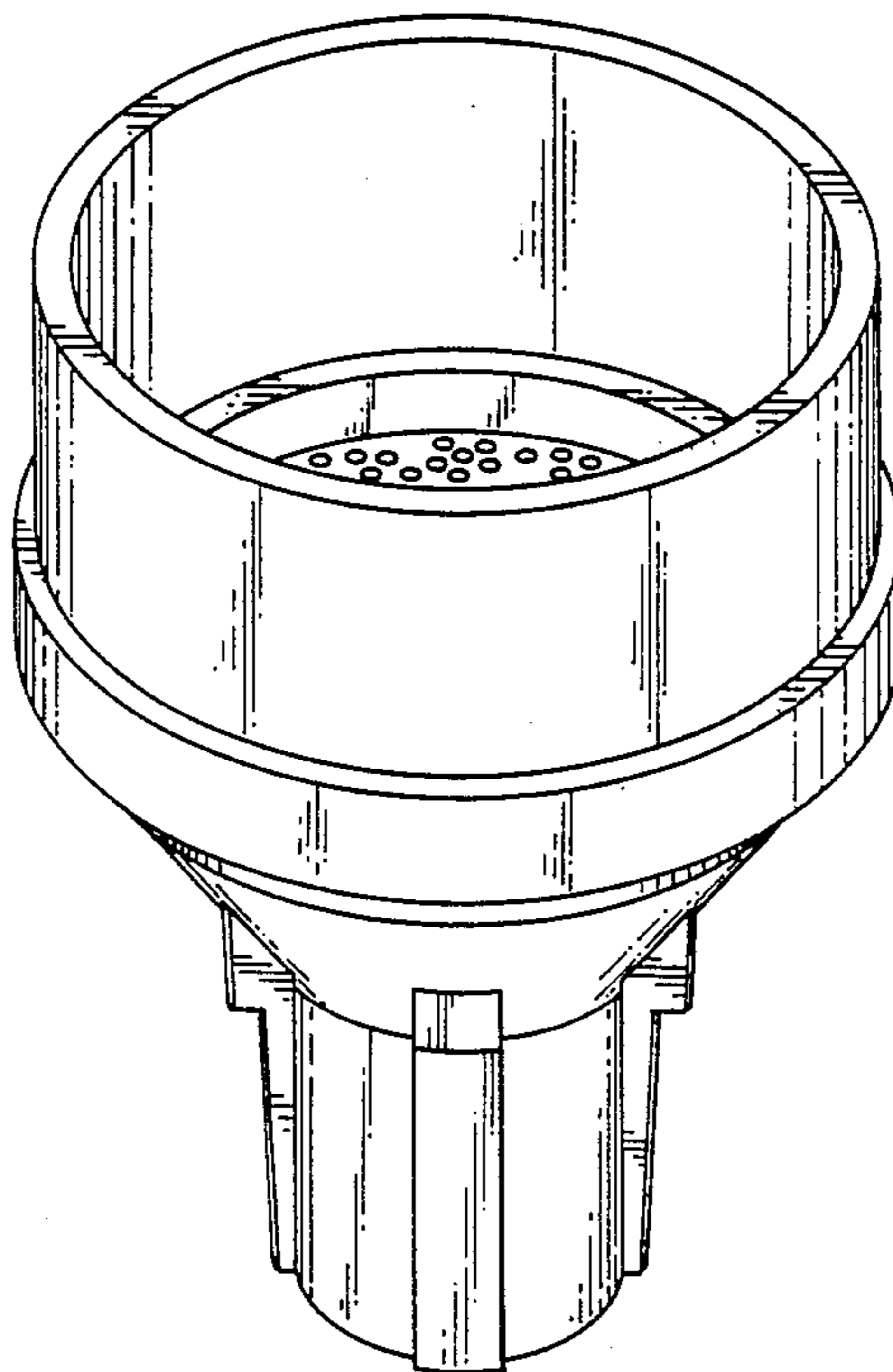
Primary Examiner—A. Hugo Word
Assistant Examiner—Stella M. Reid
Attorney, Agent, or Firm—Chernoff, Vilhauer, McClung & Stenzel

[57] **CLAIM**

The ornamental design for a funnel with filter, as shown and described.

DESCRIPTION

FIG. 1 is a perspective view of a funnel with filter showing my new design;
FIG. 2 is a front elevational view thereof, the rear elevational view and both side elevational views being identical thereto;
FIG. 3 is a top plan view thereof; and
FIG. 4 is a bottom plan view thereof.



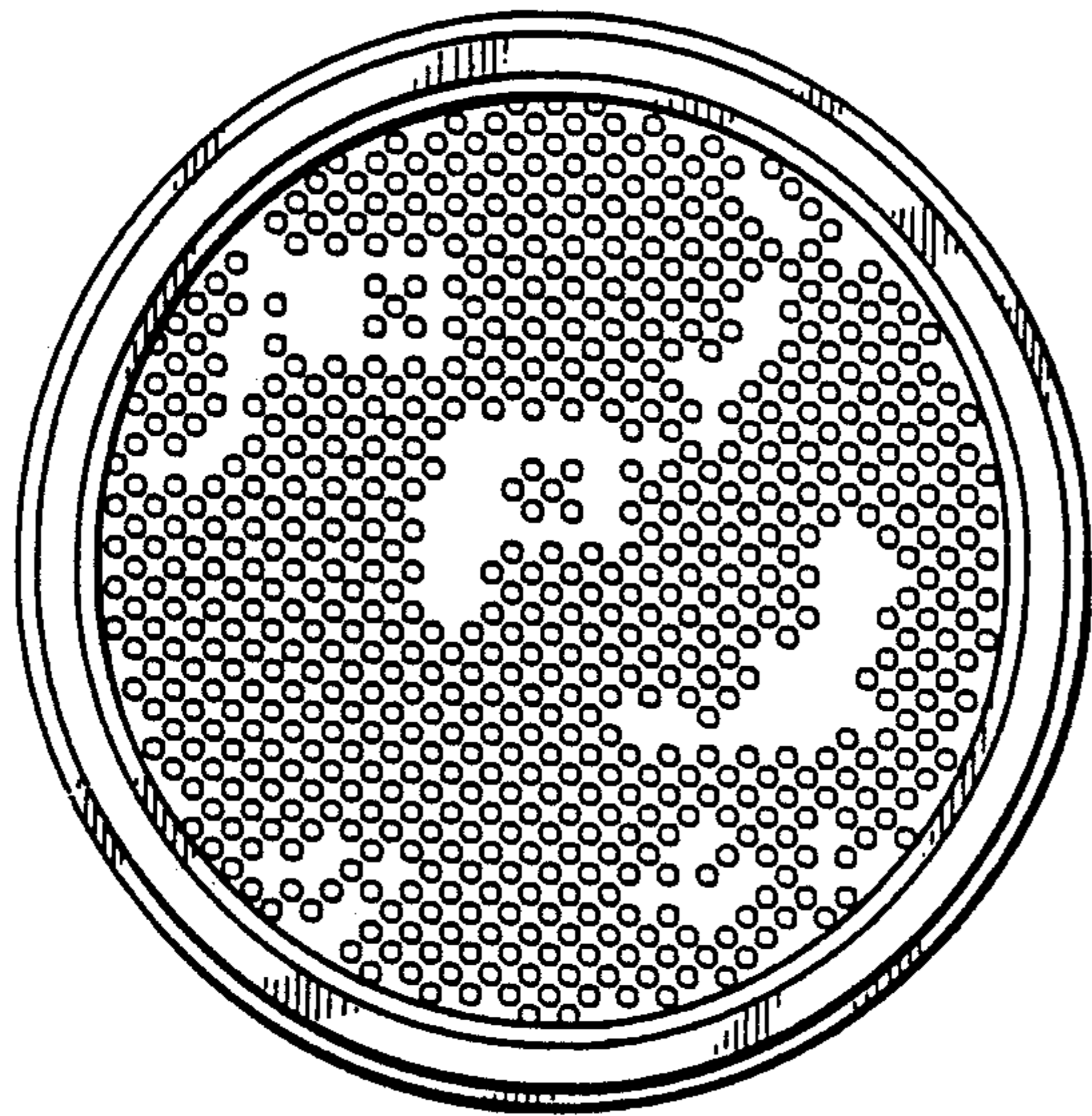


FIG. 3

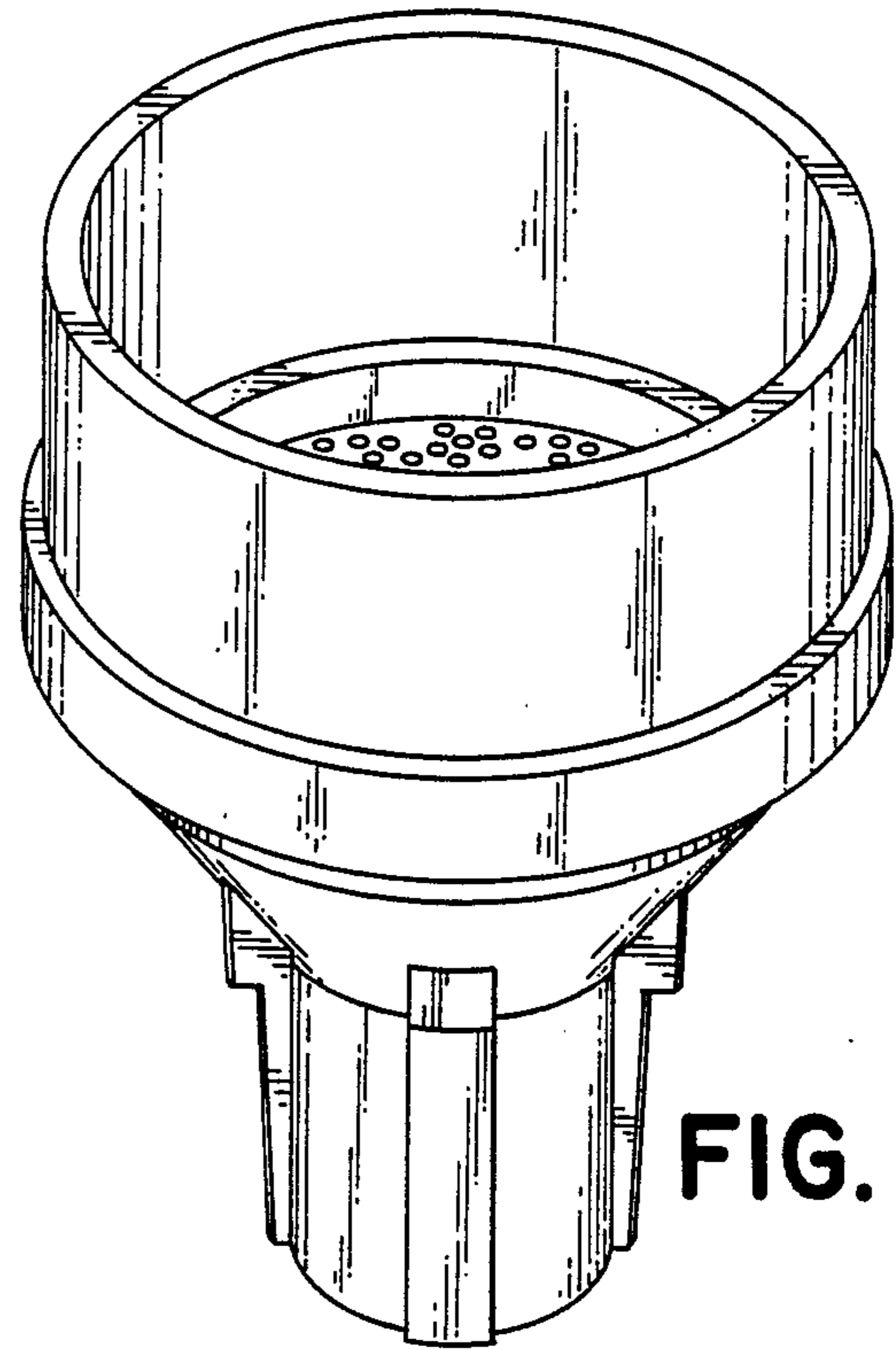


FIG. 1

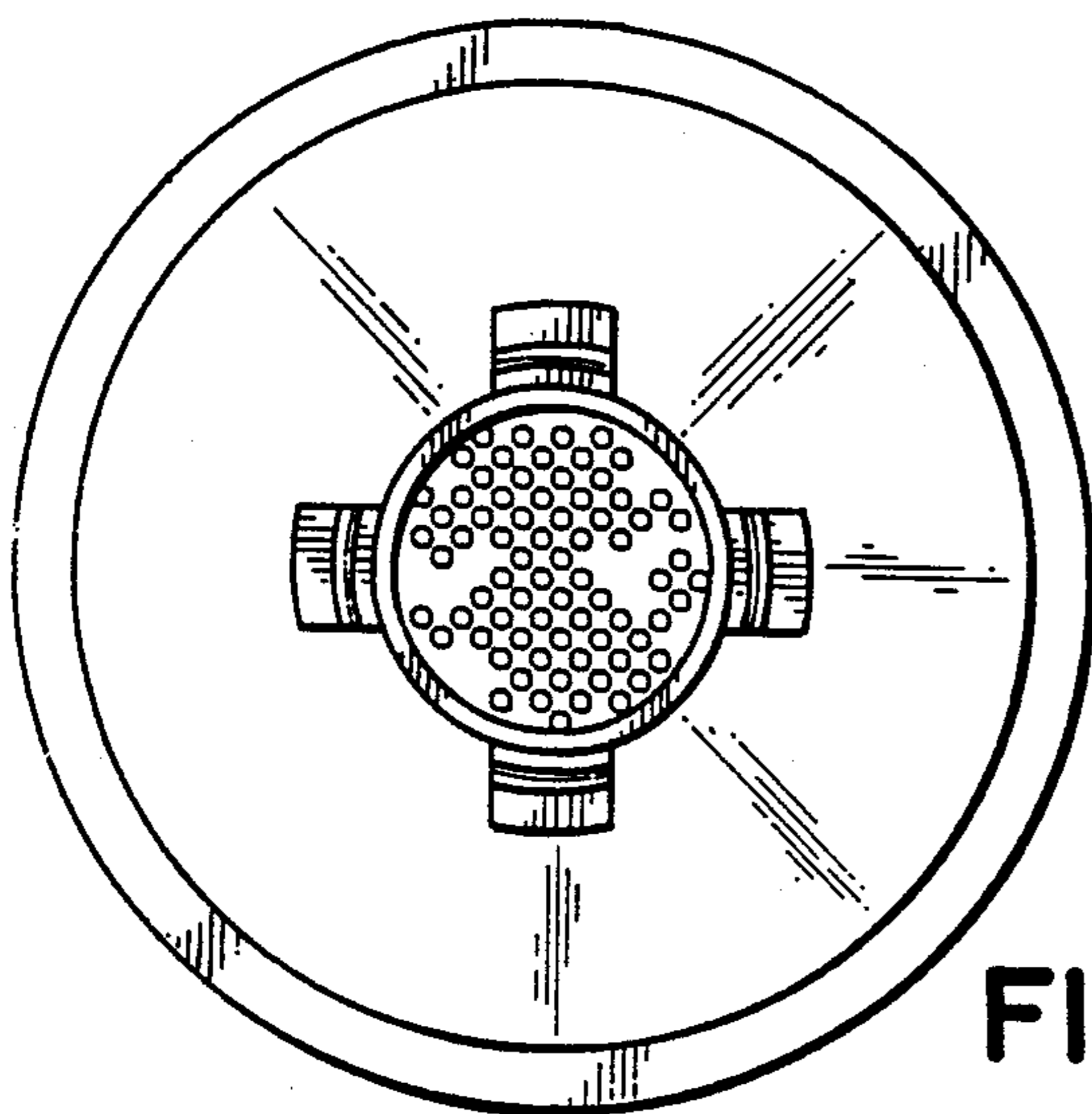


FIG. 4

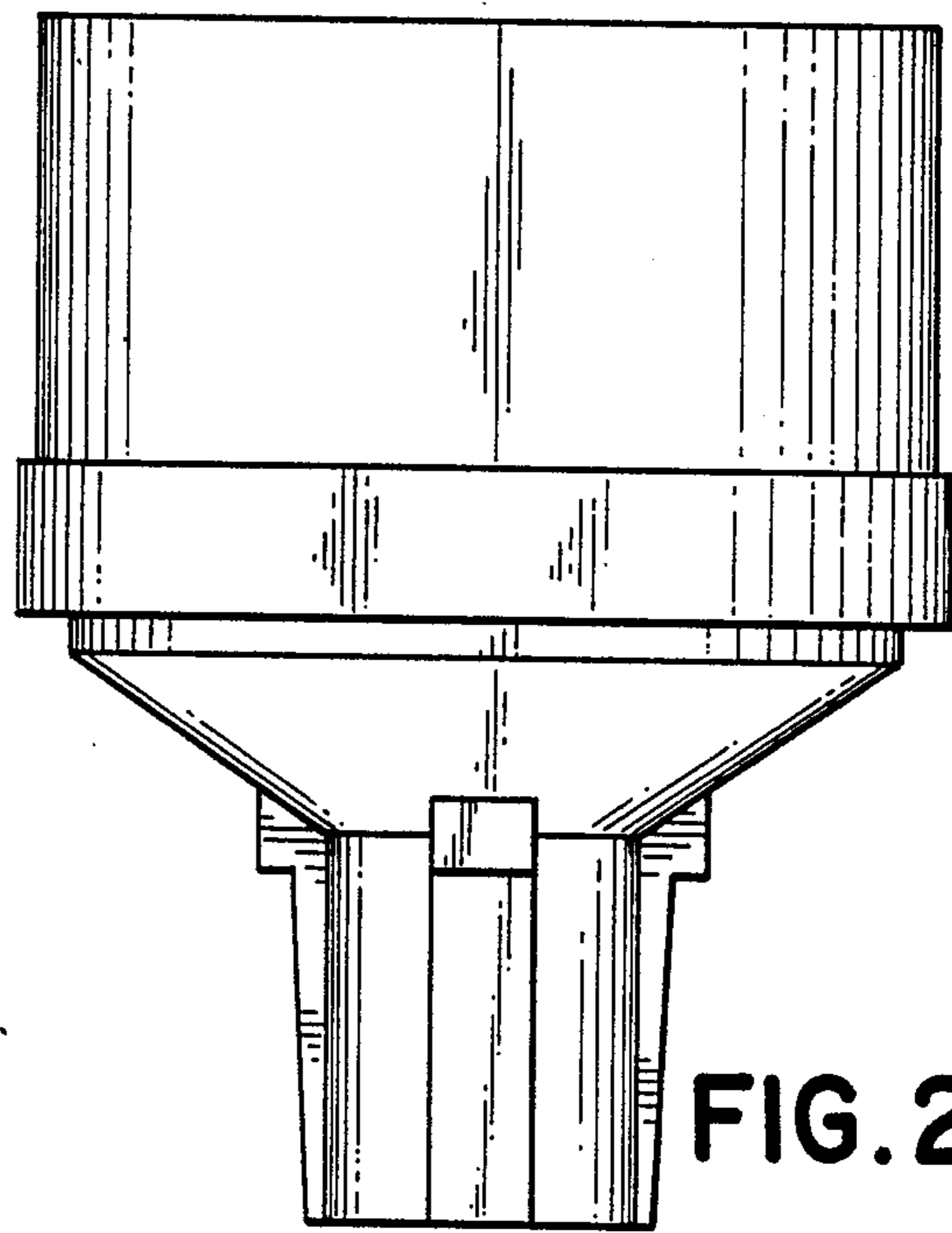


FIG. 2