

[54] COMBINED EAR AND THROAT SPECULUM

[76] Inventor: Daniel J. Pender, 325 E. Park Ave., Long Beach, N.Y. 11561

[\*\*] Term: 14 Years

[21] Appl. No.: 111,175

[22] Filed: Oct. 22, 1987

[52] U.S. Cl. .... D24/18

[58] Field of Search ..... D24/8, 23, 18; 128/9

[56] References Cited

U.S. PATENT DOCUMENTS

- 3,224,437 12/1965 Hardgrove ..... D24/18 X
- 3,848,587 11/1974 McDonald ..... 128/9
- 4,785,796 11/1988 Mattson ..... 128/9

OTHER PUBLICATIONS

Sklar Products catalog—Surgical Instruments, ©1982, Nasal Instruments, p. 279.

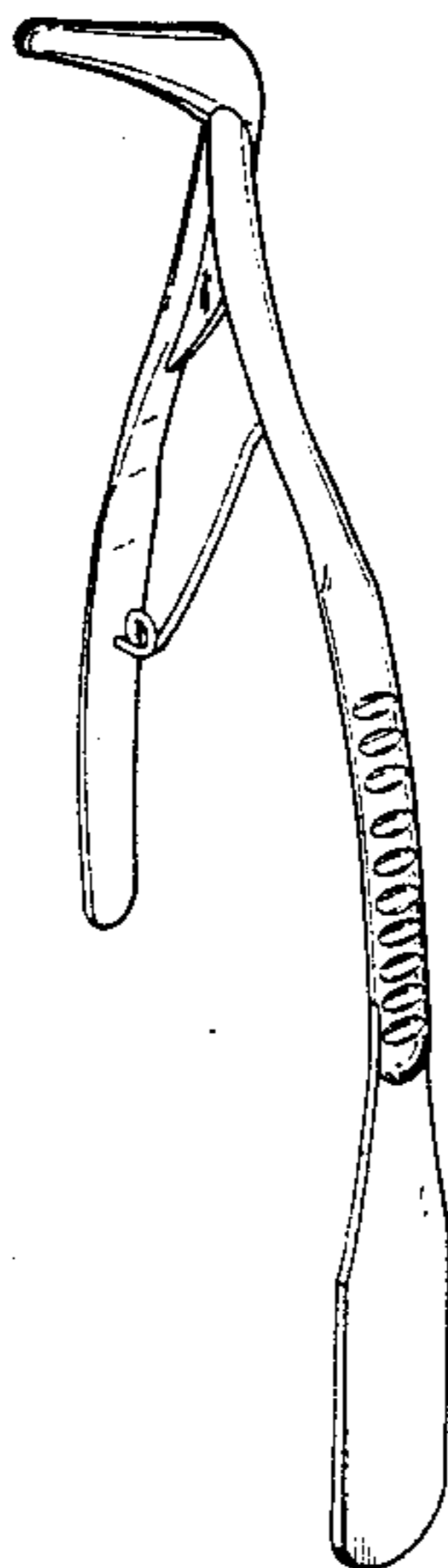
Primary Examiner—A. Hugo Word  
Assistant Examiner—Stella M. Reid  
Attorney, Agent, or Firm—Myron Amer

[57] CLAIM

The ornamental design for a combined ear and throat speculum, as shown and described.

DESCRIPTION

FIG. 1 is a perspective view of a combined ear and throat speculum showing my new design; FIG. 2 is a top plan view thereof; FIG. 3 is a front elevational view thereof; FIG. 4 is a right side elevational view thereof; FIG. 5 is a rear elevational view thereof; FIG. 6 is a left side elevational view thereof; and FIG. 7 is a bottom plan view thereof.



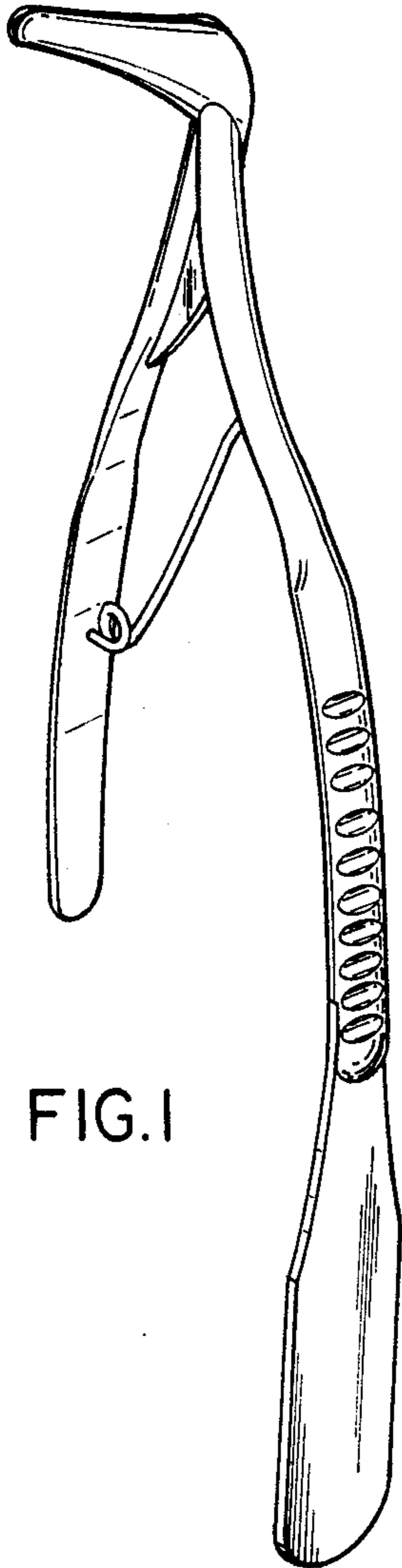


FIG. 1

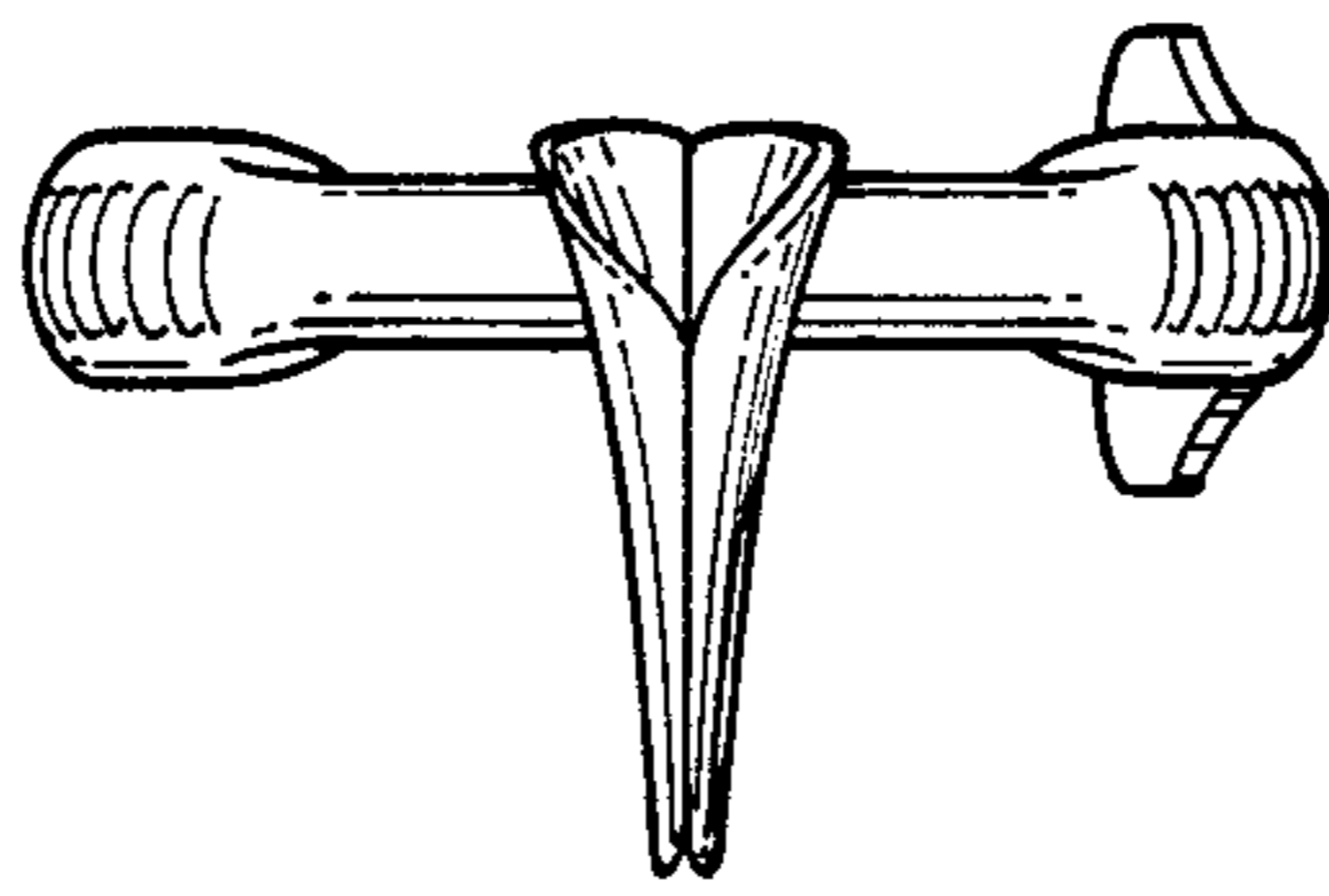


FIG. 2

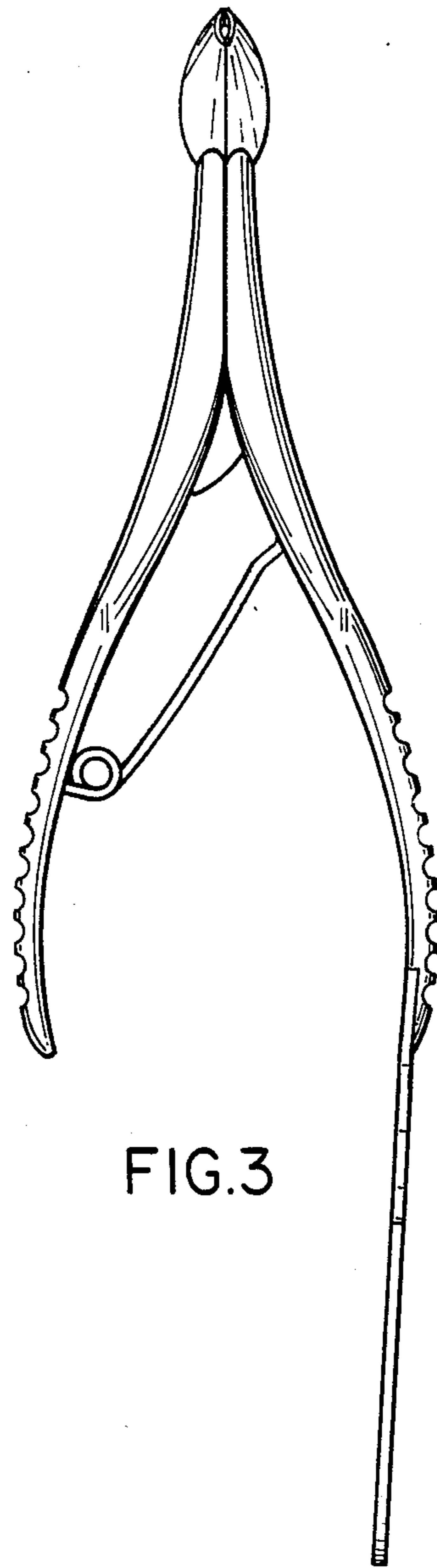


FIG. 3

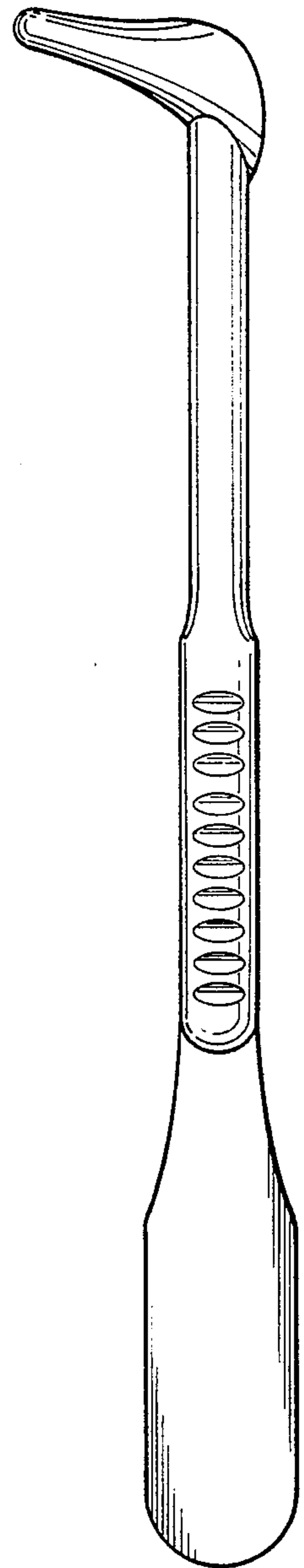


FIG. 4

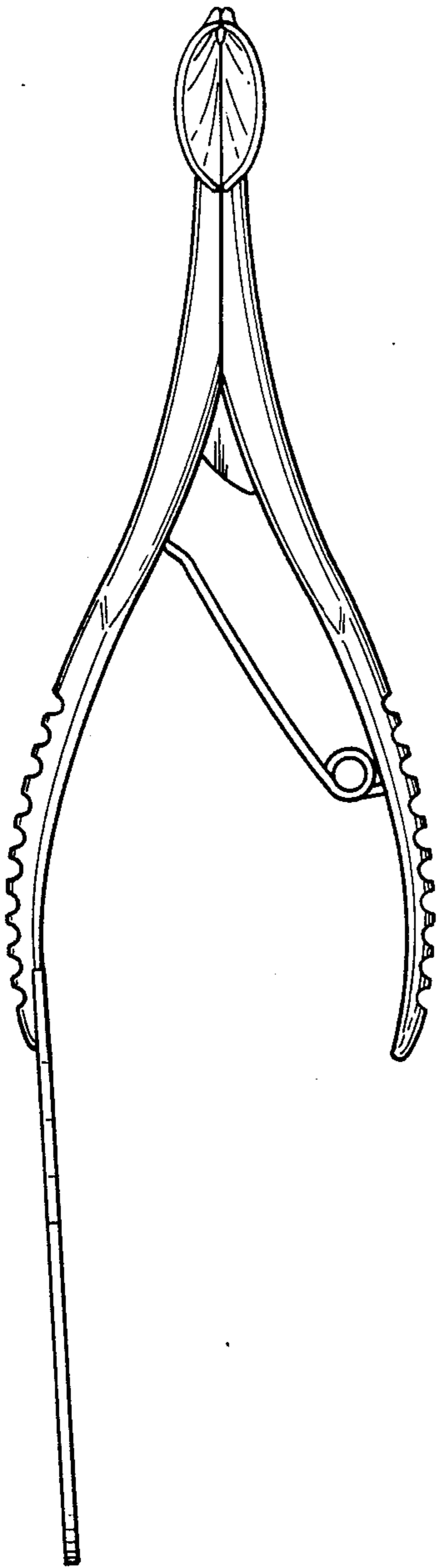


FIG. 5

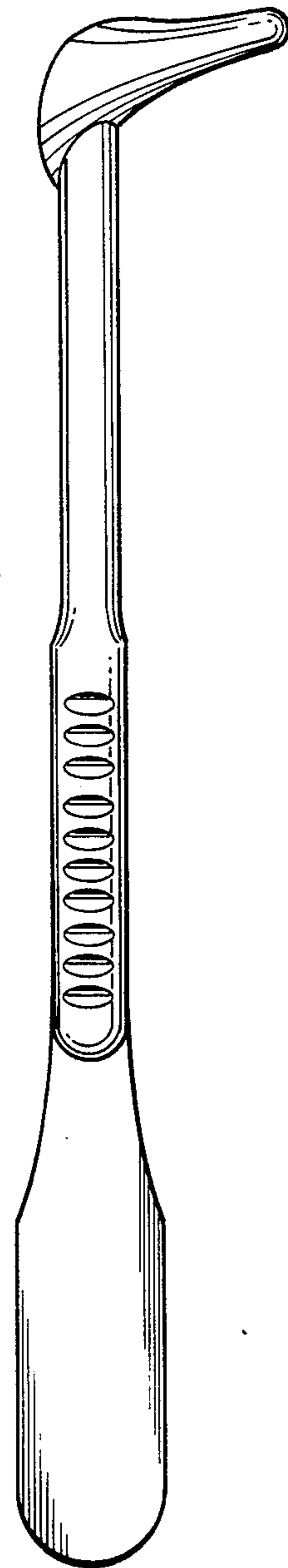


FIG. 6

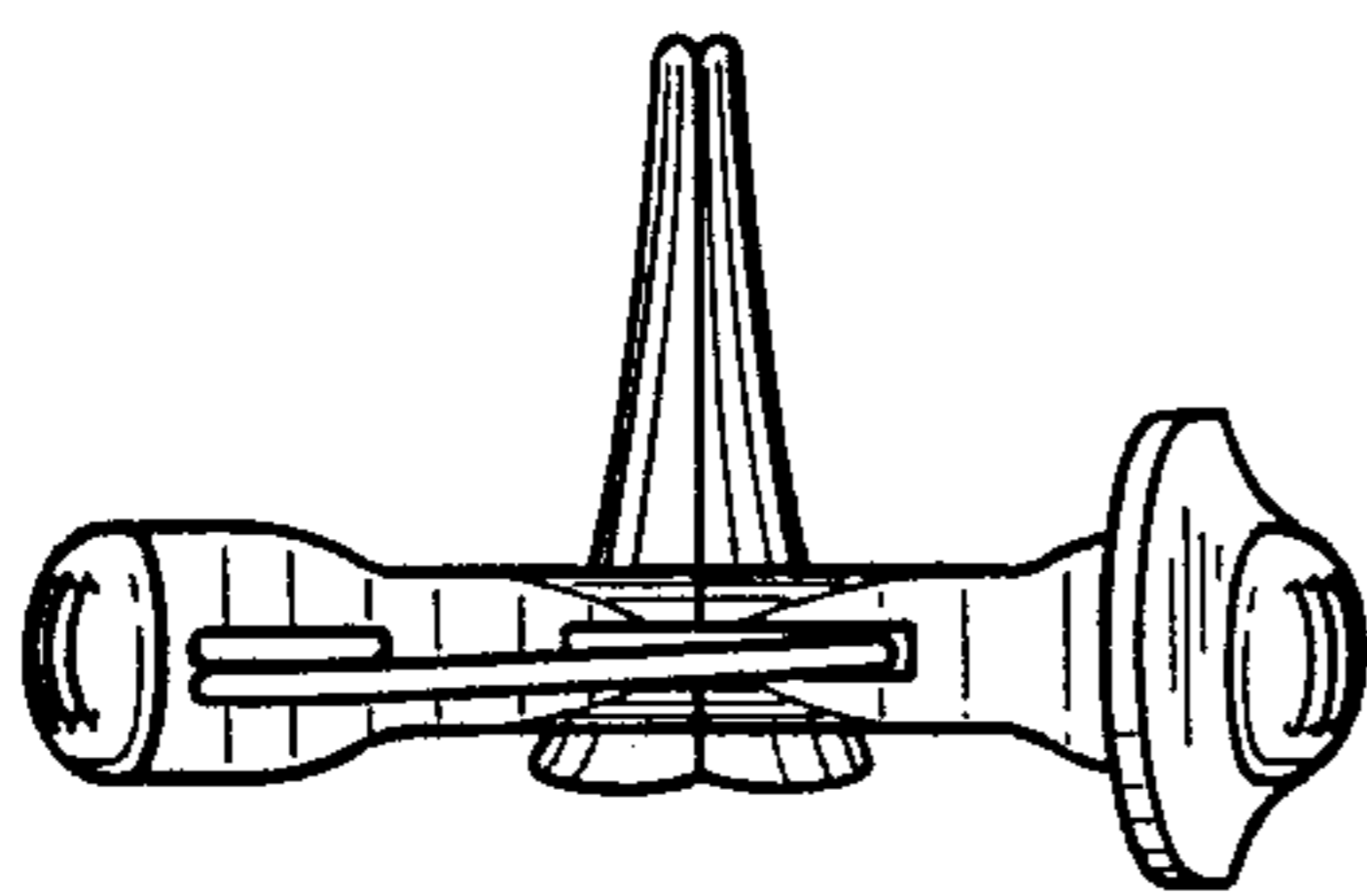


FIG. 7