

[54] TOILET TRAINER FOR CHILDREN

[76] Inventor: Chester L. Lemon, 4937 Forest Bend Rd., Dallas, Tex. 75244

[**] Term: 14 Years

[21] Appl. No.: 103,799

[22] Filed: Oct. 2, 1987

[52] U.S. Cl. D23/297

[58] Field of Search D23/296-298; D6/333, 345, 351, 359, 372; 4/254, 449, 476, 479, 480, 483

[56] References Cited

U.S. PATENT DOCUMENTS

- D. 51,730 2/1918 Marqua, Sr. D6/345 X
- D. 210,581 3/1968 Contrell D23/297
- D. 241,251 8/1976 Willis D23/297
- D. 242,456 11/1976 Willis D23/297
- D. 264,372 5/1982 Sachs D6/345

- D. 276,361 11/1984 Hyman, Sr. D23/297
- 2,290,329 7/1942 Huffman et al. 4/479 X
- 2,290,612 3/1960 Goodrich 4/479 X
- 4,174,544 11/1979 Furusawa 4/476 X
- 4,373,715 2/1983 Henn 4/476 X

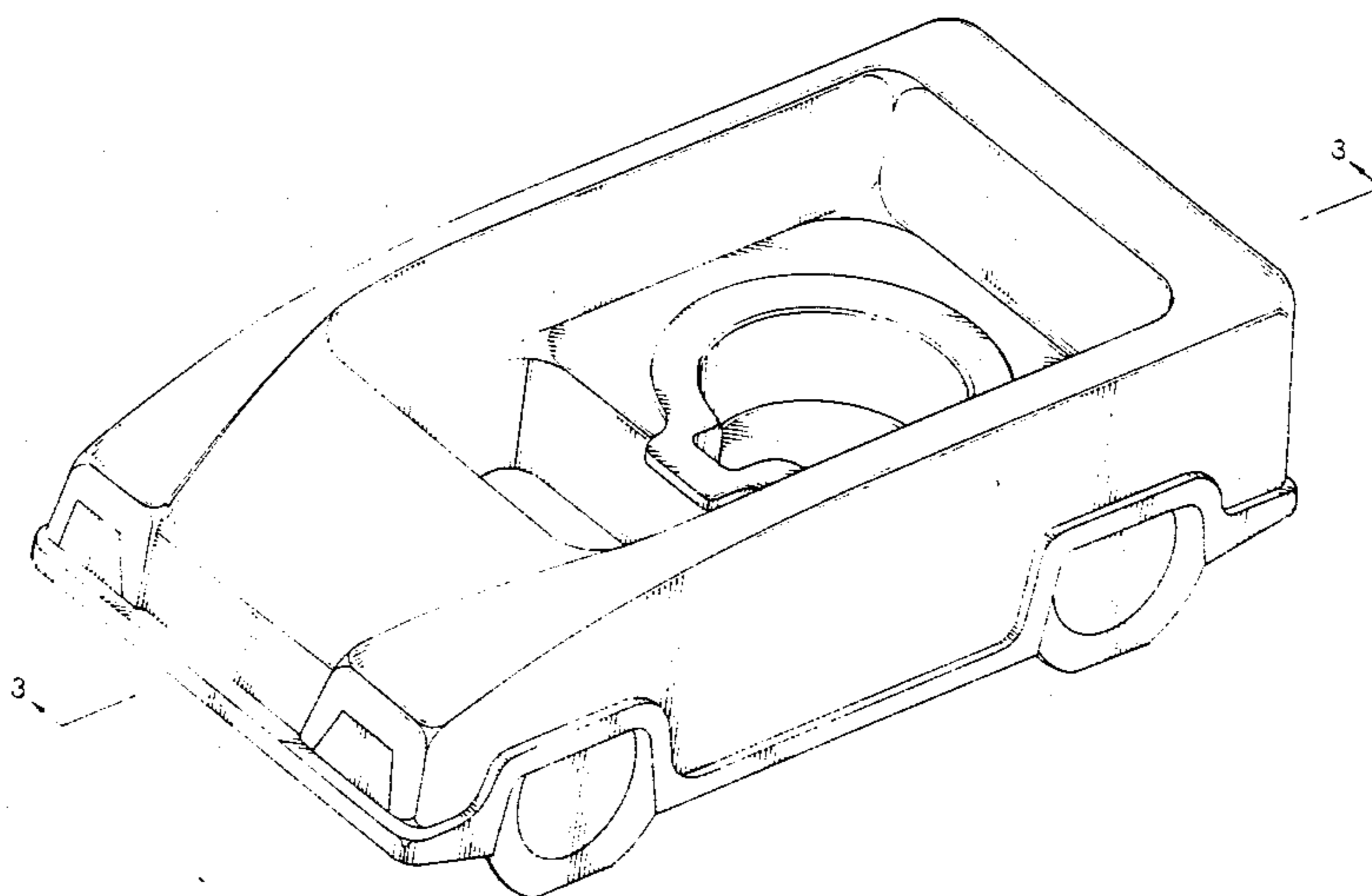
Primary Examiner—James R. Largen
Attorney, Agent, or Firm—Pravel, Gambrell, Hewitt, Kimball & Krieger

[57] CLAIM

The ornamental design for toilet trainer for children, as shown and described.

DESCRIPTION

FIG. 1 is a perspective view taken from the top, front and right side of a toilet trainer for children showing my new design;
FIG. 2 is a perspective view taken from the bottom, rear and left side thereof; and
FIG. 3 is a cross-sectional view taken on line 3—3 of FIG. 1.



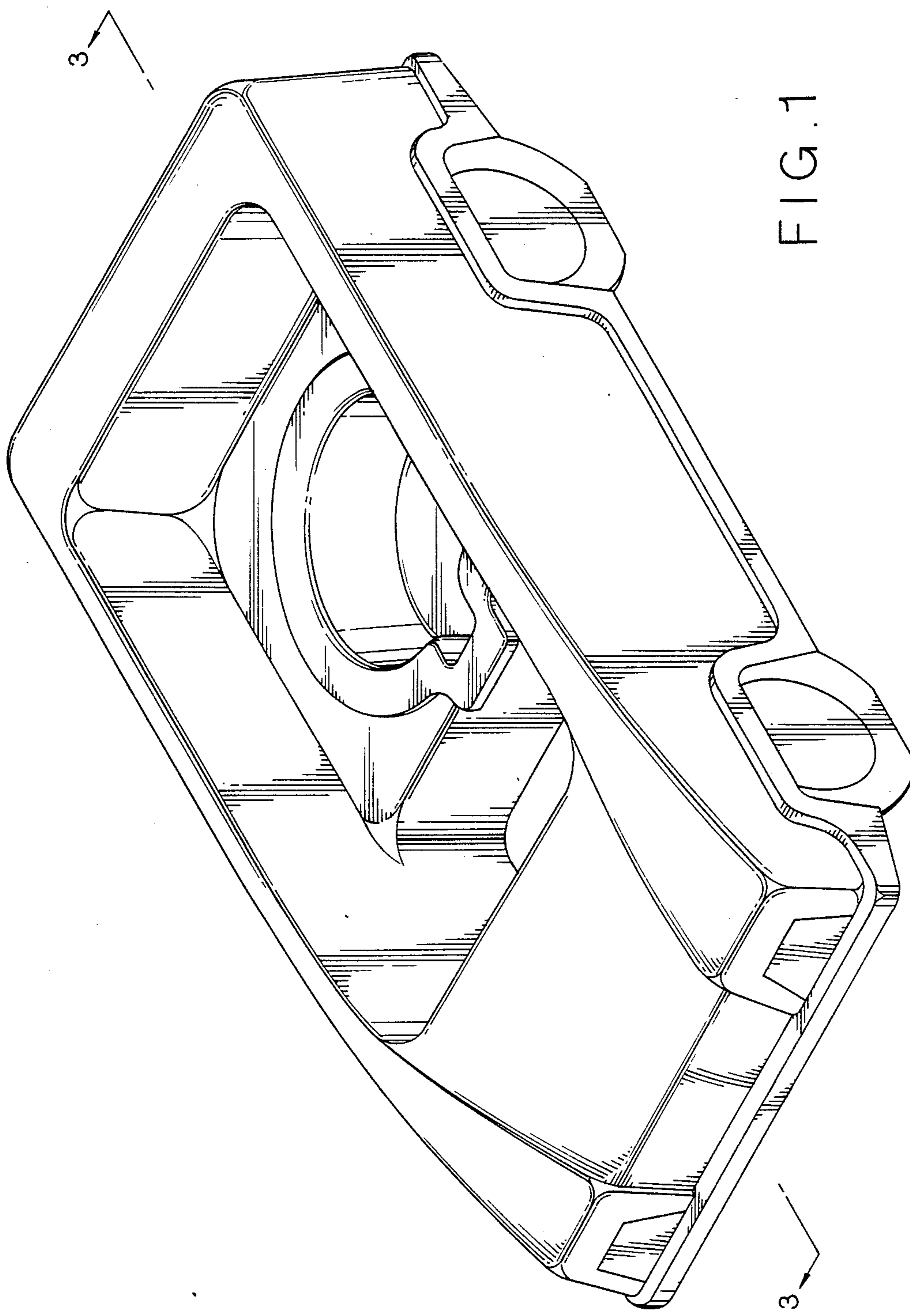


FIG. 1

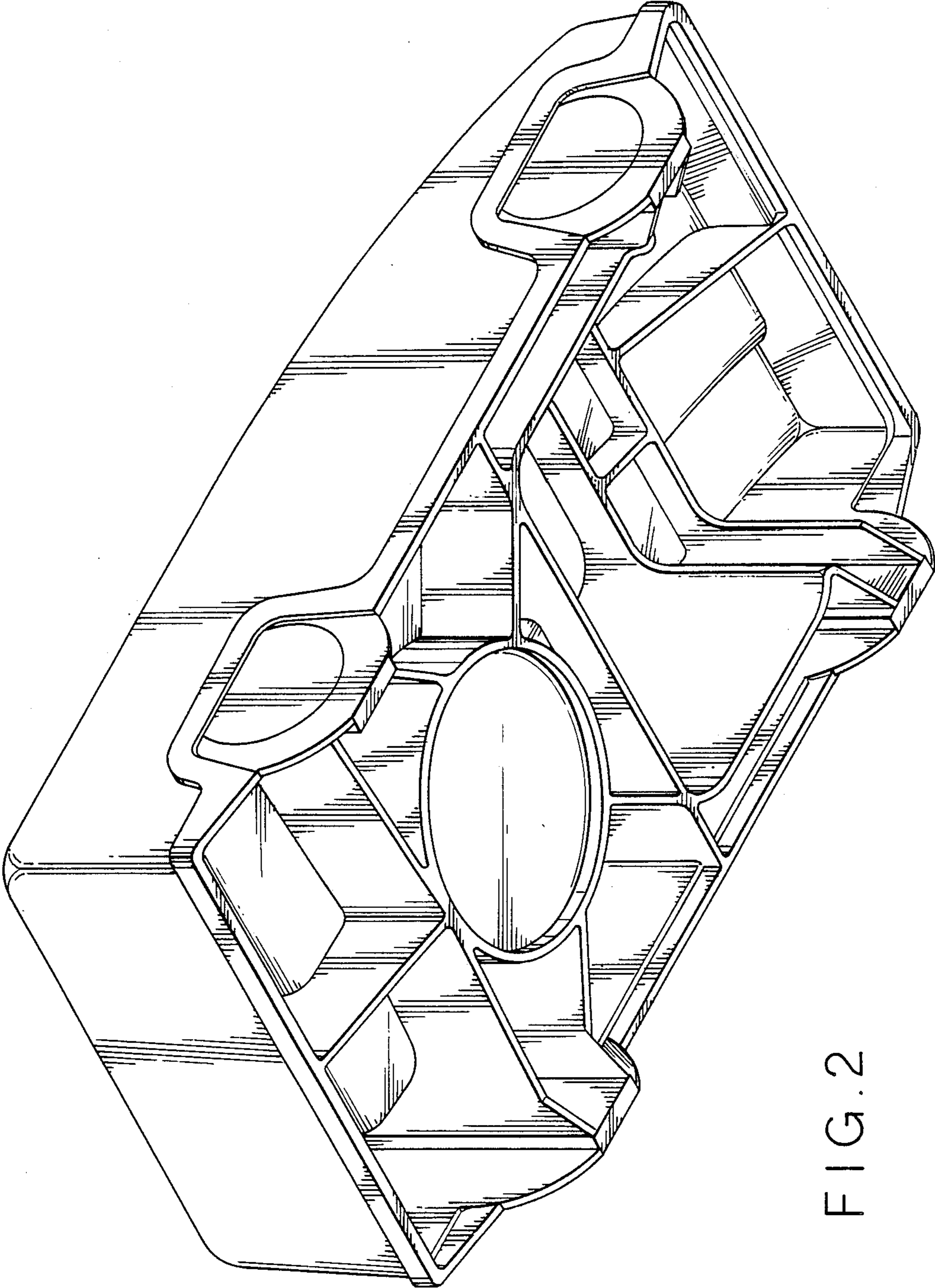


FIG. 2

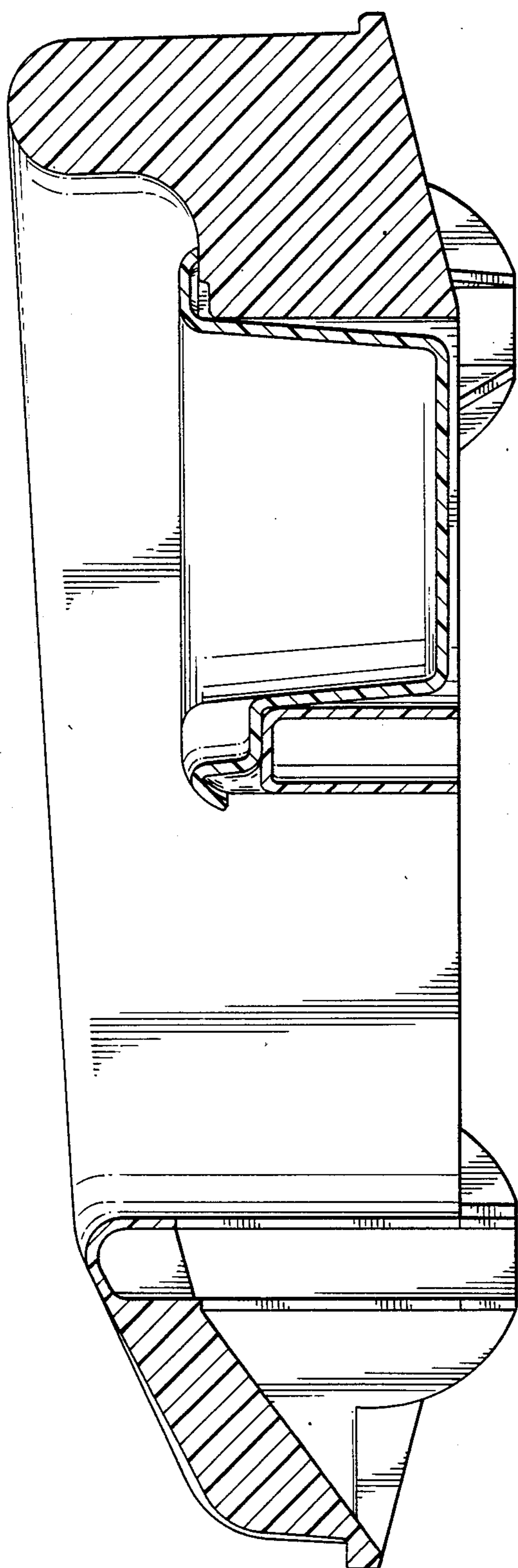


FIG. 3