

[54] **AIRLESS PAINT SPRAYER**

[75] **Inventor: James F. Mariol, Cincinnati, Ohio**

[73] **Assignee: Scott & Fetzer Company, Westlake, Ohio**

[**] **Term: 14 Years**

[21] **Appl. No.: 8,646**

[22] **Filed: Jan. 29, 1987**

[52] **U.S. Cl. D23/225**

[58] **Field of Search 239/8, 146, 147, 148,
239/149, 302; 222/175, 608, 609, 610; D23/225,
226**

[56] **References Cited**

U.S. PATENT DOCUMENTS

D. 284,210	6/1986	Rattray et al.	D23/225
3,797,743	3/1974	Kommers et al.	239/149 X
3,940,065	2/1976	Ware et al.	239/302 X

OTHER PUBLICATIONS

Wagner Pro-Series advertisement ©1984, Airless Pump, Item 1250.

Primary Examiner—Susan J. Lucas
Assistant Examiner—M. H. Tung
Attorney, Agent, or Firm—Mark J. Patterson

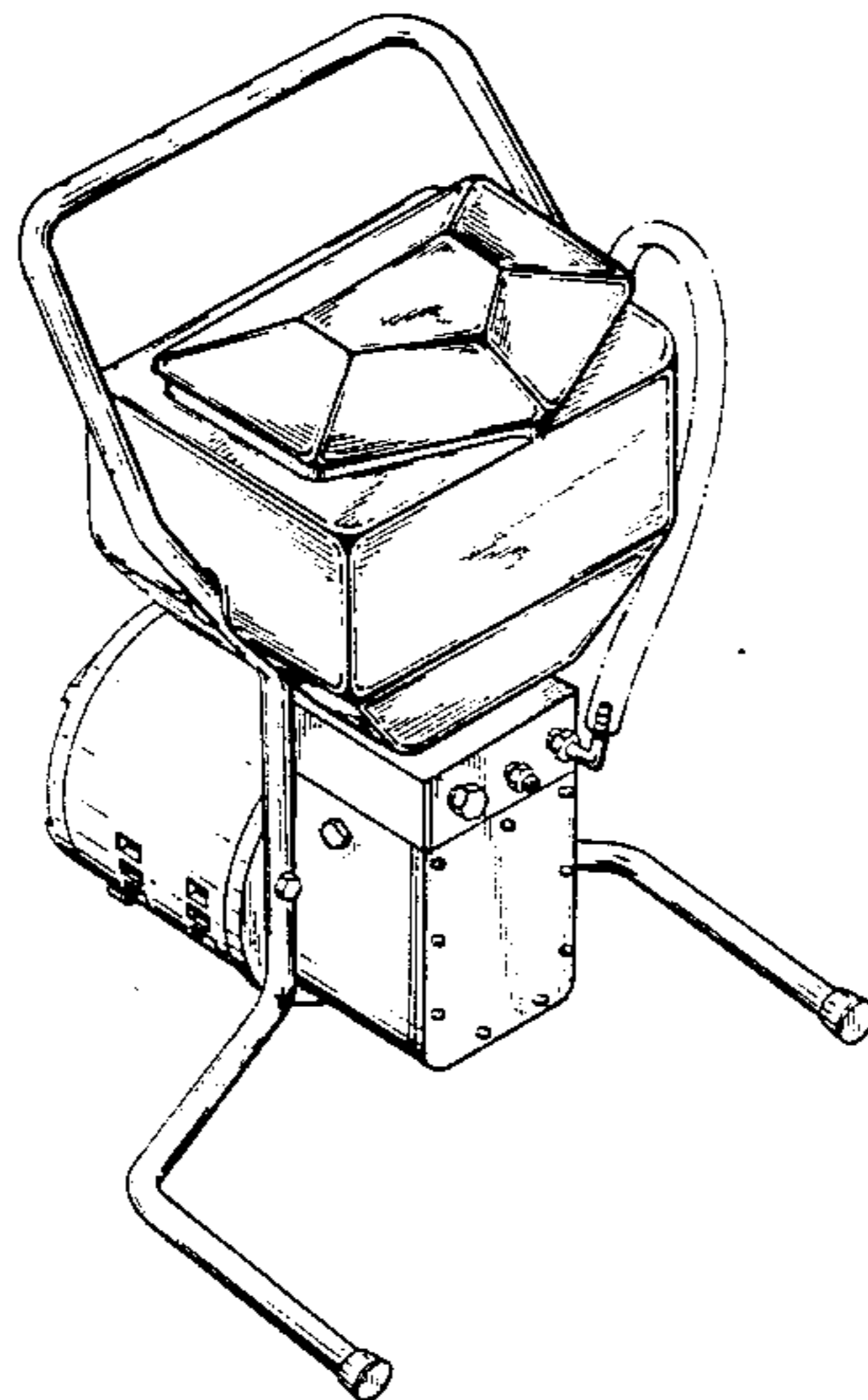
[57] **CLAIM**

The ornamental design for an airless paint sprayer, as shown and described.

DESCRIPTION

FIG. 1 is a top plan view of an airless paint sprayer showing my new design;
FIG. 2 is a side elevational view thereof;
FIG. 3 is a front elevational view thereof;
FIG. 4 is an elevational view thereof as seen from the opposite side of FIG. 2;
FIG. 5 is a rear elevational view thereof; and
FIG. 6 is a perspective view thereof as seen from the top and front.

The broken lines of a hose are for illustrative purposes only and form no part of the claimed design.



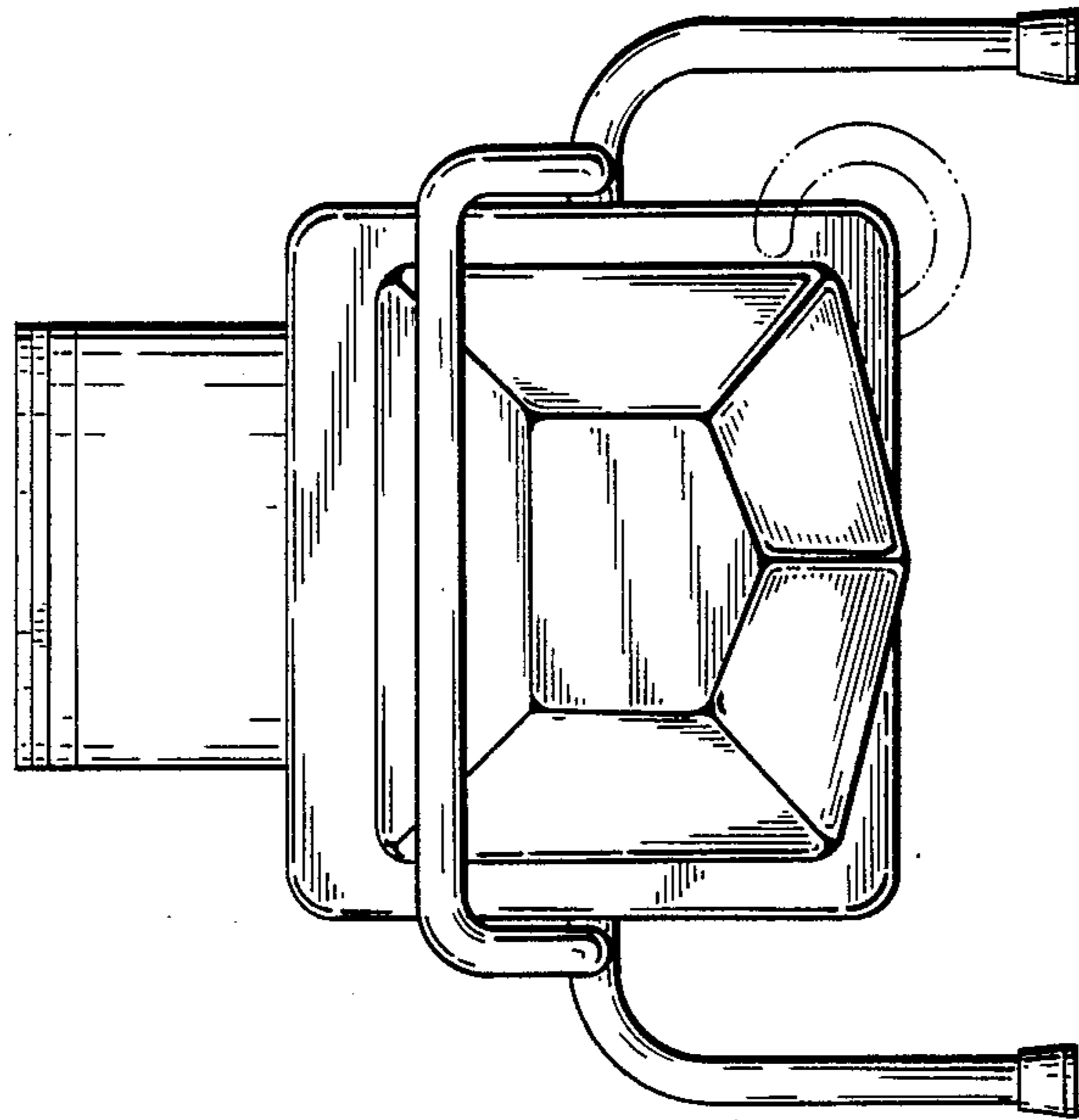


FIG 1

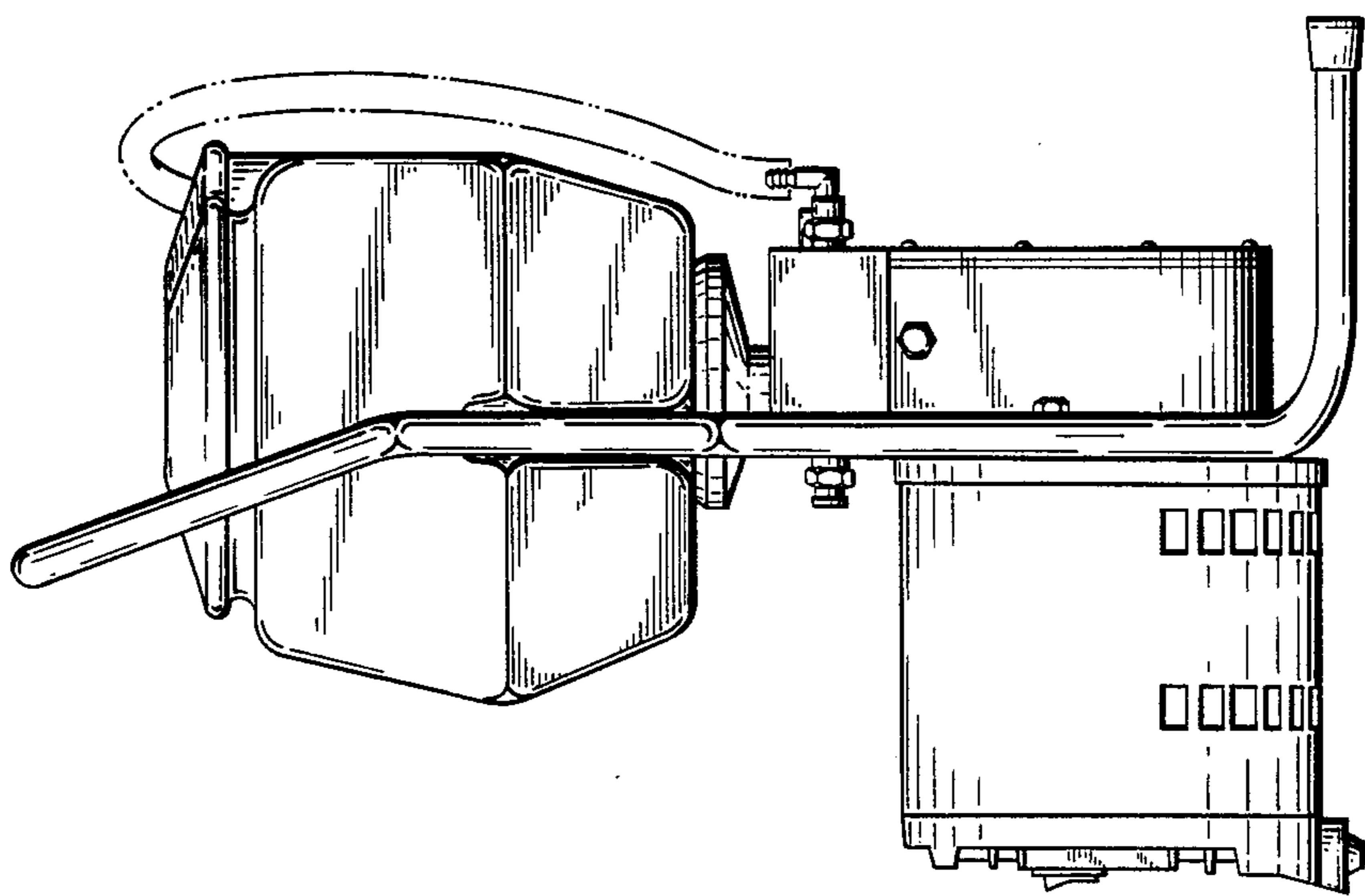


FIG 2

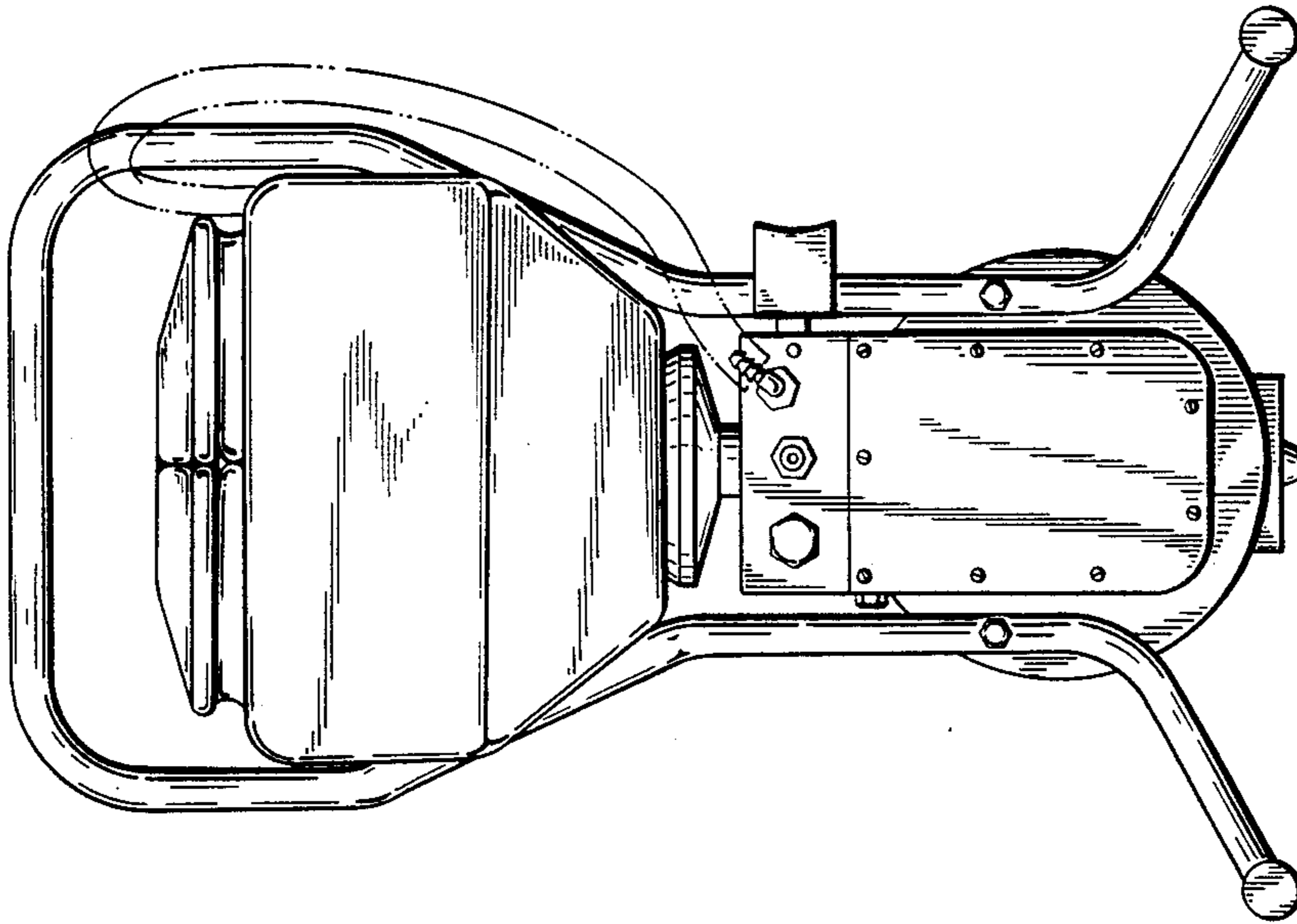


FIG 3

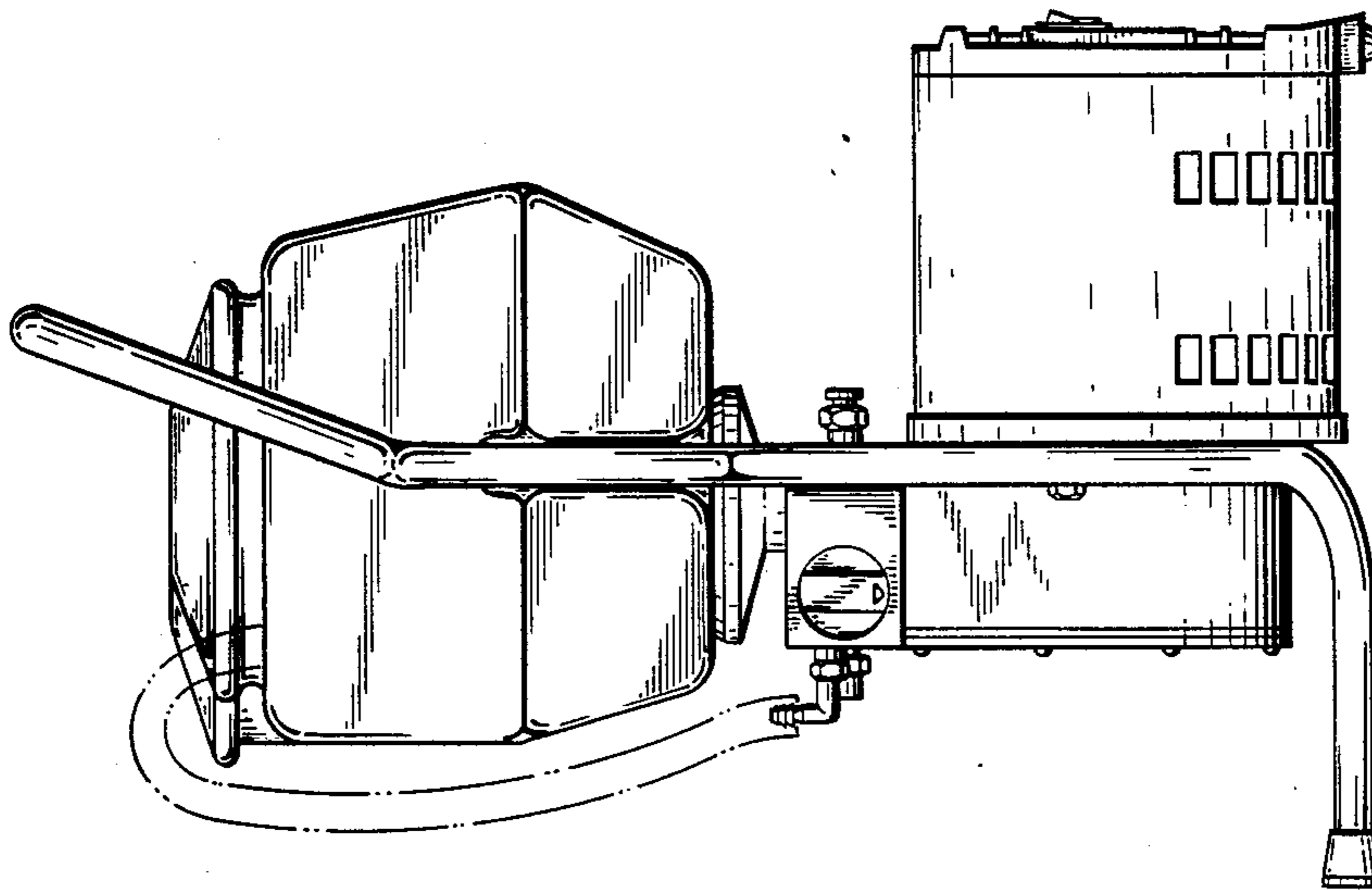


FIG 4

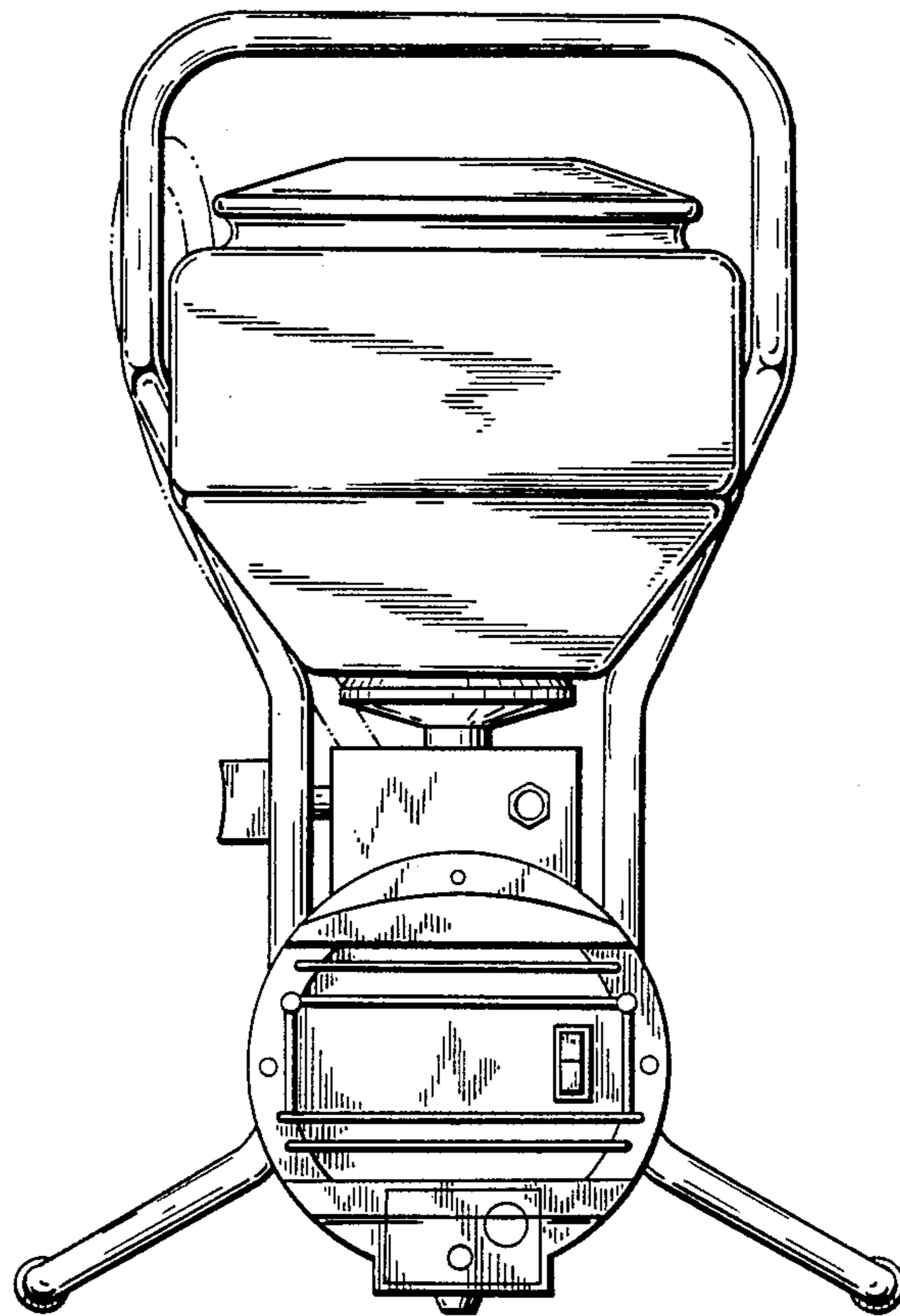


FIG 5

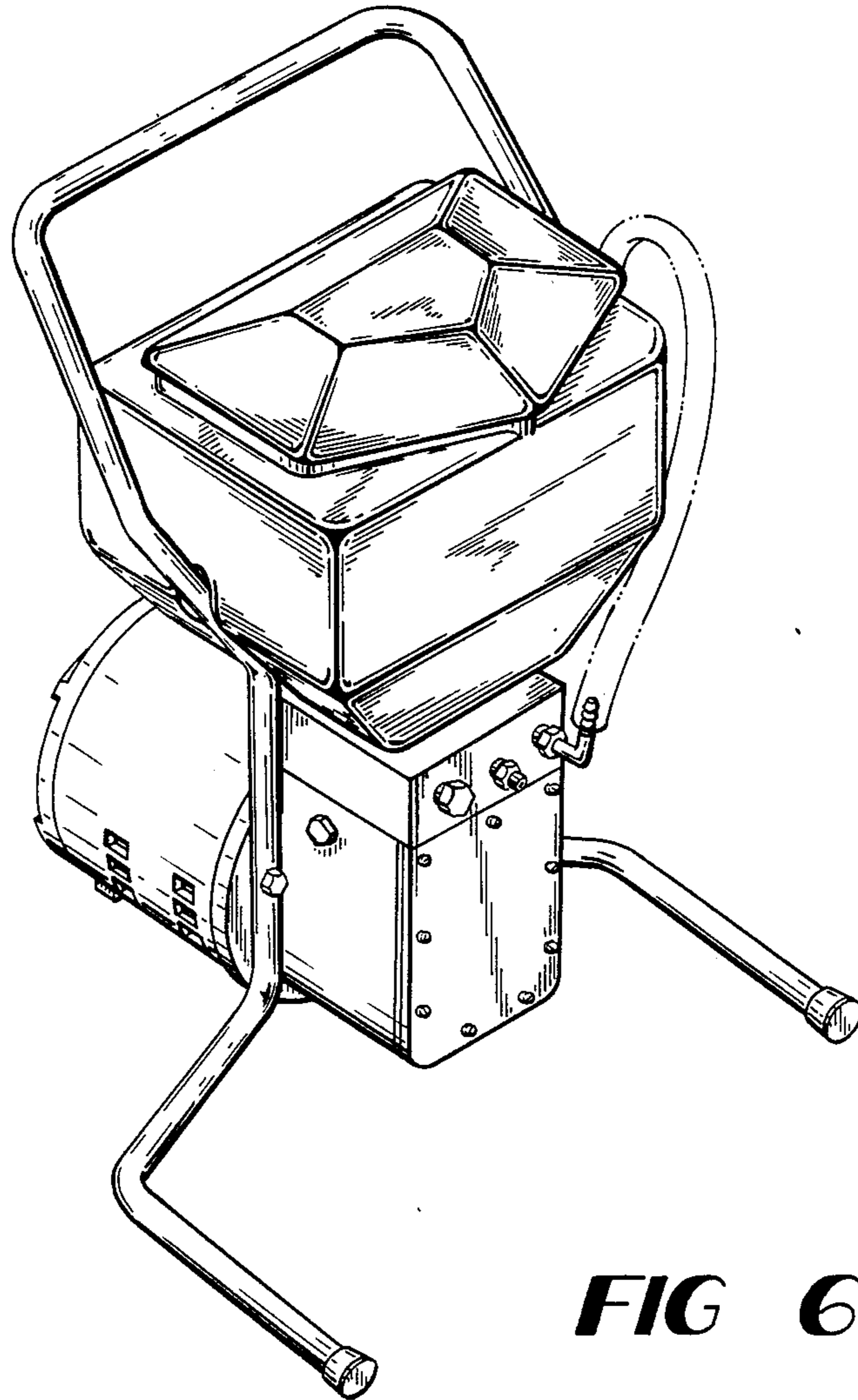


FIG 6